



OWNER'S MANUAL

807 MODULAR

INSTALLATION, OPERATION, MAINTENANCE & PARTS

**NOTE: MANUAL including SPECIFICATIONS, subject to change without notice
All ratings specified are based on structural factors only,
not vehicle capacities or capabilities.**



Miller Industries Towing Equipment Inc.
8503 Hilltop Drive
Ooltewah, Tennessee 37363
Phone (423) 238-7227 • FAX (423) 238-7237

FORM NO. 0501648
10 / 07
PRICE \$25.00

Section VI - PARTS

This Section is provided by the manufacturer for the purpose of ordering any component part of the **Vulcan 807 Wrecker** that may be required when part replacement is necessary. Be certain to use only original equipment replacement parts for warranty purposes as well as for keeping your **Vulcan 807 Wrecker** in its original state and optimum operating capacities.

When ordering replacement or spare parts be sure to provide the following information to the manufacturer's **Parts Department**.

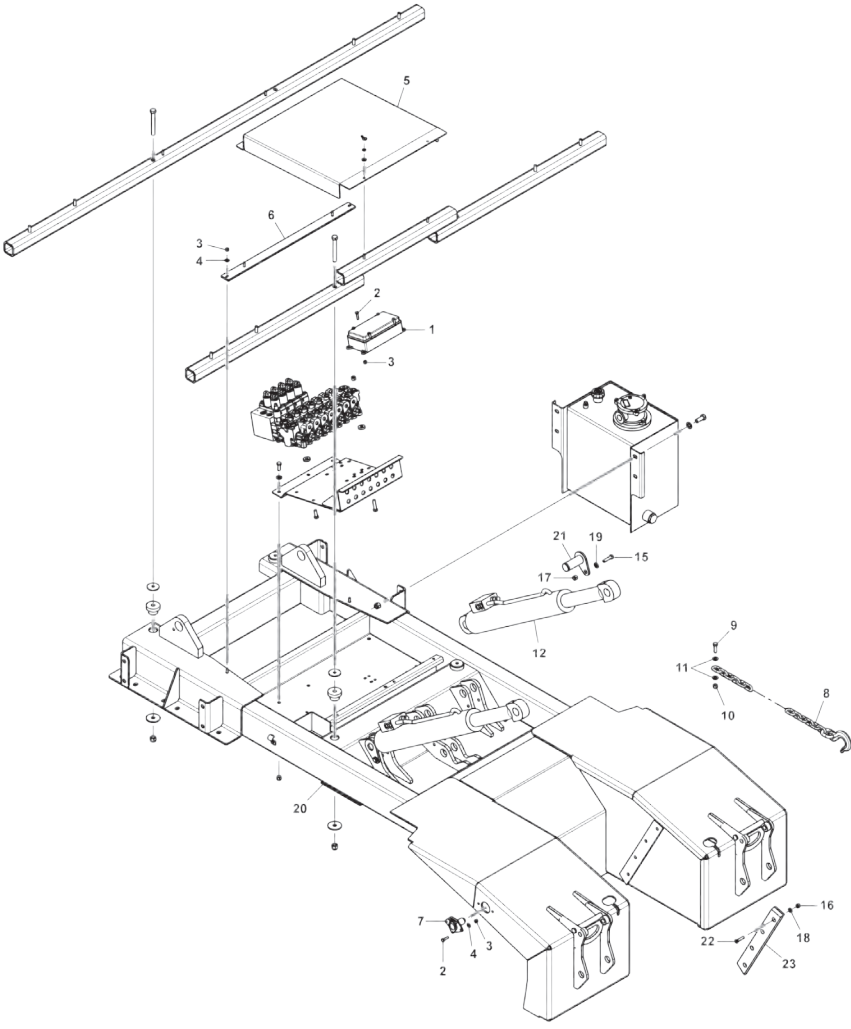
1. **Manual Number & Date of Publication**
2. **Manual Page Number**
3. **Page Title**
4. **Reference Number of Part Desired**
5. **Part Number**
6. **Part Description**
7. **Quantity of Part Desired**

Providing this information will help ensure that the correct parts will be delivered to you in an expedient manner without delay. Should additional information be required for repair or replacement of certain components, contact your Wrecker Manufacturer Authorized Representative.

The Manufacturer reserves the right, without notice or obligation, to improve or modify their products, which may change the specifications, models and feature availability.

Section VI - PARTS (cont'd)

SUBFRAME ASSEMBLY



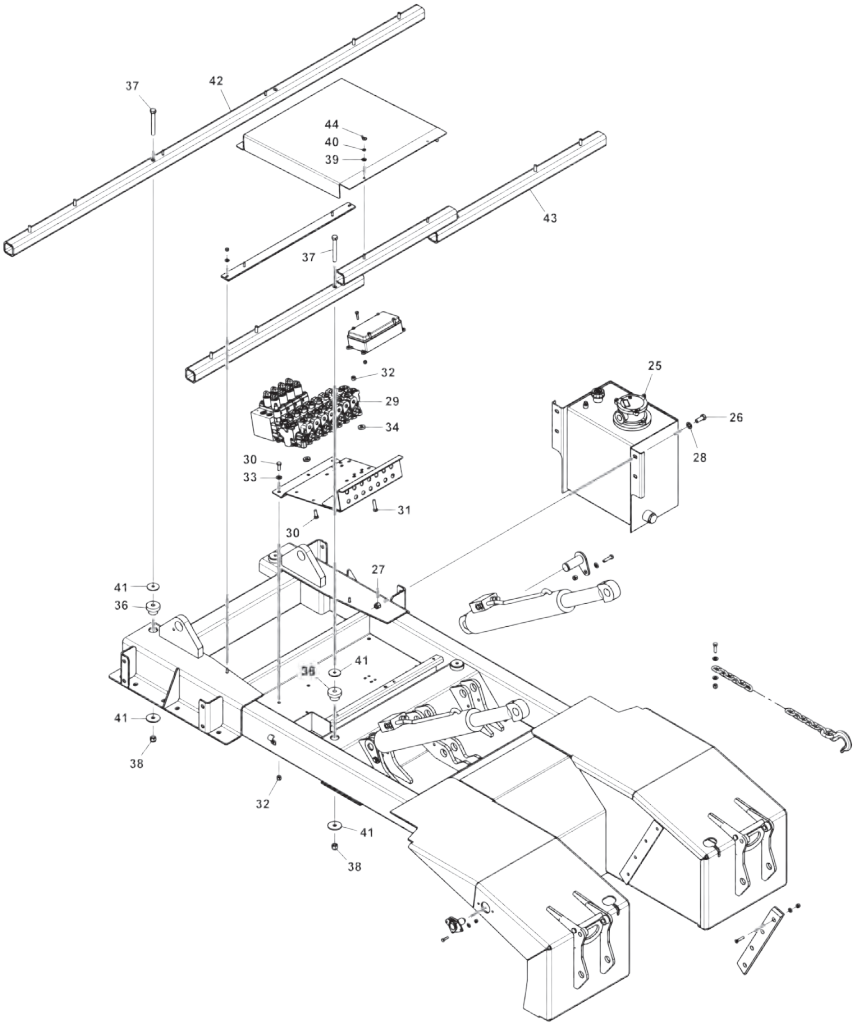
Section VI - PARTS (cont'd)

SUBFRAME ASSEMBLY

REF. NO.	NO. REQ'D	PART NUMBER	DESCRIPTION
1	1	0303385	JUNCTION BOX, 10 POLE
2	4	0400070	SCREW, 1/4"-20 X 1" HEX HD CAP GR5 ZP
3	6	0400367	NUT, 1/4"-20 NYLOK HEX ZP
4	4	0400451	WASHER, 1/4" FLAT ZP
5	1	0718261	PLATE, VALVE COVER
6	1	0806857	VALVE COVER SUPPORT BAR WELDMENT
7	1	124001934	CONNECTOR PLUG, 4-PIN
--	--	0901420	SAFETY CHAIN KIT
8	2	0307383	CHAIN ASSEMBLY, 5/16" G7 X 12'
9	2	0400122	SCREW, 3/8"-16 X 1-1/4" HEX HD CAP GR5 ZP
10	2	0400392	NUT, 3/8"-16 NYLOK HEX ZP
11	4	0400480	WASHER, 3/8" FLAT ZP
--	--	0908388	SUBFRAME ASSEMBLY
12	2	0307575	CYLINDER, HYDRAULIC S30017832SS
13	2	0307600	SHIM, CYLINDER 0.125" THICK
14	2	0307601	SHIM, CYLINDER 0.062" THICK
15	2	0400132	SCREW, 3/8"-16 X 1-1/2" HEX HD CAP GR5 ZP
16	8	0400382	NUT, 5/16"-18 NYLOK HEX ZP
17	2	0400392	NUT, 3/8"-16 NYLOK HEX ZP
18	8	0400463	WASHER, 5/16" FLAT ZP
19	2	0400480	WASHER, 3/8" FLAT ZP
20	1	0806834	SUBFRAME WELDMENT, EXPRESS
21	2	0806854	PIN WELDMENT
22	8	9043973	SCREW, 5/16"-18 X 1-1/2" FL HD SKT
23	2	805040011	VERTICAL BOOM GUIDE PAD
24	1	810740001	WIRING HARNESS, 810

Section VI - PARTS (cont'd)

SUBFRAME ASSEMBLY (cont'd)



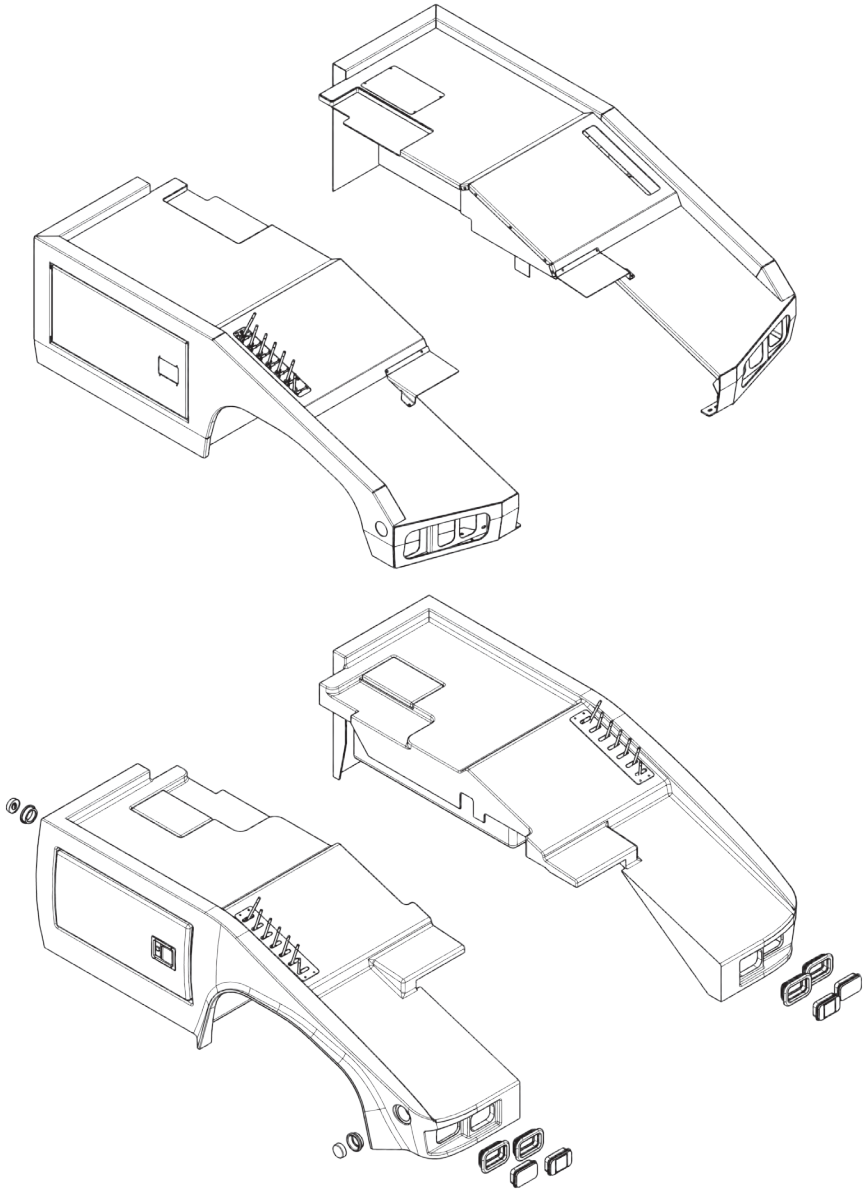
Section VI - PARTS (cont'd)

SUBFRAME ASSEMBLY (cont'd)

REF. NO.	NO. REQ'D	PART NUMBER	DESCRIPTION
25	1	805031500	HYDRAULIC TANK ASSEMBLY
26	4	0400177	SCREW, 1/2"-13 X 1-1/4" HEX HD CAP GR5 ZP
27	4	0400408	NUT, 1/2"-13 NYLOK HEX ZP
28	4	0400492	WASHER, 1/2" FLAT ZP
--	--	0908396	7-SPOOL VALVE PLATE ASSEMBLY
29	1	0307573	7-SPOOL VALVE, HUSCO
30	4	0400126	SCREW, 3/8"-16 X 1" HEX HD CAP GR5 ZP.
31	2	0400132	SCREW, 3/8"-16 X 1-1/2" HEX HD CAP GR5 ZP
32	6	0400392	NUT, 3/8"-16 NYLOK HEX ZP
33	2	0400480	WASHER, 3/8" FLAT ZP
34	3	0718262	VALVE SPACER PLATE
35	1	0806850	VALVE MOUNTING BRACKET WELDMENT
--	--	--	MODULAR BODY INSTALL
36	4	0306680	RUBBER "T" MOUNT LTI 20203
37	4	0400237	SCREW, 1/2"-13 X 4" HEX HD CAP GR5 ZP
38	4	0400408	NUT, 1/2"-13 NYLOK HEX ZP
39	6	0400451	WASHER, 1/4" FLAT ZP
40	6	0400452	LOCKWASHER, 1/4" HELICAL ZP
41	8	0400498	WASHER, 1/2" ID X 2" OD X .150" THICK
42	1	0806815	TOOLBOX MOUNTING TUBE
43	1	0806849	REAR MOUNTING TUBE WELDMENT
44	4	HD1447	WING NUT, 1/4"-20

Section VI - PARTS (cont'd)

COMPOSITE BODY ASSEMBLY



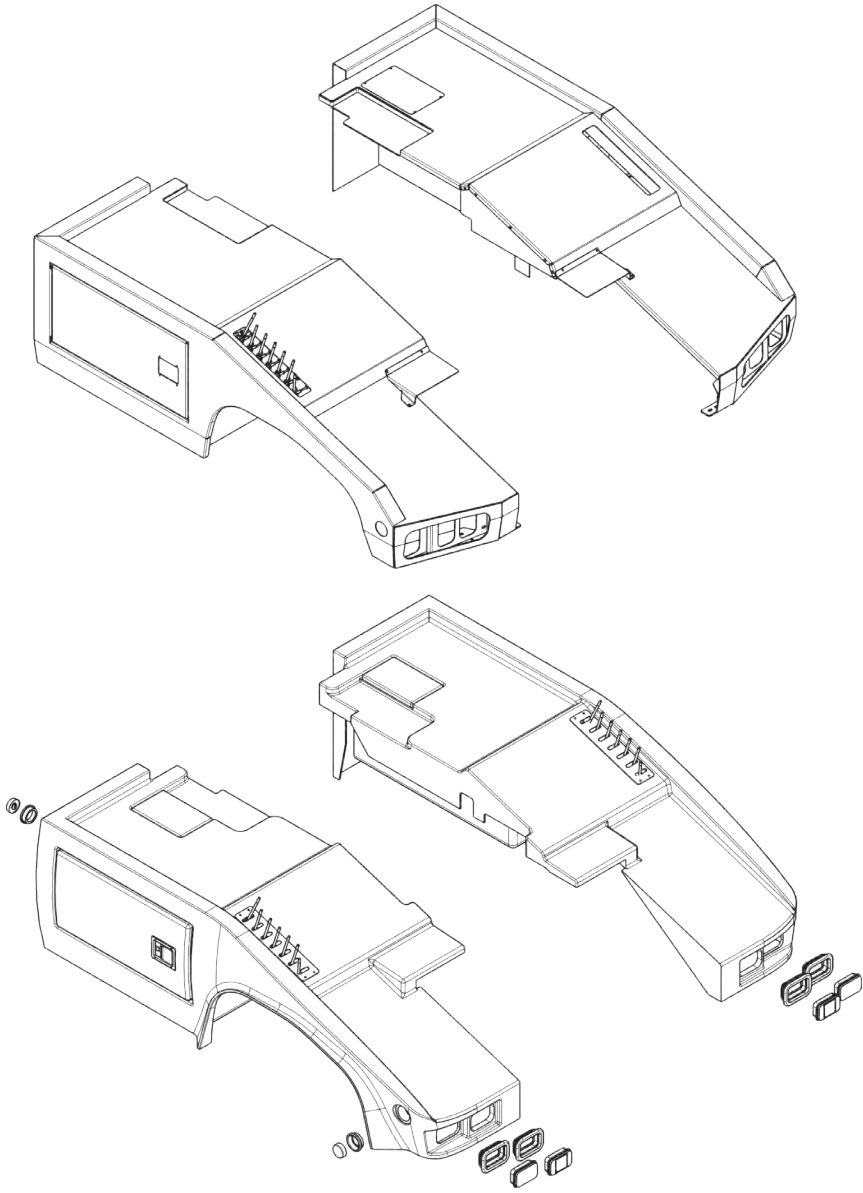
Section VI - PARTS (cont'd)

COMPOSITE BODY ASSEMBLY

REF. NO.	NO. REQ'D	PART NUMBER	DESCRIPTION
--	--	0908329	BODY SHIP KIT, COMPOSITE
1	2.5 FT.	0303056	"D" GASKET, H2 ADHESIVE
2	2	0307495	LAMP, MINI-MARKER 33050R LED
3	6 FT.	0307523	TRIM-LOK, 7100B3 X 1/4" C
4	2	810010001	MUD FLAP BRACKET, CS
--	--	--	BODY INSTALL, EXPRESS COMPOSITE
5	2	0307114	RUBBER MOUNT, TBA 20103
6	2	0400059	SCREW, 1/4"-20 X 5/8" HEX HD CAP GR5 ZP
7	4	0400122	SCREW, 3/8"-16 X 1-1/4" HEX HD CAP GR5 ZP
8	2	0400150	SCREW, 3/8"-16 X 2-1/2" HEX HD CAP GR5 ZP
9	12	0400392	NUT, 3/8"-16 NYLOK HEX ZP
10	2	0400480	WASHER, 3/8" FLAT ZP
11	2	0718123	BODY MOUNTING PLATE
--	--	--	BODY ASSEMBLY, EXPRESS COMPOSITE
12	2	0303120	PADDLE LATCH W/GASKET
13	16 FT.	0307480	TRIM SEAL 4100 B3 X 3/16C
14	16	0402098	RIV-NUT, 1/4"-20 AKS4-420-260
15	2	0806853	CONTROL SUPPORT BOX WELDMENT
16	2	0908309	HARDWARE KIT, 301M COMPOSITE BODY
17	2	945400800	STRIKER PIN WELDMENT PL
18	2	3810-117001	COMPOSITE BODY PARTS ASSEMBLY KIT
19	4	561-0380001	SLEEVE BEARING, 3/8" ID X 1/2" OD
20	8	561-0380002	BEARING, BRONZE 3/8" ID X 7/16" OD
21	1	0307756	LEFT COMPOSITE BODY, GRAY
	1	0307758	LEFT COMPOSITE BODY, WHITE
	1	0307762	LEFT COMPOSITE BODY, BLACK
	1	0307760	LEFT COMPOSITE BODY, RED
22	1	0307757	RIGHT COMPOSITE BODY, GRAY
	1	0307759	RIGHT COMPOSITE BODY, WHITE
	1	0307763	RIGHT COMPOSITE BODY, BLACK
	1	0307761	RIGHT COMPOSITE BODY, RED

Section VI - PARTS (cont'd)

ALUMINUM BODY ASSEMBLY



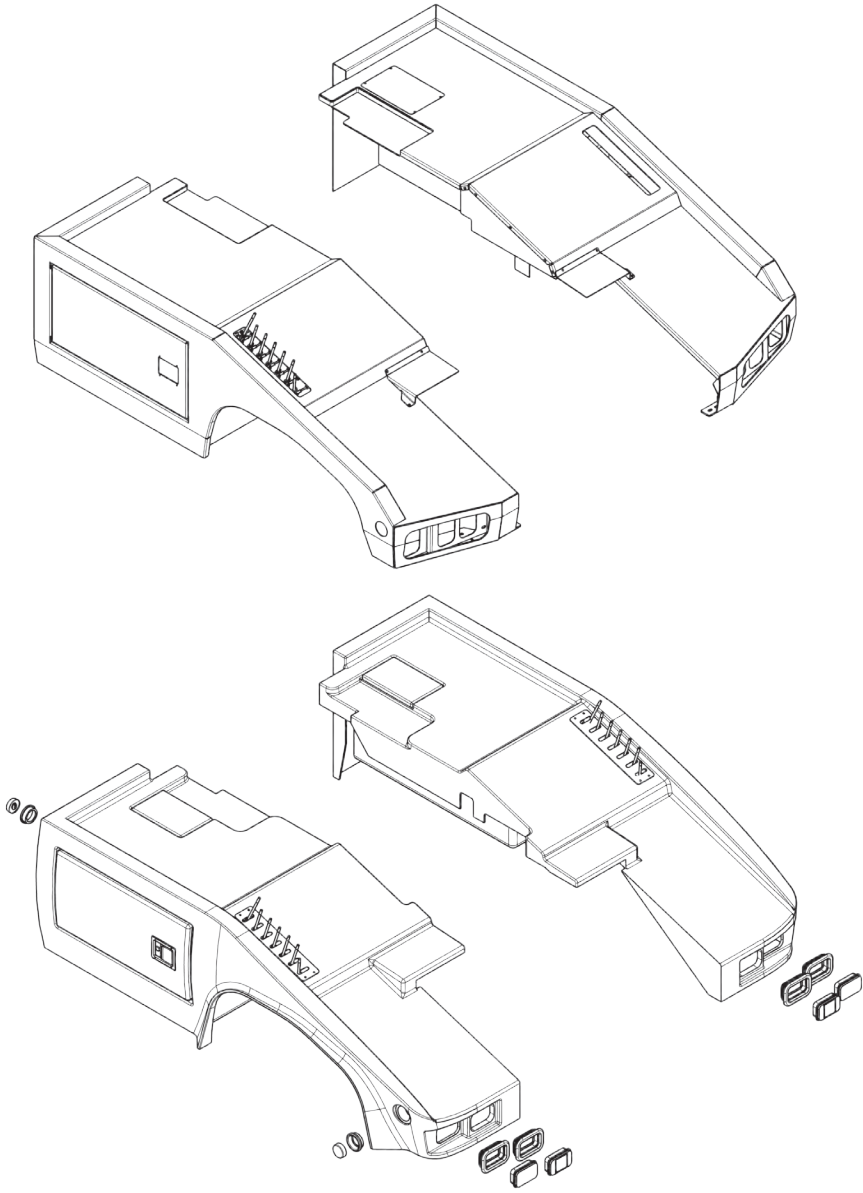
Section VI - PARTS (cont'd)

ALUMINUM BODY ASSEMBLY

REF. NO.	NO. REQ'D	PART NUMBER	DESCRIPTION
--	--	0908907	BODY SHIP KIT, ALUMINUM
1	2	0306682	LIGHT, TAIL/MARKER/CLEARANCE RED
2	2	0306685	GROMMET, TRUCKLITE 45700 RECT
3	8	0307523	TRIM-LOK, 7100B3 X 1/4" C
4	2	9025049	INTERIOR & COMPARTMENT LIGHT W/SW
5	3	9032006	WEATHER STRIP, 3/16" X 1/2"
6	1	810010007	LH REAR SLOPE PANEL, ALUMINUM
7	1	810017007	RH REAR SLOPE PANEL, ALUMINUM
8	1	810033000	TAIL LIGHT GUARD KIT
9	2	810035006	MUD FLAP BRACKET, SS
--	--	0908906	BODY INSTALL, 810 ALUMINUM
10	2	0303120	PADDLE LATCH W/GASKET
11	2	0307114	RUBBER MOUNT, TBA 20103
13	14	0400070	SCREW, 1/4"-20 X 1" HEX HD CAP GR5 ZP
14	4	0400109	SCREW, 5/16-18X1 HEX HD CAP GR5 ZP
15	4	0400122	SCREW, 3/8"-16 X 1-1/4" HEX HD CAP GR5 ZP
16	2	0400150	SCREW, 3/8"-16 X 2-1/2" HEX HD CAP GR5 ZP
17	8	0400351	HEX NUT & STAR WASHER, #8-32 ZP
18	4	0400381	NUT, 5/16"-18 HEX ZP
19	10	0400392	NUT, 3/8"-16 NYLOK HEX ZP
20	4	0400463	WASHER, 5/16" FLAT ZP
21	20	0400480	WASHER, 3/8" FLAT ZP
22	2	0400484	SPECIAL WASHER, .406" ID X 1-3/4" OD
23	8	0402020	SCREW, 1/4"-20 X 3/4" HEX HD CAP SS
25	6	0402111	LOCKWASHER, 1/4" HELICAL SS 316
9	2	0718903	ACCESS COVER PLATE
9	1	810030004	D.C.V. REAR PANEL ASSEMBLY
31	2	810030005	PLATE-BODY REAR MTG. (T. MTG)
28	1	810031200	INSIDE SKIRT WELDMENT, LH
9	1	810032000	D.C.V. FRONT PANEL WELDMENT
29	1	810038200	INSIDE SKIRT WELDMENT, RH
26	1	810220000	LH ALUMINUM BODY WELDMENT
27	1	810227000	RH ALUMINUM BODY WELDMENT
30	2	805040005	COVER PLATE, BOOM END (RE
32	2	945400518	WASHER PLATE PL - STRIKE
33	2	945400800	STRIKER PIN WELDMENT PL

Section VI - PARTS (cont'd)

STAINLESS STEEL BODY ASSEMBLY



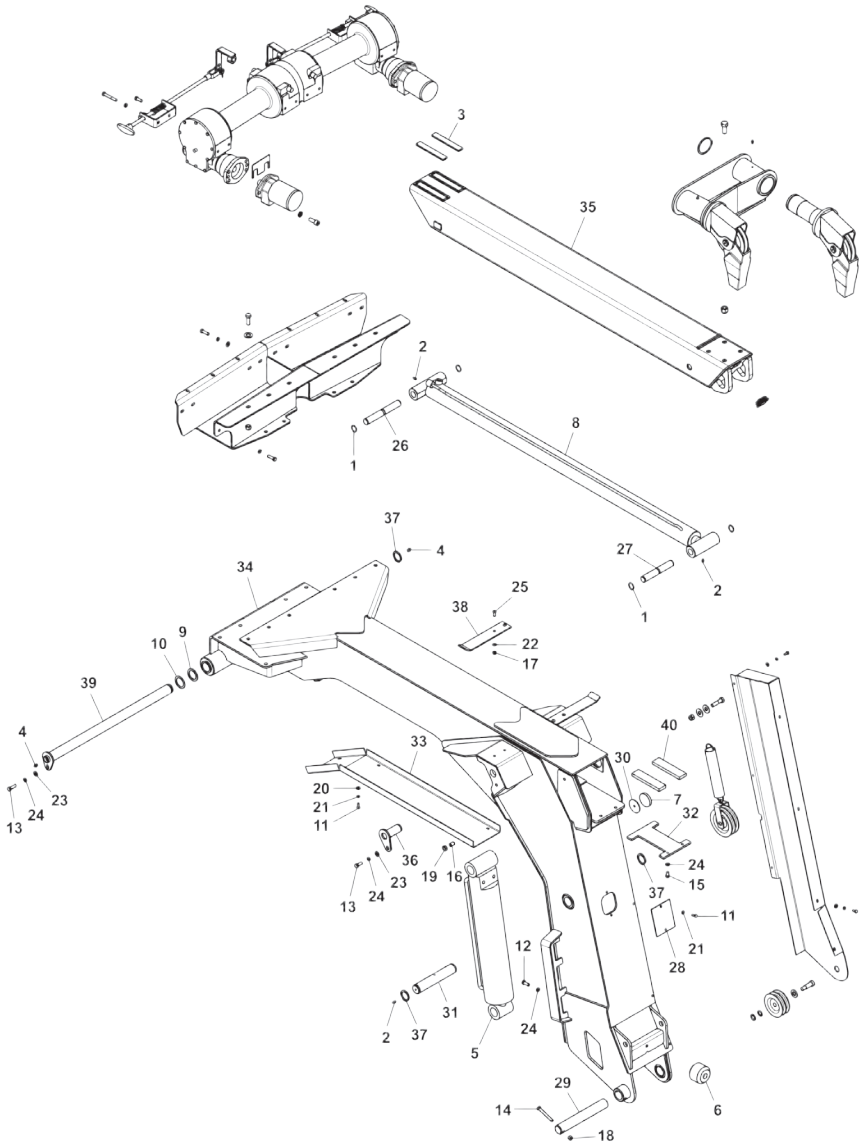
Section VI - PARTS (cont'd)

STAINLESS STEEL BODY ASSEMBLY

REF. NO.	NO. REQ'D	PART NUMBER	DESCRIPTION
--	--	0908580	BODY SHIP KIT - STAINLESS STL
1	2	0306682	LIGHT, TAIL/MARKER/CLEARANCE RED
2	8	0307523	TRIM-LOK, 7100B3 X 1/4" C
3	1	0718660	LH REAR SLOPING PANEL
4	1	0718661	RH REAR SLOPING PANEL
5	2	9025049	INTERIOR & COMPARTMENT LIGHT W/SW
6	3	9032006	WEATHER STRIP, 3/16" X 1/2"
7	1	810033000	TAIL LIGHT GUARD KIT
8	2	810035006	MUD FLAP BRACKET, SS
--	--	0908579	BODY INSTALL- SS MODULAR
9	2	0303120	PADDLE LATCH W/GASKET
10	2	0307114	RUBBER MOUNT, TBA 20103
11	2	0400059	SCREW, 1/4"-20 X 5/8" HEX HD CAP GR5 ZP
12	14	0400070	SCREW, 1/4"-20 X 1" HEX HD CAP GR5 ZP
13	4	0400109	SCREW, 5/16-18X1 HHCS GR5 ZP
14	4	0400122	SCREW, 3/8"-16 X 1-1/4" HEX HD CAP GR5 ZP
15	2	0400150	SCREW, 3/8"-16 X 2-1/2" HEX HD CAP GR5 ZP
16	8	0400351	HEX NUT & STAR WASHER, #8-32 ZP
17	4	0400381	NUT, 5/16"-18 HEX ZP
18	10	0400392	NUT, 3/8"-16 NYLOK HEX ZP
19	4	0400463	WASHER, 5/16" FLAT ZP
20	20	0400480	WASHER, 3/8" FLAT ZP
21	2	0400484	SPECIAL WASHER, .406" ID X 1-3/4" OD
22	8	0402020	SCREW, 1/4"-20 X 3/4" HEX HD CAP SS
23	2	0402098	RIV-NUT, 1/4"-20 AKS4-420-260
24	6	0402111	LOCKWASHER, 1/4" HELICAL SS 316
25	1	0806955	EXPRESS LH BODY WELDMNT SS
26	1	0806956	EXPRESS RH BODY WELDMNT SS
27	1	0806962	LH INSIDE SKIRT WELDMNT SS
28	1	0806963	RH INSIDE SKIRT WELDMNT SS
29	2	805040005	COVER PLATE, BOOM END (RE
30	2	810030005	PLATE, BODY REAR MTG. (T. MTG)
31	2	942480006	WASHER PLATE SS STRIKER PIN
32	2	945400800	STRIKER PIN WELDMNT PL

Section VI - PARTS (cont'd)

DUAL WINCH EXTENDABLE BOOM ASSEMBLY



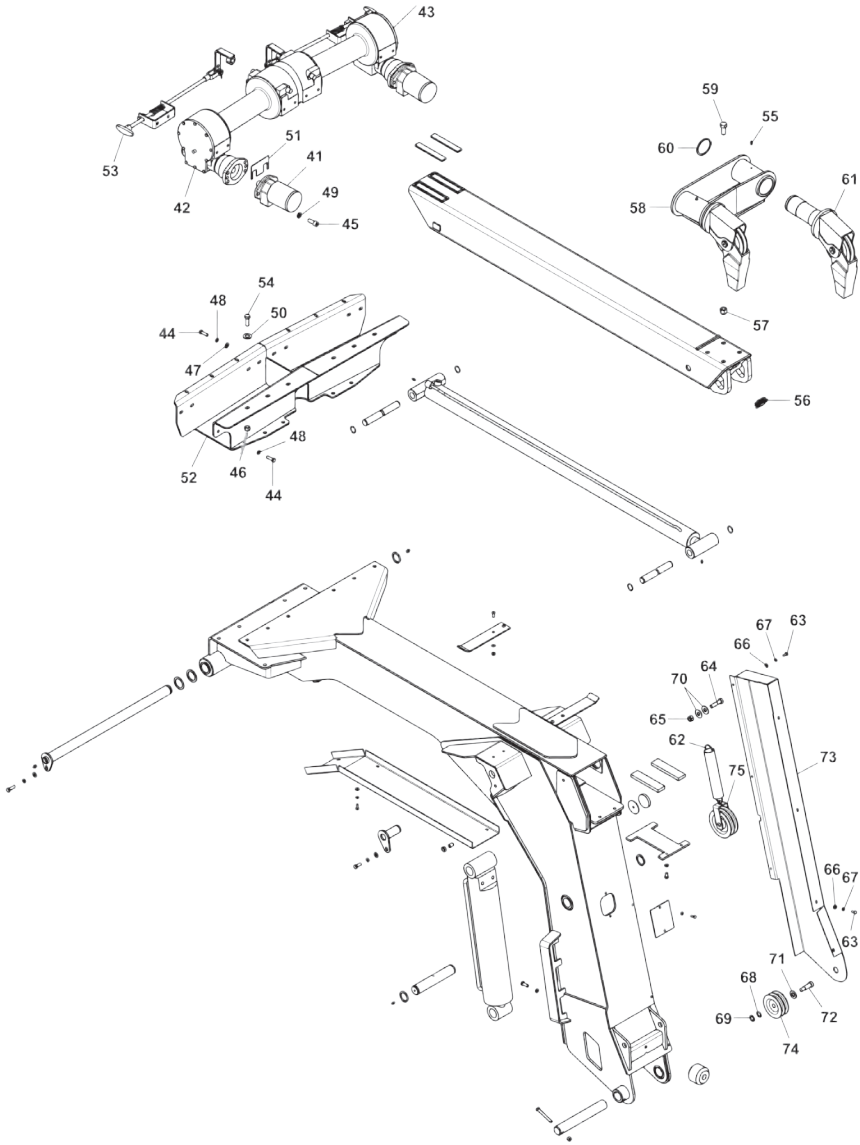
Section VI - PARTS (cont'd)

DUAL WINCH EXTENDABLE BOOM ASSEMBLY

REF. NO.	NO. REQ'D	PART NUMBER	DESCRIPTION
--	--	0908389	BOOM & W/L ASSEMBLY
1	4	0300110	SNAP RING, 1" 5100-100
2	2	0300113	GREASE FITTING, 1/4"-28 STRAIGHT
3	2	0300679	BEARING PAD, NYLATRON
4	1	0301895	GREASE FITTING, STR 1/8" PTF
5	1	0302919	CYL HYD FOLD, 211
6	1	0306688	TIMBREN SPRING 180 AEON 2-7/8"
7	2	0306819	SLIDE PAD, 2-1/4" DIA UHMW
8	1	0307578	CYL HYD, S24050024PP
9	2	0307600	SHIM, CYL 0.125" THICK
10	2	0307601	SHIM, CYL 0.062" THICK
11	8	0400066	SCREW, 1/4"-20 X 3/4" HEX HD CAP GR5 ZP
12	1	0400126	SCREW, 3/8"-16 X 1" HEX HD CAP GR5 ZP
13	2	0400132	SCREW, 3/8"-16 X 1-1/2" HEX HD CAP GR5 ZP
14	1	0400133	SCREW, 3/8"-16 X 3" HEX HD CAP GR5 ZP
15	2	0400149	SCREW, 3/8"-16 X 5/8" HEX HD CAP GR5 ZP
16	2	0400204	SCREW, 1/2"-13 X 3/4" SKT HD SET
17	4	0400381	NUT, 5/16" HEX ZP
18	3	0400392	NUT, 3/8"-16 NYLOK HEX ZP
19	2	0400410	NUT, 1/2"-13 HEX JAM ZP
20	6	0400451	WASHER, 1/4" FLAT ZP
21	8	0400452	LOCKWASHER, 1/4" HELICAL ZP
22	4	0400466	LOCKWASHER, 5/16" INTERNAL TOOTH ZP
23	3	0400480	WASHER, 3/8" FLAT ZP
24	3	0400482	LOCKWASHER, 3/8" HELICAL ZP
25	4	0400614	SCREW, 5/16"-18 X 3/4" ALLEN BUTTON HD
26	1	0703082	PIN, EXT CYL PIVOT
27	1	0705499	SHAFT, UPPER SPADE
28	1	0708519	COVER PLATE, BOOM UPPER
29	1	0717069	PIN, MIDNIGHT U/L
30	2	0717674	SHIM, PAD SPACER
31	1	0718218	PIN, FOLD (BASE)
32	1	0718219	PLATE, PAD CAGE
33	1	0718527	COVER, HOSE TRACK
34	1	0806836	OUTER BOOM WELDMENT, EXPRESS
35	1	0806843	INNER BOOM WELDMENT, EXPRESS
36	2	0806854	PIN WELDMENT
37	3	9056150	RETAINING RING, 1-1/2"
38	2	806040005	CABLE GUIDE
39	1	806501500	BOOM PIVOT PIN WELDMENT
40	2	880060002	NYLATRON PAD (STINGER UPPER)

Section VI - PARTS (cont'd)

DUAL WINCH EXTENDABLE BOOM ASSEMBLY (cont'd)



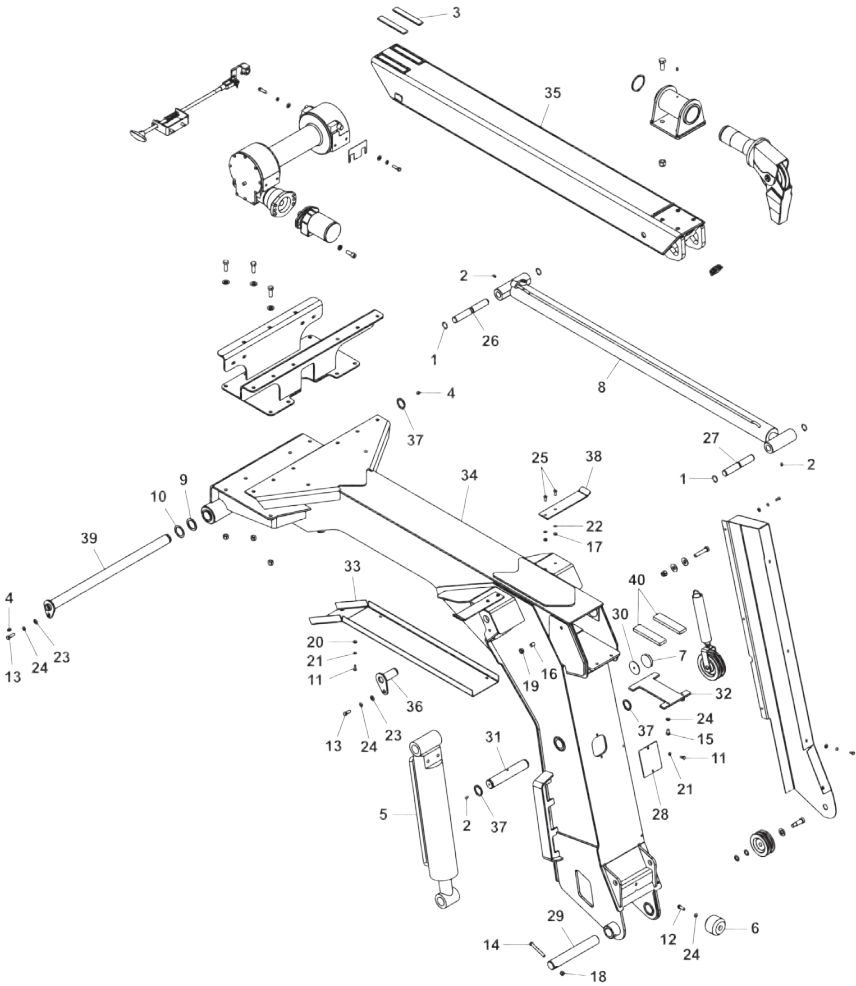
Section VI - PARTS (cont'd)

DUAL WINCH EXTENDABLE BOOM ASSEMBLY (cont'd)

REF. NO.	NO. REQ'D	PART NUMBER	DESCRIPTION
--	--	0908391	8K DUAL WINCH BUCKET ASSEMBLY
41	2	0307097	MOTOR, HYD PARKER -4 CU. IN.
42	1	0307579	WINCH, LEFT
43	1	0307580	WINCH, RIGHT
44	12	0400122	SCREW, 3/8"-16 X 1-1/4" HEX HD CAP GR5 ZP
45	4	0400196	SCREW, 1/2"-13 X 1-1/4" SKT HD
46	14	0400416	NUT, 1/2"-13 HEX NYLOK GR8 ZP
47	8	0400480	WASHER, 3/8" FLAT ZP
48	16	0400482	LOCKWASHER, 3/8" HELICAL ZP
49	4	0400491	LOCKWASHER, 1/2" HELICAL ZP
50	6	0400497	WASHER, 1/2" FLAT GR8 ZP
51	4	0706668	SHIM, WINCH MOUNTING
52	1	0806847	WINCH BUCKET WELDMENT
53	2	0906029	WINCH FREESPOOL ASSEMBLY
54	14	9041403	SCREW, 1/2" NC X 1-1/2" HEX HD CAP GR8 ZP
--	--	0908393	DUAL SHEAVE HEAD ASSEMBLY
55	2	0300113	GREASE FITTING, 1/4"-28 STRAIGHT
56	1	0307590	PLUG, LDPE BLACK SQR-17-1014
57	4	0400426	NUT, 5/8"-11 HEX NYLOK GR8 ZP
58	1	0806845	SHEAVE HEAD WELDMENT
59	4	HD0505	SCREW, 5/8"-11 X 1-1/2" SKT HD CAP
60	2	9055275	SNAP RING, EXT 2-3/4" 5160-275
61	2	805180000	SHEAVE HOUSING ASSEMBLY
--	--	0908400	HOSE TENSIONER ASSEMBLY
62	1	0307115	SPRING, HOSE TENSIONER EXPRESS
63	7	0400059	SCREW, 1/4"-20 X 5/8" HEX HD CAP GR5 ZP
64	1	0400185	SCREW, 1/2"-13 X 2-1/2" HEX HD CAP GR5 ZP
65	1	0400408	NUT, 1/2"-13 NYLOK HEX ZP
66	7	0400451	WASHER, 1/4" FLAT ZP
67	7	0400452	LOCKWASHER, 1/4" HELICAL ZP
68	1	0400474	SHIM WASHER, 5/8" (.635) X .020
69	1	0400476	SHIM WASHER, 5/8" (.635) X .062
70	2	0400492	WASHER, 1/2" FLAT ZP
71	1	0400503	WASHER, 5/8" FLAT GR8 ZP
72	1	0400606	SHOULDER BOLT, 5/8" X 1-1/4"
73	1	0718222	GUARD, HORIZONTAL HOSE COVER
74	1	810040004	SMALL SHEAVE, 2 GROOVES 4"
75	1	810041500	TENSIONER BRACKET WELDMENT

Section VI - PARTS (cont'd)

SINGLE WINCH EXTENDABLE BOOM ASSEMBLY



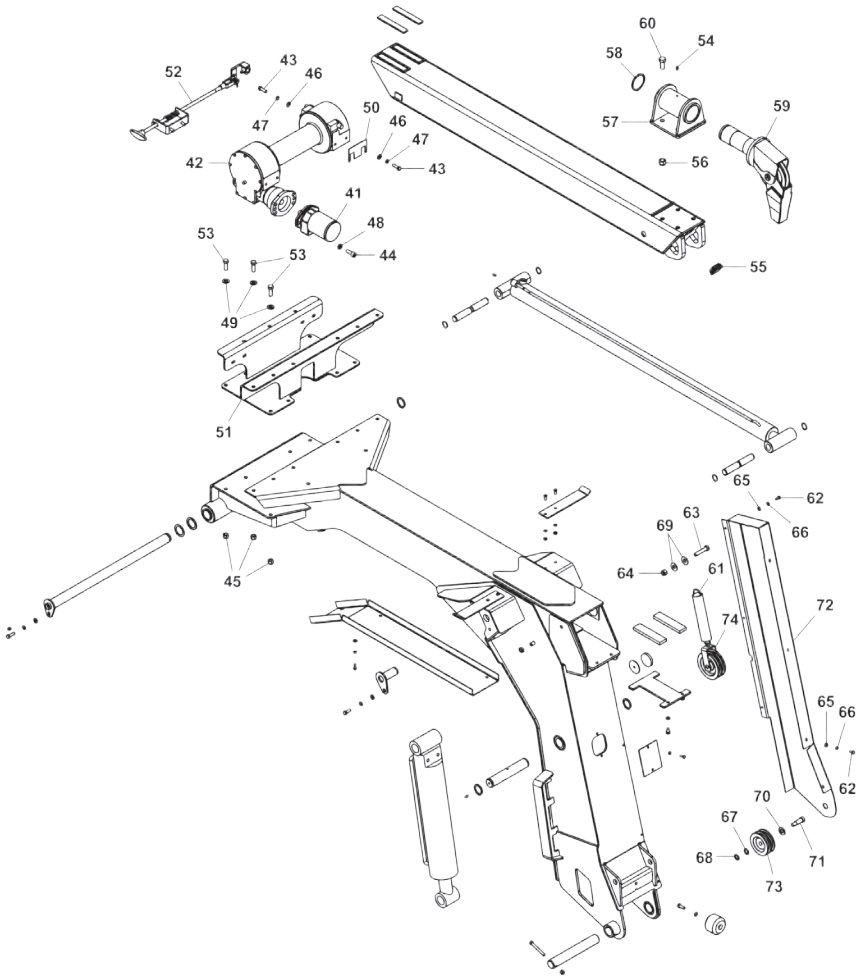
Section VI - PARTS (cont'd)

SINGLE WINCH EXTENDABLE BOOM ASSEMBLY

REF. NO.	NO. REQ'D	PART NUMBER	DESCRIPTION
--	--	0908389	BOOM & W/L ASSEMBLY
1	4	0300110	SNAP RING, 1" 5100-100
2	2	0300113	GREASE FITTING, 1/4"-28 STRAIGHT
3	2	0300679	BEARING PAD, NYLATRON
4	1	0301895	GREASE FITTING, STR 1/8" PTF
5	1	0302919	CYL HYD FOLD, 211
6	1	0306688	TIMBREN SPRING 180 AEON 2-7/8"
7	2	0306819	SLIDE PAD, 2-1/4" DIA UHMW
8	1	0307578	CYL HYD, S24050024PP
9	2	0307600	SHIM, CYL 0.125" THICK
10	2	0307601	SHIM, CYL 0.062" THICK
11	8	0400066	SCREW, 1/4"-20 X 3/4" HEX HD CAP GR5 ZP
12	1	0400126	SCREW, 3/8"-16 X 1" HEX HD CAP GR5 ZP
13	2	0400132	SCREW, 3/8"-16 X 1-1/2" HEX HD CAP GR5 ZP
14	1	0400133	SCREW, 3/8"-16 X 3" HEX HD CAP GR5 ZP
15	2	0400149	SCREW, 3/8"-16 X 5/8" HEX HD CAP GR5 ZP
16	2	0400204	SCREW, 1/2"-13 X 3/4" SKT HD SET
17	4	0400381	NUT, 5/16" HEX ZP
18	3	0400392	NUT, 3/8"-16 NYLOK HEX ZP
19	2	0400410	NUT, 1/2"-13 HEX JAM ZP
20	6	0400451	WASHER, 1/4" FLAT ZP
21	8	0400452	LOCKWASHER, 1/4" HELICAL ZP
22	4	0400466	LOCKWASHER, 5/16" INTERNAL TOOTH ZP
23	3	0400480	WASHER, 3/8" FLAT ZP
24	3	0400482	LOCKWASHER, 3/8" HELICAL ZP
25	4	0400614	SCREW, 5/16"-18 X 3/4" ALLEN BUTTON HD
26	1	0703082	PIN, EXT CYL PIVOT
27	1	0705499	SHAFT, UPPER SPADE
28	1	0708519	COVER PLATE, BOOM UPPER
29	1	0717069	PIN, MIDNIGHT U/L
30	2	0717674	SHIM, PAD SPACER
31	1	0718218	PIN, FOLD (BASE)
32	1	0718219	PLATE, PAD CAGE
33	1	0718527	COVER, HOSE TRACK
34	1	0806836	OUTER BOOM WELDMENT, EXPRESS
35	1	0806843	INNER BOOM WELDMENT, EXPRESS
36	2	0806854	PIN WELDMENT
37	3	9056150	RETAINING RING, 1-1/2"
38	2	806040005	CABLE GUIDE
39	1	806501500	BOOM PIVOT PIN WELDMENT
40	2	880060002	NYLATRON PAD (STINGER UPPER)

Section VI - PARTS (cont'd)

SINGLE WINCH EXTENDABLE BOOM ASSEMBLY (cont'd)



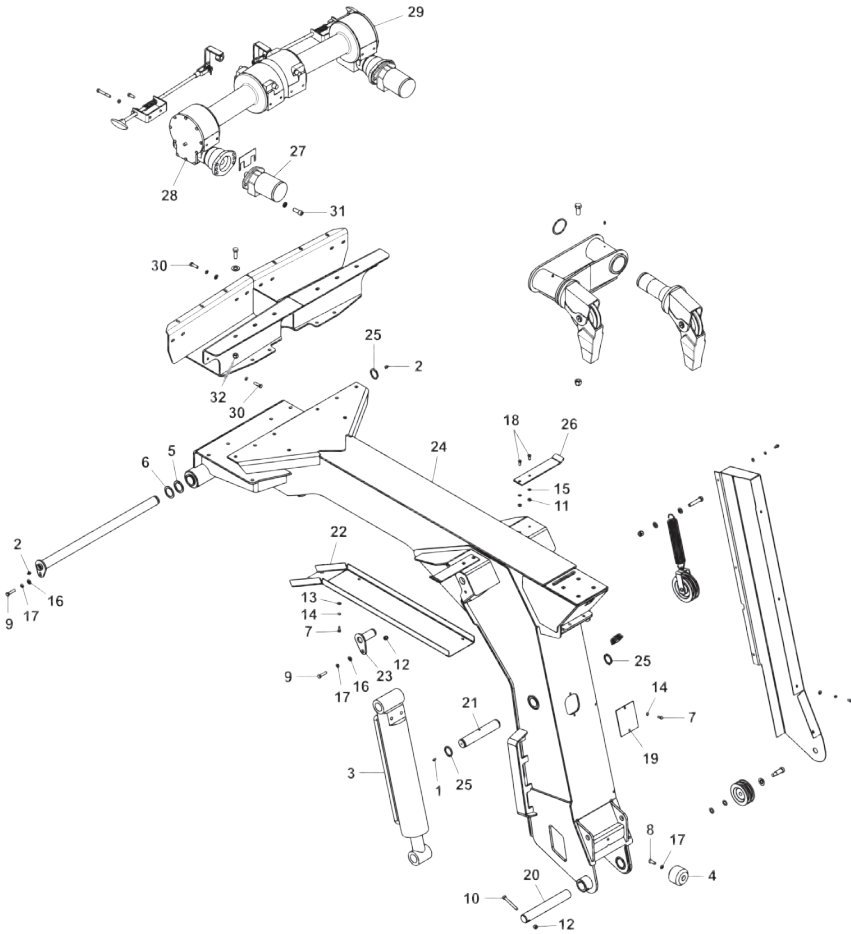
Section VI - PARTS (cont'd)

SINGLE WINCH EXTENDABLE BOOM ASSEMBLY (cont'd)

REF. NO.	NO. REQ'D	PART NUMBER	DESCRIPTION
--	--	0908392	8K SINGLE WINCH BUCKET ASSEMBLY
41	1	0307097	MOTOR, HYD PARKER 4 CU. IN.
42	1	0307579	WINCH, LEFT
43	6	0400122	SCREW, 3/8"-16 X 1-1/4" HEX HD CAP GR5 ZP
44	2	0400196	SCREW, 1/2"-13 X 1-1/4" SKT HD
45	14	0400416	NUT, 1/2"-13 HEX NYLOK GR8 ZP
46	2	0400480	WASHER, 3/8" FLAT ZP
47	6	0400482	LOCKWASHER, 3/8" HELICAL ZP
48	2	0400491	LOCKWASHER, 1/2" HELICAL ZP
49	28	0400497	WASHER, 1/2" FLAT GR8 ZP
50	2	0706668	SHIM, WINCH MOUNTING
51	1	0806846	WINCH BUCKET WELDMENT
52	1	0908627	WINCH FREESPOOL ASSEMBLY, MODULAR
53	14	9041403	SCREW, 1/2" NC X 1-1/2" HEX HD CAP GR8 ZP
--	--	0908394	SINGLE SHEAVE HEAD ASSEMBLY
54	1	0300113	GREASE FITTING, 1/4"-28 STRAIGHT
55	1	0307590	PLUG, LDPE BLACK SQR-17-1014
56	4	0400426	NUT, 5/8"-11 HEX NYLOK GR8 ZP
57	1	0806844	SHEAVE HEAD WELDMENT
58	1	9055275	SNAP RING, EXT 2-3/4" 5160-275
59	1	805180000	SHEAVE HOUSING ASSEMBLY
60	4	HD0505	SCREW, 5/8"-11 X 1-1/2" SKT HD CAP
--	--	0908400	HOSE TENSIONER ASSEMBLY
61	1	0307115	SPRING, HOSE TENSIONER EXPRESS
62	7	0400059	SCREW, 1/4"-20 X 5/8" HEX HD CAP GR5 ZP
63	1	0400185	SCREW, 1/2"-13 X 2-1/2" HEX HD CAP GR5 ZP
64	1	0400408	NUT, 1/2"-13 NYLOK HEX ZP
65	7	0400451	WASHER, 1/4" FLAT ZP
66	7	0400452	LOCKWASHER, 1/4" HELICAL ZP
67	1	0400474	SHIM WASHER, 5/8" (.635) X .020
68	1	0400476	SHIM WASHER, 5/8" (.635) X .062
69	2	0400492	WASHER, 1/2" FLAT ZP
70	1	0400503	WASHER, 5/8" FLAT GR8 ZP
71	1	0400606	SHOULDER BOLT, 5/8" X 1-1/4"
72	1	0718222	GUARD, HORIZONTAL HOSE COVER
73	1	810040004	SMALL SHEAVE, 2 GROOVES 4"
74	1	810041500	TENSIONER BRACKET WELDMENT

Section VI - PARTS (cont'd)

DUAL WINCH NON-EXTENDABLE BOOM ASSEMBLY



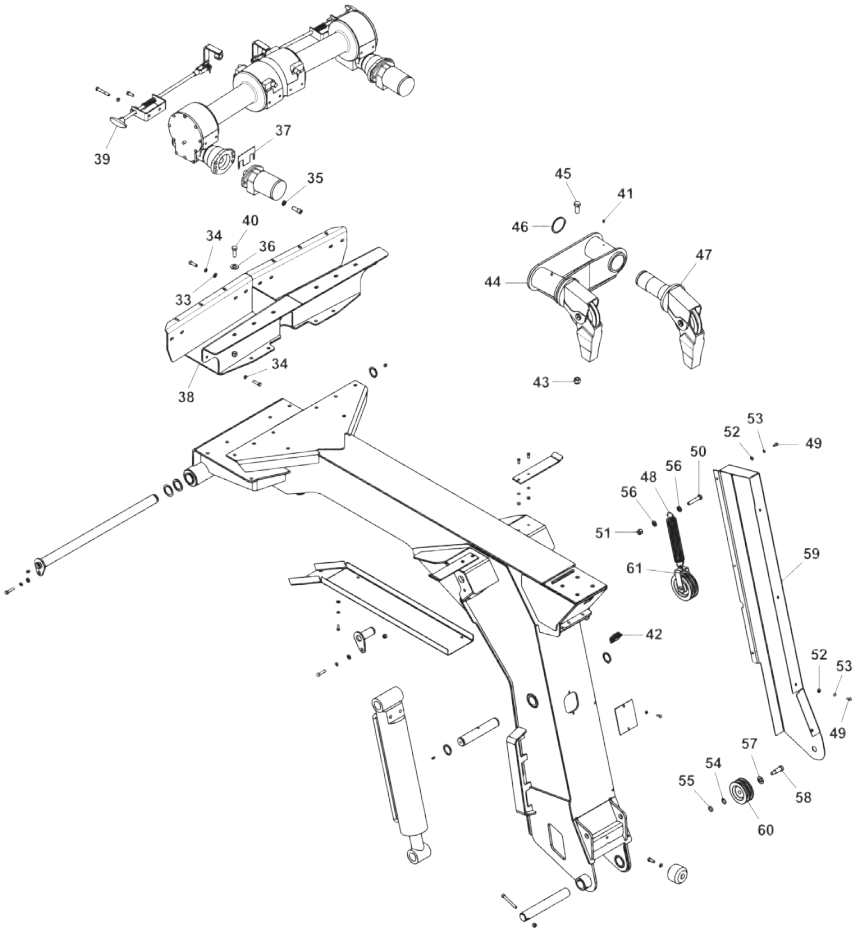
Section VI - PARTS (cont'd)

DUAL WINCH NON-EXTENDABLE BOOM ASSEMBLY

REF. NO.	NO. REQ'D	PART NUMBER	DESCRIPTION
--	--	0908513	BOOM & W/L ASSEMBLY
1	1	0300113	GREASE FITTING, 1/4"-28 STRAIGHT
2	2	0301895	GREASE FITTING, STR 1/8" PTF
3	1	0302919	CYL HYD FOLD, 211
4	1	0306688	TIMBREN SPRING 180 AEON 2-7/8"
5	2	0307600	SHIM, CYL 0.125" THICK
6	2	0307601	SHIM, CYL 0.062" THICK
7	8	0400066	SCREW, 1/4"-20 X 3/4" HEX HD CAP GR5 ZP
8	1	0400126	SCREW, 3/8"-16 X 1" HEX HD CAP GR5 ZP
9	3	0400132	SCREW, 3/8"-16 X 1-1/2" HEX HD CAP GR5 ZP
10	1	0400133	SCREW, 3/8"-16 X 3" HEX HD CAP GR5 ZP
11	4	0400381	NUT, 5/16" HEX ZP
12	3	0400392	NUT, 3/8"-16 NYLOK HEX ZP
13	6	0400451	WASHER, 1/4" FLAT ZP
14	8	0400452	LOCKWASHER, 1/4" HELICAL ZP
15	4	0400466	LOCKWASHER, 5/16" INTERNAL TOOTH ZP
16	3	0400480	WASHER, 3/8" FLAT ZP
17	3	0400482	LOCKWASHER, 3/8" HELICAL ZP
18	4	0400614	SCREW, 5/16"-18 X 3/4" ALLEN BUTTON HD
19	1	0708519	COVER PLATE, BOOM UPPER
20	1	0717069	PIN, MIDNIGHT U/L
21	1	0718218	PIN, FOLD (BASE)
22	1	0718527	COVER, HOSE TRACK
23	2	0806854	PIN WELDMENT
24	1	0806868	OUTER BOOM WELDMENT, EXPRESS 301
25	3	9056150	RETAINING RING, 1-1/2"
26	2	806040005	CABLE GUIDE
--	--	0908391	8K DUAL WINCH BUCKET ASSEMBLY
27	2	0307097	MOTOR, HYD PARKER -4 CU. IN.
28	1	0307579	WINCH, LEFT
29	1	0307580	WINCH, RIGHT
30	12	0400122	SCREW, 3/8"-16 X 1-1/4" HEX HD CAP GR5 ZP
31	4	0400196	SCREW, 1/2"-13 X 1-1/4" SKT HD
32	14	0400416	NUT, 1/2"-13 HEX NYLOK GR8 ZP

Section VI - PARTS (cont'd)

DUAL WINCH NON-EXTENDABLE BOOM ASSEMBLY (cont'd)



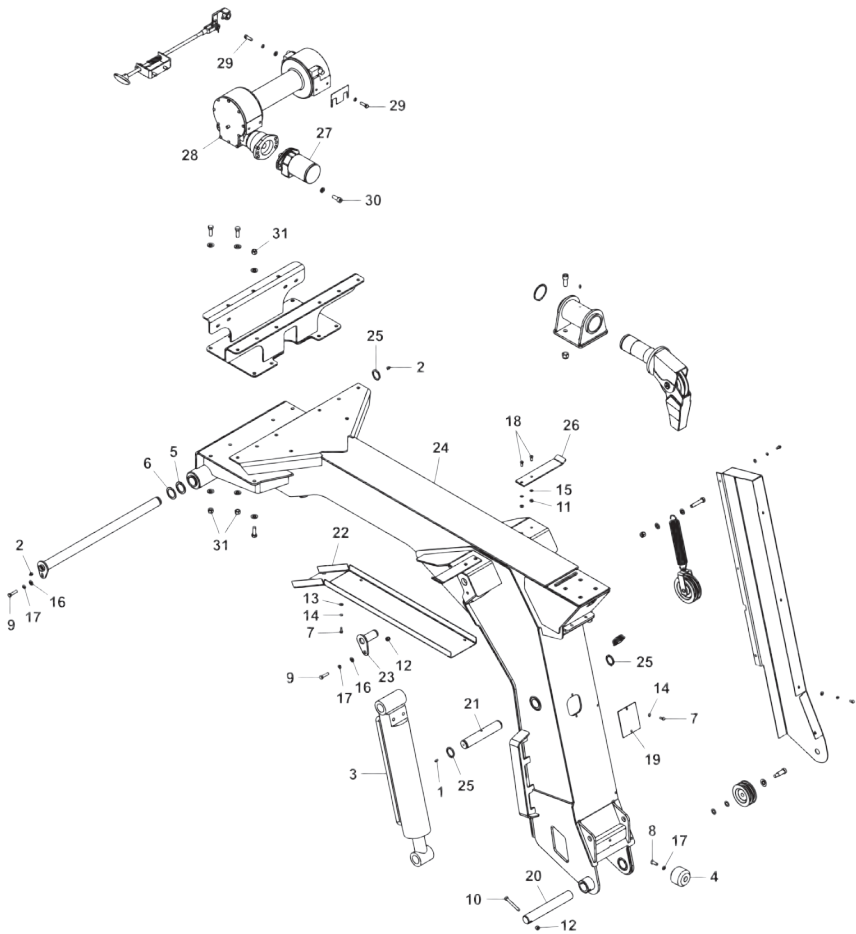
Section VI - PARTS (cont'd)

DUAL WINCH NON-EXTENDABLE BOOM ASSEMBLY (cont'd)

REF. NO.	NO. REQ'D	PART NUMBER	DESCRIPTION
--	--	0908391	8K DUAL WINCH BUCKET ASSEMBLY (cont'd)
33	8	0400480	WASHER, 3/8" FLAT ZP
34	16	0400482	LOCKWASHER, 3/8" HELICAL ZP
35	4	0400491	LOCKWASHER, 1/2" HELICAL ZP
36	6	0400497	WASHER, 1/2" FLAT GR8 ZP
37	4	0706668	SHIM, WINCH MOUNTING
38	1	0806847	WINCH BUCKET WELDMENT
39	2	0906029	WINCH FREESPOOL ASSEMBLY
40	14	9041403	SCREW, 1/2" NC X 1-1/2" HEX HD CAP GR8 ZP
--	--	0908393	DUAL SHEAVE HEAD ASSEMBLY
41	2	0300113	GREASE FITTING, 1/4"-28 STRAIGHT
42	1	0307590	PLUG, LDPE BLACK SQR-17-1014
43	4	0400426	NUT, 5/8"-11 HEX NYLOK GR8 ZP
44	1	0806845	SHEAVE HEAD WELDMENT
45	4	HD0505	SCREW, 5/8"-11 X 1-1/2" SKT HD CAP
46	2	9055275	SNAP RING, EXT 2-3/4" 5160-275
47	2	805180000	SHEAVE HOUSING ASSEMBLY
--	--	0908400	HOSE TENSIONER ASSEMBLY
48	1	0307115	SPRING, HOSE TENSIONER EXPRESS
49	7	0400059	SCREW, 1/4"-20 X 5/8" HEX HD CAP GR5 ZP
50	1	0400185	SCREW, 1/2"-13 X 2-1/2" HEX HD CAP GR5 ZP
51	1	0400408	NUT, 1/2"-13 NYLOK HEX ZP
52	7	0400451	WASHER, 1/4" FLAT ZP
53	7	0400452	LOCKWASHER, 1/4" HELICAL ZP
54	1	0400474	SHIM WASHER, 5/8" (.635) X .020
55	1	0400476	SHIM WASHER, 5/8" (.635) X .062
56	2	0400492	WASHER, 1/2" FLAT ZP
57	1	0400503	WASHER, 5/8" FLAT GR8 ZP
58	1	0400606	SHOULDER BOLT, 5/8" X 1-1/4"
59	1	0718222	GUARD, HORIZONTAL HOSE COVER
60	1	810040004	SMALL SHEAVE, 2 GROOVES 4"
61	1	810041500	TENSIONER BRACKET WELDMENT

Section VI - PARTS (cont'd)

SINGLE WINCH NON-EXTENDABLE BOOM ASSEMBLY



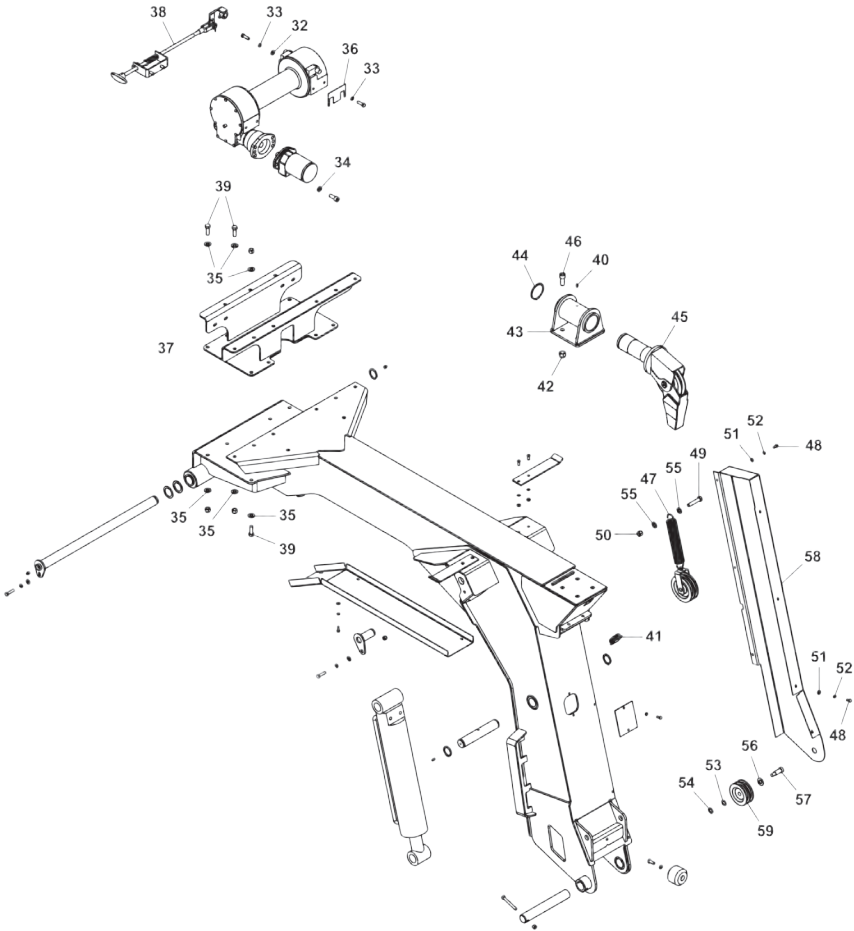
Section VI - PARTS (cont'd)

SINGLE WINCH NON-EXTENDABLE BOOM ASSEMBLY

REF. NO.	NO. REQ'D	PART NUMBER	DESCRIPTION
--	--	0908513	BOOM & W/L ASSEMBLY
1	1	0300113	GREASE FITTING, 1/4"-28 STRAIGHT
2	2	0301895	GREASE FITTING, STR 1/8" PTF
3	1	0302919	CYL HYD FOLD, 211
4	1	0306688	TIMBREN SPRING 180 AEON 2-7/8"
5	2	0307600	SHIM, CYL 0.125" THICK
6	2	0307601	SHIM, CYL 0.062" THICK
7	8	0400066	SCREW, 1/4"-20 X 3/4" HEX HD CAP GR5 ZP
8	1	0400126	SCREW, 3/8"-16 X 1" HEX HD CAP GR5 ZP
9	3	0400132	SCREW, 3/8"-16 X 1-1/2" HEX HD CAP GR5 ZP
10	1	0400133	SCREW, 3/8"-16 X 3" HEX HD CAP GR5 ZP
11	4	0400381	NUT, 5/16" HEX ZP
12	3	0400392	NUT, 3/8"-16 NYLOK HEX ZP
13	6	0400451	WASHER, 1/4" FLAT ZP
14	8	0400452	LOCKWASHER, 1/4" HELICAL ZP
15	4	0400466	LOCKWASHER, 5/16" INTERNAL TOOTH ZP
16	3	0400480	WASHER, 3/8" FLAT ZP
17	3	0400482	LOCKWASHER, 3/8" HELICAL ZP
18	4	0400614	SCREW, 5/16"-18 X 3/4" ALLEN BUTTON HD
19	1	0708519	COVER PLATE, BOOM UPPER
20	1	0717069	PIN, MIDNIGHT U/L
21	1	0718218	PIN, FOLD (BASE)
22	1	0718527	COVER, HOSE TRACK
23	2	0806854	PIN WELDMENT
24	1	0806868	OUTER BOOM WELDMENT, EXPRESS 301
25	3	9056150	RETAINING RING, 1-1/2"
26	2	806040005	CABLE GUIDE
--	--	0908392	8K SINGLE WINCH BUCKET ASSEMBLY
27	1	0307097	MOTOR, HYD PARKER 4 CU. IN.
28	1	0307579	WINCH, LEFT
29	6	0400122	SCREW, 3/8"-16 X 1-1/4" HEX HD CAP GR5 ZP
30	2	0400196	SCREW, 1/2"-13 X 1-1/4" SKT HD
31	14	0400416	NUT, 1/2"-13 HEX NYLOK GR8 ZP

Section VI - PARTS (cont'd)

SINGLE WINCH NON-EXTENDABLE BOOM ASSEMBLY (cont'd)



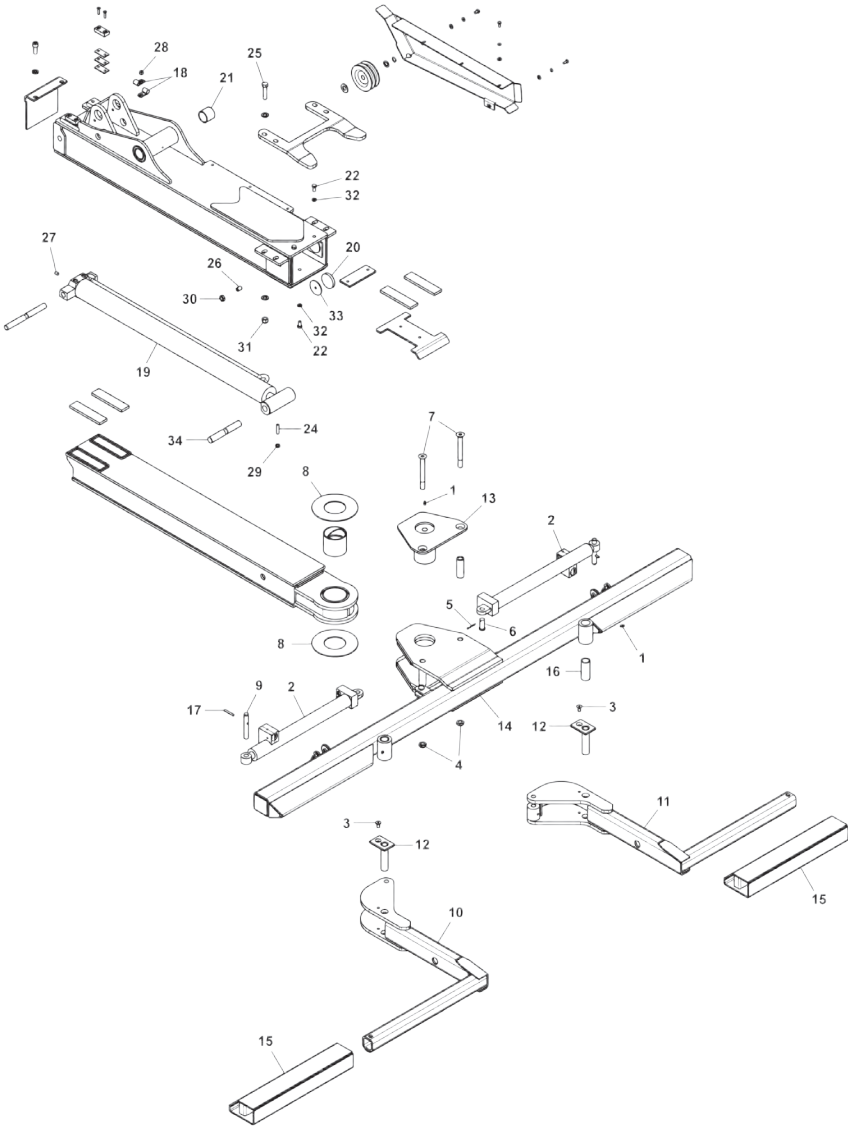
Section VI - PARTS (cont'd)

SINGLE WINCH NON-EXTENDABLE BOOM ASSEMBLY (cont'd)

REF. NO.	NO. REQ'D	PART NUMBER	DESCRIPTION
--	--	0908392	8K SINGLE WINCH BUCKET ASSEMBLY (cont'd)
32	2	0400480	WASHER, 3/8" FLAT ZP
33	6	0400482	LOCKWASHER, 3/8" HELICAL ZP
34	2	0400491	LOCKWASHER, 1/2" HELICAL ZP
35	28	0400497	WASHER, 1/2" FLAT GR8 ZP
36	2	0706668	SHIM, WINCH MOUNTING
37	1	0806846	WINCH BUCKET WELDMENT
38	1	0908627	WINCH FREESPOOL ASSEMBLY, MODULAR
39	14	9041403	SCREW, 1/2" NC X 1-1/2" HEX HD CAP GR8 ZP
--	--	0908394	SINGLE SHEAVE HEAD ASSEMBLY
40	1	0300113	GREASE FITTING, 1/4"-28 STRAIGHT
41	1	0307590	PLUG, LDPE BLACK SQR-17-1014
42	4	0400426	NUT, 5/8"-11 HEX NYLOK GR8 ZP
43	1	0806844	SHEAVE HEAD WELDMENT
44	1	9055275	SNAP RING, EXT 2-3/4" 5160-275
45	1	805180000	SHEAVE HOUSING ASSEMBLY
46	4	HD0505	SCREW, 5/8"-11 X 1-1/2" SKT HD CAP
--	--	0908400	HOSE TENSIONER ASSEMBLY
47	1	0307115	SPRING, HOSE TENSIONER EXPRESS
48	7	0400059	SCREW, 1/4"-20 X 5/8" HEX HD CAP GR5 ZP
49	1	0400185	SCREW, 1/2"-13 X 2-1/2" HEX HD CAP GR5 ZP
50	1	0400408	NUT, 1/2"-13 NYLOK HEX ZP
51	7	0400451	WASHER, 1/4" FLAT ZP
52	7	0400452	LOCKWASHER, 1/4" HELICAL ZP
53	1	0400474	SHIM WASHER, 5/8" (.635) X .020
54	1	0400476	SHIM WASHER, 5/8" (.635) X .062
55	2	0400492	WASHER, 1/2" FLAT ZP
56	1	0400503	WASHER, 5/8" FLAT GR8 ZP
57	1	0400606	SHOULDER BOLT, 5/8" X 1-1/4"
58	1	0718222	GUARD, HORIZONTAL HOSE COVER
59	1	810040004	SMALL SHEAVE, 2 GROOVES 4"
60	1	810041500	TENSIONER BRACKET WELDMENT

Section VI - PARTS (cont'd)

WHEEL LIFT ASSEMBLY



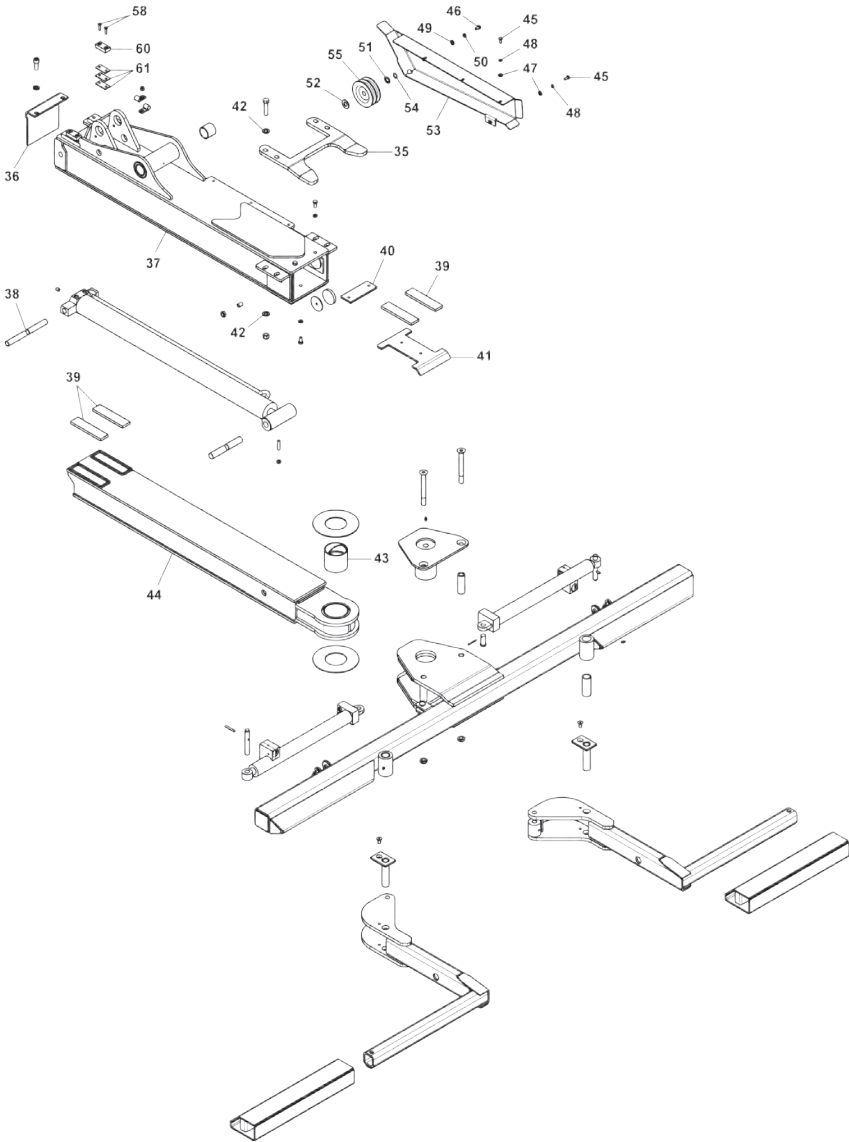
Section VI - PARTS (cont'd)

WHEEL LIFT ASSEMBLY

REF. NO.	NO. REQ'D	PART NUMBER	DESCRIPTION
--	--	0908352	CROSSBAR ASSEMBLY W/ POS FORK
1	3	0300113	GREASE FITTING, 1/4"-28 STRAIGHT
2	2	0303844	CYLINDER HYD, "L" ARM SWING
3	2	0400349	SCREW, 3/8"-16 X 3/4" FLT SKT HD
4	2	0400428	NUT, 5/8"-11 HEX FLEXLOC THIN HIGH
5	2	0400546	COTTER PIN, 1/8" X 1-1/4"
6	2	0400590	CLEVIS PIN, 5/8" X 1-1/2"
7	2	0401006	SCREW, 5/8"-11 X 5-1/2" FLT HD SKT CAP
8	2	0710092	THRUST WASHER, 6500 W/L
9	2	0713885	PIN, CYLINDER ("L" ARM END)
10	1	0803911	"L" ARM WELDMENT, LEFT
11	1	0803912	"L" ARM WELDMENT, RIGHT
12	2	0803915	SWING PIN WELDMENT, "L" ARM
13	1	0806819	PIVOT PIN WELDMENT
14	1	0806980	CROSSBAR WELDMENT, EXPRESS
15	2	810620500	WHEEL SPACER WELDMENT
16	2	E300002	BEARING
17	2	HD0106	SPRING PIN, 1/4" X 1-3/4" ZP
--	--	0908390	WHEEL LIFT BOOM ASSEMBLY
18	2	0301601	HOSE CLAMP, 5/8" INSULATED
19	1	0303020	CYLINDER HYD EXT, EB3 (JI3)
20	2	0306819	SLIDE PAD, 2-1/4" DIA UHMW
21	2	0306942	CAST BRONZE BEARING SLEEVE, 1-1/2"
22	4	0400121	SCREW, 3/8"-16 X 3/4" HEX HD CAP GR5 ZP
23	2	0400122	SCREW, 3/8"-16 X 1-1/4" HEX HD CAP GR5 ZP
24	1	0400139	SCREW, 3/8"-16 X 1-1/2" HEX SKT SET
25	4	0400184	SCREW, 1/2"-13 X 2-1/4" HEX HD CAP GR8
26	2	0400204	SCREW, 1/2"-13 X 3/4" SKT HD SET
27	1	0400353	SCREW, 3/8"-16 X 1/2" ALLEN HD SET
28	1	0400392	NUT, 3/8"-16 HEX NYLOK ZP
29	1	0400398	NUT, 3/8"-16 NYLOK HALF ZP
30	2	0400410	NUT, 1/2"-13 HEX JAM ZP
31	4	0400416	NUT, 1/2"-13 HEX NYLOK GR8 ZP
32	6	0400482	LOCKWASHER, 3/8" HELICAL ZP
33	2	0717674	SHIM, PAD SPACER
34	1	0718216	SHAFT, INNER TUBE CYLINDER

Section VI - PARTS (cont'd)

WHEEL LIFT ASSEMBLY (cont'd)



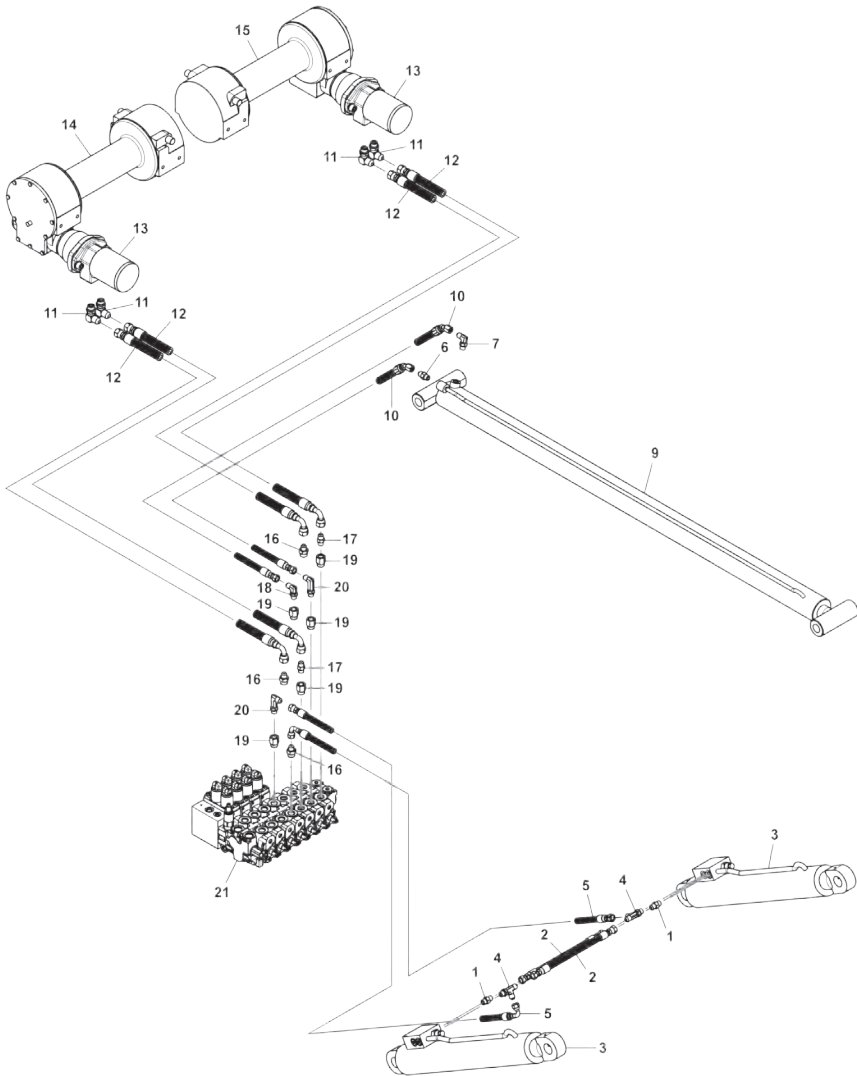
Section VI - PARTS (cont'd)

WHEEL LIFT ASSEMBLY (cont'd)

REF. NO.	NO. REQ'D	PART NUMBER	DESCRIPTION
--	--	0908390	WHEEL LIFT BOOM ASSEMBLY (cont'd)
35	1	0718217	PLATE, CENTER
36	1	0718528	ANGLE, BOOM COVER
37	1	0806839	EXPRESS STINGER OUTER BOOM WELDMENT
38	1	807500001	PIN, EXTEND
39	4	896040002	NYLATRON PAD, 6" X 1-1/2" X 3/8"
40	1	3012-794003	SPACER BAR
41	1	3012-794004	CAGE PLATE, U/L PAD
42	8	545-0508000	WASHER, 1/2" FLAT HARDENED
--	--	0908399	INNER WHEEL LIFT BOOM ASSEMBLY
43	1	0306879	BUSHING, ALUM BRONZE
44	1	0806840	EXPRESS STINGER INNER BOOM WELDMENT
--	--	0908400	HOSE TENSIONER
45	4	0400059	SCREW, 1/4"-20 X 5/8" HEX HD CAP GR5 ZP
46	1	0400233	SCREW, 5/16"-18 X 1/2" HEX HD CAP GR5 ZP
47	4	0400451	WASHER, 1/4" FLAT ZP
48	4	0400452	LOCKWASHER, 1/4" HELICAL ZP
49	1	0400463	WASHER, 5/16" FLAT ZP
50	1	0400464	LOCKWASHER, 5/16" HELICAL ZP
51	1	0400476	SHIM WASHER, 5/8" (.635) X .062
52	1	0400503	WASHER, 5/8" FLAT GR8 ZP
53	1	0718221	HOSE COVER GUARD, HORIZONTAL
54	1	9055062	RETAINING RING, 5/8" DIA EXT.
55	1	810040004	SMALL SHEAVE, 4" W/ 2 GROOVES
--	--	0908407	STINGER POSITION KIT
56	1	HD1259	SAFETY SNAP PIN (NOT SHOWN)
57	2	0400238	SCREW, 1/2"-13 X 1-1/2" SKT HD CAP GR8 (N.S.)
58	4	0400378	SCREW, 1/4"-20 X 1" FL PH HD
59	2	0400408	NUT, 1/2"-13 HEX NYLOK ZP (NOT SHOWN)
60	2	0709110	CLAMP ADJUSTMENT BLOCK
61	6	0709111	SPACERS, ADJUSTING
62	1	0713131	SHEAR BLOCK (NOT SHOWN)
63	1	0806856	TILT STOP BRACKET WELDMENT (N.S.)
64	1	0904783	RETAINER PIN ASSY (NOT SHOWN)

Section VI - PARTS (cont'd)

BOOM & DUAL WINCH HYDRAULICS



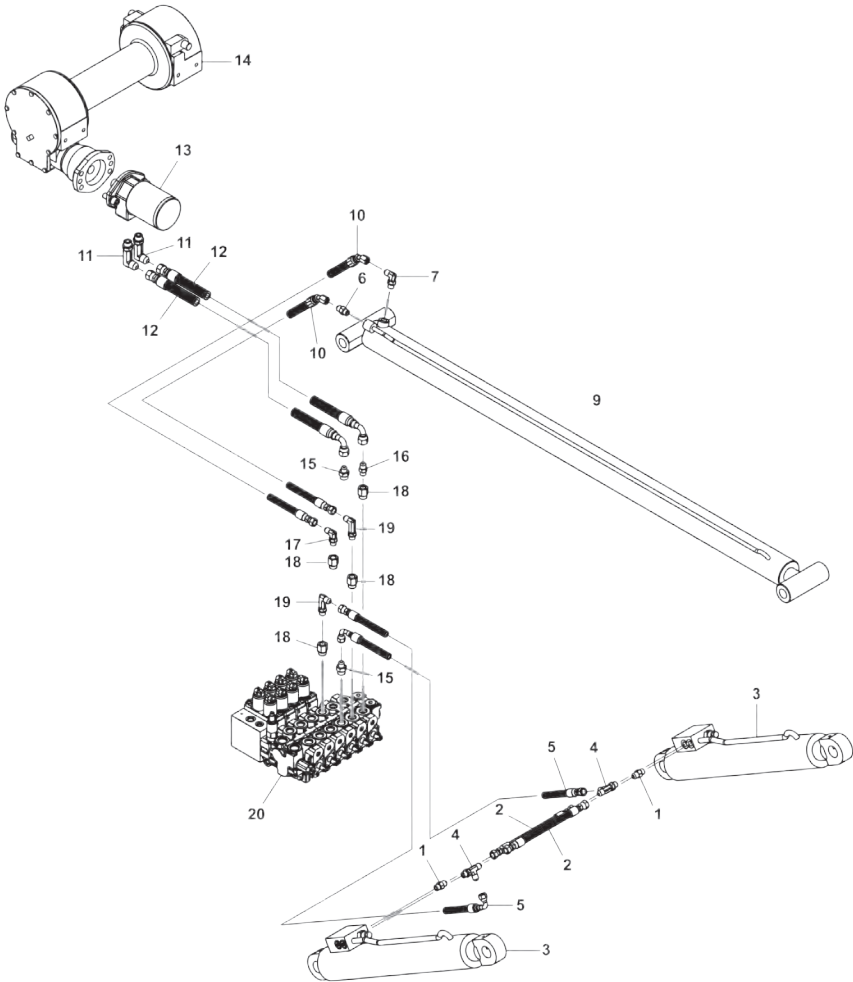
Section VI - PARTS (cont'd)

BOOM & DUAL WINCH HYDRAULICS

REF. NO.	NO. REQ'D	PART NUMBER	DESCRIPTION
--	--	0908388	SUBFRAME ASSEMBLY, GENERIC EXPRESS
1	2	0301522	CONNECTOR, 6MJ-6MB
2	2	0301524	HOSE ASSEMBLY, 14"
3	2	0307575	CYLINDER, BOOM LIFT
4	2	9012594	RUN TEE, 6MJ-6MB-6MJ
5	2	810770015	HOSE ASSEMBLY, 29"
--	--	0908389	BOOM & W/L ASSEMBLY
6	1	0301522	CONNECTOR, 6MJ-6MB
7	1	0301620	ELBOW, 6MJ-6MB90
8	8 FT.	0303193	SKUFF JACKET, BLACK SJ16 (NOT SHOWN)
9	1	0307578	CYLINDER, BOOM EXTEND
10	2	0307633	HOSE ASSEMBLY, 46"
--	--	0908391	8K DUAL WINCH BUCKET ASSEMBLY
11	4	0301388	ELBOW, 8MJ-8MB90
12	4	0302584	HOSE ASSEMBLY, 50"
13	2	0307097	HYD MOTOR, PARKER 4 CU. IN.
14	1	0307579	WINCH, LEFT
15	1	0307580	WINCH, RIGHT
--	--	0908396	7-SPOOL VALVE PLATE ASSEMBLY
16	3	0300044	CONNECTOR, 6MJ-8MB
17	2	0301522	CONNECTOR, 6MJ-6MB
18	1	0301620	ELBOW, 6MJ-6MB90
19	5	0303017	CONNECTOR, 8MB-6FB
20	2	0307460	ELBOW, 6MJ-6MB90LL
21	1	0307573	VALVE, 7 SPOOL HUSCO

Section VI - PARTS (cont'd)

BOOM & SINGLE WINCH HYDRAULICS



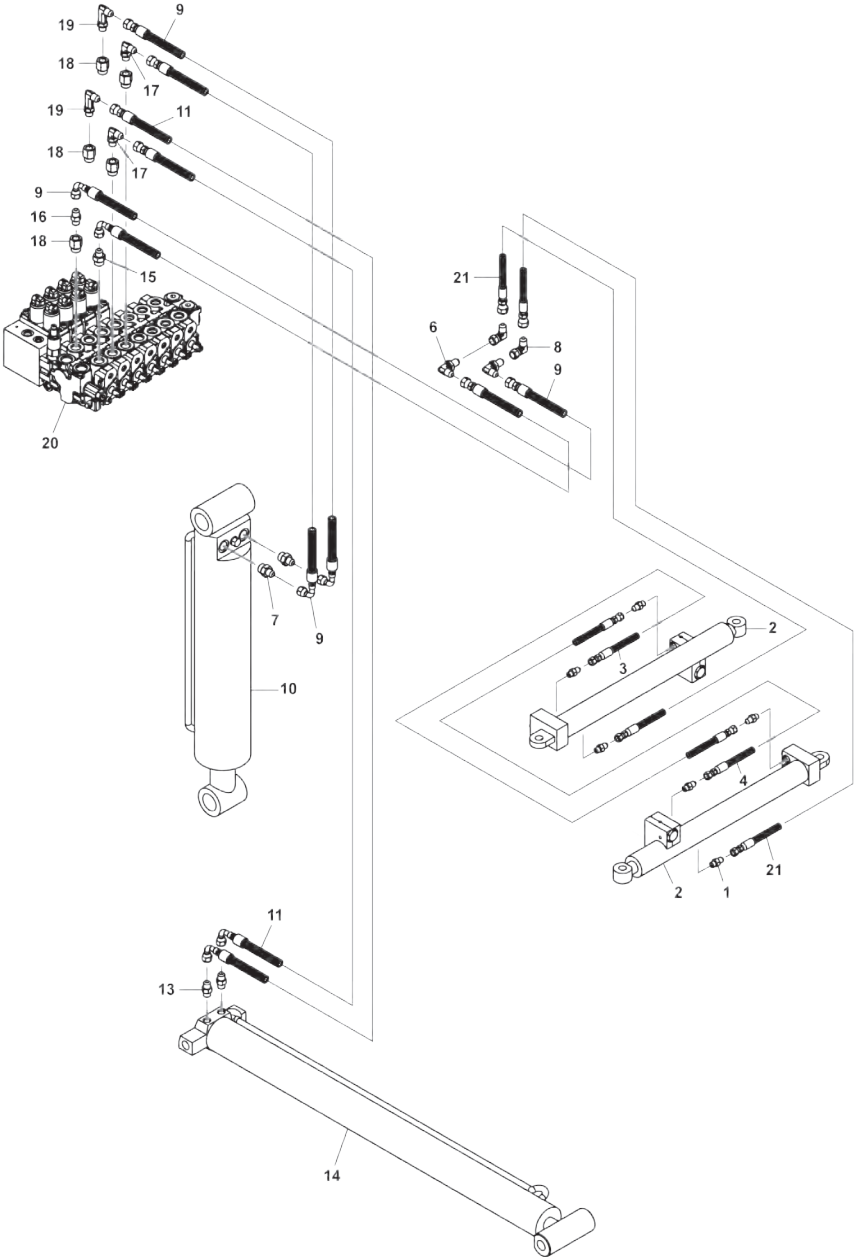
Section VI - PARTS (cont'd)

BOOM & SINGLE WINCH HYDRAULICS

REF. NO.	NO. REQ'D	PART NUMBER	DESCRIPTION
--	--	0908388	SUBFRAME ASSEMBLY, GENERIC EXPRESS
1	2	0301522	CONNECTOR, 6MJ-6MB
2	2	0301524	HOSE ASSEMBLY, 14"
3	2	0307575	CYLINDER, BOOM LIFT
4	2	9012594	RUN TEE, 6MJ-6MB-6MJ
5	2	810770015	HOSE ASSEMBLY, 29"
--	--	0908389	BOOM & W/L ASSEMBLY
6	1	0301522	CONNECTOR, 6MJ-6MB
7	1	0301620	ELBOW, 6MJ-6MB90
8	8 FT.	0303193	SKUFF JACKET, BLACK SJ16 (NOT SHOWN)
9	1	0307578	CYLINDER, BOOM EXTEND
10	2	0307633	HOSE ASSEMBLY, 46"
--	--	0908392	8K SINGLE WINCH BUCKET ASSEMBLY
11	2	0302508	ELBOW, 8MJ-8MB90
12	2	0302584	HOSE ASSEMBLY, 50"
13	1	0307097	HYD MOTOR, PARKER 4 CU. IN.
14	1	0307579	WINCH, LEFT
--	--	0908395	6-SPOOL VALVE PLATE ASSEMBLY
15	2	0300044	CONNECTOR, 6MJ-8MB
16	1	0301522	CONNECTOR, 6MJ-6MB
17	1	0301620	ELBOW, 6MJ-6MB90
18	4	0303017	CONNECTOR, 8MB-6FB
19	2	0307460	ELBOW, 6MJ-6MB90LL
20	1	0307574	VALVE, 6 SPOOL HUSCO

Section VI - PARTS (cont'd)

WHEEL LIFT HYDRAULICS



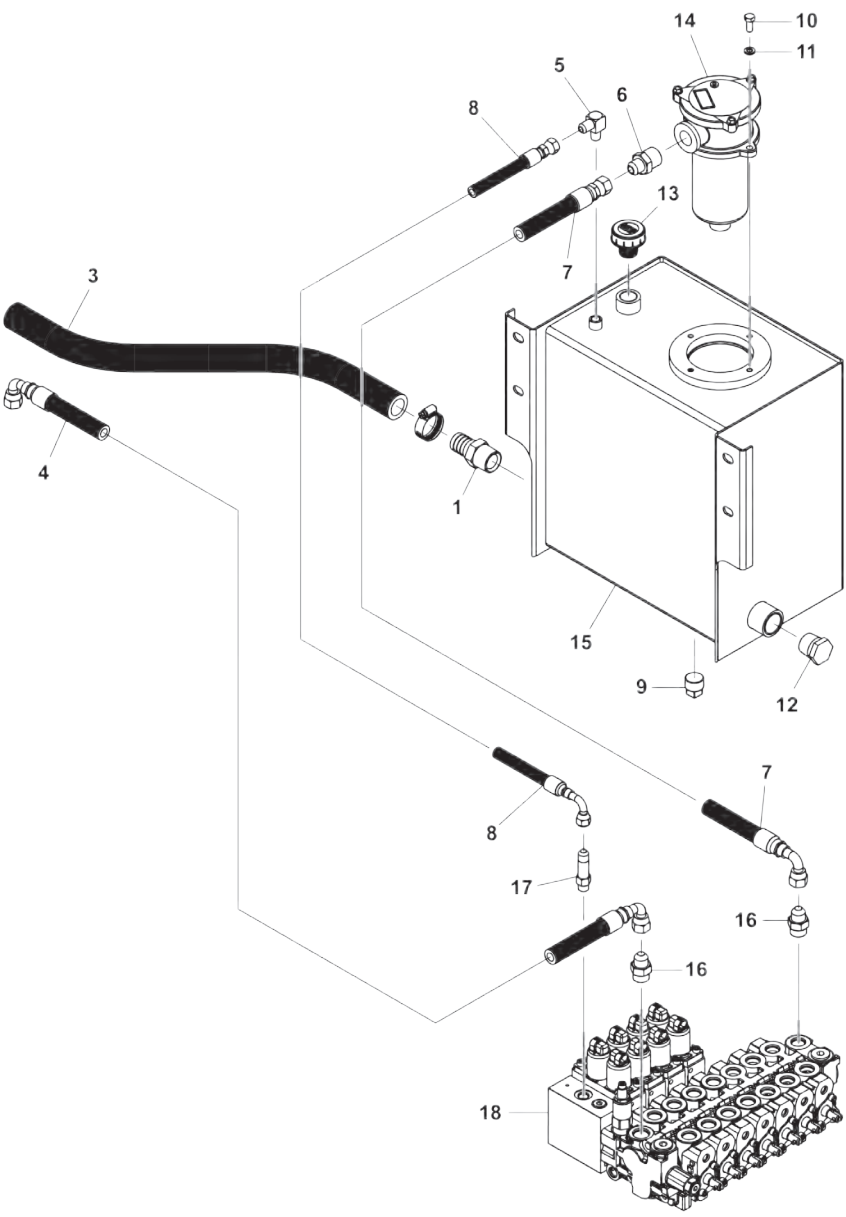
Section VI - PARTS (cont'd)

WHEEL LIFT HYDRAULICS

REF. NO.	NO. REQ'D	PART NUMBER	DESCRIPTION
--	1	0908352	CROSSBAR ASSEMBLY W/ POS FORK
1	6	HC1291	CONNECTOR, 4MJ-4MB STR THR
2	2	0303844	CYLINDER, SWING L-ARM
3	1	0303860	HOSE ASSEMBLY, 10-3/4"
4	1	0303861	HOSE ASSEMBLY, 17"
5	2	0303886	PLUG, 4MB (NOT SHOWN)
--	1	0908389	BOOM & WHEEL LIFT ASSEMBLY
6	2	FC41	ELBOW, 6MJ BLKHD 90 W/ NUT
7	2	0300044	CONNECTOR, 6MJ-8MB
8	2	0301696	ELBOW, 6MJ-6FJX90
9	4	0301921	HOSE ASSEMBLY, 128"
10	1	0302919	CYLINDER, FOLD 211
11	2	0302922	HOSE ASSEMBLY, 170"
12	8	0303193	BLACK SKUFF JACKET SJ16 (NOT SHOWN)
--	1	0908390	WHEEL LIFT BOOM ASSEMBLY
13	2	0301522	CONNECTOR, 6MJ-6MB
14	1	0303020	CYLINDER, EXTEND EB3 (JI3)
--	1	0908396	7-SPOOL VALVE PLATE ASSEMBLY
15	1	0300044	CONNECTOR, 6MJ-8MB
16	1	0301522	CONNECTOR, 6MJ-6MB
17	2	0301620	ELBOW, 6MJ-6MB90
18	5	0303017	CONNECTOR, 8MB-6FB
19	2	0307460	ELBOW, 6MJ-6MB90LL
20	1	0307573	VALVE, 7 SPOOL HUSCO
--	1	0908400	HOSE TENSIONER
21	2	807770012	HOSE ASSEMBLY, 116-1/2"

Section VI - PARTS (cont'd)

PUMP, VALVE & FILTER HYDRAULICS



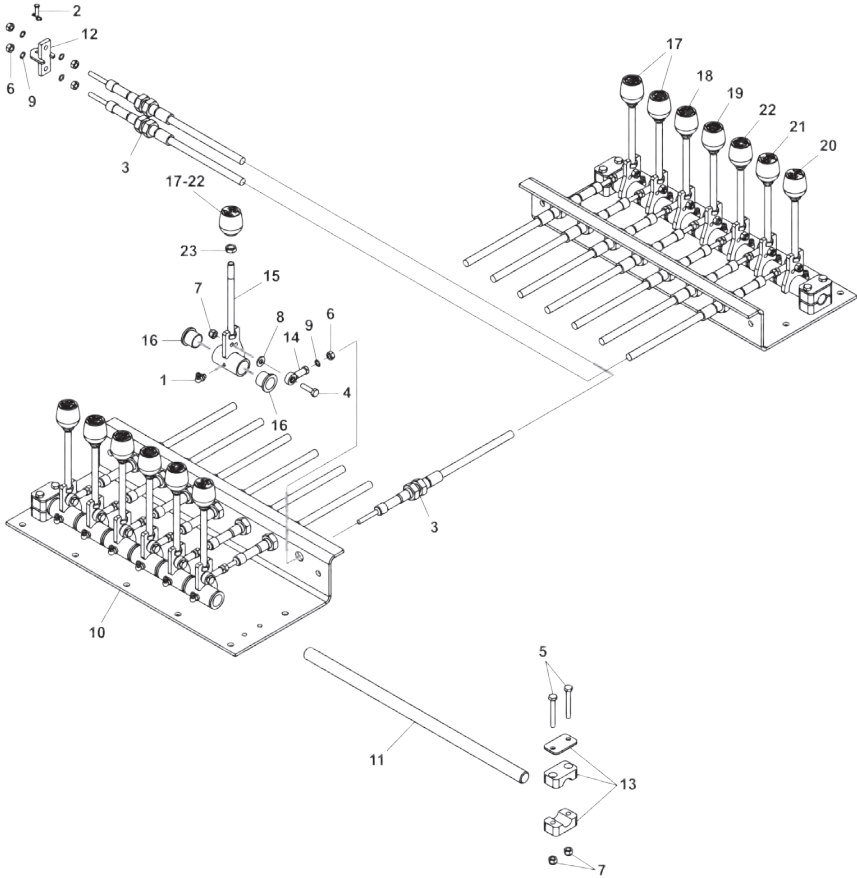
Section VI - PARTS (cont'd)

PUMP, VALVE & FILTER HYDRAULICS

REF. NO.	NO. REQ'D	PART NUMBER	DESCRIPTION
1	1	0300056	HOSE BARB 16C4-16MP
2	3	0303373	CLAMP, INSULATED 2"
3	1	0702540	SUCTION HOSE, 12 FT (1" ID)
4	1	810770020	HOSE ASSEMBLY, 150"
--	--	0908388	SUBFRAME ASSEMBLY, GENERIC EXPRESS
5	1	0300142	ELBOW, 6MJ-4MP90
6	1	0301881	CONNECTOR, 8MJ-12MP
7	1	0302313	HOSE ASSEMBLY, 25"
8	1	880010003	HOSE ASSEMBLY, 41"
--	--	805031500	HYDRAULIC TANK ASSEMBLY
9	1	0303155	PIPE PLUG, 3/4" NPT MAGNETIC
10	2	0400118	SCREW, 5/16"-18 X 3/4" HEX HD CAP GR5 ZP
11	2	0400464	LOCKWASHER, 5/16" HELICAL ZP
12	1	9012839	PIPE PLUG, 1"
13	1	9018131	BREATHER CAP, (LUCAS) 3/4"
14	1	9018399	IMMERSION FILTER ASSEMBLY
15	1	805031400	HYDRAULIC TANK WELDMENT
--	--	--	VALVE PLATE ASSEMBLY
16	2	0301376	CONNECTOR, 8MJ-10MB
17	1	0302510	CONNECTOR, 6MJ-6MBL
18	1	0307573	VALVE, 7 SPOOL HUSCO
	1	0307574	VALVE, 6 SPOOL HUSCO

Section VI - PARTS (cont'd)

DUAL WINCH CONTROL ASSEMBLY



Section VI - PARTS (cont'd)

DUAL WINCH CONTROL ASSEMBLY

REF. NO.	NO. REQ'D	PART NUMBER	DESCRIPTION
--	--	0908404	7-HANDLE DUAL CONTROL ASSEMBLY
1	14	0301397	GREASE FITTING, 1/4"-28 X 90°
2	7	0307456	CLEVIS PIN, 3/16" X 3/4" ZP
3	14	0307634	CONTROL CABLE
4	14	0400070	SCREW, 1/4"-20 X 1" HEX HD CAP GR5 ZP
5	8	0400078	SCREW, 1/4"-20 X 2" HEX HD CAP GR5 ZP
6	28	0400365	NUT, 1/4"-28 HEX ZP
7	22	0400367	NUT, 1/4"-20 NYLOK HEX ZP
8	14	0400451	WASHER, 1/4" FLAT ZP
9	28	0400458	LOCKWASHER, 1/4" STAR ZP
10	2	0718257	CONTROL HANDLE MOUNTING PLATE
11	2	0718259	ROD, CONTROL HANDLE PIVOT
12	7	0806851	CONTROL LINK WELDMENT
13	4	9018256	TUBE CLAMP, 3/4"
14	14	HD0900	ROD END BEARING, 1/4"-28
--	--	0908406	CONTROL HANDLE ASSEMBLY
15	14	0806852	CONTROL HANDLE WELDMENT
16	28	9053524	FLANGE BEARING, BRONZE
--	--	0903590	CONTROL KNOB KIT
17	4	0300834	KNOB, CABLE (IN-OUT)
18	2	0300835	KNOB, BOOM (UP-DOWN)
19	2	0300837	KNOB, BOOM (IN-OUT)
20	2	0302856	KNOB, WHEEL LIFT TILT (UP-DOWN)
21	2	0302917	KNOB, WHEEL LIFT EXTEND (IN-OUT)
22	2	0303283	KNOB, CLAW (CLOSE-OPEN)
23	14	0400393	NUT, 3/8"-16 HEX JAM ZP

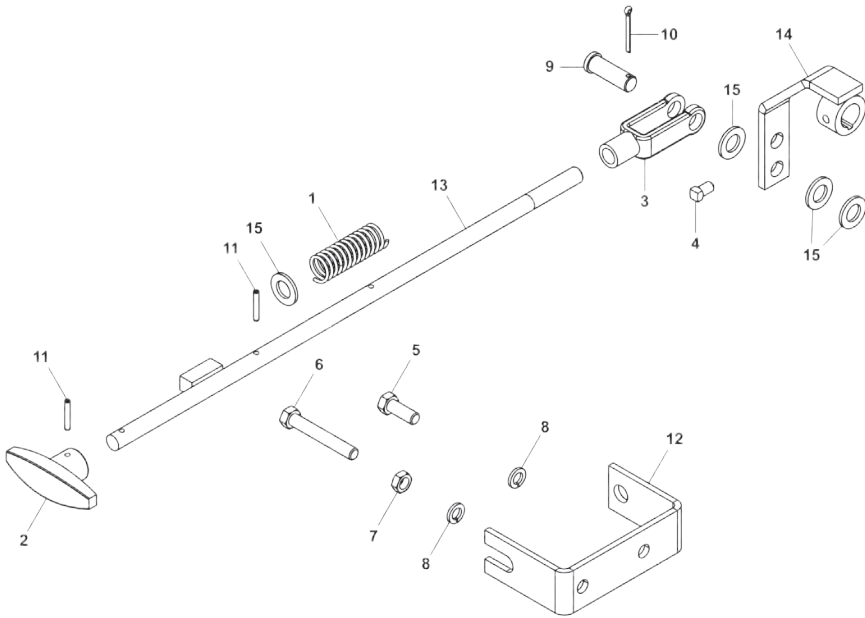
Section VI - PARTS (cont'd)

SINGLE WINCH CONTROL ASSEMBLY

REF. NO.	NO. REQ'D	PART NUMBER	DESCRIPTION
--	--	0908405	6-HANDLE DUAL CONTROL ASSEMBLY
1	12	0301397	GREASE FITTING, 1/4"-28 X 90°
2	6	0307456	CLEVIS PIN, 3/16" X 3/4" ZP
3	12	0307634	CONTROL CABLE
4	2	0307772	PLUG, 3/4"
5	12	0400070	SCREW, 1/4"-20 X 1" HEX HD CAP GR5 ZP
6	8	0400078	SCREW, 1/4"-20 X 2" HEX HD CAP GR5 ZP
7	24	0400365	NUT, 1/4"-28 HEX ZP
8	20	0400367	NUT, 1/4"-20 NYLOK HEX ZP
9	12	0400451	WASHER, 1/4" FLAT ZP
10	24	0400458	LOCKWASHER, 1/4" STAR ZP
11	2	0718257	CONTROL HANDLE MOUNTING PLATE
12	2	0718259	ROD, CONTROL HANDLE PIVOT
13	2	0718535	SPACER
14	6	0806851	CONTROL LINK WELDMENT
15	4	9018256	TUBE CLAMP, 3/4"
16	12	HD0900	ROD END BEARING, 1/4"-28
--	--	0908406	CONTROL HANDLE ASSEMBLY
17	12	0806852	CONTROL HANDLE WELDMENT
18	24	9053524	FLANGE BEARING, BRONZE
--	--	0903590	CONTROL KNOB KIT
19	2	0300834	KNOB, CABLE (IN-OUT)
20	2	0300835	KNOB, BOOM (UP-DOWN)
21	2	0300837	KNOB, BOOM (IN-OUT)
22	2	0302856	KNOB, WHEEL LIFT TILT (UP-DOWN)
23	2	0302917	KNOB, WHEEL LIFT EXTEND (IN-OUT)
24	2	0303283	KNOB, CLAW (CLOSE-OPEN)
25	12	0400393	NUT, 3/8"-16 HEX JAM ZP

Section VI - PARTS (cont'd)

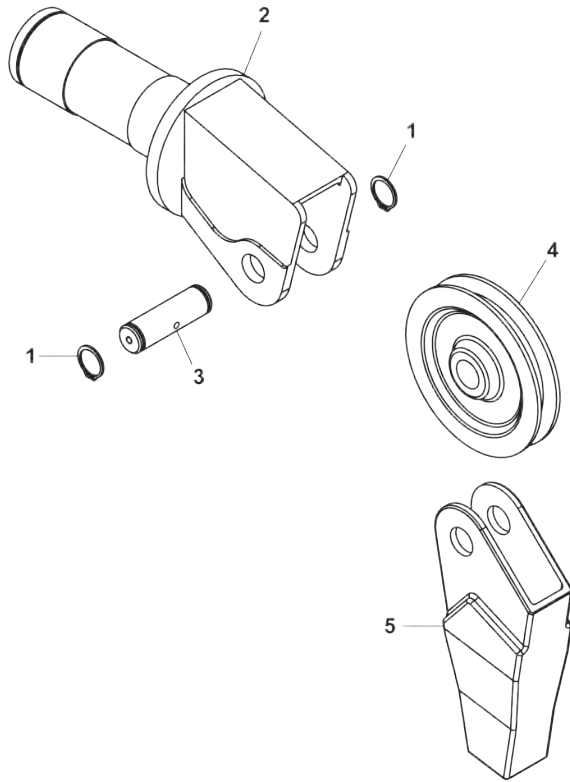
WINCH CLUTCH CONTROL ASSEMBLY



REF. NO.	NO. REQ'D	PART NUMBER	DESCRIPTION
--	--	0908627	WINCH FREESPOOL ASSEMBLY, MODULAR
1	1	0300845	COMPRESSION SPRING
2	1	0301532	"T" HANDLE
3	1	0301588	ADJUSTABLE YOKE
4	1	0400116	SCREW, 5/16"-18 X 1/2" SQ HD SET
5	1	0400126	SCREW, 3/8"-16 X 1" HEX HD CAP GR5 ZP
6	1	0400150	SCREW, 3/8"-16 X 2-1/2" HEX HD CAP GR5 ZP
7	1	0400393	NUT, 3/8"-16 HEX JAM ZP
8	2	0400482	LOCKWASHER, 3/8" HELICAL ZP
9	1	0400537	CLEVIS PIN, 1/2" X 1-1/2" ZP
10	1	0400546	COTTER PIN, 1/8" X 1-1/4"
11	2	0400560	ROLL PIN, 5/32" X 1" ZP
12	1	0702408	MOUNTING CHANNEL
13	1	0800781	CONTROL ROD, DUAL
14	1	0806995	BELL CRANK WELDMENT
15	4	DE1381	WASHER, 1/2" SAE 17/32" ID

Section VI - PARTS (cont'd)

BOOM SWIVEL ASSEMBLY



REF. NO.	NO. REQ'D	PART NUMBER	DESCRIPTION
--	--	805180000	SHEAVE HOUSING ASSEMBLY
1	2	9056098	RETAINING RING, EXT 1" NOM HVY DUTY
2	1	804181500	SHEAVE HOUSING CASTING
3	1	805180001	SHEAVE SHAFT
4	1	805180002	SHEAVE CASTING
5	1	852060100	CABLE GUIDE CASTING

Section VI - PARTS (cont'd)

MISCELLANEOUS KIT PARTS

REF. NO.	NO. REQ'D	PART NUMBER	DESCRIPTION
--	--	--	SHIP KIT, 807
1	1	SS486	DECAL, OIL
2	1	HC1335	PIPE NIPPLE, 1" CLOSED THR
3	2	891000001	MUD FLAP
4	2 / 1	0303051	WIRE ROPE, 3/8" 6x19 IPS 100'
5	1	0303923	HANDHELD REMOTE, 4-SW 20 FT-EXP
6	1	0307544	SWING CHECK VALVE, 1" BRONZE
7	8	0307606	CONNECTOR, FEMALE TS 12162193-B
8	16	0307607	TERMINAL, FEMALE (TS 12124075)
9	8	0400601	SCREW, 1/4"X1" RD HD PHILLIPS
10	3	0500241	DECAL, SAFETY CHAIN WARNING
11	3	0500686	DECAL, RETRACT CAUTION
12	3	0500740	DECAL, RATING 4000 L-ARM
13	2	0501167	VULCAN NAMEPLATE, PLASTIC
13	2	0718738	COVER PLATE, CONTROL 7-HANDLE
14	2	0718739	COVER PLATE, CONTROL 5-HANDLE
14	2	810620500	WHEEL SPACER WELDMENT
--	--	--	CABLE STRAP
15	2 / 1	0301533	TIE DOWN STRAP, 15"
16	2 / 1	0400078	SCREW, 1/4"-20 X 2" HEX HD CAP GR5 ZP
17	2 / 1	0400367	NUT, 1/4"-20 NYLOK HEX ZP
18	4 / 2	0400451	WASHER, 1/4" FLAT ZP
--	2	0906401	TIE-DOWN STRAP ASSEMBLY
19	1	0306724	STRAP, 8' W/SLEEVE & HOOK
20	1	0306729	RATCHET ASSEMBLY W/HOOK
21	1	0501080	OPER INSTRUCTIONS, TIE DOWN STRAP
--	--	0908290	MODULAR BOX KIT, SHIP KIT
22	2	9018092	HOSE CLAMP, HS24
23	2	9025068	REFLECTOR DECAL, PETERSON B489R
24	2	804500001	MUD FLAP BACK-UP STRIP
25	2	810960001	CHAIN POCKET PLATE, SHIP KIT
--	--	0906112	810 FITTING BAG
26	1	HC1335	PIPE NIPPLE, 1" CLOSED THR
27	1	0300056	BARB, 16C4-16MP
28	2	0301391	CONNECTOR, 8MJ-12MP
29	3	0303373	CLAMP, 2" INSULATED
30	1	0303564	PIPE PLUG, 1" NPT MALE

Section VI - PARTS (cont'd)

MISCELLANEOUS KIT PARTS (cont'd)

REF. NO.	NO. REQ'D	PART NUMBER	DESCRIPTION
--	--	0907280	806, 807, 810 SS BOLT BAG
31	6	0400057	1/4"-20 X 1-1/4" HHCS
32	6	0400070	1/4"-20 X 1" HHCS GR5 ZP
33	4	0400177	1/2"-13 X 1-1/4" HHCS GR5 ZP
34	18	0400343	1/2"-13 X 2" HHCS GR 8 ZP
35	8	0400367	1/4"-20 NYLOK HEX NUT ZP
36	30	0400408	1/2"-13 NYLOK HEX NUT ZP
37	8	0400421	5/8"-11 NYLOK HEX NUT ZP
38	14	0400451	1/4" FLAT WASHER ZP
39	2	0400452	1/4" HELICAL LOCKWASHER ZP
40	60	0400492	1/2" FLAT WASHER ZP
41	20	0400505	5/8" SAE WASHER
42	8	0401000	1/2"-13 X 2" BUTTON HD
43	16	0402043	3/8"-16NC x 1-1/4" HHCS SS
44	22	0402120	3/8" FLAT WASHER 316 SS
45	16	0402123	NUT, 3/8"-16 NYLOK SS
46	8	9041605	5/8" NC X 2" HHCS PL GR8
47	20	9046527	POP RIVET 3/16 X 7/16 AL
48	6	9046572	POP RIVET, 1/8 X 1/2 GRIP
--	--	0908289	LIGHT PARTS BAG
49	2	GV57	RUBBER GROMMET, ATLANTIC
50	1	0300076	LICENSE PLATE BRACKET (LT0117)
51	1	0300273	LICENSE PLATE ILLUMINATOR (LIGHT ONLY)
52	1	0300442	LIGHT, 3 BAR 15741R (9025006)
53	1	0301671	TOW LIGHT SOCKET (4 PIN)
54	2	0301741	SEALED MARKER LIGHT, RED 2.5" RD
55	20	0302062	WIRE TIE, 21"
56	1	0303061	BACK UP ALARM ECCOMS97
57	2	0303126	SEALED MARKER LIGHT, AMBER 2.5" RD
58	4	0303127	GROMMET FOR 2.5" ROUND MARKER
59	1	0303226	80 AMP CIRCUIT BREAKER
60	2	0306683	LAMP, RED/STOP/TURN/TAIL
61	2	0306684	LIGHT, BACKUP W/REFLECTOR, RECT
62	4	0306685	GROMMET TRUCKLITE 45700, RECT
63	6	9022009	BUTT SPLICE (14-16) 2RB1
64	5	9022076	RING TERM 14-16GA10 ST
65	2	9032053	GROMMET, RUBBER McMAST. 5/8x1/8



Miller Industries Towing Equipment Inc.
8503 Hilltop Drive • Ooltewah, Tennessee 37363 • (423) 238-7227
www.millerind.com