



## OWNER'S MANUAL

# V-90 / V-100

## INSTALLATION, OPERATION, MAINTENANCE & PARTS

**NOTE: MANUAL including SPECIFICATIONS, subject to change without notice**  
All ratings specified are based on structural factors only,  
not vehicle capacities or capabilities.



8503 Hilltop Drive  
Ooltewah, Tennessee 37363  
Phone (423) 238-7227 • FAX (423) 238-7237

FORM NO. 0501128  
09 / 02  
PRICE \$25.00

## LIMITED WARRANTY

MILLER INDUSTRIES TOWING EQUIPMENT INC., hereinafter referred to as MILLER, warrants to the original purchaser that each new MILLER wrecker or other MILLER products will be free from defects in material and workmanship for a period of twelve (12) months from date placed in service, but in no event shall such warranty period exceed twenty-four (24) months from date of manufacture by MILLER. The purchaser must promptly notify MILLER in writing of any failure in material or workmanship. In no event shall MILLER accept such notification later than twenty-four (24) months from date of delivery or twelve (12) months from date placed in service, whichever is earlier.

MILLER's obligation under this warranty, statutory or otherwise, is limited to the repair or replacement at the MILLER factory, or at a point designated by MILLER, of such part or parts as shall appear upon inspection by MILLER to be defective in material or workmanship. New or remanufactured parts will be used for any replacement at MILLER's option. This warranty is not transferable. This warranty does not obligate MILLER to bear the cost of labor or transportation charges in connection with the repair or replacement of any parts found to be defective, nor shall it apply to a product upon which repairs or alterations have been made unless authorized by MILLER.

EXCEPT AS EXPRESSLY SET FORTH IN THIS WARRANTY, MILLER MAKES NO OTHER WARRANTY, EXPRESS OR IMPLIED, AND HEREBY DISCLAIMS ALL OTHER WARRANTIES INCLUDING, BUT NOT LIMITED TO, THE IMPLIED WARRANTIES OF MERCHANTABILITY AND FITNESS FOR A PARTICULAR PURPOSE. MILLER shall in no event be liable for claimed downtime, claimed loss of profits or goodwill, or any other special, incidental, indirect, or consequential damages concerning or relating to any product or parts, whether based on negligence, strict liability, breach of contract, breach of warranty, misrepresentation or any other legal theory, regardless of whether the loss resulted from any general or particular requirement which MILLER knew or had reason to know about at the time of sale.

MILLER MAKES NO WARRANTY, EXPRESS OR IMPLIED, AS TO THE FINISHED PRODUCTS MANUFACTURED OR SUPPLIED BY ANOTHER MANUFACTURER AND SUPPLIED BY MILLER TO PURCHASER, including, but not limited to, any vehicle to which a MILLER product may be affixed or any accessories or wire rope, and MILLER EXPRESSLY DISCLAIMS ANY IMPLIED WARRANTIES OF MERCHANTABILITY OR FITNESS FOR A PARTICULAR PURPOSE AS TO SUCH EQUIPMENT OR PRODUCTS. This language shall in no way affect or diminish the rights of the purchaser to rely on such warranties as are extended by such manufacturers or suppliers. MILLER shall, to the extent permitted under applicable law, pass on to the purchaser such manufacturer's or seller's warranty.

MILLER, whose policy is one of continuous improvement, reserves the right to improve its products through changes in design or materials as it may deem desirable without being obligated to incorporate such changes in products previously sold. This warranty is not intended to cover or include the following items, which are set forth by way of example and not limitation:

- A. Normal deterioration of trim, paint, lettering, and appearance items due to wear or exposure to weather, road conditions, road treatments, etc.
- B. Any damage or defect due to accident, misuse, abuse, improper or unauthorized repairs, failure to provide reasonable and necessary maintenance, or uses for which the equipment was not designed or intended.
- C. Alterations or modifications that affect performance, operation or reliability.
- D. Normal maintenance parts including, but not limited to, wear pads, bushings, wire rope, mud flaps, fenderettes, light bulbs, hydraulic oil, filters, and tow sling belts.

**IT IS EXPRESSLY UNDERSTOOD THAT MILLER MAKES NO IMPLIED WARRANTY THAT MILLER PRODUCTS SHALL BE FIT FOR THE PURPOSE OF LIFTING OR MOVING PEOPLE OR FOR ANY OTHER IMPROPER USE.**



Miller Industries Towing Equipment Inc.  
8503 Hilltop Drive  
Ooltewah, Tennessee 37363

Telephone (423) 238-7227

**SERIAL NUMBER**

## Section VI - PARTS

This Section is provided by the manufacturer for the purpose of ordering any component part of the **VULCAN V-90 / V-100** that may be required when part replacement is necessary. Be certain to use only original equipment replacement parts for warranty purposes as well as for keeping your **VULCAN V-90 / V-100** in its original state and optimum operating capacities. When ordering replacement or spare parts be sure to provide the following information to the manufacturer's **Parts Department**.

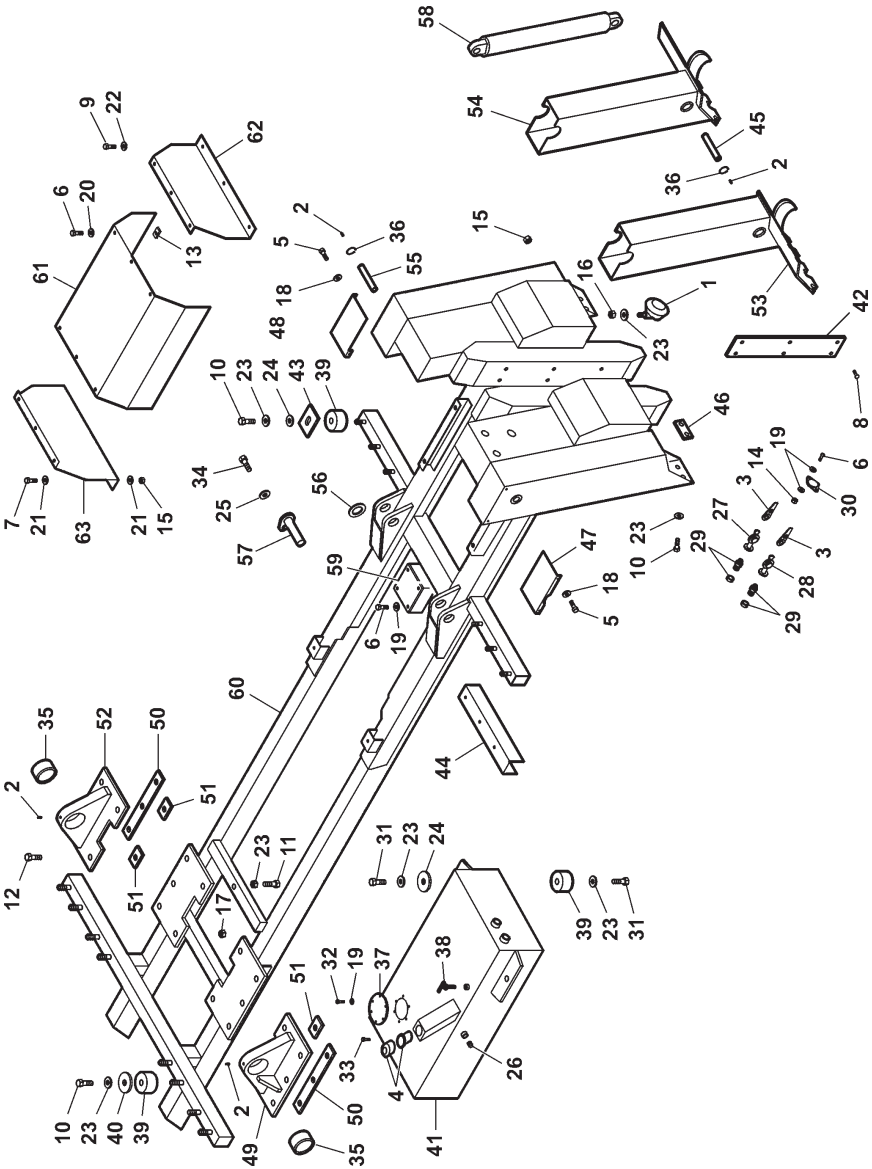
1. **Manual Number & Date of Publication**
2. **Manual Page Number**
3. **Page Title**
4. **Reference Number of Part Desired**
5. **Part Number**
6. **Part Description**
7. **Quantity of Part Desired**

Providing this information will help ensure that the correct parts will be delivered to you in an expedient manner without delay. Should additional information be required for repair or replacement of certain components, contact your Wrecker Manufacturer Authorized Representative.

The Manufacturer reserves the right, without notice or obligation, to improve or modify their products, which may change the specifications, models and feature availability.

# Section VI - PARTS (cont'd)

## SUBFRAME ASSEMBLY



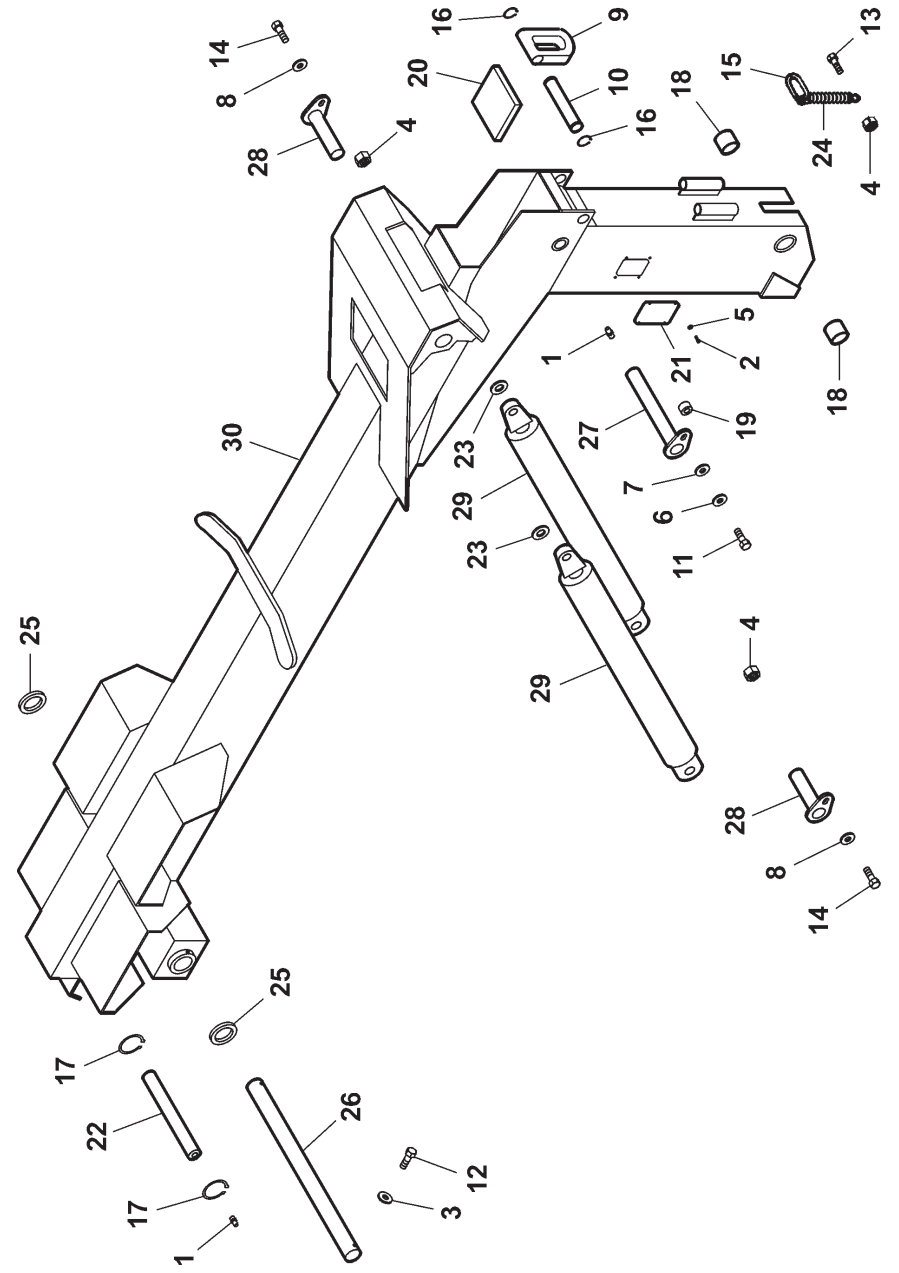
## Section VI - PARTS (cont'd)

### SUBFRAME ASSEMBLY

REF. NO.	NO. REQ'D	PART NUMBER	DESCRIPTION
1	2	0301505	HOOK-UP LIGHT
2	6	0301895	GREASE FITTING, 1/8" NPT
3	2	0301945	GLADHAND PLUG
4	1	0305006	FILLER CAP
5	6	0400066	SCREW, 1/4"-20 X 3/4" HEX HD CAP
6	10	0400109	SCREW, 5/16"-18 X 1" HEX HD CAP
7	2	0400126	SCREW, 3/8"-16 X 1" HEX HD CAP
8	12	0400128	SCREW, 3/8"-16 FL HD SKT
9	3	0400149	SCREW, 3/8"-16 X 5/8" HEX HD CAP
10	14	0400176	SCREW, 1/2"-13 X 1" HEX HD CAP
11	1	0400205	SCREW, 1/2"-13 X 3" HEX HD CAP
12	10	0400306	SCREW, 7/8"-9 X 3" HEX HD CAP
13	6	0400379	NUT, 5/16"-18 "J" TINNERMAN
14	4	0400382	NUT, 5/16"-18 NYLOK HEX
15	14	0400392	NUT, 3/8"-16 NYLOK HEX
16	2	0400408	NUT, 1/2"-13 NYLOK HEX
17	10	0400437	NUT, 7/8"-9 NYLOK HEX
18	6	0400452	LOCKWASHER, 1/4" HELICAL
19	8	0400463	WASHER, 5/16" FLAT
20	6	0400464	LOCKWASHER, 5/16" HELICAL
21	4	0400480	WASHER, 3/8" FLAT
22	3	0400482	LOCKWASHER, 3/8" HELICAL
23	24	0400491	LOCKWASHER, 1/2" HELICAL
24	9	0400492	WASHER, 1/2" FLAT
25	2	0400508	LOCKWASHER, 5/8" HELICAL
26	1	9011014	PLUG, 1/4 NPT
27	1	9018142	GLADHAND, BLUE COLLAR
28	1	9018143	GLADHAND, RED COLLAR
29	2	9018171	BULKHEAD FITTING
30	1	9023085	FEMALE CONNECTOR, 7-PIN
31	5	9041402	SCREW, 1/2"-13 X 1-1/4" HEX HD CAP
32	6	9043477	SCREW, 5/16"-18 X 1" SKT HD CAP

REF. NO.	NO. REQ'D	PART NUMBER	DESCRIPTION
33	6	9043827	SCREW, #10-32 X 3/4"
34	2	9043950	SCREW, 5/8"-11 X 1-1/2" HEX HD CAP
35	2	9053041	BEARING, SPHERICAL
36	8	9054150	RETAINING RING, 1-1/2"
37	1	9401408	INSPECTION COVER
38	1	9401418	DIPSTICK WELDMENT
39	17	9402970	TOOLBOX MOUNTING PAD
40	8	94310004	TOOLBOX MOUNTING WASHER
41	1	915780500	HYDRAULIC TANK
42	2	920051108	GUIDE PAD, NYLATRON
43	6	920400003	WASHER PLATE
44	2	920400521	REINFORCING CHANNEL
45	2	920900007	STIFF LEG PIN, LOWER
46	2	930020001	SPACER PLATE, STIFF LEG
47	1	930020002	STIFF LEG COVER PLATE, LH
48	1	930020003	STIFF LEG COVER PLATE, RH
49	1	930202500	PIVOT BLOCK WELDMENT, LH
50	2	930202504	TIE PLATE, BOOM PIVOT
51	4	930202505	WASHER PLATE, BOOM PIVOT
52	1	930209500	PIVOT BLOCK WELDMENT, RH
53	1	930220000	INNER STIFF LEG, LH
54	1	930227000	INNER STIFF LEG, RH
55	2	930350001	STIFF LEG PIN, UPPER
56	2	945020001	THRUST WASHER
57	2	945351500	PIN, LOWER LIFT CYLINDER
58	2	945720000	STIFF LEG CYLINDER
59	1	945801000	MAIN JUNCTION BOX
60	1	946210000	SUBFRAME WELDMENT
61	1	946402501	TOP PANEL COVER, DCV
62	1	946402600	REAR PANEL COVER, DCV
63	1	946402700	FRONT PANEL COVER, DCV

# Section VI - PARTS (cont'd) OUTER BOOM ASSEMBLY



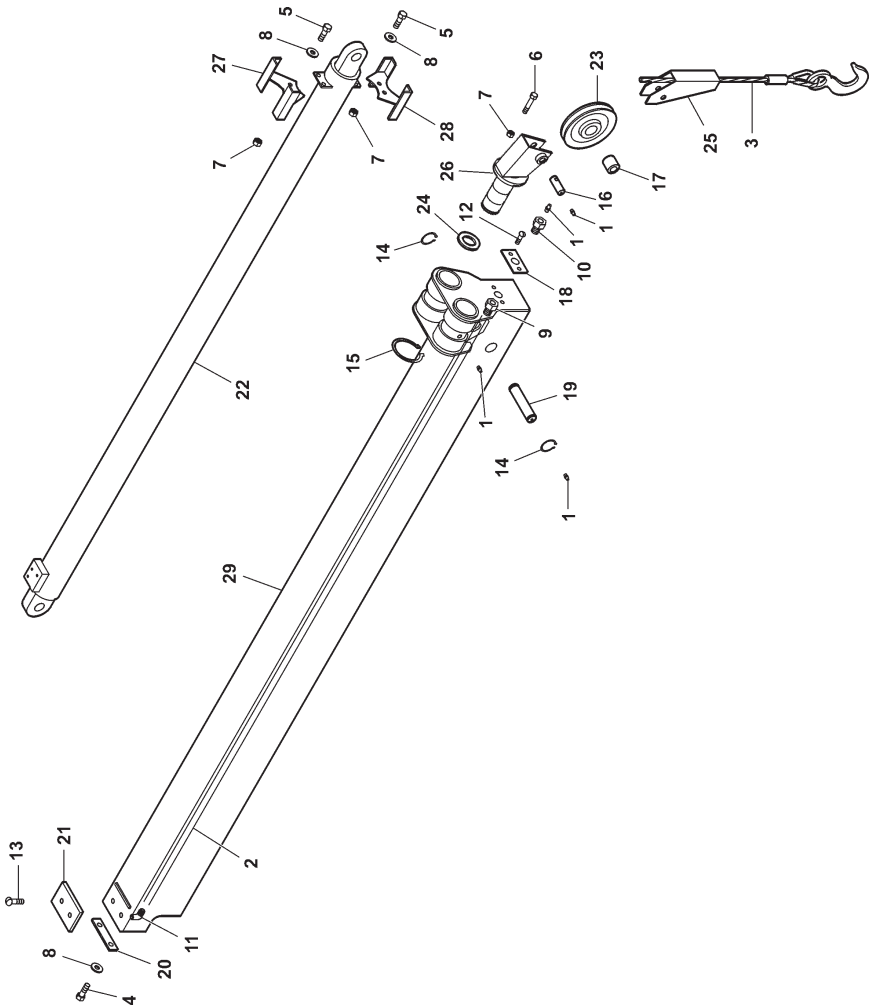
## Section VI - PARTS (cont'd)

### OUTER BOOM ASSEMBLY

REF. NO.	NO. REQ'D	PART NUMBER	DESCRIPTION
1	2	0301895	GREASE FITTING, 1/8" STR
2	4	0400066	SCREW, 1/4"-20 X 3/4" HEX HD CAP
3	2	0400424	NUT, 5/8"-18 HEX
4	4	0400426	NUT, 5/8"-11 NYLOK HEX
5	4	0400452	LOCKWASHER, 1/4" HELICAL
6	1	0400491	LOCKWASHER, 1/2" HELICAL
7	1	0400492	WASHER, 1/2" FLAT
8	2	0400505	WASHER, 5/8" FLAT
9	1	0708555	D-RING, TOWING
10	1	0715517	PIN, D-RING
11	1	9041403	SCREW, 1/2"-13 X 1-1/2" HEX HD CAP
12	2	9043605	SCREW, 5/8"-18 X 2" SKT HD CAP
13	2	9043975	SCREW, 5/8"-11 X 3-1/2" HEX HD CAP
14	2	9044409	SCREW, 5/8"-11 X 2-1/4" HEX HD CAP
15	2	9048800	WELDLESS CHAIN LINK, 5/8"
16	2	9056137	RETAINING RING, 1-3/8"
17	2	9056150	RETAINING RING, 1-1/2"
18	2	9400004	BRONZE BUSHING
19	1	920255003	SPACER, LOCK PIN WELDMENT
20	1	930100002	WEAR PAD, LOWER
21	1	930290002	COVER PLATE, VERTICAL BOOM
22	1	930350002	PIN, EXTENSION CYLINDER FRONT
23	2	945020001	WASHER PLATE, LOWER LIFT CYLINDER
24	2	945030007	CABLE TIE BACK SPRING
25	2	945040001	SPACER, MAIN BOOM PIVOT
26	1	945350001	PIVOT PIN, MAIN BOOM
27	1	945350500	PIN WELDMENT, TILT CYLINDER UPPER
28	2	945351500	PIN WELDMENT, LOWER LIFT CYLINDER
29	2	945700000	LIFT CYLINDER (V-90)
	2	946700000	LIFT CYLINDER (V-100)
30	1	946250000	OUTER BOOM WELDMENT

# Section VI - PARTS (cont'd)

## INNER BOOM ASSEMBLY





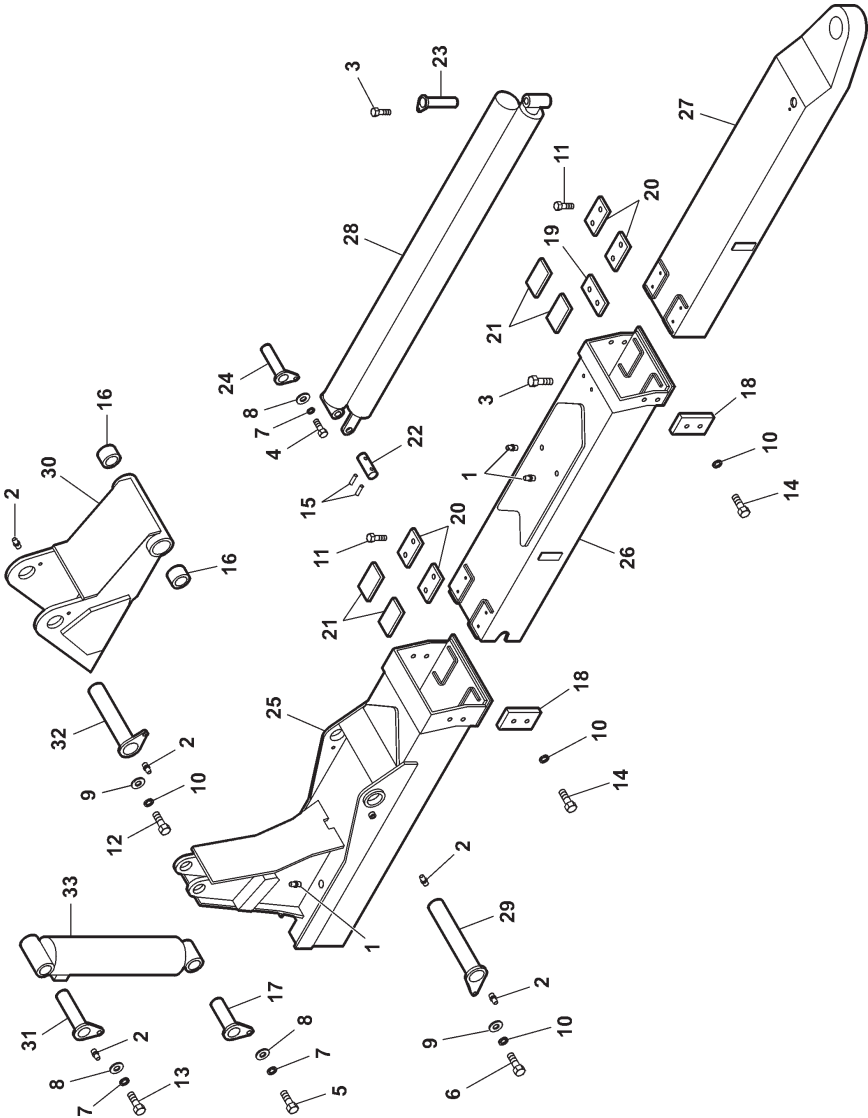
## Section VI - PARTS (cont'd)

### INNER BOOM ASSEMBLY

REF. NO.	NO. REQ'D	PART NUMBER	DESCRIPTION
1	6	0301895	GREASE FITTING, 1/8" STR
2	14 FT.	0301949	SYNFLEX HOSE, 3/8"
3	2	0301215	WINCH CABLE, 3/4" X 200'
4	2	0400126	SCREW, 3/8"-16 X 1" HEX HD CAP
5	5	0400132	SCREW, 3/8"-16 X 1-1/2" HEX HD CAP
6	2	0400140	SCREW, 3/8"-16 X 4" HEX HD CAP
7	6	0400392	NUT, 3/8"-16 NYLOK HEX
8	6	0400482	LOCKWASHER, 3/8" HELICAL
9	1	9012549	CONNECTOR, 3/8" TUBE X 1/8" NPT
10	1	9012552	BULKHEAD COUPLING, 1/8"
11	1	9012584	ELBOW, 1/4" NPT X 3/8" TUBE 90
12	2	9043827	SCREW, #10-32 X 5/8" PAN HD PH HD
13	2	9044434	SCREW, 3/8"-16 X 1" FL SKT HD
14	2	9054150	RETAINING RING, 1-1/2"
15	2	9055207	RETAINING RING, 4-1/2"
16	2	9401004	PIN, SHEAVE
17	2	9401007	BUSHING
18	1	9403411	LUBRICATOR MOUNTING PLATE
19	1	930350003	PIN, EXTENSION CYLINDER REAR
20	1	945030001	PAD RETAINING PLATE, UPPER PAD
21	1	945030004	WEAR PAD, UPPER
22	1	945710000	RECOVERY BOOM EXTENSION CYLINDER
23	2	946030002	SHEAVE
24	2	946030003	SPACER, SHEAVE
25	2	946030500	CABLE GUIDE WELDMENT
26	2	946031000	SHEAVE BRACKET WELDMENT
27	1	946032000	TOP SPIDER CLAMP WELDMENT
28	1	946032500	BOTTOM SPIDER CLAMP WELDMENT
29	1	946280000	INNER BOOM WELDMENT

# Section VI - PARTS (cont'd)

## UNDERLIFT ASSEMBLY



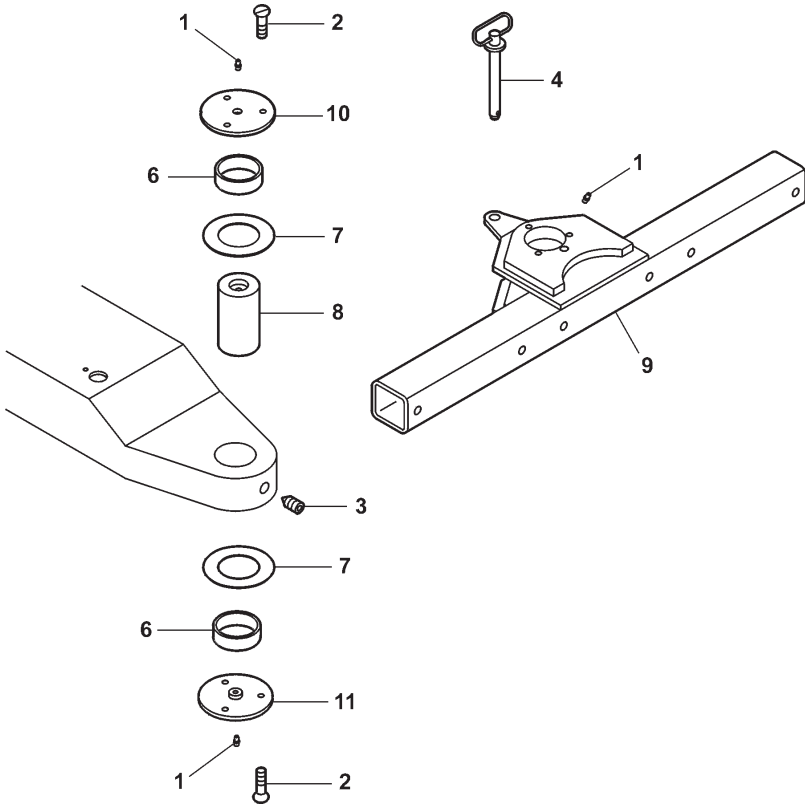
## Section VI - PARTS (cont'd)

### UNDERLIFT ASSEMBLY

REF. NO.	NO. REQ'D	PART NUMBER	DESCRIPTION
1	4	0300113	GREASE FITTING, 1/4"-28
2	5	0301895	GREASE FITTING, STR 1/8" NPT
3	3	0400134	SCREW, 3/8"-16 X 1" FL HD SKT
4	1	0400176	SCREW, 1/2"-13 X 1" HEX HD CAP
5	1	0400177	SCREW, 1/2"-13 X 1-1/4" HEX HD CAP
6	1	0400248	SCREW, 5/8"-11 X 1" HEX HD CAP
7	3	0400491	LOCKWASHER, 1/2" HELICAL
8	3	0400492	WASHER, 1/2" FLAT
9	2	0400505	WASHER, 5/8" SAE FLAT
10	10	0400508	LOCKWASHER, 5/8" HELICAL
11	8	0400594	SCREW, 1/4"-20 X 5/8" SKT FL HD
12	1	9040602	SCREW, 5/8"-11 X 1-1/4" HEX HD CAP
13	1	9041403	SCREW, 1/2"-13 X 1-1/2" HEX HD CAP
14	8	9044471	SCREW, 5/8"-18 X 1-1/4" HEX HD CAP
15	2	9046315	ROLL PIN, 3/16" DIA X 1-3/4" LG
16	2	924190004	BRONZE BUSHING
17	1	924902000	LOWER TILT CYLINDER PIN WELDMENT
18	4	930150001	STOP PAD (FOLDING BOOM)
19	1	930150002	SPACER (1ST STAGE STINGER)
20	4	930150003	TOP PAD
21	4	930150004	BOTTOM PAD
22	1	930150011	PIN (CYLINDER STIFFENER PLATE)
23	1	930151000	REAR MOUNTING PIN WELDMENT
24	1	930152000	FRONT MOUNTING PIN WELDMENT
25	1	930160500	FOLDING BOOM WELDMENT
26	1	930170500	1ST STAGE STINGER WELDMENT
27	1	930180500	2ND STAGE STINGER WELDMENT
28	1	930770500	STINGER EXTENSION CYLINDER
29	1	930901500	SHAFT WELDMENT, FOLDING BOOM PIVOT
30	1	945300000	PIVOT FOOT WELDMENT
31	1	945350500	UPPER TILT CYLINDER PIN WELDMENT
32	1	945351000	SHAFT WELDMENT, FOLDING BOOM PIVOT
33	1	946750000	TILT CYLINDER

# Section VI - PARTS (cont'd)

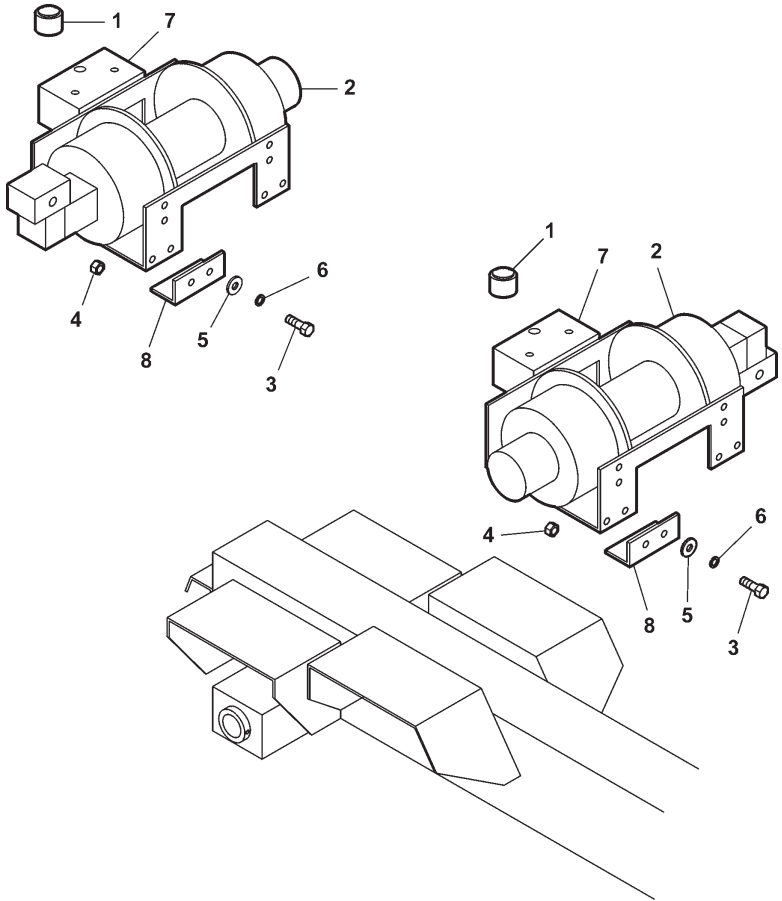
## CROSSBAR ASSEMBLY



REF. NO.	NO. REQ'D	PART NUMBER	DESCRIPTION
1	3	0301895	GREASE FITTING, STR 1/8" NPT
2	6	0400344	SCREW, 1/2"-13 X 3/4" FL HD SKT
3	1	9044170	SCREW, 1"-8 X 1-1/2" SKT SET
4	1	9046625	HITCH PIN, 7/8" X 6-1/2"
5	1	920220008	LOCKING TAB
6	2	945510006	BEARING
7	2	945510007	THRUST WASHER
8	1	946350005	CROSSBAR PIVOT PIN
9	1	946570500	5" CROSSBAR WELDMENT
10	1	946571000	TOP COVER PLATE WELDMENT
11	1	946571100	BOTTOM COVER PLATE WELDMENT

# Section VI - PARTS (cont'd)

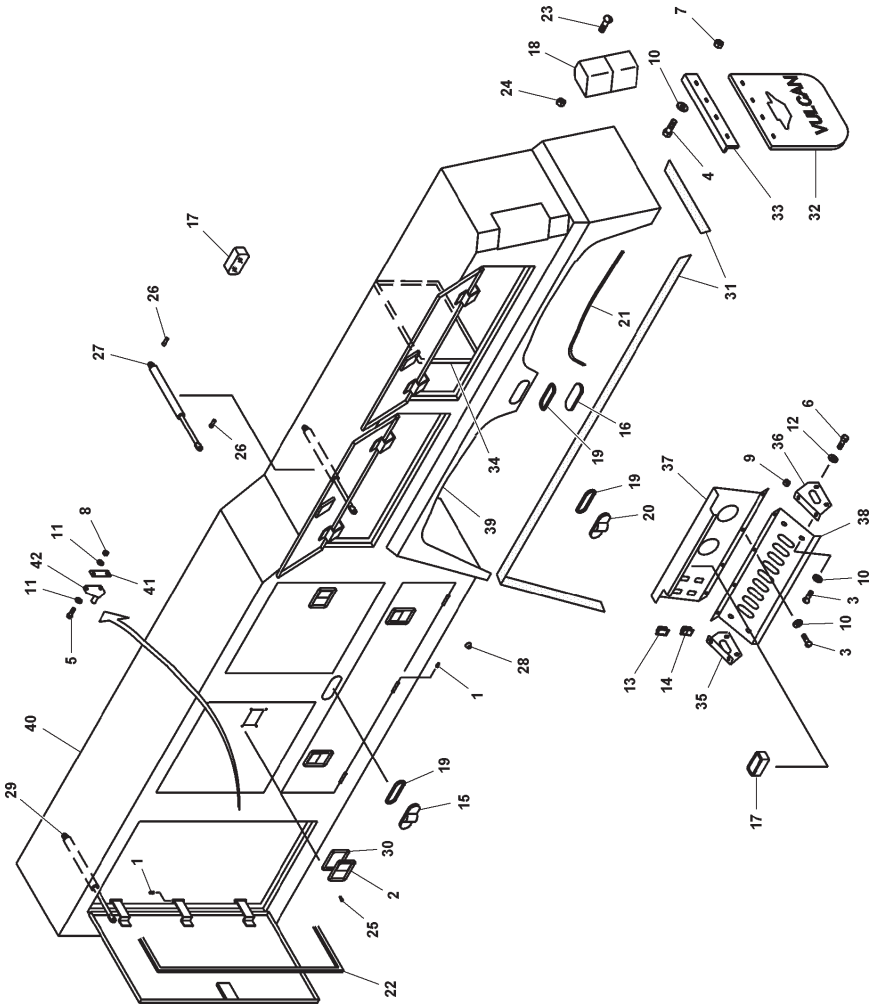
## WINCH ASSEMBLY



REF. NO.	NO. REQ'D	PART NUMBER	DESCRIPTION
1	4	0304566	AIR BAG, CABLE TENSIONER
2	2	0303504	WINCH, 50K SINGLE SPEED (V-90)
	2	0303505	WINCH, 50K 2 SPEED (V-100)
3	16	0400262	SCREW, 5/8"-11 X 2-1/2" HEX HD CAP
4	16	0400421	NUT, 5/8"-11 NYLOK HEX
5	16	0400505	WASHER, 5/8" FLAT
6	16	0400508	LOCKWASHER, 5/8" HELICAL
7	2	174006210	CABLE TENSIONER
8	8	946041001	WINCH MOUNTING ANGLE

# Section VI - PARTS (cont'd)

## LEFT HAND TOOLBOX ASSEMBLY



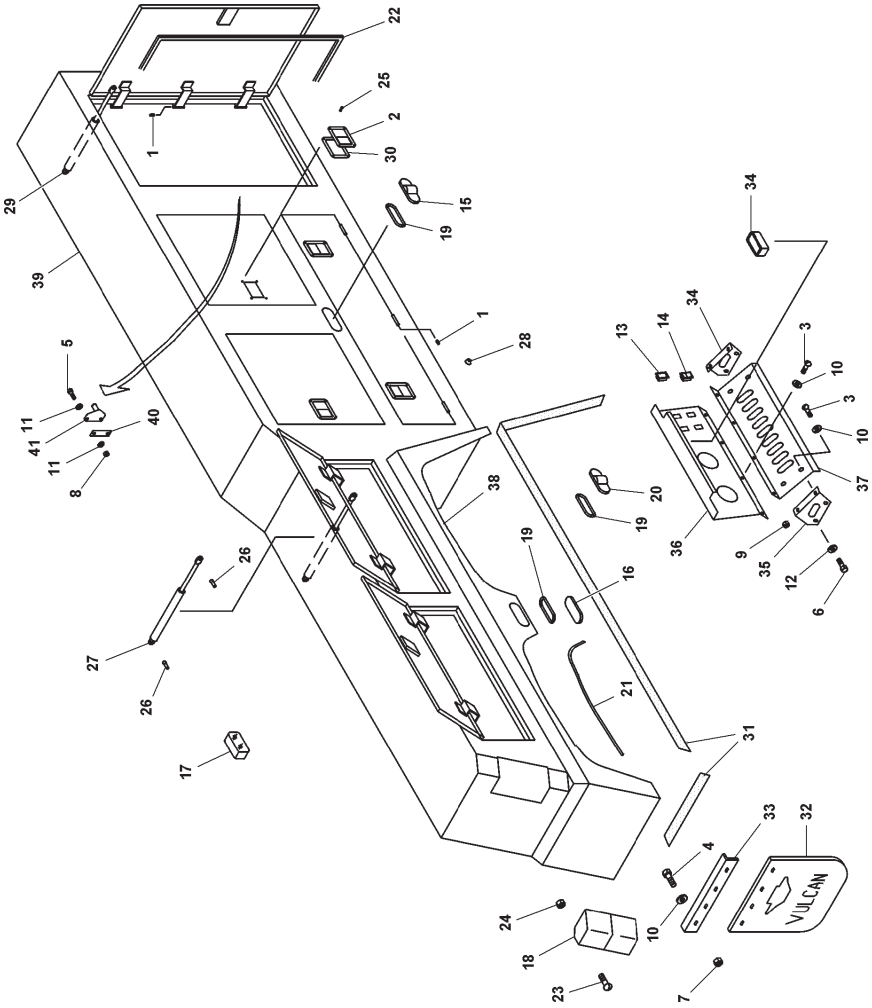
## Section VI - PARTS (cont'd)

### LEFT HAND TOOLBOX ASSEMBLY

REF. NO.	NO. REQ'D	PART NUMBER	DESCRIPTION
1	14	0300113	GREASE FITTING, 1/4"-28
2	7	0303120	LATCH PADDLE
3	8	0400066	SCREW, 1/4"-20 X 3/4" HEX HD CAP
4	4	0400070	SCREW, 1/4"-20 X 1" HEX HD CAP
5	14	0400109	SCREW, 5/16"-18 X 1" HEX HD CAP
6	4	0400126	SCREW, 3/8"-16 X 1" HEX HD CAP
7	4	0400367	NUT, 1/4"-20 NYLOK HEX
8	14	0400382	NUT, 5/16"-18 NYLOK HEX
9	4	0400392	NUT, 3/8"-16 NYLOK HEX
10	8	0400451	WASHER, 1/4" FLAT
11	28	0400463	WASHER, 5/16" FLAT
12	4	0400480	WASHER, 3/8" FLAT
13	1	9024011	INDICATOR LIGHT, AMBER
14	3	9024041	SWITCH, SEALED
15	1	9025060	CLEARANCE LIGHT, AMBER
16	1	9025070	BACK UP LIGHT
17	9	9025073	LIGHT, TOOLBOX (DOME)
18	2	9025087	TAIL LIGHT ASSEMBLY, RED
19	3	9025107	GROMMET, LIGHT
20	1	9025120	MARKER LIGHT, TURN SIGNAL
21	9 FT.	9032114	RUBBER TRIM
22	50 FT.	9032157	RUBBER SEAL, 7/16" X 1/8"
23	8	9042312	SCREW, #10-32 X 1-1/4" RD HD MACH
24	8	9043394	NUT, #10-32 NYLOK HEX
25	28	9043980	SCREW, #8-32 X 3/4" ONE WAY
26	10	9048175	GAS STRUT, 5/16" BALL STUD
27	2	9048589	GAS STRUT, 1/8" EXT.
28	2	9048686	BUMPER, SCREW 1" X 1/2" X #10-24 THD
29	3	9048759	GAS STRUT
30	7	9049016	RUBBER GASKET (FOR PADDLE LATCH)
31	11 FT.	9061802	RUBBER STRIP, 3/32" X 1-1/4"
32	1	94320052	MUDFLAP
33	1	920400005	MUDFLAP BRACE PLATE
34	1	920400515	INSIDE PANEL, REAR TOOL BOX
35	1	930400300	MOUNTING ANGLE, LH DCV COVER
36	1	930400400	MOUNTING ANGLE, RH DCV COVER
37	1	930400016	UPPER PANEL, DCV
38	1	930400200	LOWER PANEL WELDMENT, DCV
39	1	945070500	LH FENDER WELL WELDMENT, 52"
40	1	945390500	TOOLBOX WELDMENT, LH 160
41	7	945400518	WASHER PLATE, STRIKER PIN WELDMENT
42	7	945400800	STRIKER PIN WELDMENT

# Section VI - PARTS (cont'd)

## RIGHT HAND TOOLBOX ASSEMBLY





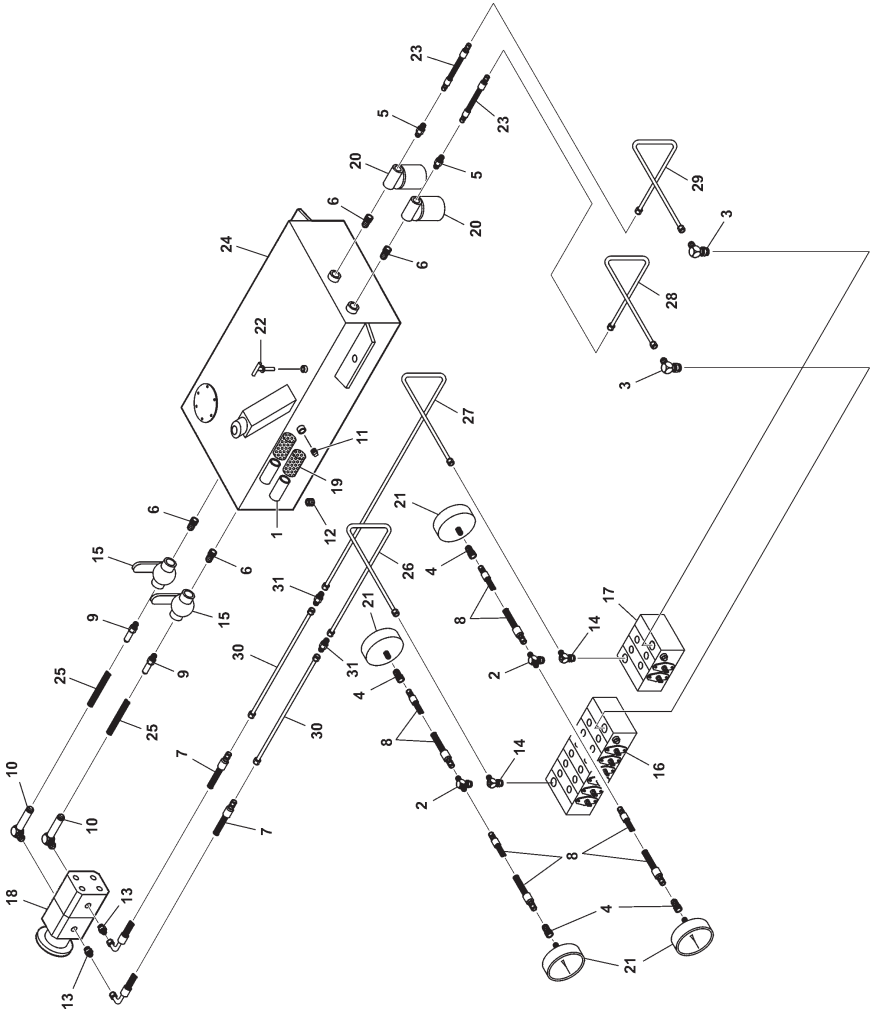
## Section VI - PARTS (cont'd)

### RIGHT HAND TOOLBOX ASSEMBLY

REF. NO.	NO. REQ'D	PART NUMBER	DESCRIPTION
1	14	0300113	GREASE FITTING, 1/4"-28
2	7	0303120	LATCH PADDLE
3	8	0400066	SCREW, 1/4"-20 X 3/4" HEX HD CAP
4	4	0400070	SCREW, 1/4"-20 X 1" HEX HD CAP
5	14	0400109	SCREW, 5/16"-18 X 1" HEX HD CAP
6	4	0400126	SCREW, 3/8"-16 X 1" HEX HD CAP
7	4	0400367	NUT, 1/4"-20 NYLOK HEX
8	14	0400382	NUT, 5/16"-18 NYLOK HEX
9	4	0400392	NUT, 3/8"-16 NYLOK HEX
10	8	0400451	WASHER, 1/4" FLAT
11	28	0400463	WASHER, 5/16" FLAT
12	4	0400480	WASHER, 3/8" FLAT
13	1	9024011	INDICATOR LIGHT, AMBER
14	3	9024041	SWITCH, SEALED
15	1	9025060	CLEARANCE LIGHT, AMBER
16	1	9025070	BACK UP LIGHT
17	9	9025073	LIGHT, TOOLBOX (DOME)
18	2	9025087	TAIL LIGHT ASSEMBLY, RED
19	3	9025107	GROMMET, LIGHT
20	1	9025120	MARKER LIGHT, TURN SIGNAL
21	9 FT.	9032114	RUBBER TRIM
22	50 FT.	9032157	RUBBER SEAL, 7/16" X 1/8"
23	8	9042312	SCREW, #10-32 X 1-1/4" RD HD MACH
24	8	9043394	NUT, #10-32 NYLOK HEX
25	28	9043980	SCREW, #8-32 X 3/4" ONE WAY
26	10	9048175	GAS STRUT, 5/16" BALL STUD
27	2	9048589	GAS STRUT, 1/8" EXT.
28	2	9048686	BUMPER, SCREW 1" X 1/2" X #10-24 THD
29	3	9048759	GAS STRUT
30	7	9049016	RUBBER GASKET (FOR PADDLE LATCH)
31	11 FT.	9061802	RUBBER STRIP, 3/32" X 1-1/4"
32	1	94320052	MUDFLAP
33	1	920400005	MUDFLAP BRACE PLATE
34	1	930400300	MOUNTING ANGLE, LH DCV COVER
35	1	930400400	MOUNTING ANGLE, RH DCV COVER
36	1	930400016	UPPER PANEL, DCV
37	1	930400200	LOWER PANEL WELDMENT, DCV
38	1	945077500	RH FENDER WELL WELDMENT, 52"
39	1	945397500	TOOLBOX WELDMENT, RH 160
40	7	945400518	WASHER PLATE, STRIKER PIN WELDMENT
41	7	945400800	STRIKER PIN WELDMENT

# Section VI - PARTS (cont'd)

## SUBFRAME HYDRAULICS



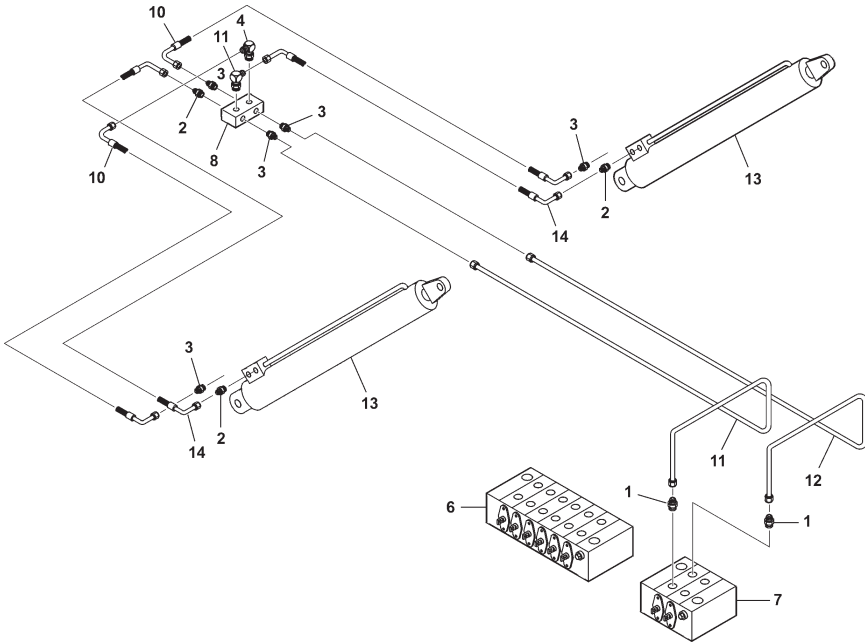
## Section VI - PARTS (cont'd)

### SUBFRAME HYDRAULICS

REF. NO.	NO. REQ'D	PART NUMBER	DESCRIPTION
1	2	0301611	STRAINER PIPE, 1-1/4"
2	2	0301619	BRANCH TEE, 6MJ-6MJ-6MB
3	2	0302083	ELBOW, 16MJ-12MB90
4	4	0302577	CONNECTOR, 6MJ-4FP
5	2	0302696	CONNECTOR, 16MJ-20MP
6	4	0302699	PIPE NIPPLE, 1-1/4" X 2"
7	2	0302901	HOSE ASSEMBLY, 120"
8	4	0303394	HOSE ASSEMBLY, 46"
9	2	0306538	HOSE BARB, 20HOSE-20MP
10	2	0306539	HOSE BARB, 20HOSE-16MB90
11	1	9011014	PIPE PLUG, 1/4"
12	1	9012913	PIPE PLUG, 3/4" (MAGNETIC)
13	2	9012968	CONNECTOR, 12MJ-16MB
14	2	0306984	ELBOW, 12MJ-12MB90
15	2	9015571	BALL VALVE, 1-1/4"
16	1	9016021	DIR. CONTROL VALVE, 6-SPOOL
17	1	9016022	DIR. CONTROL VALVE, 2-SPOOL
18	1	9016815	HYDRAULIC PUMP
19	2	9018139	SUCTION STRAINER
20	2	9018140	OIL FILTER
21	4	9019043	GUAGE, FLUSH MOUNT, 6000 PSI
22	1	9401418	DIP STICK WELDMENT
23	2	915770017	HOSE ASSEMBLY
24	1	915780500	HYDRAULIC TANK WELDMENT
25	2	920981901	SUCTION HOSE ASSEMBLY
26	1	946760001	HYDRAULIC TUBE, PRESSURE FRONT
27	1	946760002	HYDRAULIC TUBE, PRESSURE REAR
28	1	946760012	HYDRAULIC TUBE, RETURN LINE FRONT
29	1	946760021	HYDRAULIC TUBE, RETURN LINE REAR
30	2	946760016	HYDRAULIC TUBE
31	2	0300649	UNION, 12MJ-12MJ

# Section VI - PARTS (cont'd)

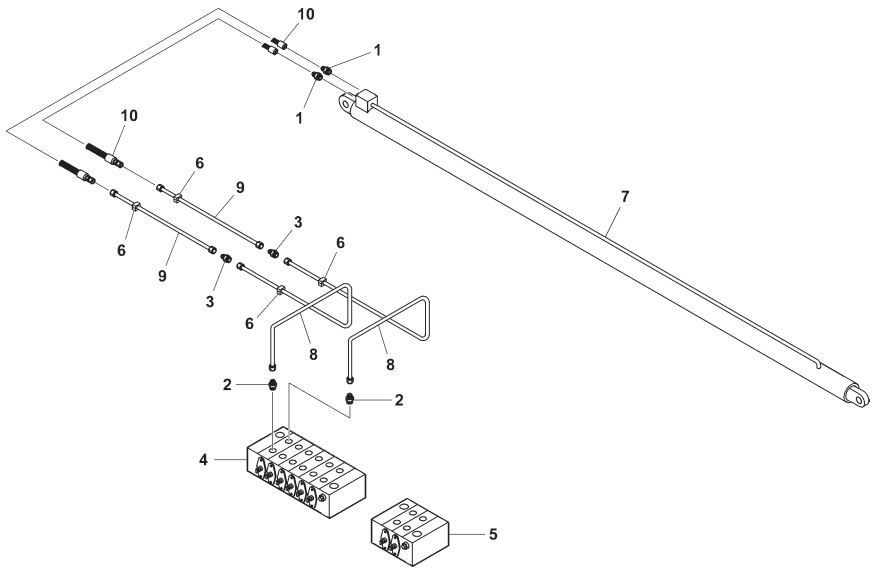
## BOOM LIFT HYDRAULICS



REF. NO.	NO. REQ'D	PART NUMBER	DESCRIPTION
1	2	0301376	CONNECTOR, 8MJ-10MB
2	3	0301522	CONNECTOR, 6MJ-6MB
3	5	0302275	CONNECTOR, 8MJ-6MB
4	1	0302276	ELBOW, 8MJ-6MB90
5	2	0400452	LOCKWASHER, 1/4" HELICAL
6	1	9016021	DIR. CONTROL VALVE, 6-SPOOL
7	1	9016022	DIR. CONTROL VALVE, 2-SPOOL
8	1	0306700	TRANSITION BLOCK
9	2	0400236	SCREW, 1/4"-20 X 1-3/4" HEX HD CAP
10	2	915770002	HOSE ASSEMBLY
11	1	0301620	ELBOW, 6MJ-6MB90
12	2	946760015	HYDRAULIC TUBE, BOOM LIFT
13	2	930700000	LIFT CYLINDER (V-90)
	2	945700000	LIFT CYLINDER (V-100)
14	2	946770001	HOSE ASSEMBLY

# Section VI - PARTS (cont'd)

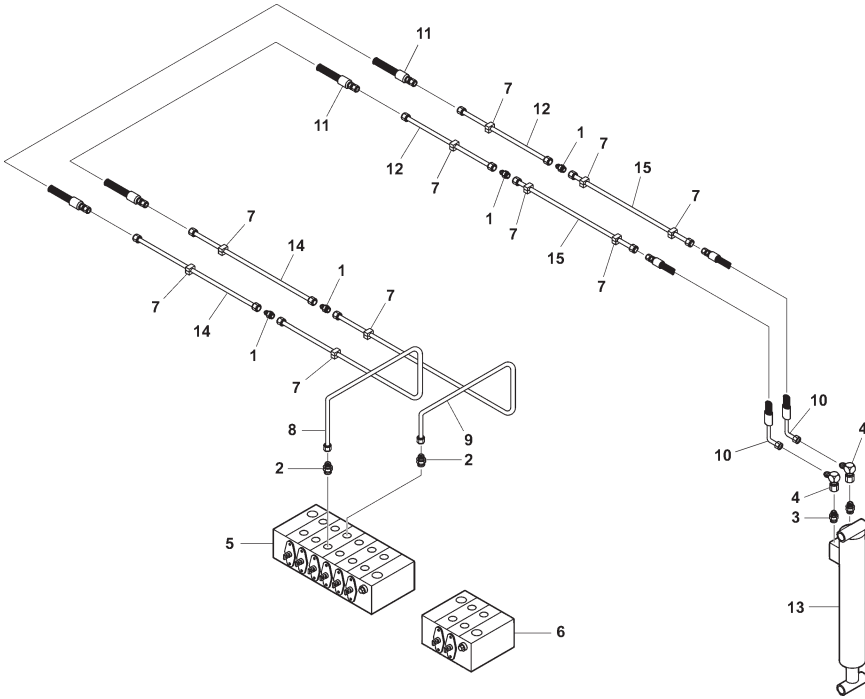
## BOOM EXTEND HYDRAULICS



REF. NO.	NO. REQ'D	PART NUMBER	DESCRIPTION
1	2	0302275	CONNECTOR, 8MJ-6MB
2	2	0302827	CONNECTOR, 10MJ-10MB
3	2	0307003	UNION, 10MJ-10MJ
4	1	9016021	DIR. CONTROL VALVE, 6-SPOOL
5	1	9016022	DIR. CONTROL VALVE, 2-SPOOL
6	4	9018254	TUBE CLAMP, 5/8"
7	1	930720000	BOOM EXTENSION CYLINDER
8	2	946760003	HYDRAULIC TUBE, BOOM EXT
9	2	946760017	HYDRAULIC TUBE
10	2	946770005	HOSE ASSEMBLY

# Section VI - PARTS (cont'd)

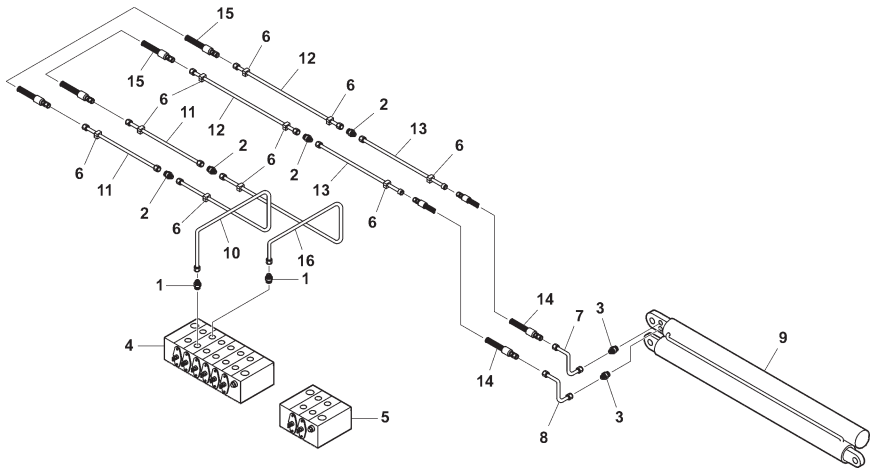
## UNDERLIFT TILT HYDRAULICS



REF. NO.	NO. REQ'D	PART NUMBER	DESCRIPTION
1	4	0300865	UNION, 8MJ-8MJ
2	2	0301376	CONNECTOR, 8MJ-10MB
3	2	0301522	CONNECTOR, 6MJ-6MB
4	2	0301696	ELBOW, 6MJ-6FJX90
5	1	9016021	DIR. CONTROL VALVE, 6-SPOOL
6	1	9016022	DIR. CONTROL VALVE, 2-SPOOL
7	10	9018255	TUBE CLAMP, 1/2"
8	1	946760006	HYDRAULIC TUBE, TILT PORT A
9	1	946760007	HYDRAULIC TUBE, TILT PORT B
10	2	945770002	HOSE ASSEMBLY
11	2	946770003	HOSE ASSEMBLY
12	2	946760019	HYDRAULIC TUBE, UNDER BOOM SUPPLY
13	1	946750000	UNDERLIFT TILT CYLINDER
14	2	946760018	HYDRAULIC TUBE
15	2	946760020	HYDRAULIC TUBE

# Section VI - PARTS (cont'd)

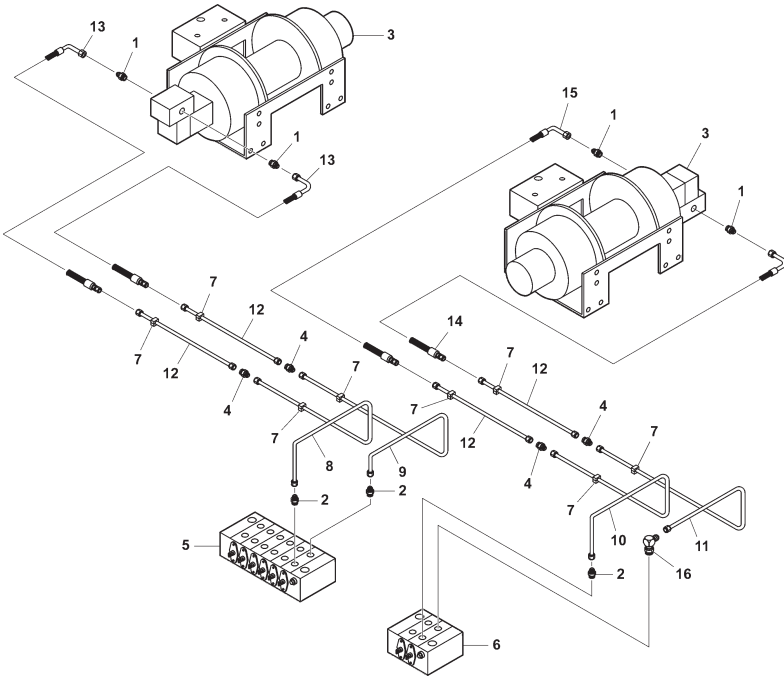
## UNDERLIFT EXTEND HYDRAULICS



REF. NO.	NO. REQ'D	PART NUMBER	DESCRIPTION
1	2	0301376	CONNECTOR, 8MJ-10MB
2	4	0300865	UNION, 8MJ-8MJ
3	2	9012510	CONNECTOR, 9/16" SAE X 3/8" TUBE
4	1	9016021	DIR. CONTROL VALVE, 6-SPOOL
5	1	9016022	DIR. CONTROL VALVE, 2-SPOOL
6	10	9018255	TUBE CLAMP, 1/2"
7	1	915760022	HYDRAULIC TUBE (UPPER)
8	1	915760023	HYDRAULIC TUBE (LOWER)
9	1	930770500	UNDERLIFT EXTENSION CYLINDER
10	1	946760004	HYDRAULIC TUBE
11	2	946760018	HYDRAULIC TUBE
12	2	946760019	HYDRAULIC TUBE, UNDER BOOM SUPPLY
13	2	946760020	HYDRAULIC TUBE
14	2	946770002	HOSE ASSEMBLY
15	2	946770003	HOSE ASSEMBLY
16	1	946770005	HYDRAULIC TUBE

# Section VI - PARTS (cont'd)

## WINCH HYDRAULICS

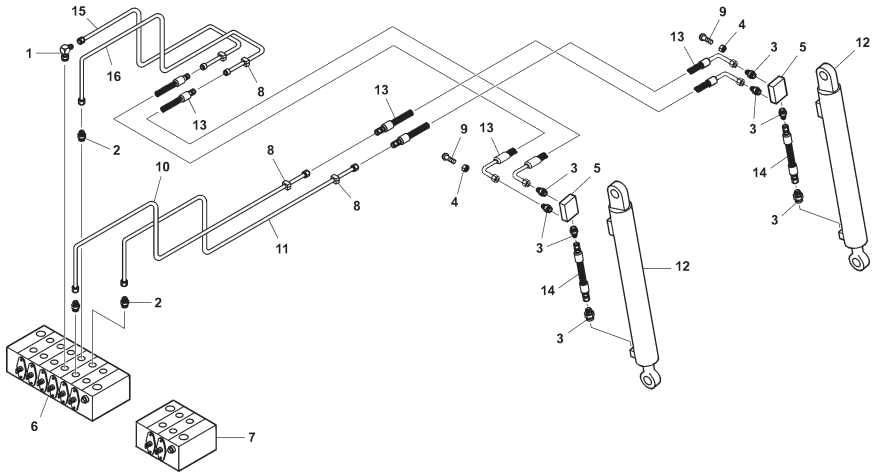


REF. NO.	NO. REQ'D	PART NUMBER	DESCRIPTION
1	4	0300041	CONNECTOR, 8MJ-8MB
2	3	0302827	ADAPTER, 10MJ-10MB
3	2	0303504	WINCH, 50K SINGLE SPEED (V-90)
	2	0303505	WINCH, 50K 2 SPEED (V-100)
4	4	0307003	UNION, 10MJ-10MJ
5	1	9016021	DIR. CONTROL VALVE, 6-SPOOL
6	1	9016022	DIR. CONTROL VALVE, 2-SPOOL
7	8	9018254	TUBE CLAMP, 5/8"
8	1	946760010	HYDRAULIC TUBE, FRONT WINCH PORT A
9	1	946760011	HYDRAULIC TUBE, FRONT WINCH PORT B
10	1	946760013	HYDRAULIC TUBE, REAR WINCH PORT A
11	1	946760014	HYDRAULIC TUBE, REAR WINCH PORT B
12	4	946760017	HYDRAULIC TUBE
13	2	946770007	HOSE ASSEMBLY
14	1	946770008	HOSE ASSEMBLY
15	1	946770009	HOSE ASSEMBLY
16	1	GX263	ELBOW, 10MJ-10MB90



# Section VI - PARTS (cont'd)

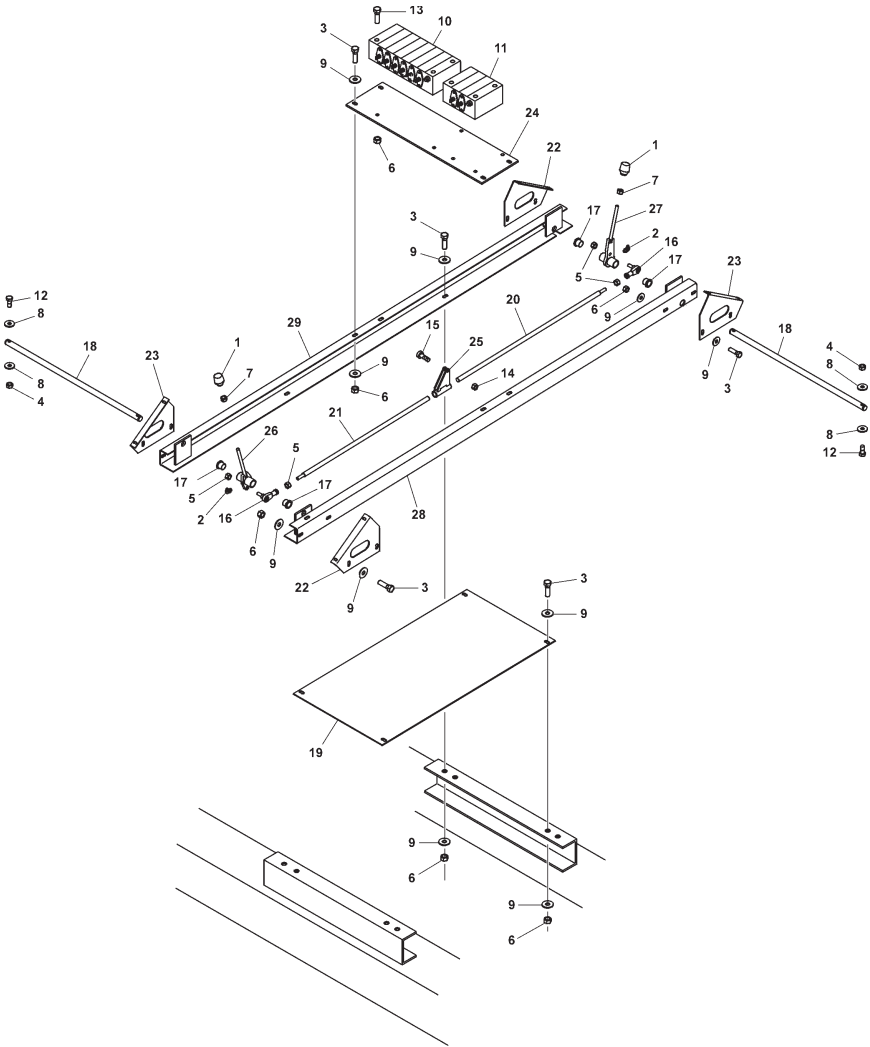
## STIFF LEG HYDRAULICS



REF. NO.	NO. REQ'D	PART NUMBER	DESCRIPTION
1	1	0300052	ELBOW, 8MJ-10MB90
2	3	0301376	CONNECTOR, 8MJ-10MB
3	8	0301522	CONNECTOR, 6MJ-6MB
4	8	0400452	LOCKWASHER, 1/4" HELICAL
5	2	9015738	HOLDING VALVE
6	1	9016021	DIR. CONTROL VALVE, 6-SPOOL
7	1	9016022	DIR. CONTROL VALVE, 2-SPOOL
8	4	9018255	TUBE CLAMP, 1/2"
9	8	9041011	SCREW, 1/4"-20 X 2-1/2" HEX HD CAP
10	1	930760010	HYDRAULIC TUBE, RH STIFF LEG PORT A
11	1	930760011	HYDRAULIC TUBE, RH STIFF LEG PORT B
12	2	945720000	STIFF LEG CYLINDER
13	4	945770003	HOSE ASSEMBLY
14	2	945770016	HOSE ASSEMBLY
15	1	946760008	HYDRAULIC TUBE, LH STIFF LEG PORT A
16	1	946760009	HYDRAULIC TUBE, LH STIFF LEG PORT B

# Section VI - PARTS (cont'd)

## DUAL CONTROL ASSEMBLY



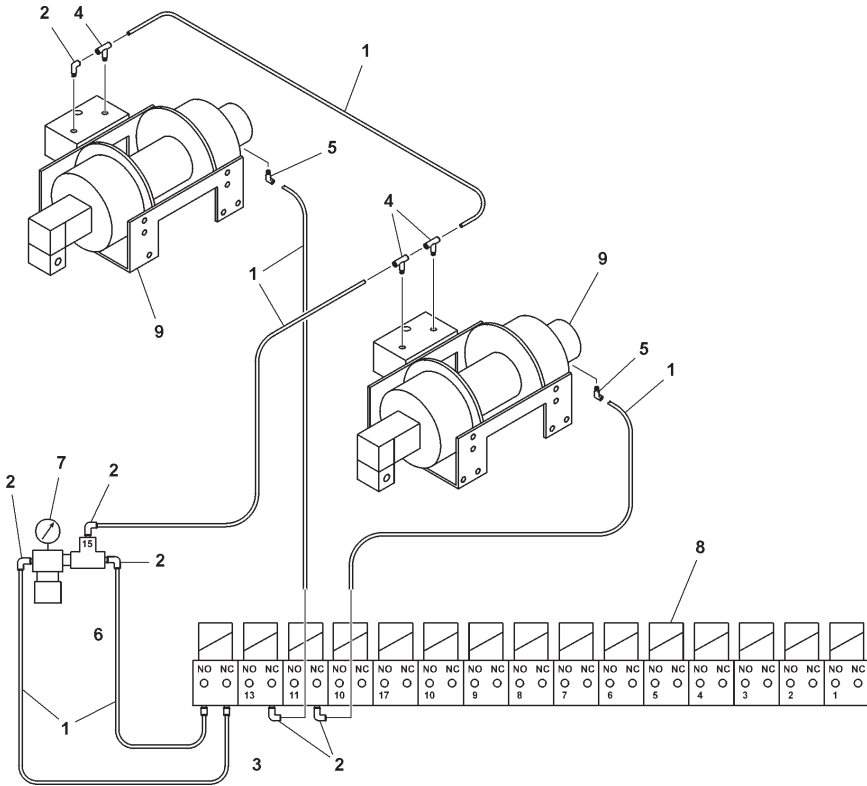
## Section VI - PARTS (cont'd)

### DUAL CONTROL ASSEMBLY

REF. NO.	NO. REQ'D	PART NUMBER	DESCRIPTION
1	12	0300341	CONTROL KNOB, BLACK
	4	0300834	CONTROL KNOB, RED
2	16	0301397	GREASE FITTING, 90°
3	20	0400126	SCREW, 3/8"-16 X 1" HEX HD CAP
4	4	0400382	NUT, 5/16"-18 NYLOK HEX
5	32	0400387	NUT, 3/8"-24 HEX JAM
6	26	0400392	NUT, 3/8"-16 NYLOK HEX
7	16	0400393	NUT, 3/8"-16 HEX JAM
8	8	0400463	WASHER, 5/16" FLAT
9	40	0400480	WASHER, 3/8" FLAT
10	1	9016021	DIR. CONTROL VALVE, 6-SPOOL
11	1	9016022	DIR. CONTROL VALVE, 2-SPOOL
12	4	9041108	SCREW, 5/16"-18 X 1-3/4" HEX HD CAP
13	6	9041212	SCREW, 3/8"-16 X 2-3/4" HEX HD CAP
14	8	9043371	LOCKNUT, 6 MM
15	8	9043713	SKT SHOULDER BOLT, M8 x 20
16	16	9048513	SPERICAL ROD END
17	32	9053524	BRONZE BEARING, .752 X .879 X 3/4 FL
18	2	930400001	PIN, CONTROL HANDLE PIVOT
19	1	930400009	BOTTOM PLATE, DCV DUAL CONTROLS
20	8	930400012	RH CONTROL ROD (LONG), DCA
21	8	930400013	LH CONTROL ROD (SHORT), DCA
22	2	930400300	LH MTG ANGLE WELDMENT, DC
23	2	930400400	RH MTG ANGLE WELDMENT, DC
24	1	930400501	CONTROL VALVE MTG PLATE - DCV FRAME
25	6	930402600	SHORT LUG WELDMENT, DCA
	2	930402700	LONG LUG WELDMENT, DCA
26	8	930403000	LH CONTROL HANDLE WELDMENT, DCA
27	8	930403500	RH CONTROL HANDLE WELDMENT, DCA
28	1	946400600	CHANNEL WELDMENT REAR, DCV FRAME
29	1	946400700	CHANNEL WELDMENT FRONT, DCV FRAME

# Section VI - PARTS (cont'd)

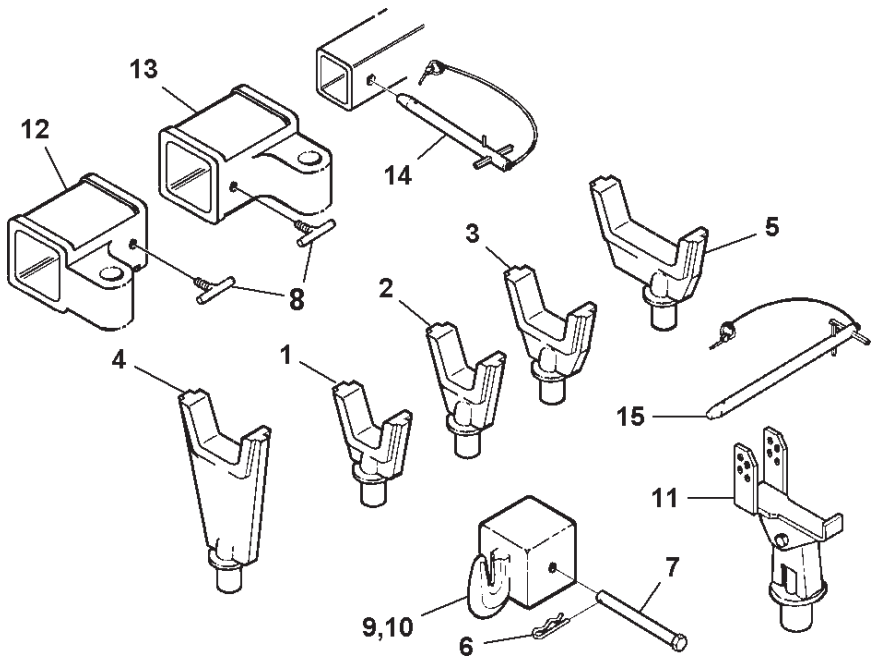
## WINCH AIR FREE SPOOL & CABLE TENSIONERS



REF. NO.	NO. REQ'D	PART NUMBER	DESCRIPTION
1	105 FT.	0301577	PLASTIC TUBING, 1/4" O.D.
2	6	9012537	ELBOW, 4TB-2MP90
3	2	9012538	CONNECTOR
4	3	9012575	BRANCH TEE, 4TB-4TB-2MP
5	2	9012623	ELBOW, 4TB-2MP90
6	1	9015925	SHUTTLE VALVE
7	1	9019006	PRESSURE GAUGE
8	1	9024071	MANIFOLD ASSEMBLY, 15 STATION
9	2	9048242	WINCH, 30K
	2	9048243	WINCH, 35K

## Section VI - PARTS (cont'd)

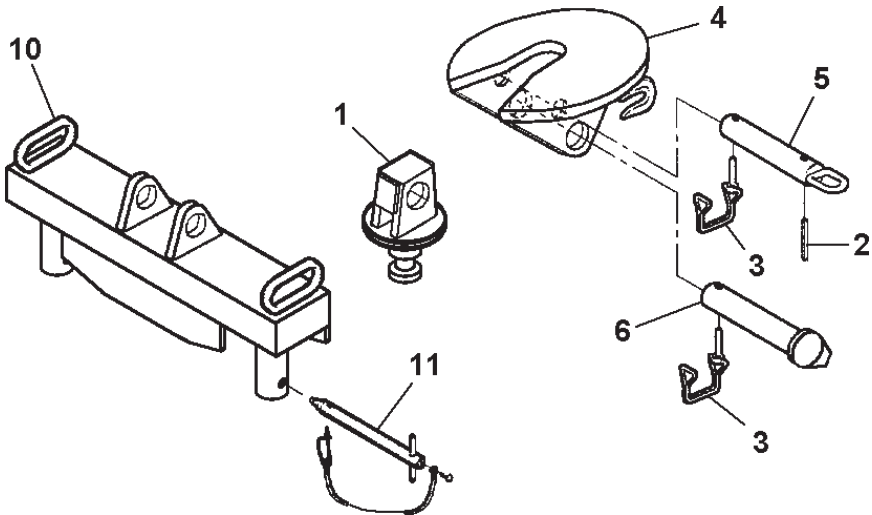
### LIFT ADAPTERS



REF. NO.	NO. REQ'D	PART NUMBER	DESCRIPTION
1	2	0200018	FORK, SHORT (3" OPENING)
2	2	0200020	FORK, MEDIUM (3" OPENING)
3	2	0200021	FORK, MEDIUM (4-1/2" OPENING)
4	2	0200023	FORK, LONG (4-1/2" OPENING)
5	2	0200024	FORK, OFFSET REAR AXLE
6	2	0400585	HAIR PIN COTTER, 1-1/4"
7	2	0711002	BOLT, MODIFIED 5/8"-11 X 6" WITH HOLE
8	2	0800590	TEE HANDLE, FORK ADAPTER
9	1	0801186	CHAIN HOOK ADAPTER, RT
10	1	0801187	CHAIN HOOK ADAPTER, LT
11	2	0802810	PIVOT PIN LIFT BRACKET
12	1	0803591	FORK ADAPTER, LT
13	1	0803592	FORK ADAPTER, RT
14	2	0900900	RETAINER PIN ASSEMBLY
15	2	0902321	RETAINING PIN, SPRING LIFT BRACKET

# Section VI - PARTS (cont'd)

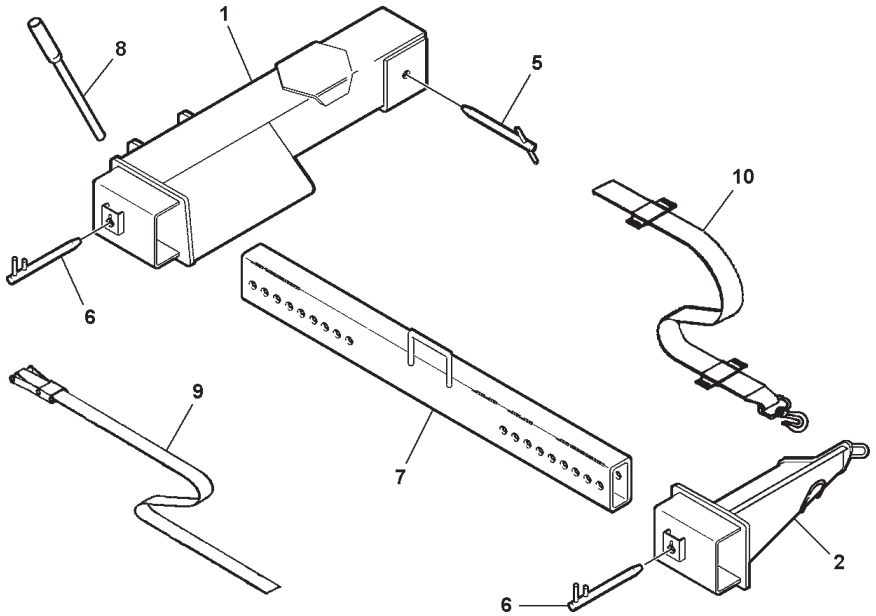
## KING PIN ADAPTER



REF. NO.	NO. REQ'D	PART NUMBER	DESCRIPTION
1	1	0803605	KING PIN ADAPTER WELDMENT
	--	0902782	FIFTH WHEEL ADAPTER (COMPLETE)
2	1	0400555	ROLL PIN, 3/8" X 1-1/2"
3	2	HD1259	SNAPPER PIN
4	1	VA0660	FIFTH WHEEL PIVOT PLATE WELDMENT
5	1	VA0661	PULL PIN WELDMENT
6	1	VA0662	PIVOT PIN WELDMENT
	--	124002211	PINTLE HOOK KIT (COMPLETE)
7	1	0302198	PINTLE HOOK (NOT SHOWN)
8	4	0400176	SCREW, 1/2"-13 X 1" HEX HD CAP
9	4	0400491	LOCKWASHER, 1/2" HELICAL
10	1	0803604	5TH WHEEL, KING PIN ADAPTER & PINTLE HOOK BRACKET WELDMENT
11	2	0902378	RETAINING PIN ASSEMBLY

# Section VI - PARTS (cont'd)

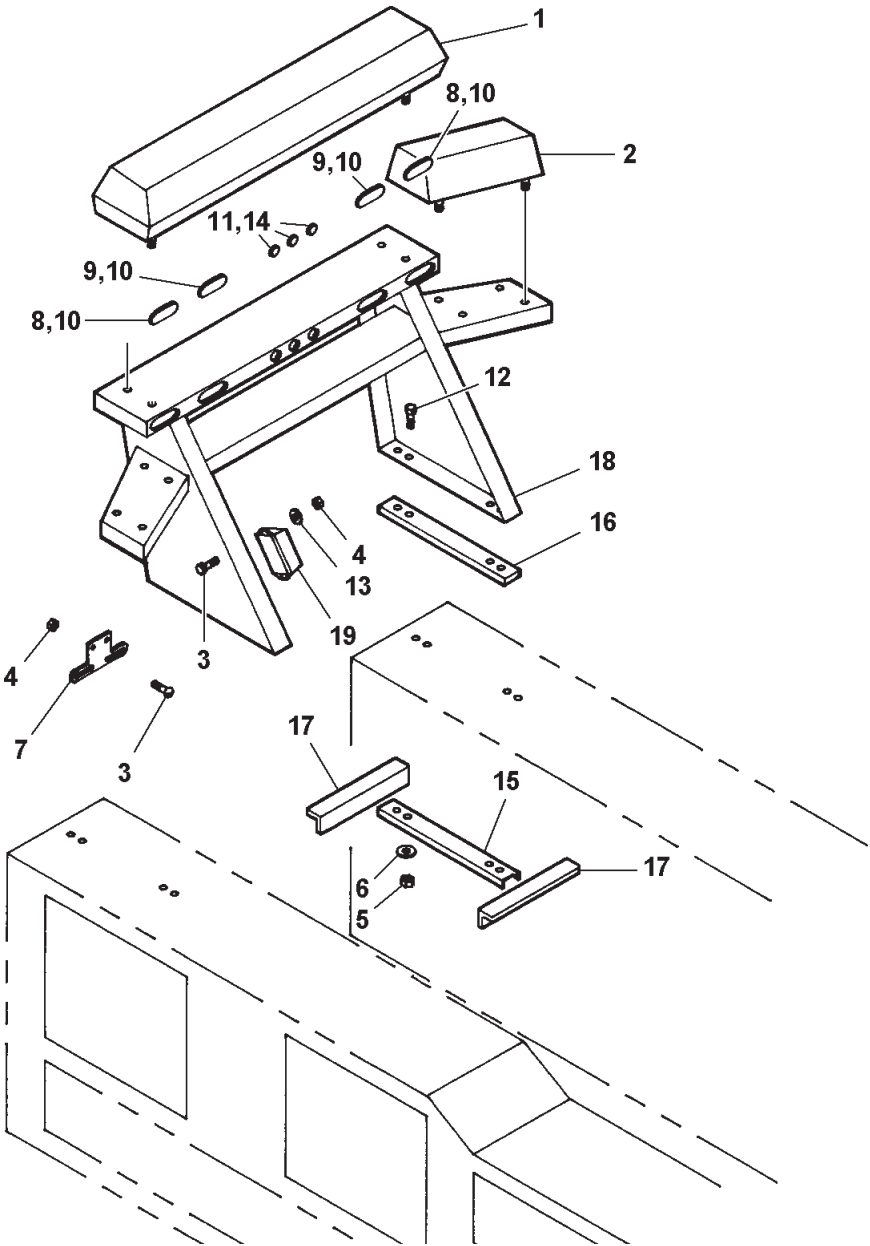
## TRUCK WHEEL LIFT



REF. NO.	NO. REQ'D	PART NUMBER	DESCRIPTION
1	1	0804493	OUTER CROSSTUBE WELDMENT, LEFT
2	1	0804494	OUTER CROSSTUBE WELDMENT, RIGHT
3	1	0804495	TIRE SUPPORT WELDMENT, LEFT
4	1	0804496	TIRE SUPPORT WELDMENT, RIGHT
5	2	0902947	CROSSTUBE RETAINER PIN
6	4	0903089	RETAINER PIN
7	2	0903480	ADJUSTMENT TUBE
8	2	945520100	RATCHET HANDLE ASSEMBLY
9	2		TIE-DOWN STRAP, 1" WIDE
10	2	945525000	TIE-DOWN STRAP, 3" WIDE

# Section VI - PARTS (cont'd)

## LIGHT PYLON ASSEMBLY





## Section VI - PARTS (cont'd)

### LIGHT PYLON ASSEMBLY

REF. NO.	NO. REQ'D	PART NUMBER	DESCRIPTION
1	1	--	LIGHT BAR, LONG (OPTIONAL)
2	2	--	LIGHT BAR, SIDE (OPTIONAL)
3	6	0400070	SCREW, 1/4"-20 X 1" HEX HD CAP
4	6	0400367	NUT, 1/4"-20 HEX
5	8	0400408	NUT, 1/2"-13 NYLOK HEX
6	8	0400492	WASHER, 1/2" FLAT
7	1	9025062	LICENSE BRACKET C/W LIGHT
8	2	9025069	STOP/TAIL LIGHT
9	2	9025070	BACKUP LIGHT
10	4	9025107	GROMMET, TAIL LIGHT
11	3	9025118	GROMMET, MARKER LIGHT
12	8	9041405	SCREW, 1/2"-13 X 2" HEX HD CAP
13	2	9045055	LOCKWASHER, 1/4" BS
14	3	174027019	MARKER LIGHT, 2" RED
15	2	915160001	REINFORCING CHANNEL
16	2	945160513	RUBBER STRIP - 4" X 24-1/2"
17	4	946170102	SUPPORT ANGLE
18	1	946170500	PYLON WELDMENT - TOP MOUNT
19	1	946170600	PYLON WIRING HARNESS







8503 Hilltop Drive • Ooltewah, Tennessee 37363 • (423) 238-7227  
[www.millerind.com](http://www.millerind.com)