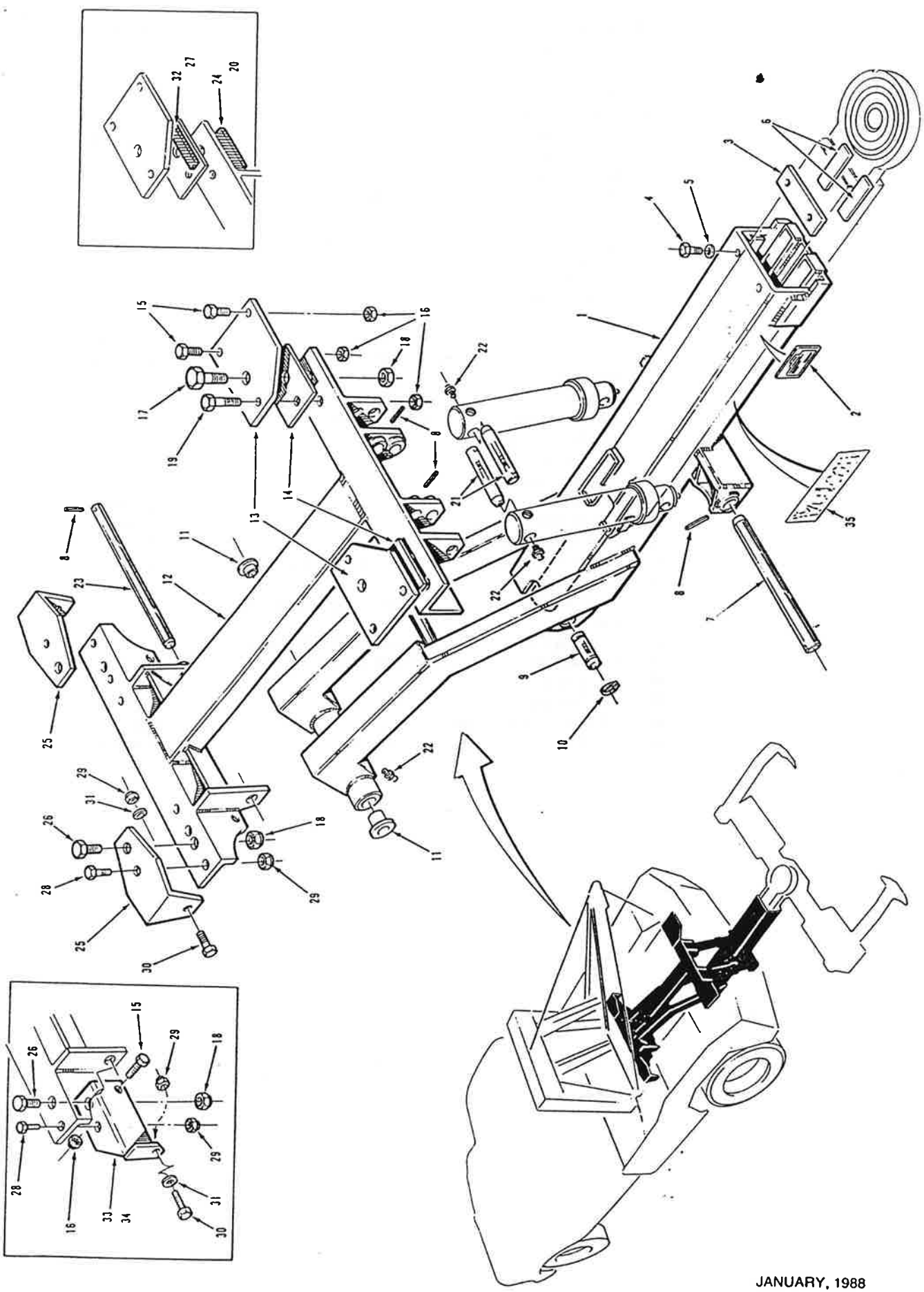


# Add-On Mechanical Assembly 831 & 833

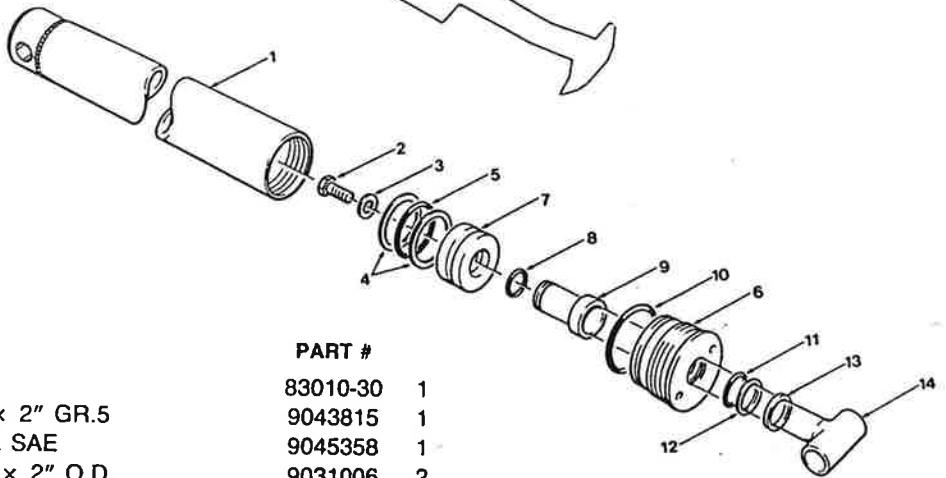
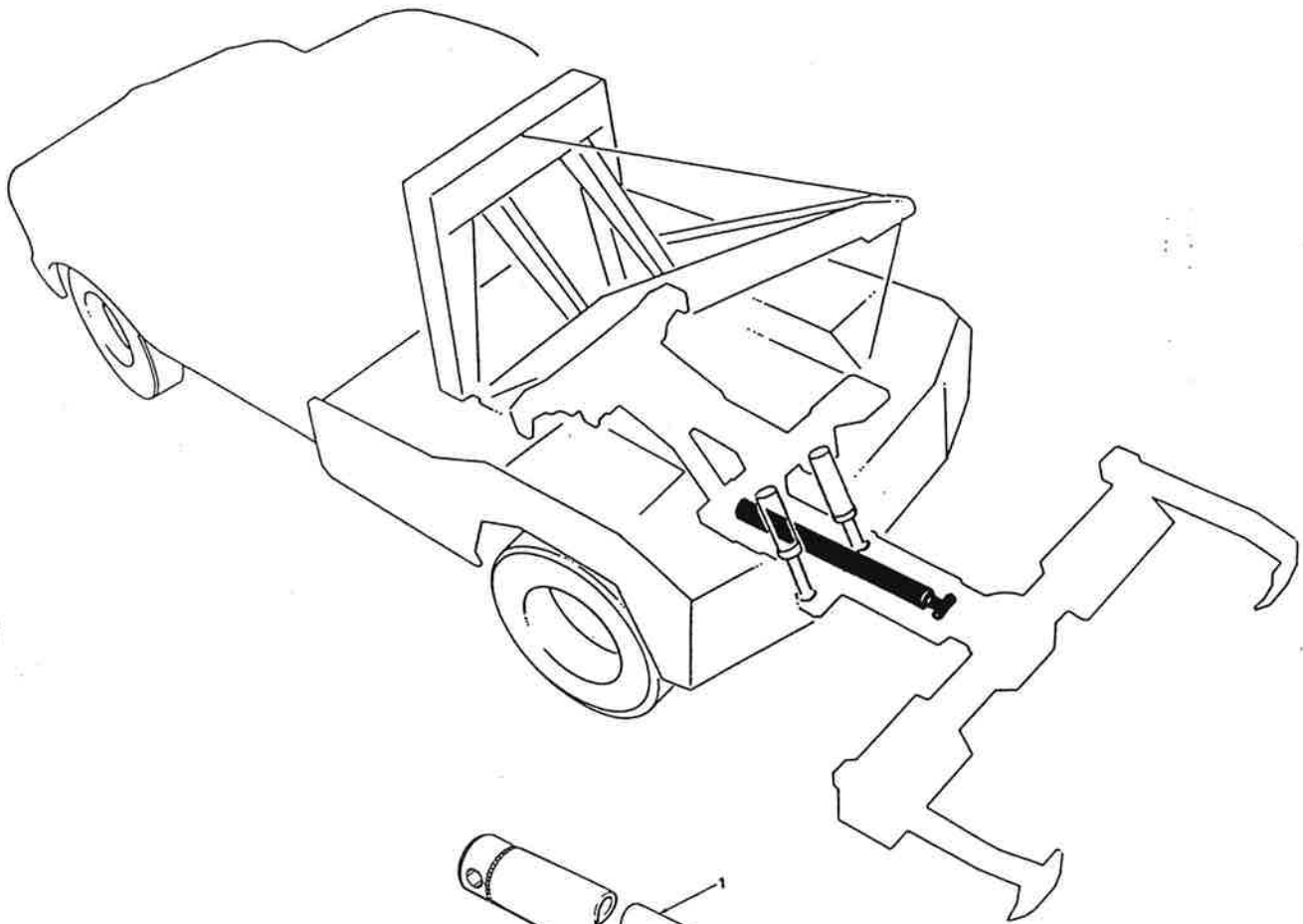


# "ADD-ON" MECHANICAL ASSEMBLY 831 & 833

ITEM	DESCRIPTION	SIZE	PART #	QTY.
1.	Boom & Arm Weld't.		83103-00	1
2.	Serial Plate			1
3.	Spacer Bar		87001-03	1
4.	Hex. Hd. Cap Screw	1/2" NC x 7/8" LG. GR.5	9043969	2
5.	Lock Washer	1/2" NOM.	9045059	2
6.	Wear Bars		9031181	2
7.	Lift Cyl. Rod Pin		83100-03	1
8.	Spirol Pin	5/16" DIA. x 1 3/4" LG.	9046528	4
9.	Ext. Cyl. Base Pin		87001-02	1
10.	Retaining Ring	7/8" DIA. Heavy Duty	9056087	2
11.	Flange Bearing	1" I.D. x 1 1/4" O.D. x 1 1/2" LG.	9053503	2
12.	Center Frame		83101-00	1
13.	Rear Mounting Plate		83100-01	2
14.	Spacer Plate		83100-02	2
15.	Hex. Hd. Cap Screw	5/8" NC. x 2" LG. GR.8	9043869	6
16.	Lock Nut	5/8" NC.	9043307	8
17.	Hex. Hd. Cap Screw	1" NF. x 3 1/2" LG. GR.8	9043986	2
18.	Lock Nut	1" NF.	9043331	4
19.	Hex. Hd. Cap Screw	5/8" NC x 3 1/2" LG. GR.8	9043975	2
20.	LH. Bottom Spacer		83125-00	1
21.	Lift Cyl. Base Pin		83100-05	2
22.	Grease Nipple	1/4" NF.	9012501	3
23.	Pivot Pin		83100-04	1
24.	RH. Bottom Spacer		83124-00	1
25.	Ford Adaptor Brk't.		83100-30	2
26.	Hex. Hd. Cap Screw	1" NF. x 2 1/2" LG. GR.8	9043972	2
27.	LH. Top Spacer		83102-80	1
28.	Hex. Hd. Cap Screw	3/4" NC. x 2 1/2" LG. GR.8	9043944	2
29.	Lock Nut	3/4" NC.	9043321	4
30.	Hex. Hd. Cap Screw	3/4" NC. x 2" LG. GR.8	83100-06	2
31.	Flat Washer	3/4" NOM. SAE	9045359	2
32.	RH. Top Spacer		83102-70	1
33.	RH. GM. Adaptor Brk't.		83127-00	1
34.	LH. GM. Adaptor Brk't.		83128-00	1
35.	Decal	10" Vulcan	9033046	2



# "Add-On" Stinger Extension Cylinder Assembly 83010-00



ITEM	DESCRIPTION	SIZE	PART #	
1.	Cyl. Body Weld't.		83010-30	1
2.	Hex. Hd. Cap Screw	5/8" NF. x 2" GR.5	9043815	1
3.	Flat Washer	5/8" NOM. SAE	9045358	1
4.	Back-up Ring	1 5/8" I.D. x 2" O.D.	9031006	2
5.	"O" Ring	1 5/8" I.D. x 2" O.D. x 3/16" W.	9030326	1
6.	Guide Bushing		86024-01	1
7.	Piston		86024-02	1
8.	"O" Ring	1 1/16" I.D. x 1 1/4" O.D. x 3/32" W.	9030121	1
9.	Sleeve		83010-03	1
10.	"O" Ring	1 3/4" I.D. x 2" O.D. x 1/8" W.	9030224	1
11.	"O" Ring	1 1/4" I.D. x 1 1/2" O.D. x 1/8" W.	9030218	1
12.	Back-up Ring	1 1/4" I.D. x 1 1/2" O.D.	9031004	1
13.	Wiper Ring	1 1/4" NOM.	9031005	1
14.	Piston Rod Weld't.		83010-40	1

REPORT OF A

COMMISSIONER OF THE

GENERAL LAND OFFICE

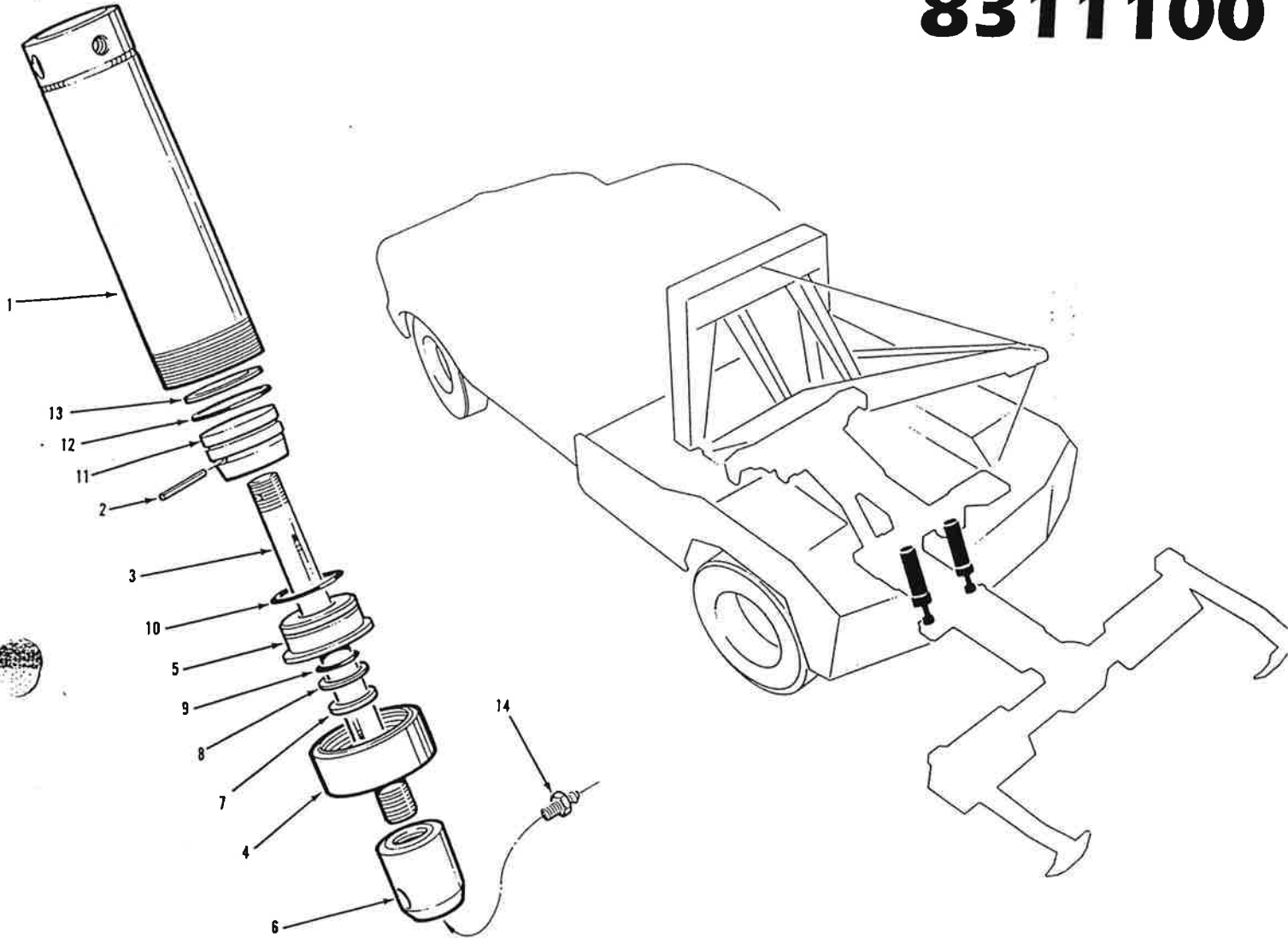
)

)

)



# "Add-On" Lift Cylinder 8311100



## "ADD-ON" LIFT CYLINDER 8311100

ITEM	DESCRIPTION	SIZE	PART #	QTY.
1.	Cyl. Body		83111-30	1
2.	Roll Pin	3/16" DIA. x 2 1/2" LG.	9046319	1
3.	Piston Rod		83111-01	1
4.	Cylinder Nut		86027-06	1
5.	Guide Bushing		86027-01	1
6.	Rod. End.		83111-02	1
7.	Wiper Ring	1 1/2" NOM.	9031011	1
8.	Back-up Ring	1 1/2" I.D. x 1 3/4" O.D.	9031104	1
9.	O-Ring	1 1/2" I.D. x 1 3/4" O.D. x 1/8" W.	9030222	1
10.	O-Ring	2 3/4" I.D. x 3" O.D. x 1/8" W.	9030232	1
11.	Piston		86027-02	1
12.	O-Ring	2 5/8" I.D. x 3" O.D. x 3/16" W.	9030334	1
13.	Back-up Ring	2 5/8" I.D. x 3" O.D.	9031020	1
14.	Grease Nipple	1/4" NF.	9012501	1

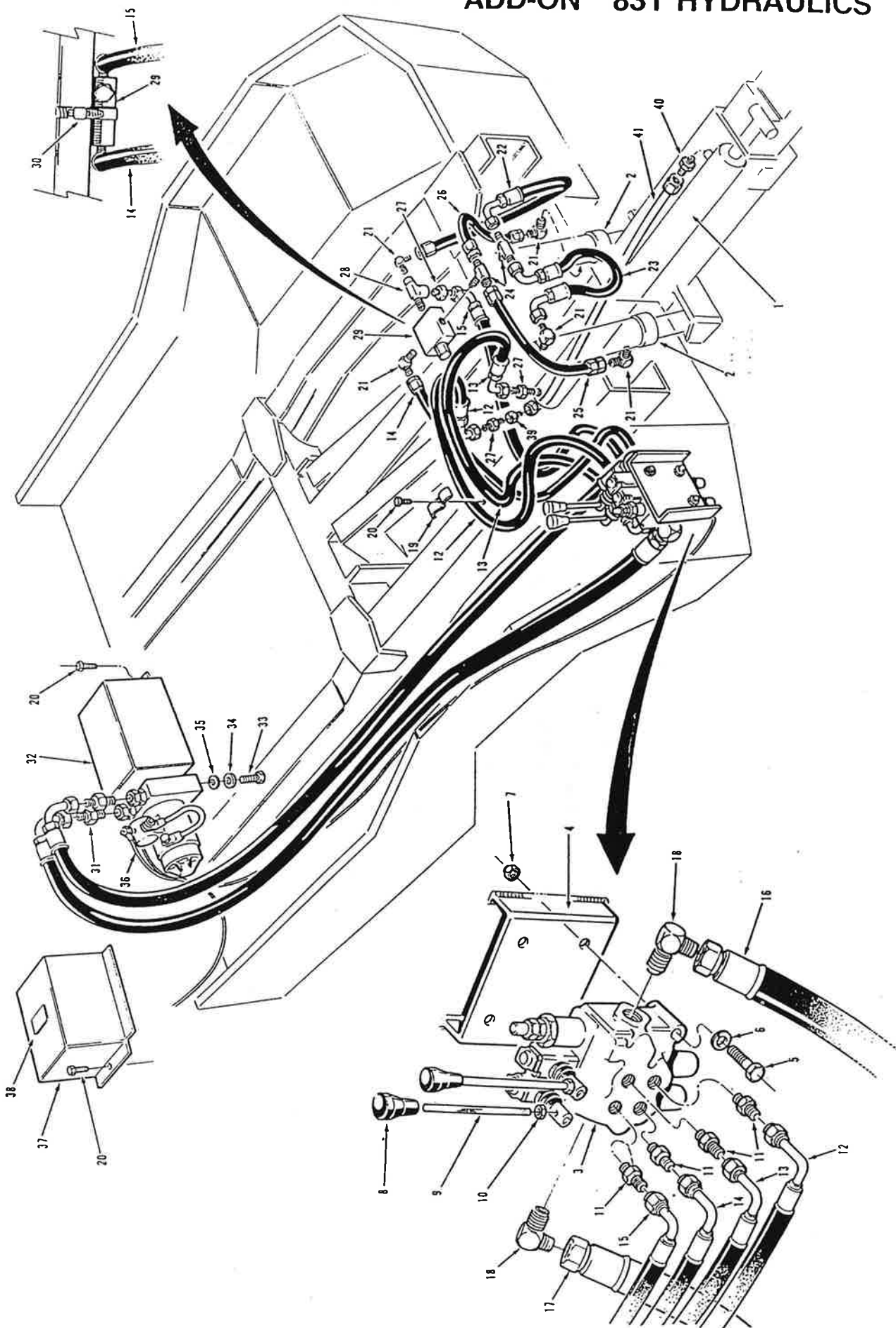
1911-12-13  
1000000



1911-12-13



# "Add-On" 831 Hydraulics



# "ADD-ON" 831 HYDRAULICS

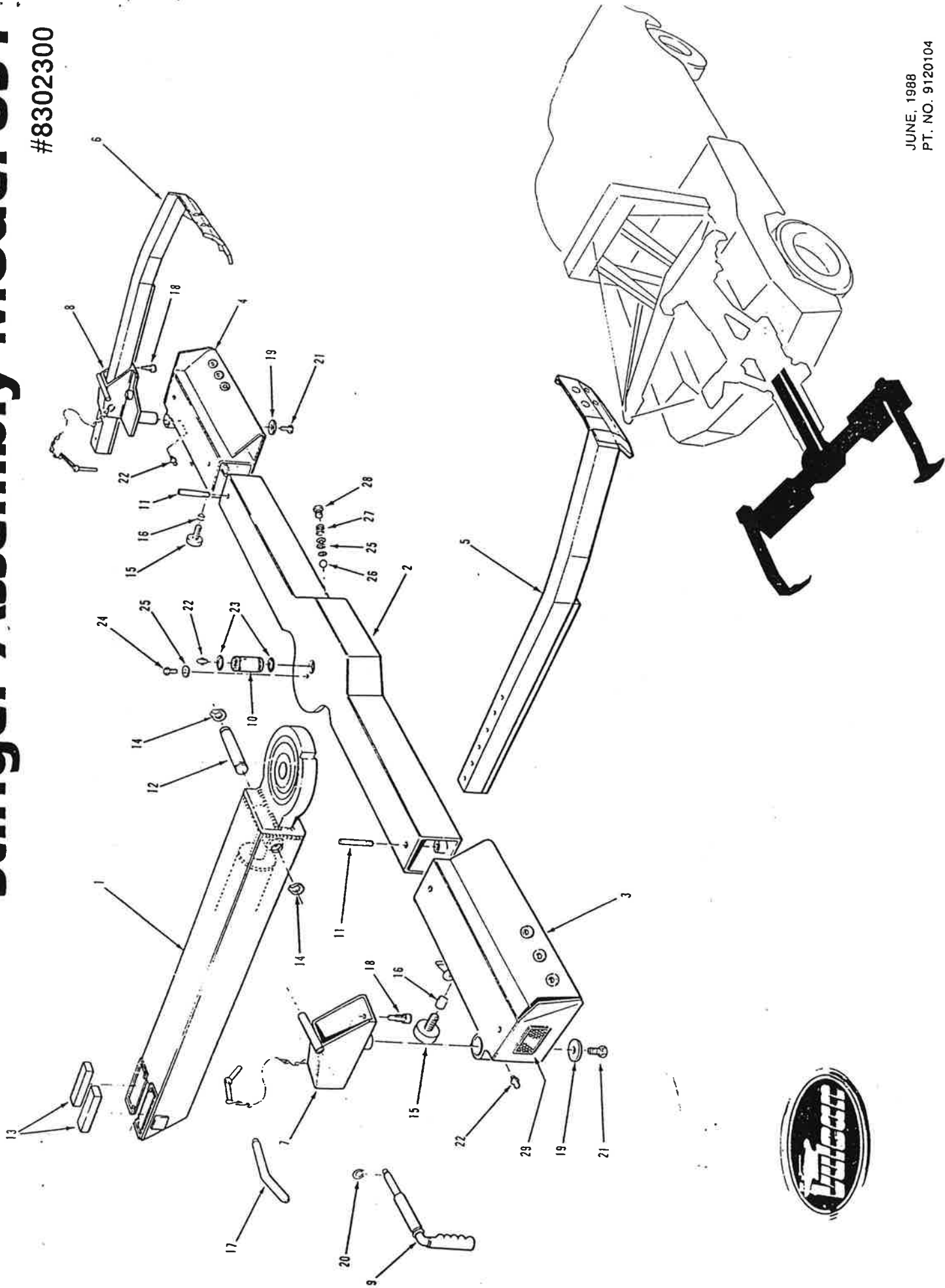
ITEM	DESCRIPTION	SIZE	PART #	QTY.
1.	Stinger Ext. Cyl. Assy.		83010-00	1
2.	Lift Cyl. Assy.		83111-00	2
3.	Control Valve		9015920	1
4.	Valve Bracket		83022-00	1
5.	Hex. Hd. Cap Screws	1/4" NC. x 2 1/2" LG.	9041011	3
6.	Lock Washer	1/4" NOM.	9045055	3
7.	Hex. Nuts	1/4" NC.	9043125	3
8.	Control Knob		9015925	2
9.	Control Handle		9015926	2
10.	Lock Nut		9015927	2
11.	Straight Conn.	9/16" JIC. x 1/2" SAE	9011653	4
12.	Hose Assy.		83018-00	1
13.	Hose Assy.		83019-00	1
14.	Hose Assy.		83112-00	1
15.	Hose Assy.		83113-00	1
16.	Hose Assy.		83017-00	1
17.	Hose Assy.		83017-00	1
18.	90° Elbow	3/4" JIC x 7/8" SAE	9012946	2
19.	Tube Clamp		9048166	1
20.	Thread Cutting Screw	1/4" NC. x 1" LG.	9043842	5
21.	90° Elbow	1/4" NPT. x 9/16" JIC.	9011041	5
22.	Hose Assy.		83116-00	1
23.	Hose Assy.		83114-00	1
24.	Male Branch Tee	9/16" JIC. x 1/4" NPT.	9011655	2
25.	Hose Assy.		83115-00	1
26.	Hose Assy.		83115-00	1
27.	Straight Conn.	1/4" NPT. x 9/16" JIC.	9011039	3
28.	Street Tee	1/4" NPT. x 9/16" JIC.	9011001	1
29.	Lock Valve		9015714	1
30.	Hose Clamp	6" NOM.	9018058	1
31.	Straight Conn.	3/8" NC. x 3/4" LG.	9011649	2
32.	Power Pack	12 Volt — 2 Gal. Tank	9020029	1
33.	Hex. Hd. Cap Screw	3/8" NC. x 1" LG.	9041205	2
34.	Lock Washer	3/8" NOM.	9045057	2
35.	Flat Washer	3/8" NOM.	9045255	2
36.	Wiring Assy.		83120-00	1
37.	Cover Box		83012-30	1
38.	Decal	"Oil Notice"	9033163	1
39.	Straight Adaptor	3/8" Tube x 1/4" NPT. FEM.	9011033	1
40.	Straight Adaptor	3/8" Tube x 1/4" NPT.	9011021	1
41.	HMD. Pipe		83013-01	1

8301465



# Stinger Assembly Model 831

#8302300



## STINGER ASSEMBLY MODEL 831 #8302300

ITEM	DESCRIPTION	SIZE	PART #	QTY.
1.	Stinger Weld't		8300400	1
2.	Cross Beam Weld't		8700140	1
3.	Wheel Grid Weld't L.H.		8302500	1
4.	Wheel Grid Weld't R.H.		8302400	1
5.	Wheel Retainer L.H.		8700190	1
6.	Wheel Retainer R.H.		8700180	1
7.	Scoop Brk't Weld't L.H.		8701600	1
8.	Scoop Brk't Weld't R.H.		8701500	1
9.	Stop Pin Weld't		8621400	2
10.	Scoop Pivot Pin		8609001	1
11.	Stopper Pin		8600403	2
12.	Rod Pin (Ext. Cyl.)		8600208	1
13.	U.H.M.W. Wear Bars	5/8" x 1 1/2" x 6" LG.	9031158	2
14.	Retaining Ring	1 1/4" NOM.	9056125	2
15.	Nylon Bushing		8600402	2
16.	Slide Lo K Handle		8601900	2
17.	Lock Pin	3/8" x 5" LG.	8602001	2
18.	Scoop Pin		8609001	2
19.	Washer		8600404	2
20.	Retaining Ring	3/4" NOM.	9056075	2
21.	Hex Head Cap Screw	5/8"-11 NC. x 1 1/2" LG. GR.5	9043950	2
22.	Grease Nipple	1/4" 28 NF.	9012501	2
23.	"O" Ring	1" ID. x 1 1/4" OD. x 1/8" W.	9030214	2
24.	Allen Button Cap Screw	3/8"-16 NC. x 3/4" LG.	9043956	1
25.	Washer	3/8" NOM.	9045255	4
26.	Ball Bearing	1" DIA.	9052013	1
27.	Compression Spring	1" OD. x 1/2" ID. x 1" LG. MHP-42	9047057	1
28.	Pipe Plug	1" NPT.	9012944	1
29.	Reflector		9025068	2