

CENTURY®

L E G E N D A R Y L E A D E R S H I P



OWNER'S MANUAL

MAXXPRO PK PARTS

**NOTE: MANUAL including SPECIFICATIONS, subject to change without notice
All ratings specified are based on structural factors only,
not vehicle capacities or capabilities.**

CENTURY®

Miller Industries Towing Equipment Inc.
8503 Hilltop Drive
Ooltewah, Tennessee 37363
Phone (423) 238-4171 • FAX (423) 238-5371

FORM NO. 29605000
06 / 2018
PRICE \$25.00

LIMITED WARRANTY

MILLER INDUSTRIES TOWING EQUIPMENT INC., hereinafter referred to as MILLER, warrants to the original purchaser that each new MILLER wrecker or other MILLER products will be free from defects in material and workmanship for a period of twelve (12) months from date placed in service, but in no event shall such warranty period exceed twenty-four (24) months from date of manufacture by MILLER. The purchaser must promptly notify MILLER in writing of any failure in material or workmanship. In no event shall MILLER accept such notification later than twenty-four (24) months from date of delivery or twelve (12) months from date placed in service, whichever is earlier.

MILLER's obligation under this warranty, statutory or otherwise, is limited to the repair or replacement at the MILLER factory, or at a point designated by MILLER, of such part or parts as shall appear upon inspection by MILLER to be defective in material or workmanship. New or remanufactured parts will be used for any replacement at MILLER's option. This warranty is not transferable. This warranty does not obligate MILLER to bear the cost of labor or transportation charges in connection with the repair or replacement of any parts found to be defective, nor shall it apply to a product upon which repairs or alterations have been made unless authorized by MILLER.

EXCEPT AS EXPRESSLY SET FORTH IN THIS WARRANTY, MILLER MAKES NO OTHER WARRANTY, EXPRESS OR IMPLIED, AND HEREBY DISCLAIMS ALL OTHER WARRANTIES INCLUDING, BUT NOT LIMITED TO, THE IMPLIED WARRANTIES OF MERCHANTABILITY AND FITNESS FOR A PARTICULAR PURPOSE. MILLER shall in no event be liable for claimed downtime, claimed loss of profits or goodwill, or any other special, incidental, indirect, or consequential damages concerning or relating to any product or parts, whether based on negligence, strict liability, breach of contract, breach of warranty, misrepresentation or any other legal theory, regardless of whether the loss resulted from any general or particular requirement which MILLER knew or had reason to know about at the time of sale.

MILLER MAKES NO WARRANTY, EXPRESS OR IMPLIED, AS TO THE FINISHED PRODUCTS MANUFACTURED OR SUPPLIED BY ANOTHER MANUFACTURER AND SUPPLIED BY MILLER TO PURCHASER, including, but not limited to, any vehicle to which a MILLER product may be affixed or any accessories or wire rope, and MILLER EXPRESSLY DISCLAIMS ANY IMPLIED WARRANTIES OF MERCHANTABILITY OR FITNESS FOR A PARTICULAR PURPOSE AS TO SUCH EQUIPMENT OR PRODUCTS. This language shall in no way affect or diminish the rights of the purchaser to rely on such warranties as are extended by such manufacturers or suppliers. MILLER shall, to the extent permitted under applicable law, pass on to the purchaser such manufacturer's or seller's warranty.

MILLER, whose policy is one of continuous improvement, reserves the right to improve its products through changes in design or materials as it may deem desirable without being obligated to incorporate such changes in products previously sold. This warranty is not intended to cover or include the following items, which are set forth by way of example and not limitation:

- A. Normal deterioration of trim, paint, lettering, and appearance items due to wear or exposure to weather, road conditions, road treatments, etc.
- B. Any damage or defect due to accident, misuse, abuse, improper or unauthorized repairs, failure to provide reasonable and necessary maintenance, or uses for which the equipment was not designed or intended.
- C. Alterations or modifications that affect performance, operation or reliability.
- D. Normal maintenance parts including, but not limited to, wear pads, bushings, wire rope, mud flaps, fenderettes, light bulbs, hydraulic oil, filters, and tow sling belts.

IT IS EXPRESSLY UNDERSTOOD THAT MILLER MAKES NO IMPLIED WARRANTY THAT MILLER PRODUCTS SHALL BE FIT FOR THE PURPOSE OF LIFTING OR MOVING PEOPLE OR FOR ANY OTHER IMPROPER USE.



Miller Industries Towing Equipment Inc.
8503 Hilltop Drive
Ooltewah, Tennessee 37363
Telephone (423) 238-4171

SERIAL NUMBER

OWNER, USER AND OPERATOR:

We appreciate your choice of our towing and recovery unit for your application. Our number one priority is user safety which is best achieved by our joint efforts. We feel that you can make a major contribution to safety if you, as the equipment owner and operator:

1. **Comply with Federal, State, and Local Regulations.**
2. **Read, Understand, and Follow the Instructions in this Manual.**
3. **Use Good, Safe Work Practices in a Common Sense Way.**
4. **Only have Authorized and Trained Personnel performing maintenance on the Towing and Recovery Unit.**

TABLE OF CONTENTS

It is assumed by the manufacturer that the Owner/Operator has a thorough knowledge of the accepted and lawful retrieval and towing methods as dictated by his city, county or state. The manufacturer rejects any liability claim that may result from the incorrect or unlawful application of its equipment.

Section I - PARTS

PARTS LIST	I-2 THRU I-29
LH BODY ASSEMBLY	I-30 & I-31
RH BODY ASSEMBLY	I-32 & I-33
SUBFRAME ASSEMBLY	I-34 & I-35
HOUSE LOCK ASSEMBLY	I-36 & I-37
WRECKER ASSEMBLY	I-38 & I-39
SWING LIMIT VALVE ASSEMBLY	I-40 & I-41
SWING DRIVE ASSEMBLY	I-42 & I-43
BOOM LIFT CYLINDER ASSEMBLY	I-44 & I-45
WINCH ASSEMBLY	I-46 & I-47
HYDRAULIC SWIVEL PLATE ASSEMBLY	I-48 & I-49
AIR SYSTEM KIT	I-50 & I-51
BOOM ASSEMBLY	I-52 & I-53
BOOM EXTEND CYLINDER ASSEMBLY	I-54 & I-55
BOOM SWIVEL ASSEMBLY	I-56 & I-57
UNDERLIFT MAST ASSEMBLY	I-58 & I-59
SWIVEL ASSEMBLY	I-60 & I-61
UNDERLIFT BOOM ASSEMBLY	I-62 & I-63
ARTICULATING CROSSBAR ASSEMBLY	I-64 & I-65
CONTROL VALVE ASSEMBLY	I-66 & I-67

TABLE OF CONTENTS (cont'd)

Section I - PARTS

OUTRIGGER VALVE ASSEMBLY	I-68 & I-69
REAR OUTRIGGER ASSEMBLY	I-70 & I-71
FRONT OUTRIGGER ASSEMBLY	I-72 & I-73
RESERVOIR ASSEMBLY	I-74 & I-75
PTO & PUMP ASSEMBLY	I-76 & I-77
PUMP, VALVE & FILTER HYDRAULICS	I-78 & I-79
BOOM HYDRAULICS	I-80 & I-81
WINCH HYDRAULICS	I-82 & I-83
BOOM SWING HYDRAULICS	I-84 & I-85
UNDERLIFT LIFT & EXTEND HYDRAULICS	I-86 & I-87
UNDERLIFT TILT & FOLD HYDRAULICS	I-88 & I-89
FRONT OUTRIGGER HYDRAULICS	I-90 & I-91
REAR OUTRIGGER HYDRAULICS	I-92 & I-93
DRAG WINCH HYDRAULICS	I-94 & I-95
GAUGE PANEL SUBKIT	I-96 & I-97
LIFT ADAPTERS	I-98 & I-99
TIRE LIFT CRANE ASSEMBLY	I-100 & I-101
SPARE TIRE STOWAGE ASSEMBLIES	I-102 & I-103
RATED CAPACITY INDICATOR KIT	I-104

Section I - PARTS

This Section is provided by the manufacturer for the purpose of ordering component parts of the **Century MAXXPRO PK** that may be required when part replacement is necessary. Be certain to use only original equipment replacement parts for warranty purposes as well as for keeping your unit in its original state and optimum operating capacities.

When ordering replacement or spare parts be sure to provide the following information to the manufacturer's **Parts Department**.

1. **Manual Number & Date of Publication**
2. **Manual Page Number**
3. **Page Title**
4. **Reference Number of Part Desired**
5. **Part Number**
6. **Part Description**
7. **Quantity of Part Desired**

Providing this information will help ensure that the correct parts will be delivered to you in an expedient manner without delay. Should additional information be required for repair or replacement of certain components, contact your Wrecker Manufacturer Authorized Representative.

The Manufacturer reserves the right, without notice or obligation, to improve or modify their products, which may change the specifications, models and feature availability.

Section I - PARTS (cont'd)

MAXXPRO PK PARTS LIST

ITEM	PART NUMBER	DESCRIPTION	QTY
--	50002960	MAXXPRO PK	
1	09004645	SHIP KIT, MAXXPRO PK	1
2	09007608	MAXXPRO PK, BUA	1
3	50002958	LT BODY ASSY, MAXXPRO PK	1
4	50002959	RT BODY ASSY , MAXXPRO PK	1
--	09004645	SHIP KIT, MAXXPRO PK	
5	09007170	SHIP KIT, MAXXPRO PK INSTALL	1
6	09007171	PACKOUT KIT, MAXXPRO PK	1
--	09007170	SHIP KIT, MAXXPRO PK INSTALL	
7	0301577	1/4 OD PLASTIC AIRLINE, BLACK	27
8	0311679	WIRE ROPE, 7/8 X 210 C-PAC 8	1
9	0312720	3/4X200 CP8 ROPE W/ 11TON CSBY	2
10	0906838	GROUND KIT MTG.HARNES CENTURY	1
11	0907043	KIT, HOLE PLUG TOOL BOX	1
12	0908382	KIT, MUDFLAP LRG CENTURY WKR	1
13	26833066	MAXXPRO REPLACEMENT PTO	1
14	26833067	MAXXPRO REPLACEMENT PUMP	1
15	26837186	GUSSET MOUNTING	6
16	26839026	PUMP KIT	1
17	26839055	TAILGATE HDWRE KIT	1
18	26839056	TAILGATE MTG ANGLE KIT	1
19	26839057	DRIP RAIL KIT	1
20	26839058	VALVE COVER KIT	1
21	26839059	CTL PANEL FINISHING KIT	1
--	0906838	GROUND KIT MTG. HARNES CENTURY	
22	0400126	SCREW, 3/8-16X1 HHC GR5	1
23	0400392	NUT, 3/8-16 LOK	1
24	0400481	LKWASHER, 3/8 EXT	1
25	0400499	LKWASHER, 3/4 EXT	1
26	0402122	NUT, 3/8-16 HEX SS	1
--	0907043	KIT, HOLE PLUG TOOL BOX	
27	0307052	WASHER, RUBBER 7/16X1 1/4X1/4	8
28	0400201	BOLT, 1/2-13X1-1/2 CAR GR5	4
29	0400407	NUT, 1/2-13 HEX	4
30	0400491	LKWASHER, 1/2	4
31	0400492	WASHER, 1/2	4
32	0400506	WASHER, 5/8	4
--	0908382	KIT, MUDFLAP LRG CENTURY WKR	
33	0310631	MUD FLAP, CENTURY	2
34	0400103	SCREW, 5/16-18X1-1/4 HHC GR5	8
35	0400148	SCREW, 3/8-16X1-1/4 HHC GR5	4
36	0400382	NUT, 5/16-18 LOK	8
37	0400392	NUT, 3/8-16 LOK	4
38	0717386	BAR, MUDFLAP	2
39	0718139	ANGLE, MUD FLAP MOUNT	2

Section I - PARTS (cont'd)

MAXXPRO PK PARTS LIST

ITEM	PART NUMBER	DESCRIPTION	QTY
--	26839026	PUMP KIT	
40	0303290	INSULATED CLAMP, 2 1/2	4
41	0307311	FILTER SCREEN, INLINE	1
42	0711438	BRKT, HOSE	2
43	26837179	PLATE, PUMP SUPPORT	1
44	26838015	PUMP SUPPORT WELDMENT	1
45	26839060	MAXXPRO PUMP FITTING KIT	1
46	26839061	MAXXPRO PUMP HARDWARE KIT	1
--	26839060	MAXXPRO PUMP FITTING KIT	
47	0300364	CLAMP-HOSE, 0.875"-2.75" 50"LBS	4
48	0300558	HOSE, SUCTION 2"ID 100R4 (C4)	8
49	0301620	HYD. 6MJ-6MB90	2
50	0303188	HOSE HYD, 75" LG	1
51	25783082	16MBSPPOR-16MJ	1
52	26833006	HOSE ASSY, 1/4" X 18" LONG	1
53	26833009	HOSE ASSY, 1" X 144" LONG	1
54	26833035	CONNECTOR, 4MBSPPOR-6MJ	1
55	26833037	CONNECTOR, 12MBSPPOR-8MJ	1
56	26833065	HOSE ASSY 150" LONG	1
--	26839061	MAXXPRO PUMP HARDWARE KIT	
57	0400078	SCREW, 1/4-20X2 HHC GR5	2
58	0400122	SCREW, 3/8-16X1-1/4 HHC GR5	2
59	0400126	SCREW, 3/8-16X1 HHC GR5	2
60	0400188	SCREW, 1/2-13X2 HHC GR5	1
61	0400367	NUT, 1/4-20 LOK	2
62	0400392	NUT, 3/8-16 LOK	4
63	0400408	NUT, 1/2-13 LOK	1
64	0400451	WASHER, 1/4	2
65	0400480	WASHER, 3/8	6
66	0400487	LKWASHER, 7/16	1
67	0400710	SCREW, M10-1.5X20 HHC 10.9	1
--	26839055	TAILGATE HDWRE KIT	
68	0400286	SCREW, 3/4-10X2-3/4 HHC GR8	4
69	0400431	NUT, 3/4-10 LOK GR8	4
70	0400490	WASHER, 3/4 GR8	4
--	26839056	TAILGATE MTG ANGLE KIT	
71	0400286	SCREW, 3/4-10X2-3/4 HHC GR8	8
72	0400431	NUT, 3/4-10 LOK GR8	8
73	21477052	MOUNTING ANGLE, (RH)	1
74	21477053	MOUNTING ANGLE, (LH)	1
--	26839057	DRIP RAIL KIT	
75	0400062	SCREW, 1/4-20X3/4 THC	12
76	0722731	RETAINER, SIDE	2
77	26837176	ANGLE, RETAINING TOP	1

Section I - PARTS (cont'd)

MAXXPRO PK PARTS LIST

ITEM	PART NUMBER	DESCRIPTION	QTY
--	26839058	VALVE COVER KIT	
78	0400148	SCREW, 3/8-16X1-1/4 HHC GR5	4
79	0400482	LKWASHER, 3/8	4
80	26837044	FLOOR SHEET VALVE COVER	1
--	26839059	CTL PANEL FINISHING KIT	
81	0303056	"D" GASKET, H2 ADHESIVE	35
82	0304564	GLASS TUBE LEV-0-GAGE II	2
83	0307523	TRIM-LOK 7100B3 X 1/4C	3
84	26839023	DECAL KIT MPX CONTROLS	1
--	26839023	DECAL KIT MPX CONTROLS	
85	0501679	DECAL, THROTTLE - MR30	1
86	0501680	DECAL, WINCH FREESPOOL - MR30	3
87	0501681	DECAL, OUTRIGGER (IN/OUT) MR30	2
88	0501682	DECAL, OUTRIGGER (UP/DN) MR30	1
89	0501683	DECAL, JACK LEGS - MR30	1
90	0501684	DECAL, SLEW LOCK - MR30	1
91	0501685	DECAL, LEVEL - MR30	1
92	0501686	DECAL, 2-SPEED WINCH - MR30	3
93	0501765	DECAL, PTO MAXXPRO	1
94	26835001	DECAL, CONTROL	1
95	26835002	LABEL-BOOM CAPACITY	1
96	26835003	LABEL-BOOM CAPACITY	1
--	09007171	PACKOUT KIT, MAXXPRO PK	
97	0200020	FORK, MED 3IN OPNG	2
98	03008989	PAD, OUTRIGGER	4
99	03009735	STRAP, SPARE TIRE LIFTING	1
100	03010488	TIRE RESTRAINT ASSEMBLY	2
101	03010513	SHACKLE, 1/2" SCREW PIN	1
102	0306564	ALUM T HANDLE 5/8" X 1-1/4"	2
103	0307626	SAFETY CHAIN ASY,1/2X14' GR100	2
104	0310179	MASTERLINK, 1-1/4 CROSBY	1
105	0310181	SHACKLE, 1-1/4 SCREWPIN-CROSBY	2
106	0311306	1/2" 15' HOOK/MASTER BRIDLE	2
107	0311307	1/2" X 50' NYLON ROPE	1
108	0911088	COILED AIR LINE KIT	1
109	124001058	SNATCH BLOCK, 8 TON	4
110	124001514	HDU RISER BRACKET KIT	1
111	124001886	SNATCH BLOCK, 12 TONFOR UNITS	2
112	124002697	SLING KIT, ENDLESS ROUND	1
113	124004083	KIT, SHACKLES	1
114	124004153	3/8 X 10' ELIMINATOR BRIDLE	2
115	124004155	1/2 X 12' ELIMINATOR BRIDLE	2
116	124004156	1/2 CHAIN SLING FNDRY HOOK KIT	2
117	174024001	5/16 LOAD BINDER	1
118	174025025	10'-3/8 SAFETY CHAIN ASSEMBLY (2
119	174025034	20'-3/8 SAFETY CHAIN ASSEMBLY (2
120	174025037	GR100 1/2 X 10' SAFETY CHAINS	2

Section I - PARTS (cont'd)

MAXXPRO PK PARTS LIST

ITEM	PART NUMBER	DESCRIPTION	QTY
--	09007171	PACKOUT KIT, MAXXPRO PK (cont'd)	
121	174025039	GR100 1/2 X 20' SAFETYCHAINS	2
122	25359020	BUS PIN CLEVIS EYE LIFT KIT	1
123	25359021	MAXXPRO SPRING LIFT ADAPT KIT	1
124	25359022	MAXXPRO SQUISH PLATE KIT	1
125	25859004	PIN, RETAINER ASSEMBLY	2
126	26833068	25' TETHER, REMOTE, SPARE	1
127	26837076	FORK-4.5" MEDIUM-MODIFIED	2
128	26838045	MAXXPRO CHAIN RACK WELDMENT	1
129	26838064	LEFT FORK ADAPTER	1
130	26838065	RIGHT FORK ADAPTER	1
131	26839037	KIT, PINTLE HOOK MAXXPRO	1
132	26839046	MAXXPRO LIVE AIR KIT	1
133	26839075	LIFT BRKT TYPE 3 MAXXPRO	1
134	9401902	TRAILER RECOVERY LOOP (EA)	1
--	0911088	COILED AIR LINE KIT	
135	0307739	AIR COIL SET	1
136	0307740	GLAD HAND, (RED)	2
137	0307741	GLAD HAND, SERVICE (BLUE)	2
--	25359020	BUS PIN CLEVIS EYE LIFT KIT	
138	0902378	PIN-3224 RET. ASSY	2
139	25358013	LIFT ATTACHMENT	2
140	25359027	PIN, BUS ASSY MAXXPRO	2
--	0902378	PIN-3224 RET. ASSY	
141	0302474	PIN, LINCH 3/16	1
142	0311167	3/16 SWAGE FOR 1/8 COATED CABL	1
143	0311210	CABLE, PIN RETAINER ASSY .125	1
144	0400568	PIN, 3/8X3 SPR	1
145	0402020	SCREW, 1/4-20X3/4 HHC SS	1
146	0707517	PIN, RETAINER	1
--	25359027	PIN, BUS ASSY MAXXPRO	
147	0301861	QUICK PIN,LINCH -B7932 PL 7/16	1
148	0400554	PIN, 3/8X1 SPR	1
149	25357078	PIN, BUS LIFT FORK	1
--	25359021	MAXXPRO SPRING LIFT ADAPT KIT	
150	0908672	PIN, RET.-SPRING LIFT	2
151	25358014	BRKT-PIVOT SPRING LIFT MAXXPRO	2
--	0908672	PIN, RET.-SPRING LIFT	
152	0302474	PIN, LINCH 3/16	1
153	0311167	3/16 SWAGE FOR 1/8 COATED CABL	1
154	0311210	CABLE, PIN RETAINER ASSY .125	1
155	0400568	PIN, 3/8X3 SPR	1
156	0400573	PIN, 3/16X1-1/4 SPR	1

Section I - PARTS (cont'd)

MAXXPRO PK PARTS LIST

ITEM	PART NUMBER	DESCRIPTION	QTY
--	0908672	PIN-RET.-SPRING LIFT (cont'd)	
157	0402020	SCREW, 1/4-20X3/4 HHC SS	1
158	0718917	PIN, RETAINER	1
--	25359022	MAXXPRO SQUISH PLATE KIT	
159	0301861	QUICK PIN,LINCH -B7932 PL 7/16	1
160	0804334	PIN, MULTI-POSITION	1
161	25358016	MAXXPRO SQUISH PLATE WLDMT	1
--	25859004	PIN, RETAINER ASSEMBLY	
162	0302474	PIN, LINCH 3/16	1
163	0307788	CABLE, PIN RETAINER SU-ASSY	1
164	0307789	SWAGE, CABLE LOOP (1/8 CABLE)	1
165	0400044	SCREW, 10X1/2 DRV	1
166	0400568	PIN, 3/8X3 SPR	1
167	0400573	PIN, 3/16X1-1/4 SPR	1
168	25857027	PIN, RETAINING	1
--	26839037	KIT, PINTLE HOOK MAXXPRO	
169	0400308	SCREW, 7/8-9X3-1/2 HHC GR8	4
170	0400437	NUT, 7/8-9 LOK GR8	4
171	0400821	WASHER, 7/8 SAE GR8	4
172	0500241	DECAL-SAFETY CHAIN WARN	2
173	0900900	PIN ASSY, RETAINER	2
174	22403001	PINTLE HOOK	1
175	26838026	TOW PINTLE BRKT WLDMT	1
176	26839036	PIN ASSY, PINTLE	2
--	0900900	PIN-ASSY, RETAINER	
177	0300247	PIN, SAFETY 1053 ZP	1
178	0302474	PIN, LINCH 3/16	1
179	0311167	3/16 SWAGE FOR 1/8 COATED CABL	1
180	0311210	CABLE, PIN RETAINER ASSY .125	1
181	0400568	PIN, 3/8X3 SPR	1
182	0400573	PIN, 3/16X1-1/4 SPR	1
183	0402020	SCREW, 1/4-20X3/4 HHC SS	1
184	0703426	PIN, RETAINER	1
--	26839036	PIN ASSY, PINTLE	
185	0301861	QUICK PIN,LINCH -B7932 PL 7/16	1
186	0307788	CABLE, PIN RETAINER SU-ASSY	1
187	0307789	SWAGE, CABLE LOOP (1/8 CABLE)	1
188	26838018	PIN WLDMT-PINTLE HOOK	1
--	26839046	MAXXPRO LIVE AIR KIT	
189	0303541	NIPPLE, QUICK DISCONNECT	1
190	0303542	QUICK DISCONNECT, BARB	1
191	0307033	CLAMP, HOSE 5/8" 2-EAR	2
192	0311037	3/8" RED RUBER HOSE 50' PRECUT	1

Section I - PARTS (cont'd)

MAXXPRO PK PARTS LIST

ITEM	PART NUMBER	DESCRIPTION	QTY
--	26839075	LIFT BRKT TYPE 3 MAXXPRO	
193	25357074	SPACER	2
194	26838062	LIFT BRACKET WELDMENT (LEFT)	1
195	26838063	LIFT BRACKET WELDMENT (RIGHT)	1
196	26839072	PIN ASSY, MAXXPRO LIFT ADAPTE	2
197	26839076	PIN-RETAINER ASSY	4
198	HD1259	SAFETY SNAP PIN	2
199	26839072	PIN ASSY, MAXXPRO LIFT ADAPTE	
200	0301553	1/16 CABLE ASSY 17"	1
201	0301861	QUICK PIN,LINCH -B7932 PL 7/16	1
202	0307788	CABLE, PIN RETAINER SU-ASSY	1
203	0307789	SWAGE, CABLE LOOP (1/8 CABLE)	1
204	0400044	SCREW, 10X1/2 DRV	1
205	0400568	PIN, 3/8X3 SPR	2
206	26837299	PIN, MAXXPRO TYPE 2 LIFT ADAP	1
--	26839076	PIN-RETAINER ASSY	1
207	0302474	PIN, LINCH 3/16	1
208	0307788	CABLE, PIN RETAINER SU-ASSY	1
209	0307789	SWAGE, CABLE LOOP (1/8 CABLE)	1
210	0400044	SCREW, 10X1/2 DRV	1
211	0400568	PIN, 3/8X3 SPR	1
212	0400573	PIN, 3/16X1-1/4 SPR	1
213	26837306	PIN, RETAINING	1
--	09007608	MAXXPRO PK, BUA	
214	0300113	GREASE FITTING, 1/4-28 STR	1
215	0300132	14" UV BLK CABLE TIE	50
216	0301945	GLAD HAND PLUG	2
217	0301946	BLKHD CONNECT	3
218	0301949	3/8" OD AIRLINE,SYNFLEX HOSE	9
219	0302534	45 DEG ELBOW	1
220	0303538	ADAPTER -BRASS 8FP-6MP	1
221	0303539	QUICK DISCONNECT 3/8 FPT	1
222	0307740	GLAD HAND, (RED)	1
223	0307741	GLAD HAND, SERVICE (BLUE)	1
224	0310575	STR -1/4NPT X 3/8 TUBE	2
225	0311184	PLUG, 16MJ	1
226	0311229	3/8" RED AIR LINE SYNFLEX	7
227	0311230	1/2" BLUE AIR LINE SYNFLEX	7
228	0400002	SCREW, 4X1/4 DRV	4
229	0400070	SCREW, 1/4-20X1 HHC GR5	9
230	0400109	SCREW, 5/16-18X1 HHC GR5	2
231	0400132	SCREW, 3/8-16X1-1/2 HHC GR5	14
232	0400367	NUT, 1/4-20 LOK	5
233	0400379	NUT, 5/16-18 SPR J	2
234	0400451	WASHER, 1/4	2
235	0402043	SCREW, 3/8-16X1-1/4 HHC SS	4
236	0402118	LKWASHER, 5/16 SS	2

Section I - PARTS (cont'd)

MAXXPRO PK PARTS LIST

ITEM	PART NUMBER	DESCRIPTION	QTY
--	09007608	MAXXPRO PK, BUA (cont'd)	
237	0402121	LKWASHER, 3/8 SS	18
238	0500686	DECAL, RETRACT CAUTION	1
239	09007071	UNIT ASSY, STATION 4 MAX PK	1
240	09007074	SUBKIT, PANEL, GAUGE	1
241	174016129	JERRY CAN RACK	4
242	18565012	PLATE-SERIAL & DATA AUSTR MIL	1
243	26833031	DECK STORAGE BOX	1
244	26833050	HARNESS-REAR WORK LAMP MAIN	2
245	26833064	7-WAY PIGTAIL	1
246	26838013	VALVE COVER WELDMENT	1
247	26838034	PINTLE HOOK STOWAGE BRACKET	2
248	26838038	FLOOR SHEET WELDMENT-RH REAR	1
249	26838039	FLOOR SHEET WELDMENT-CTR COVER	1
250	26838040	FLOOR SHEET WELDMENT-REAR CTR	1
251	26839027	EXTERNAL LIGHTING KIT	1
252	26839042	BODY MOUNTING KIT	1
253	26839048	SUBKIT-PANEL, CONTROL	1
254	9032049	RB-245 RUBBER GROMMET-2	2
255	GV57	RUBBER GROMMET, ATLANTIC	1
--	09007071	UNIT ASSY, STATION 4 MAX PK	
256	0307313	LH INCLINOMETER, REIKER	1
257	0307314	RH INCLINOMETER, REIKER	1
258	0310182	SHACKLE, 1-1/2 SCREWPIN-CROSBY	1
259	0400021	SCREW, 8-32X1/2 PRH SS	4
260	0400070	SCREW, 1/4-20X1 HHC GR5	3
261	0400078	SCREW, 1/4-20X2 HHC GR5	1
262	0400132	SCREW, 3/8-16X1-1/2 HHC GR5	8
263	0400133	SCREW, 3/8-16X3 HHC GR5	1
264	0400367	NUT, 1/4-20 LOK	4
265	0400392	NUT, 3/8-16 LOK	1
266	0400426	NUT, 5/8-11 LOK GR8	2
267	0400451	WASHER, 1/4	3
268	0400503	WASHER, 5/8 GR8	2
269	0402121	LKWASHER, 3/8 SS	8
270	0712380	D-RING	2
271	0722817	PIN	1
272	09007070	UNIT ASSY, STATION 3 MAX PK	1
273	0910793	KIT-WINCH CABLE STOW	1
274	24773013	LEVEL SENSOR	1
275	26833089	HARNESS-TURRET TO BOOM LAMPS	1
276	26837041	FLOOR SHEET LEFT FRONT	1
277	26837087	TUBE WIRE SUPPORT	1
278	26838037	FLOOR SHEET WELDMENT-RH FRT	1
279	26839014	BOOM ASSEMBLY	1
280	26839050	CABLE TIE BACK ASSY	1
281	9018255	1/2 TUBE CLAMP FM2127-PP	3
282	9044409	SCREW, 5/8-11X2-1/4 HHC GR8 YZ	2
283	945351500	PIN WELD'T LOWER LIFT CY	2

Section I - PARTS (cont'd)

MAXXPRO PK PARTS LIST

ITEM	PART NUMBER	DESCRIPTION	QTY
--	09007070	UNIT ASSY, STATION 3 MAX PK	
284	0300188	CLAMP,1-1/2" HOSE	8
285	0301113	HOSE HYD, 82"	1
286	0301388	90ELL, 8MJ-8MB90	1
287	0301470	90ELB 6MJ-8MB90	2
288	0301522	CONNECTOR, 6MJ-6MB	1
289	0301730	VALVE, DOUBLE HOLDING	1
290	0301837	INLINE ORIFICE	1
291	0301895	GREASE FITTING, 1/8 STR PTF	2
292	0302056	HOSE HYD, 183"	4
293	0302065	6-FJ CAP	2
294	0302372	HOSE HYD, 240" LG	4
295	0302508	ELL 8MJ-8MB 90LL	1
296	0302546	CLAMPING UNIT C-PH-10-2	2
297	0302550	C-SB-10-12 3/4 SPLIT	4
298	0302551	C-SN-10 SOCKET-HEAD	2
299	0302552	C-WA-10 WELD ADAPTER	2
300	0302575	BULKHEAD RUN TEE	2
301	0302610	HOSE HYD, 36"	1
302	0303017	CONNECTOR	2
303	0307042	ORIFICE(6MJ-6MBR-3/64)	1
304	0307115	SPRING EXTENSION-EXPRESS	2
305	0307980	ELL, 90 UNION MALE 1869X6X2 WH	2
306	0310289	LONG ADAPTER 6MJ-8MBLL	1
307	0310698	CONNECTOR, 6FJX-6FJX	1
308	0311179	HOSE DISCHARGE RB&H PVC-VF/S-4	1
309	0400078	SCREW, 1/4-20X2 HHC GR5	2
310	0400082	BOLT, 1/4-20X1.12 EYE	2
311	0400132	SCREW, 3/8-16X1-1/2 HHC GR5	2
312	0400191	SCREW, 1/2-13X3-3/4 HHC GR5	2
313	0400288	SCREW, 3/4-10X2-1/2 HHC GR8	8
314	0400304	SCREW, 7/8-9X2-1/2 HHC GR8	2
315	0400306	SCREW, 7/8-9X3 HHC GR8	6
316	0400366	NUT, 1/4-20 HEX	2
317	0400367	NUT, 1/4-20 LOK	4
318	0400392	NUT, 3/8-16 LOK	10
319	0400408	NUT, 1/2-13 LOK	2
320	0400430	NUT, 3/4-10 LOK	8
321	0400437	NUT, 7/8-9 LOK GR8	8
322	0400451	WASHER, 1/4	2
323	0400480	WASHER, 3/8	10
324	0400492	WASHER, 1/2	2
325	0703484	PULLEY, HOSE TENSIONER	2
326	0703487	BRKT, HOSE TENS PULLEY	2
327	0703488	WASHER, HOSE TENS PULLEY	4
328	08000190	ANGLE MTG. WLDT REAR DECK COV	1
329	09007069	UNIT ASSY, STATION 2 MAX PK	1
330	24773027	HOSE ASSY, 120" LG	1
331	26833083	HOSE-RETURN 16C4 X 15'	1
332	26833084	HOSE-RETURN 16C4 X 17'	1

Section I - PARTS (cont'd)

MAXXPRO PK PARTS LIST

ITEM	PART NUMBER	DESCRIPTION	QTY
--	09007070	UNIT ASSY, STATION 3 MAX PK (cont'd)	
333	26839016	CONTROL VALVE ASSEMBLY	
334	26839038	U/L MAST ASSY-MAXXPRO	1
335	9012552	BULKHEAD ADAPTER 1/8M-1/8F NPT	2
--	09007069	UNIT ASSY, STATION 2 MAX PK	
336	0301577	1/4 OD PLASTIC AIRLINE, BLACK	30
337	0302495	CONVOLUTED LOOM 1/4	30
338	0303505	WINCH-DP MODEL S50-50K (2)SPD	1
339	0311193	6" CABLE TIE	10
340	0400336	SCREW, 1-8X3 HHC GR8	28
341	0400522	WASHER, 1-1/16X2X1/8	28
342	09007068	UNIT ASSY, STATION 1 MAX PK	1
343	09007072	WRECKER FRAME ASSY MAX PK	1
344	09007730	SPARE TIRE STOWAGE ASSY	1
345	0902553	KIT, D RING LARGE	1
346	26833047	HARNESS-FREESPOOL AND 2SP	1
347	26833073	HARNESS-POWER GROUND EXT	1
348	26833088	HARNESS-EXT TO TURRET WNCB/BOM	1
349	9010520	ELBOW 1/4T-1/4NPT	1
--	09007068	UNIT ASSY, STATION 1 MAX PK	
350	0300229	ELB 8MJ-8MP90	1
351	0300434	HOSE BARB, 2	1
352	0301781	SWV NUT RUN TEE	1
353	0301851	TRIM-LOCK 150B2X1/8	0.5
354	0301961	BALL VALVE 2	1
355	0302052	TEE, 8MJ-8FJX-8MJ RUN	1
356	0302065	6-FJ CAP	1
357	0302170	SWV 90 DEG BENT	2
358	0302367	PIPE NIPPLE, 2 X 4	1
359	0302430	CONVOLUTED LOOM, 5/8	13
360	0302663	11.3" UV BLK CBL TIE	4
361	0302727	HYD CONNECTOR	1
362	0302757	CONNECTOR, 8MJ-16MB	1
363	0303036	8 FJ CAP	1
364	0307420	SLEEVE, NYLON PROTECTIVE-24HG	10.5
365	0310432	ADAPTER 16MJ-20MB	2
366	0312570	BEARING, ROTATOR 1130/1140	1
367	0400079	SCREW, 1/4-20X3/4 FHS GR5	4
368	0400126	SCREW, 3/8-16X1 HHC GR5	8
369	0400133	SCREW, 3/8-16X3 HHC GR5	4
370	0400223	SCREW, 3/8-16X3/4 SHC	4
371	0400333	SCREW, 1-8X4-1/2 HHC GR8	40
372	0400392	NUT, 3/8-16 LOK	12
373	0400408	NUT, 1/2-13 LOK	2
374	0400467	WASHER, 1/2 SAE PL	2
375	0400480	WASHER, 3/8	8
376	0400482	LKWASHER, 3/8	4
377	0400522	WASHER, 1-1/16X2X1/8	40

Section I - PARTS (cont'd)

MAXXPRO PK PARTS LIST

ITEM	PART NUMBER	DESCRIPTION	QTY
--	09007068	UNIT ASSY, STATION 1 MAX PK (cont'd)	
378	0400568	PIN, 3/8X3 SPR	2
379	0400594	SCREW, 1/4-20X5/8 FHS	4
380	0400785	SCREW, 3/8-16X7/8 HHC GR8	4
381	08006648	SUBFRAME WLMT, MAXXPRO PK	1
382	08006710	OUTRIGGER PAD STOWAGE WLMT	2
383	0807433	SWING LIMIT ANGLE WELDMENT	1
384	09007028	FRONT OUTRIGGER BEAM ASSY	2
385	09008690	OUTRIGGER VALVE ASSEMBLY	1
386	09008768	OUTRIGGER SYS, MAXXPRO PK REAR	1
387	0904049	KIT-BUMPER BOOM/TAILGATE	1
388	24777047	PIN, OUTRIGGER LOCK	2
389	24777130	PLATE, PAD CAGE	2
390	26833044	HOSE ASSY	2
391	26839052	RESERVOIR ASSY, MAXXPRO	1
392	26839065	HOUSE LOCK ASSY-MAXXPRO	1
393	896040002	NYLATRON, 6 X 1 1/2 X	4
394	9012536	GREASE NIPPLE 1/8NPT X90	3
395	9018016	HOSE CLAMP HS-20 1 1/4"	4
396	930150003	TOP PADS	2
--	09007028	FRONT OUTRIGGER BEAM ASSY	
397	0300110	SNAP RING, 1" 5100-100	2
398	0300113	GREASE FITTING, 1/4-28 STR	1
399	0301487	CLAMP HOSE 1/2 COVO909	4
400	0301522	CONNECTOR, 6MJ-6MB	1
401	0301620	HYD. 6MJ-6MB90	1
402	0303186	HOSE HYD, 82" LG	2
403	0303187	HOSE HYD, 141" LG	1
404	0307022	HYDRAULIC TUBING	2
405	0307023	CLAMP, SADDLE 2 3/4"PIPE	2
406	0400066	SCREW, 1/4-20X3/4 HHC GR5	4
407	0400139	SET SCREW, 3/8-16X1-1/2 SOC	2
408	0400149	SCREW, 3/8-16X5/8 HHC GR5	2
409	0400392	NUT, 3/8-16 LOK	2
410	0400452	LKWASHER, 1/4	4
411	0400480	WASHER, 3/8	2
412	0400482	LKWASHER, 3/8	2
413	0705499	SHAFT, UPPER SPADE	1
414	24773004	CYLINDER, OUTRIGGER EXTEND	1
415	26833001	OUTRIGGER VERTICAL CYLINDER	1
416	26833033	HOSE ASSY, 3/8" X 126" LG.	2
417	26837031	SHAFT CYLINDER UPPER	1
418	26837032	SHAFT CYLINDER LOWER	1
419	26837049	PLATE-COVER	1
420	26838043	OUTRIGGER BEAM WLDMT	1
421	26838082	OUTRIGGER VERTICAL INNER WLDMT	1
422	3012-794003	BAR, SPACER	1

Section I - PARTS (cont'd)

MAXXPRO PK PARTS LIST

ITEM	PART NUMBER	DESCRIPTION	QTY
--	09008690	OUTRIGGER VALVE ASSEMBLY	
423	0301388	90ELL, 8MJ-8MB90	1
424	0301522	CONNECTOR, 6MJ-6MB	17
425	0301620	HYD. CONNECTOR, 6MJ-6MB90	1
426	0302508	ELL 8MJ-8MB 90LL	1
427	0310358	VALVE, SOLENOID 12V OUTRIG CTRL	1
428	0400143	SCREW, 3/8-16X5-1/2 HHC GR5	4
429	0400392	NUT, 3/8-16 LOK	4
430	26833045	HARNESS-OUTRIGGER WIRING	1
--	0904049	KIT, BUMPER BOOM/TAILGATE	
431	0307450	PAD, SLIDE, BUMPER	2
432	0400349	SCREW, 3/8-16X3/4 FHS	4
--	09008768	OUTRIGGER SYS, MAXXPRO PK REAR	
433	0300044	HYD CONNECTOR, 6MJ-8MB	4
434	0302546	CLAMPING UNIT C-PH-10-2	4
435	0302550	C-SB-10-12 3/4 SPLIT	8
436	0302551	C-SN-10 SOCKET-HEAD	4
437	0307843	CYL, HYD TI-S40030032PPBZ	2
438	0400118	SCREW, 5/16-18X3/4 HHC GR5	4
439	0400139	SET SCREW, 3/8-16X1-1/2 SOC	4
440	0400382	NUT, 5/16-18 LOK	2
441	0400392	NUT, 3/8-16 LOK	4
442	07011765	BAR, MAXXPRO HOSE CLAMP	2
443	0713128	SHAFT, LOWER SPADE	2
444	0713129	SHAFT, UPPER SPADE	2
445	0807635	PAD REAR OUTRIGGER PAD	2
446	09008769	LT REAR OUTRIGGER, MAXXPRO PK	1
447	09008770	RT REAR OUTRIGGER, MAXXPRO PK	1
448	0906963	PIN, REAR OUTRIGGER PAD ASSY	2
449	0912051	CENTURY SPADE KIT	1
--	09008769	LT REAR OUTRIGGER, MAXXPRO PK	
450	0300109	SNAP RING, 1.5 5100-150	4
451	0302727	HYD CONNECTOR	2
452	0310145	CYLINDER, OUTRIGGER EXTENDED	1
453	0400059	SCREW, 1/4-20X5/8 HHC GR5	4
454	0400066	SCREW, 1/4-20X3/4 HHC GR5	4
455	0400126	SCREW, 3/8-16X1 HHC GR5	2
456	0400452	LKWASHER, 1/4	8
457	0400482	LKWASHER, 3/8	2
458	0716645	SPACER, BTM	1
459	0719535	PIN, EXTEND CYL (ROD END)	1
460	0719539	COVER, END REAR HORIZ OUTRIG	1
461	0719540	PIN, EXTEND CYL (BASE END)	1
462	0807201	BOOM, 2ND STAGE OUTRIGGER 9055	1
463	0810586	OUTRIGGER WLDMT, 15 SPADE LH	1
464	26837177	COVER PLATE	1

Section I - PARTS (cont'd)

MAXXPRO PK PARTS LIST

ITEM	PART NUMBER	DESCRIPTION	QTY
--	09008770	RT REAR OUTRIGGER, MAXXPRO PK	
465	0300109	SNAP RING, 1.5 5100-150	4
466	0302727	HYD CONNECTOR	2
467	0310145	CYLINDER, OUTRIGGER EXTENDED	1
468	0400059	SCREW, 1/4-20X5/8 HHC GR5	4
469	0400066	SCREW, 1/4-20X3/4 HHC GR5	4
470	0400126	SCREW, 3/8-16X1 HHC GR5	2
471	0400452	LKWASHER, 1/4	8
472	0400482	LKWASHER, 3/8	2
473	0716645	SPACER, BTM	1
474	0719535	PIN, EXTEND CYL (ROD END)	1
475	0719539	COVER, END REAR HORIZ OUTRIG	1
476	0719540	PIN, EXTEND CYL (BASE END)	1
477	0807201	BOOM, 2ND STAGE OUTRIGGER 9055	1
478	0810588	OUTRIGGER WLDMT, 15 SPADE RH	1
479	26837177	COVER PLATE	1
--	0906963	PIN, REAR OUTRIGGER PAD ASSY	
480	0311167	3/16 SWAGE FOR 1/8 COATED CABL	1
481	0311210	CABLE, PIN RETAINER ASSY .125	1
482	0402020	SCREW, 1/4-20X3/4 HHC SS	1
483	0805893	PIN WLDT REAR OUTRIGGER PAD	1
484	HD1259	SAFETY SNAP PIN	1
--	0912051	CENTURY SPADE KIT	
485	0911123	PIN ASSY, SPADE LOCK	2
486	0911124	PIN ASSY, SPADE PIVOT	2
487	0911167	SPADE ASSY, REAR OUTRIGGER	2
--	0911123	PIN ASSY, SPADE LOCK	
488	0302474	PIN, LINCH 3/16	1
489	0312703	CABLE, PIN RETAINER (LONG)	1
490	0400564	PIN, 3/8X1-3/4 SPR	1
491	0400568	PIN, 3/8X3 SPR	1
492	0402020	SCREW, 1/4-20X3/4 HHC SS	1
493	0724633	PIN LOCK SPADE	1
--	0911124	PIN ASSY, SPADE PIVOT	
494	0301861	QUICK PIN,LINCH -B7932 PL 7/16	1
495	0311167	3/16 SWAGE FOR 1/8 COATED CABL	1
496	0312703	CABLE, PIN RETAINER (LONG)	1
497	0400568	PIN, 3/8X3 SPR	2
498	0402020	SCREW, 1/4-20X3/4 HHC SS	1
499	0724634	PIN PIVOT SPADE	1
--	0911167	SPADE ASSY, REAR OUTRIGGER	
500	0400193	SCREW, 1/2-13X1-1/2 FHS	4
501	0400416	NUT, 1/2-13 LOK GR8	4
502	0724616	PLATE BLADE SPADE	1
503	0810034	SPADE, REAR OUTRIGGERS	1

Section I - PARTS (cont'd)

MAXXPRO PK PARTS LIST

ITEM	PART NUMBER	DESCRIPTION	QTY
--	26839052	RESERVOIR ASSY, MAXXPRO	
504	0300593	2BL STREET	1
505	0301081	CAP PLUG PLASTIC FOR 2" ID THR	1
506	0301541	SIGHT GAGE, TYPE SVM-24	1
507	0302227	CENTER BONDED MOUNT	4
508	0302228	SPECIAL WASHER (LORD	4
509	0302367	PIPE NIPPLE, 2 X 4	1
510	0303155	PIPE PLUG 3/4 NPT MAGNETIC	1
511	0306921	PIPE PLUG, 2" SQ HD	1
512	0310296	FILTR HEAD ASSY W' ELEMENT	1
513	0310429	TANK COVER, FILTER & FILLER	1
514	0310430	TANK COVER & FILTER	1
515	0400121	SCREW, 3/8-16X3/4 HHC GR5	24
516	0400146	SCREW, 3/8-16X2-1/4 HHC GR5	4
517	0400391	NUT, 3/8-16 HEX PL	4
518	0400482	LKWASHER, 3/8	24
519	0807412	HYDRAULIC TANK WELDMENT, ROT	1
520	HC0634	STRAINER/FILTER	1
--	26839065	HOUSE LOCK ASSY-MAXXPRO	
521	0200052	CLEVIS LINK	1
522	0301577	1/4 OD PLASTIC AIRLINE, BLACK	25
523	0302231	ADJ CLEVIS 3/8" AC-218	1
524	0306698	AIR CYLINDER-1.5BORE/1.71STROK	1
525	0307612	NYLON SPACER,5/16 THK X 5/16ID	6
526	0400066	SCREW, 1/4-20X3/4 HHC GR5	4
527	0400388	NUT, 3/8-24 HEX	2
528	0400401	NUT, 7/16-20 JAM PL	1
529	0400452	LKWASHER, 1/4	4
530	0400540	PIN, 3/32X1 COT	1
531	0400543	PIN, 1/8X3/4 COT SS	4
532	0400663	PIN, 1/4X1-3/4 CLEVIS	1
533	0400664	PIN, 5/16X1-3/4 CLEVIS	2
534	0400666	PIN, 5/16X1-3/8 CLEVIS SS	2
535	0402117	WASHER, 5/16 SS	8
536	0705698	ALLTHREAD, CONNECTOR	1
537	0712230	BOSS, TURNTABLE LOCK	2
538	0718297	BAR LINK, PIN LOCK	4
539	0718298	BAR LEVER, PIN LOCK	1
540	0806994	HOUSE LOCK INDICATOR WELDMENT	2
541	26838049	HOUSE LOCK COVER	1
542	9010024	BRASS CONNECTOR, 1/4T-1/8MP	2
--	09007072	WRECKER FRAME ASSY MAX PK	
543	0300188	CLAMP,1-1/2" HOSE	1
544	0301471	HOSE HYD, 30"	5
545	0301790	HOSE HYD, 15"	2
546	0400066	SCREW, 1/4-20X3/4 HHC GR5	4
547	0400180	SCREW, 1/2-13X6 HHC GR5	1
548	0400392	NUT, 3/8-16 LOK	5

Section I - PARTS (cont'd)

MAXXPRO PK PARTS LIST

ITEM	PART NUMBER	DESCRIPTION	QTY
--	09007072	WRECKER FRAME ASSY MAX PK (cont'd)	
549	0400408	NUT, 1/2-13 LOK	1
550	0400451	WASHER, 1/4	4
551	0400480	WASHER, 3/8	8
552	0709331	PIN, RETAIN HOUSE LOCK	1
553	0719162	PLATE, ACCESS COVER	2
554	0722103	SHAFT, BOOM PIVOT	1
555	08006788	WRECKER FRAME WELDMENT	1
556	09008691	LIFT CYLINDER ASSEMBLY	1
557	09008692	WINCH ASSEMBLY	1
558	0910238	SWING LIMIT VALVE ASSY, 1140	1
559	0910547	SWING DRIVE ASSEMBLY	1
560	26833003	OVERLOAD SYSTEM	1
561	26833076	HARNESS-GREER POWER MAIN	1
562	26839015	HYDRAULIC SWIVEL PLATE ASSEMBL	1
563	26839021	AIR SYSTEM KIT	1
564	523-1405300	TERMINAL,14GA 10 RING/SHRINK	2
--	09008691	LIFT CYLINDER ASSEMBLY	
565	0300113	GREASE FITTING, 1/4-28 STR	4
566	0300644	HOSE CLAMP,8 68452/I	2
567	0300787	HOSE HYD, 53" LG	4
568	03009370	VALVE, FLOW LIMITER (2 GPM)	2
569	0301388	90ELL, 8MJ-8MB90	4
570	0301470	90ELB 6MJ-8MB90	2
571	0301471	HOSE HYD, 30"	2
572	0301664	HOSE HYD, 64"	4
573	0301995	ADAPTER STR	2
574	0302052	TEE, 8MJ-8FJX-8MJ RUN	2
575	0302275	CONNECTOR, 8MJ-6MB W/STEP	4
576	0302276	ELB 90 DEG	2
577	0302568	HYD TUBING	2
578	0302574	BULKHEAD RUN TEE	2
579	0302575	BULKHEAD RUN TEE	2
580	0302796	TEE	4
581	0302926	HOSE HYD, 29" LONG	2
582	0306747	CYL, BOOM LIFT	2
583	0307107	VALVE, HOLDING 4000 PSI SAE	2
584	0307614	TUBING-HYD ASSY 1/2" DIA 7035	2
585	0400078	SCREW, 1/4-20X2 HHC GR5	4
586	0400206	SCREW, 1/2-13X5 HHC GR5	2
587	0400367	NUT, 1/4-20 LOK	4
588	0400408	NUT, 1/2-13 LOK	2
589	0703001	BRKT, MTG CHECK VALVE	2
590	0708094	PIN, LIFT CYL	2
591	24773015	ADAPTER 8MB-8FJX	2
--	09008692	WINCH ASSEMBLY	
592	0301388	90ELL, 8MJ-8MB90	2
593	0301577	1/4 OD PLASTIC AIRLINE, BLACK	35

Section I - PARTS (cont'd)

MAXXPRO PK PARTS LIST

ITEM	PART NUMBER	DESCRIPTION	QTY
--	09008692	WINCH ASSEMBLY (cont'd)	
594	0302495	CONVOLUTED LOOM 1/4	35
595	0302508	ELL 8MJ-8MB 90LL	2
596	0310581	HOSE ASSY- 96" 8 FJX-10FJX90	4
597	0311193	6" CABLE TIE	20
598	0400262	SCREW, 5/8-11X2-1/2 HHC GR8	16
599	0400307	SCREW, 7/8-9X4 HHC GR8	16
600	0400437	NUT, 7/8-9 LOK GR8	16
601	0400473	WASHER, 7/8 PL GR8	16
602	0722104	ANGLE, WINCH MOUNTING	4
603	9010520	ELBOW 1/4T-1/4NPT	2
604	9048248	WINCH DP 2-SPD 25K NARROW DRUM	2
--	0910238	SWING LIMIT VALVE ASSY, 1140	
605	0300387	PLUG, 8MB	2
606	0301388	90ELL, 8MJ-8MB90	4
607	0302052	TEE, 8MJ-8FJX-8MJ RUN	2
608	0310336	VALVE, DIVERTER	2
609	0310565	SPACER, 3/8ID X 3/4OD X 3/16	2
610	0400132	SCREW, 3/8-16X1-1/2 HHC GR5	2
611	0400367	NUT, 1/4-20 LOK	6
612	0400392	NUT, 3/8-16 LOK	2
613	0402046	SCREW, 3/8-16X2 HHC SS	1
614	0402120	WASHER, 3/8 SS	3
615	0402122	NUT, 3/8-16 HEX SS	1
616	0402123	NUT, 3/8-16 LOK SS	1
617	07000402	ANGLE, SWING LIMIT MOUNTING	1
618	0721687	PLATE, SWING LIMIT CAM	1
619	561-0380002	BEARING, BRONZE 3/8 IDX1/2 OD	1
620	9041010	1/4 NC X 2 1/4 HHCS GR8	6
--	0910547	SWING DRIVE ASSEMBLY	
621	0300041	CONNECTOR, 8MJ-8MB	2
622	0301376	CONNECTOR, 8MJ-10MB	4
623	0301790	HOSE HYD, 15"	2
624	0302052	TEE, 8MJ-8FJX-8MJ RUN	2
625	0302695	ADAPTER, 6MJ-4MB	1
626	0303994	HOSE ASSY- 22"	1
627	0307651	PLANETARY DRIVE W/ BRAKE 105E	1
628	0400078	SCREW, 1/4-20X2 HHC GR5	2
629	0400238	SCREW, 1/2-13X1-1/2 SHC GR8	2
630	0400289	SCREW, 3/4-10X3 HHC GR8	4
631	0400367	NUT, 1/4-20 LOK	2
632	0400464	LKWASHER, 5/16	4
633	0400489	WASHER, 3/4 SAE GR8	4
634	0400491	LKWASHER, 1/2	2
635	0400511	LKWASHER, 3/4	4
636	0400997	SCREW, 5/16-18X3-1/2 HHC GR5	4
637	24773023	VALVE, CROSS-OVER RELIEF	1
638	512-080001	LOAD CONTROL VALVE DIR MOTOR M	1

Section I - PARTS (cont'd)

MAXXPRO PK PARTS LIST

ITEM	PART NUMBER	DESCRIPTION	QTY
--	0910547	SWING DRIVE ASSEMBLY (cont'd)	
639	515-000101	HYDRAULIC MOTOR TC SERIES	1
640	HC1291	4MJ-4MB STR THR	1
--	26839015	HYDRAULIC SWIVEL PLATE ASSEMBLY	
641	0310371	SWIVEL, INLINE - 8MJ BULKHEAD	7
642	0310372	SWIVEL, INLINE - 10MJ BULKHEAD	4
643	0400181	SCREW, 1/2-13X1-1/2 HHC GR5	4
644	0400408	NUT, 1/2-13 LOK	4
645	0400492	WASHER, 1/2	4
646	0724503	PLATE-HYD SWIVEL MTG	1
--	26839021	AIR SYSTEM KIT	
647	0301577	1/4 OD PLASTIC AIRLINE, BLACK	5
648	0302495	CONVOLUTED LOOM 1/4	5
649	0303365	BRACKET, MOUNTING - AIR PREP	1
650	0307513	CABLE WIRE 2/18GA SOOW	15
651	0310381	ALARM, SWING (ECCO DT500)	1
652	0311206	2 VALVE AIR BANK CC-DRESSED	1
653	0311385	3/16 WHITE NYLON CLAMP	5
654	0400009	SCREW, 8-32X1-1/2 PRH SS	2
655	0400014	SCREW, 8-32X1 PRH	5
656	0400066	SCREW, 1/4-20X3/4 HHC GR5	8
657	0400367	NUT, 1/4-20 LOK	8
658	0402002	NUT, 8-32 LOK EXT SS	6
659	26837061	PLATE, COMPUTER SUPPORT	1
660	9010520	ELBOW 1/4T-1/4NPT	2
661	9011071	BRASS TEE 1/4T-1/4T-1/4T	1
662	HA0131	REGULATOR , AIR	1
663	HA0132	GAUGE 0-160 PSI	1
--	09007730	SPARE TIRE STOWAGE ASSY	
664	03009733	CABLE ASSEMBLY, TIRE CRANE	1
665	09007731	TIRE LIFT CRANE ASSEMBLY	1
666	09007736	REAR TIRE STOW BRKT ASSY	1
667	09007738	FRONT TIRE STOW BRKT ASSY	1
--	09007731	TIRE LIFT CRANE ASSEMBLY	
668	0300113	GREASE FITTING, 1/4-28 STR	2
669	03009731	WASHER, TIRE CRANE PIVOT	1
670	0303097	THRUST WASHER, 1/8 THK	1
671	0313329	7/8X6 1/2 LG HITCH PIN	1
672	0400408	NUT, 1/2-13 LOK	8
673	0400491	LKWASHER, 1/2	3
674	0400497	WASHER, 1/2 GR8	13
675	07010708	PLATE, TIRE CRANE PIVOT CAP	1
676	08007229	TIRE CRANE SUPPORT WLMT	1
677	08007230	TIRE CRANE PIVOT HEAD WLMT	1
678	09007732	TIRE LIFT CRANE BOOM ASSY	1
679	09007733	TIRE LIFT CRANE HEAD ASSY	1

Section I - PARTS (cont'd)

MAXXPRO PK PARTS LIST

ITEM	PART NUMBER	DESCRIPTION	QTY
--	09007731	TIRE LIFT CRANE ASSEMBLY (cont'd)	
680	09007734	TIRE LIFT CRANE WINCH ASSY	1
68	9041403	1/2 NC X 1 1/2 HHCS PL GR8	3
68	9041404	1/2 NC X 1 3/4 HHCS PL GR8	8
--	09007732	TIRE LIFT CRANE BOOM ASSY	
68	03009736	HITCH PIN, 3/4 DIA X 4-1/2 LG	1
68	08007231	TIRE CRANE OUTER BOOM WLMT	1
68	08007232	TIRE CRANE INNER BOOM WLMT	1
--	09007733	TIRE LIFT CRANE HEAD ASSY	
68	03009734	SHEAVE, TIRE CRANE	1
68	03009736	HITCH PIN, 3/4 DIA X 4-1/2 LG	2
68	0400277	BOLT, 5/8-11 SSB	1
68	0400421	NUT, 5/8-11 LOK	1
690	0400512	WASHER, 3/4	2
69	08007233	TIRE CRANE BOOM HEAD WLMT	1
--	09007734	TIRE LIFT CRANE WINCH ASSY	
69	03009732	WINCH, TIRE CRANE	1
69	0313329	7/8X6 1/2 LG HITCH PIN	1
69	0400141	SCREW, 3/8-16X7/8 HHC GR5	4
69	0400392	NUT, 3/8-16 LOK	4
69	08007234	TIRE CRANE WINCH MTG WLMT	1
--	09007736	REAR TIRE STOW BRKT ASSY	
69	0400334	SCREW, 1-8X3-1/2 HHC GR8	5
69	0400343	SCREW, 1/2-13X2 HHC GR8	4
69	0400408	NUT, 1/2-13 LOK	8
700	0400426	NUT, 5/8-11 LOK GR8	1
70	0400497	WASHER, 1/2 GR8	16
70	0400503	WASHER, 5/8 GR8	2
70	0400522	WASHER, 1-1/16X2X1/8	5
70	08007235	REAR TIRE STOW BRACKET WLMT	1
70	08007628	REAR TIRE ADJUSTABLE MOUNT	1
70	09007735	REAR TIRE LOCK ASSY	1
70	9041404	1/2 NC X 1 3/4 HHCS PL GR8	4
70	9044409	SCREW, 5/8-11X2-1/4 HHC GR8 YZ	1
--	09007735	REAR TIRE LOCK ASSY	
709	0400430	NUT, 3/4-10 LOK	1
710	08007237	REAR TIRE STOW LOCK WLMT	1
711	08007239	REAR TIRE STOW WINGNUT WLMT	1
--	09007738	FRONT TIRE STOW BRKT ASSY	
712	0400334	SCREW, 1-8X3-1/2 HHC GR8	5
713	0400343	SCREW, 1/2-13X2 HHC GR8	4
714	0400408	NUT, 1/2-13 LOK	8
715	0400426	NUT, 5/8-11 LOK GR8	1
716	0400497	WASHER, 1/2 GR8	16

Section I - PARTS (cont'd)

MAXXPRO PK PARTS LIST

ITEM	PART NUMBER	DESCRIPTION	QTY
--	09007738	FRONT TIRE STOW BRKT ASSY (cont'd)	
717	0400503	WASHER, 5/8 GR8	2
718	0400522	WASHER, 1-1/16X2X1/8	5
719	08007236	FRONT TIRE STOW BRACKET WLMT	1
720	08007629	FRONT TIRE ADJUSTABLE MOUNT	1
721	09007737	FRONT TIRE LOCK ASSY	1
722	9041404	1/2 NC X 1 3/4 HHCS PL GR8	4
723	9044409	SCREW, 5/8-11X2-1/4 HHC GR8 YZ	1
--	09007737	FRONT TIRE LOCK ASSY	
724	0400430	NUT, 3/4-10 LOK	1
725	08007238	FRONT TIRE STOW LOCK WLMT	1
726	08007240	FRONT TIRE STOW WINGNUT WLMT	1
--	0902553	KIT-D RING LARGE	
727	0400107	SCREW, 5/16-18X2-1/2 HHC GR5	2
728	0400776	NUT, 5/16-18 JAM LOK	2
729	0719585	D-RING, TOWING	2
730	GA0215	PIN-"D" RING	2
--	26839016	CONTROL VALVE ASSEMBLY	
731	0310148	BOOT, CONTROL HANDLE	10
732	0400109	SCREW, 5/16-18X1 HHC GR5	4
733	0400382	NUT, 5/16-18 LOK	4
734	26833070	OMNEX 11 FXN KIT LESS HARNESS	1
735	26839063	CONTROL VALVE SUBASSY	1
--	26839063	CONTROL VALVE SUBASSY	
736	0301445	EXTENDED	6
737	0301522	CONN. 6MJ-6MB	1
738	0301545	ELB 12MJ-12MB 90	1
739	0301620	HYD. 6MJ-6MB90	2
740	0301767	HOSE BARB 1FJIX	1
741	0301780	CONNECTOR 8MJ-12MB	1
742	0302056	HOSE HYD, 183"	1
743	0302065	6-FJ CAP	1
744	0302083	16 MJ-12 MB 90 ELBOW	1
745	0302169	O-RING CONNECTOR	1
746	0302170	SWV 90 DEG BENT	1
747	0302532	HOSE HYD, 183"	2
748	0302585	HOSE HYD, 54"	7
749	0302826	TEE	1
750	0302828	CONNECTOR	6
751	0302829	ADAPTOR	1
752	0303176	ADAPTER, 10MB-8FP	14
753	0310289	LONG ADAPTER 6MJ-8MBLL	8
754	0310398	HANDLE, DIVERTER VALVE	10
755	24773017	HOSE ASSEMBLY 140"LG	2
756	24773018	HOSE ASSEMBLY 140"LG	2
757	24773026	REMOTE CONTROL, MR-30	1

Section I - PARTS (cont'd)

MAXXPRO PK PARTS LIST

ITEM	PART NUMBER	DESCRIPTION	QTY
--	26839063	CONTROL VALVE SUBASSY (cont'd)	
758	25353001	VALVE-CONTROL	1
759	26833069	OMNEX REMOTE HARNESS	1
760	26833079	HOSE 92"LG-8FJX-10M3K-10FJ90S	1
761	26833080	HOSE 92"LG-8FJX-10M3K-10FJ90L	1
762	26833082	HOSE 60"LG-6FJX-6M3K-6FJ90S	1
763	AWS-6821-A	HOSE ASSY-PRESSURE	7
--	26839038	U/L MAST ASSY-MAXXPRO	
764	0300110	SNAP RING, 1" 5100-100	2
765	0300113	GREASE FITTING, 1/4-28 STR	6
766	0300329	SNAP RING, EXTERNAL 2	4
767	0300644	HOSE CLAMP,8 68452/I	1
768	0301620	HYD. 6MJ-6MB90	6
769	0301895	GREASE FITTING, 1/8 STR PTF	5
770	0301924	SLIDE PAD-BOOM-SIDE	2
771	0302000	HOSE HYD, 24"	1
772	0302813	HOSE HYD, 108" LG	1
773	0303892	SLIDE PAD-BOOM-SIDE	1
774	0306746	CYL HYD, FOLD	1
775	0307107	VALVE, HOLDING 4000 PSI SAE	1
776	0307351	SLIDE-PAD SDU/2 U/L	2
777	0307417	TUBE ASSY, HYD 3/8 ODx.035Wx3"	1
778	0307980	ELL, 90 UNION MALE 1869X6X2 WH	2
779	0310477	CYL HYD-5.5 BORE/23.38 STROKE	1
780	0310478	CYLINDER, HYD 6 BORE X 9 STR	1
781	0400002	SCREW, 4X1/4 DRV	4
782	0400078	SCREW, 1/4-20X2 HHC GR5	2
783	0400122	SCREW, 3/8-16X1-1/4 HHC GR5	1
784	0400126	SCREW, 3/8-16X1 HHC GR5	2
785	0400141	SCREW, 3/8-16X7/8 HHC GR5	4
786	0400219	SCREW, 1/2-13X4-1/2 HHC GR5	1
787	0400237	SCREW, 1/2-13X4 HHC GR5	4
788	0400248	SCREW, 5/8-11X1 HHC GR8	4
789	0400367	NUT, 1/4-20 LOK	2
790	0400398	NUT, 3/8-16 LOK JAM	1
791	0400408	NUT, 1/2-13 LOK	5
792	0400451	WASHER, 1/4	2
793	0400480	WASHER, 3/8	1
794	0400482	LKWASHER, 3/8	7
795	0400497	WASHER, 1/2 GR8	4
796	0400508	LKWASHER, 5/8	4
797	0400557	PIN, 1/2X1-1/4 SPR	3
798	0703001	BRKT, MTG CHECK VALVE	1
799	0703277	PAD, SLIDER	1
800	0703484	PULLEY, HOSE TENSIONER	2
801	0703488	WASHER, HOSE TENS PULLEY	4
802	0703734	SHIM, SIDE PLATE OUTER BOOM	2
803	0709242	PIN, MAIN PIVOT	1
804	0714240	PIN, FOLD CYL	1

Section I - PARTS (cont'd)

MAXXPRO PK PARTS LIST

ITEM	PART NUMBER	DESCRIPTION	QTY
--	26839038	U/L MAST ASSY-MAXXPRO (cont'd)	
805	0718912	SHIM, VERTICAL BOOM GUIDE	2
806	0722413	PIN, LIFT CYLINDER	1
807	0722414	PIN, TILT CYLINDER BASE	1
808	0722415	PIN, TILT CYLINDER ROD	1
809	0723109	SPACER-SDU PIVOT	2
810	0724401	PIN-HHU/LDU U/L MAIN	1
811	0804035	SUPPORT-LEFT PIVOT WLDMT	1
812	0804036	SUPPORT-RIGHT PIVOT WLDMT	1
813	0806756	PIN WELD'T, FOLD CYLINDER	1
814	0807501	TILT CYL MTG BRKT	1
815	09008693	LDU GREASE HOSE KIT	1
816	24779028	SWIVEL ASSEMBLY	1
817	26833081	HOSE 122"LG-6FJX-6M3K-6JFX	1
818	26838019	CROSSBAR CENTERING LUG	2
819	26838030	MAST-MAXXPRO OUTER WELDMENT	1
820	26838031	MAST, MAXPRO INNER WELD'T	1
821	26839039	U/L BOOM ASSY	1
822	26839041	PIN ASSY-FOLD STOP	1
823	26839074	CROSSBAR ASSY, ARTICULATING	1
824	805040011	VERTICAL BOOM GUIDE PAD	2
825	9043973	5/16-18X1 1/2 FL.HD.SOC.	8
826	9044434	3/8-16X1 NC FLAT SOCKET HD CAP	4
827	945030004	UPPER WEAR PAD-RECOVERY	2
828	HD0152	SNAP RING, 3" INTERNAL	2
--	09008693	LDU GREASE HOSE KIT	
829	0301895	GREASE FITTING, 1/8 STR PTF	4
830	0311312	WIRE BRAID GREASE HOSE-36"	2
831	0311313	WIRE BRAID GREASE HOSE-48"	2
832	0311344	ELBOW, 4MJ-2MP90	8
833	9012552	BULKHEAD ADAPTER 1/8M-1/8F NPT	4
--	24779028	SWIVEL ASSEMBLY	
834	0300113	GREASE FITTING, 1/4-28 STR	1
835	0400133	SCREW, 3/8-16X3 HHC GR5	1
836	0400150	SCREW, 3/8-16X2-1/2 HHC GR5	2
837	0400392	NUT, 3/8-16 LOK	3
838	0716134	SHAFT, SHEAVE	1
839	0803313	GUIDE-CABLE WELDMENT	1
840	0804315	SWIVEL- BOOM END WLMT	1
841	24773024	SHEAVE, 10" W/ GROOVE FOR 7/8	1
842	24777178	GUIDE, BOTTOM CABLE	2
--	26839039	U/L BOOM ASSY	
843	0300113	GREASE FITTING, 1/4-28 STR	4
844	0301470	90ELB 6MJ-8MB90	1
845	0301601	CLAMP, HOSE, INSUL, 5/8	4
846	0301620	HYD. 6MJ-6MB90	1
847	0302538	BUSHING, U/L	2

Section I - PARTS (cont'd)

MAXXPRO PK PARTS LIST

ITEM	PART NUMBER	DESCRIPTION	QTY
--	26839038	U/L BOOM ASSY (cont'd)	
848	0302561	SLIDE PAD	4
849	0302726	GREASE FITTING, 1/4-28 45	2
850	0303017	CONNECTOR	1
851	0303187	HOSE HYD, 141" LG	2
852	0306825	SLIDE PAD, 3/4 X 1 X 4	2
853	0310707	CYLINDER, SPADE 4BOREX23STROKE	1
854	0400139	SET SCREW, 3/8-16X1-1/2 SOC	2
855	0400217	SCREW, 1/2-20X1 HHC	4
856	0400392	NUT, 3/8-16 LOK	4
857	0400410	NUT, 1/2-13 JAM	4
858	0400467	WASHER, 1/2 SAE PL	4
859	0400491	LKWASHER, 1/2	4
860	0400989	SET SCREW, 1/2-13X1 SOC	4
861	0717262	SHIM, SLIDE PAD	2
862	26837139	PIN EXTEND CYLINDER	1
863	26837140	PIN EXTEND CYLINDER	1
864	26837155	PLATE, STOP	1
865	26838027	OUTER U/L BOOM WLDMT	1
866	26839069	U/L INNER BOOM ASSY	1
--	26839069	U/L INNER BOOM ASSY	
867	26833108	BUSHING	1
868	26838057	INNER UL BOOM WELDMENT	1
--	26839041	PIN ASSY-FOLD STOP	
869	0301861	QUICK PIN,LINCH -B7932 PL 7/16	1
870	0307788	CABLE, PIN RETAINER SU-ASSY	1
871	0307789	SWAGE, CABLE LOOP (1/8 CABLE)	1
872	0400044	SCREW, 10X1/2 DRV	1
873	0400554	PIN, 3/8X1 SPR	1
874	26837135	PIN FOLD STOP	1
--	26839074	CROSSBAR ASSY, ARTICULATING	
875	0301895	GREASE FITTING, 1/8 STR PTF	1
876	0310911	TIMBREN SPRING	2
877	0310912	CUP, TIMBREN SPRING	2
878	0400122	SCREW, 3/8-16X1-1/4 HHC GR5	2
879	0400540	PIN, 3/32X1 COT	4
880	0400891	LKWASHER, 1/2 NL	3
881	0400920	PIN, 1/2X1-1/2 DWL	1
882	0400984	SCREW, 3/8-16X2-1/2 SHC	2
883	25857017	PLATE, SPACER RING	2
884	25857019	PIN, STOP PIVOT	2
885	26833109	THRUST WASHER, 1/2" THICK	1
886	26833110	THRUST WASHER 1/8" THICK	1
887	26837222	PLATE-CROSSBAR KEEPER	1
888	26837230	PLATE BOLT LOCKING	1
889	26837286	COLLAR TOP	1
890	26837287	COLLAR BOTTOM	1

Section I - PARTS (cont'd)

MAXXPRO PK PARTS LIST

ITEM	PART NUMBER	DESCRIPTION	QTY
--	26839074	CROSSBAR ASSY, ARTICULATING (cont'd)	
891	26839071	KIT-ARTIC C/B AND YOKE	1
892	9041404	1/2 NC X 1 3/4 HHCS PL GR8	3
893	DE1381	1/2 WASHER SAE 17/32 ID	4
--	26839071	KIT, ARTIC C/B AND YOKE	
894	26838050	CROSSBAR PIVOT PIN WELDMENT	1
895	26838061	STOP WELDMENT	2
896	26838066	YOKE WELDMENT ARTICULATING XBA	1
897	26839070	C'BAR ASSY-ARTIC XBAR	1
--	26839070	CROSSBAR ASSY, ARTIC XBAR	
898	18563003	BUSHING, CROSSBAR PIVOT	1
899	26838058	CROSSBAR WELDMENT 5 X 5	1
--	0910793	KIT-WINCH CABLE STOW	
900	0400133	SCREW, 3/8-16X3 HHC GR5	2
901	0400177	SCREW, 1/2-13X1-1/4 HHC GR5	4
902	0400392	NUT, 3/8-16 LOK	2
903	0400408	NUT, 1/2-13 LOK	4
904	0807844	CABLE TIEBACK WELDMENT	2
905	9048800	5/8 WELDLESS CHAIN LINK	2
906	945030007	CABLE TIE BACK SPRING-1	2
--	26839014	BOOM ASSEMBLY	
907	0300113	GREASE FITTING, 1/4-28 STR	8
908	0301895	GREASE FITTING, 1/8 STR PTF	1
909	0301949	3/8" OD AIRLINE, SYN FLEX HOSE	16
910	0303490	PAD-WEAR 1/2" X 1" X 4"	2
911	0307514	CONNECTOR, DOME-CAP STRAIN REL	3
912	0400059	SCREW, 1/4-20X5/8 HHC GR5	2
913	0400122	SCREW, 3/8-16X1-1/4 HHC GR5	6
914	0400126	SCREW, 3/8-16X1 HHC GR5	2
915	0400132	SCREW, 3/8-16X1-1/2 HHC GR5	2
916	0400133	SCREW, 3/8-16X3 HHC GR5	2
917	0400204	SET SCREW, 1/2-13X3/4 SOC	4
918	0400349	SCREW, 3/8-16X3/4 FHS	2
919	0400392	NUT, 3/8-16 LOK	6
920	0400410	NUT, 1/2-13 JAM	4
921	0400452	LKWASHER, 1/4	2
922	0400480	WASHER, 3/8	4
923	0400482	LKWASHER, 3/8	2
924	0402011	SCREW, 10-32X5/8 PRH SS	2
925	0402016	NUT, 10-32 LOK EXT	2
926	0706042	WING, CABLE LONG 1040&1040B	1
927	0706043	WING, CABLE MED 1040&1040B	1
928	0719585	D-RING, TOWING	2
929	0722957	PIN	2
930	0906490	KIT, EXT. CYLINDER (7035)	1
931	26837175	CONDUIT BOX-MODIFIED	1

Section I - PARTS (cont'd)

MAXXPRO PK PARTS LIST

ITEM	PART NUMBER	DESCRIPTION	QTY
--	26839014	BOOM ASSEMBLY (cont'd)	
932	26838011	OUTER BOOM WELDMENT	1
933	26838012	INNER BOOM WELDMENT	1
934	26839020	SWIVEL BOOM ASSEMBLY	2
935	3012-793001	PLATE, LUBE MTG.	1
936	9012549	CONNECTOR, MALE 3/8TUBEX1	1
937	9012552	BULKHEAD ADAPTER 1/8M-1/8F NPT	1
938	9012584	ELBOW-1/4NPT X 3/8TUBE 9	1
939	930100002	LOWER WEAR PAD-RECOVERY	1
940	945030001	PAD RETAINING PLATE-UPPE	1
941	945030004	UPPER WEAR PAD-RECOVERY	1
--	0906490	KIT, EXT. CYLINDER (7035)	
942	0301529	HOSE HYD, 58	2
943	0302276	ELB 90 DEG	2
944	0306743	CYL, BOOM EXTEND	1
945	0400392	NUT, 3/8-16 LOK	2
946	0400482	LKWASHER, 3/8	2
947	0400771	SCREW, 3/8-16X1-1/2 HHC GR8	2
948	0715951	PIN, EXT CYL BASE	1
949	0715952	PIN, EXT CYL ROD	1
950	0810012	SPIDER CLAMP	1
951	HD0151	SNAP RING, 2" INTERNAL	4
--	26839020	SWIVEL BOOM ASSEMBLY	
952	0300113	GREASE FITTING, 1/4-28 STR	1
953	0303441	SHEAVE-10" DIA X 1.5 BORE	1
954	0400133	SCREW, 3/8-16X3 HHC GR5	1
955	0400150	SCREW, 3/8-16X2-1/2 HHC GR5	2
956	0400392	NUT, 3/8-16 LOK	3
957	0400554	PIN, 3/8X1 SPR	3
958	0700801	GUIDE, BTM CABLE	2
959	0716134	SHAFT, SHEAVE	1
960	26838009	BOOM END SWIVEL WELDMENT	1
961	26838010	CABLE GUIDE WELDMENT	1
--	26839050	CABLE TIE BACK ASSY	
962	0301691	OBLONG MASTER LINK	1
963	0400130	SCREW, 3/8-16X3-1/2 HHC GR5	1
964	0400181	SCREW, 1/2-13X1-1/2 HHC GR5	1
965	0400392	NUT, 3/8-16 LOK	1
966	0400467	WASHER, 1/2 SAE PL	2
967	0400900	NUT, 1/2-13 LOK JAM	1
968	0723811	CABLE TIEBACK TUBE	1
969	26837178	CHANNEL-CABLE TIE BACK	1
970	945030007	CABLE TIE BACK SPRING-1	1
--	09007074	SUBKIT, PANEL GAUGE	
971	03005423	HARNESS, MRVPK ESTP-PTO-THRRTL	1
972	03008832	HARNESS, PIGTAIL ESTOP SW, DTP	1

Section I - PARTS (cont'd)

MAXXPRO PK PARTS LIST

ITEM	PART NUMBER	DESCRIPTION	QTY
--	09007074	SUBKIT, PANEL GAUGE (cont'd)	
973	0306537	EMERGENCY SWITCH (RAMSEY)	1
974	0311520	LIGHT 3/4"RED SGL LED W/ GRMT	1
975	0400021	SCREW, 8-32X1/2 PRH SS	3
976	0400351	NUT, 8-32 HEX	3
977	26833054	HARNESS-JUMPER-RED	1
978	26833055	HARNESS-JUMPER-WHITE	1
979	26833073	HARNESS-POWER GROUND EXT	2
980	26833074	HARNESS-HOUSE LOCK/FREESPOOL	1
981	26837174	PANEL-GAUGE	1
982	9024041	SWITCH-ROCKER, LIGHTED 12V	9
--	26839027	EXTERNAL LIGHTING KIT	
983	124002725	KIT, TAILBRD WK LAMP OVAL HELLA	2
984	26839051	LAMP KIT, MAXXPRO XENON	1
985	26839068	MAXXPRO SWIVEL WORK LAMP KIT	1
--	124002725	KIT, TAILBRD WK LAMP OVAL HELLA	
986	0300132	14" UV BLK CABLE TIE	2
987	0307748	LAMP, OVAL 100 HALOGEN - HELLA	2
988	0307769	DT PIGTAIL, HELLA WORK LAMP	2
989	523-1402300	TERMINAL, 14GA BUTT/SHRINK BL	4
990	523-1407300	TERMINAL, 14GA MALE BULLET+S&A	4
--	26839051	LAMP KIT, MAXXPRO XENON	
991	0302495	CONVOLUTED LOOM 1/4	4
992	0307261	BUSHING, PLASTIC SNAP-IN	4
993	0307750	LAMP, OVAL 100 XENON, HELLA	2
994	0400381	NUT, 5/16-18 HEX	2
995	26833056	HARNESS-GREER TOOLBOX	2
--	26839068	MAXXPRO SWIVEL WORK LAMP KIT	
996	0310453	LAMP, OVAL 100 SWIVEL - HELLA	2
997	0400066	SCREW, 1/4-20X3/4 HHC GR5	8
998	0400367	NUT, 1/4-20 LOK	8
999	0400451	WASHER, 1/4	8
--	26839042	BODY MOUNTING KIT	
1000	0400491	LKWASHER, 1/2	34
1001	0400497	WASHER, 1/2 GR8	12
1002	0400498	WASHER, 1/2X2X0.125	28
1003	9041402	1/2 NC X 1 1/4 HHCS PLT GR8	12
1004	9041403	1/2 NC X 1 1/2 HHCS PL GR8	28
1005	9402970	TOOLBOX MTG. PAD	14
1006	942480011	PLATE, SLOT-SS REAR WASHER TBOX	20
--	26839048	SUBKIT-PANEL, CONTROL	
1007	0306540	ROTARY SELECT SWITCH OPERATOR	6
1008	0311192	CABLE TIE ANCHOR MOUNT	3
1009	0311200	6" JUMPER WIRE-TWISTERS	3

Section I - PARTS (cont'd)

MAXXPRO PK PARTS LIST

ITEM	PART NUMBER	DESCRIPTION	QTY
--	26839048	SUBKIT-PANEL, CONTROL (cont'd)	
1010	0311201	2.5" JUMPER WIRE-TWISTERS	7
1011	0311204	24" JUMPER WIRE-TWISTERS	2
1012	0400021	SCREW, 8-32X1/2 PRH SS	3
1013	0400351	NUT, 8-32 HEX	3
1014	25358007	CONTROL PANEL WLMT	1
1015	26833075	HARNESS-TWISTER PIGTAIL	1
--	50002958	LT BODY ASSY, MAXXPRO PK	
1016	03005838	5/8" DOOR SEAL	42
1017	03008990	BODY, LT MAXXPRO PK	1
1018	0301577	1/4 OD PLASTIC AIRLINE, BLACK	5
1019	0302495	CONVOLUTED LOOM 1/4	5
1020	0303290	INSULATED CLAMP 2 1/2	1
1021	0303677	BACK UP ALARM, 12 / 24 VOLT	1
1022	0307181	CROSS-OVER HARNESS "A" CIRCUIT	1
1023	0311205	3 VALVE AIR BANK COC-DRESSED	1
1024	0400021	SCREW, 8-32X1/2 PRH SS	2
1025	0400062	SCREW, 1/4-20X3/4 THC	7
1026	0400066	SCREW, 1/4-20X3/4 HHC GR5	4
1027	0400454	WASHER, 1/4 SS	7
1028	0402020	SCREW, 1/4-20X3/4 HHC SS	4
1029	0402021	SCREW, 1/4-20X1 HHC SS	10
1030	0402111	LKWASHER, 1/4 SS	14
1031	0402112	NUT, 1/4-20 HEX SS	9
1032	0717691	PLATE, WIRE RETAINER ALUMINUM	1
1033	09000173	KIT,AIR FLR/REG/LUBE COMBO 1/4	1
1034	0908862	KIT, WINDOW HOUSE LOCK, 12V	1
1035	26833020	HARNESS, LH, TAIL&BACKUP 24V	1
1036	26833049	HARNESS-REAR WORKLAMP CONN	1
1037	26839032	KIT, RUBBER FENDER	1
1038	26839033	KIT, MODULAR LAMP	1
1039	26839034	KIT, MODULAR WIRING	1
1040	9010520	ELBOW 1/4T-1/4NPT	2
1041	9011071	BRASS TEE 1/4T-1/4T-1/4T	1
1042	DE1381	1/2 WASHER SAE 17/32 ID	7
1043	GV57	RUBBER GROMMET,ATLANTIC	1
1044	HA0131	REGULATOR , AIR	1
1045	HA0132	GAUGE 0-160 PSI	1
--	09000173	KIT, AIR FLR/REG/LUBE COMBO 1/4	
1046	0306983	MALE RUNTEE 1/4T-1/4NPT	1
1047	0311367	INTERFACE ADAPTER	1
1048	0911210	ASSEMBLY-FILTER/REGULATOR COMB	1
1049	9010520	ELBOW 1/4T-1/4NPT	1
--	0911210	ASSEMBLY-FILTER/REGULATOR COMB	
1050	0311363	FILTER/REGULATOR COMBINATION	1
1051	0311365	BRACKET	1

Section I - PARTS (cont'd)

MAXXPRO PK PARTS LIST

ITEM	PART NUMBER	DESCRIPTION	QTY
--	0908862	KIT, WINDOW HOUSE LOCK, 12V	
1052	0300080	WIRE, 16 GA, WHITE STRANDED	5
1053	0300117	GROMMET, RUBBER 316	1
1054	0302495	CONVOLUTED LOOM 1/4	5
1055	0306979	DOUBLE SIDE TAPE-3/4	9
1056	0311726	LIGHT, LED STRIP 24" 12V	1
1057	0312245	WIRE 14GA PINK/BLACK	5
1058	0501105	DECAL-ARROW WINDOW HOUSE LOCK	3
1059	0716392	WINDOW, CLEAR HOUSE LOCK	1
1060	0719031	FRAME, WINDOW - HOUSE LOCK	1
1061	523-1407300	TERMINAL, 14ga MALE BULLET+S&A	2
1062	523-1407301	TERMINAL, 14g FEMAL BULLET+S&A	2
--	26839032	KIT, RUBBER FENDER	
1063	0307151	RUBBER FENDER	14
1064	0400607	RIVET, 1/4X5/8 AL	40
--	26839033	KIT, MODULAR LAMP	
1065	0303127	GROMMET-MARKER FOR 2.5" ROUND	1
1066	0303128	GROMMET, OVAL -FOR TAILLIGHT	9
1067	0307220	LIGHT, OVAL AMBER LED	2
1068	0307710	LIGHT, LED TOOLBOX P4606 RED	5
1069	0310496	MARKER SEALED-RED LED CLR LENS	1
1070	26833017	24V STT LAMP	1
1071	26833018	24V BACKUP LAMP	1
--	26839034	KIT, MODULAR WIRING	
1072	0300132	14" UV BLK CABLE TIE	40
1073	0307177	HARNESS-EXT. L.H. "A" CIRCUIT	1
1074	0307178	HARNESS-EXT. L.H. "B" CIRCUIT	1
1075	0307184	HARNESS-SIDE MARK-TURN TANDEM	1
1076	0307265	HARNESS, H.D. MAIN	1
1077	0307266	WIRING HARNESS, TAIL "A"	1
1078	0307267	WIRING HARNESS, TAIL "B"	1
1079	0311505	LIGHT PIGTAIL 2 PLUG 6" LEAD	1
1080	GV57	RUBBER GROMMET, ATLANTIC	3
--	50002959	RT BODY ASSY , MAXXPRO PK	
1081	03005838	5/8" DOOR SEAL	42
1082	03008991	BODY, RT MAXXPRO PK	1
1083	0303290	INSULATED CLAMP 2 1/2	1
1084	0306540	ROTARY SELECT SWITCH OPERATOR	2
1085	0307182	CROSS-OVER HARNESS "B" CIRCUIT	1
1086	0311200	6" JUMPER WIRE-TWISTERS	1
1087	0311201	2.5" JUMPER WIRE-TWISTERS	2
1088	0311204	24" JUMPER WIRE-TWISTERS	1
1089	0400021	SCREW, 8-32X1/2 PRH SS	2
1090	0400062	SCREW, 1/4-20X3/4 THC	7
1091	0400066	SCREW, 1/4-20X3/4 HHC GR5	4
1092	0400126	SCREW, 3/8-16X1 HHC GR5	3

Section I - PARTS (cont'd)

MAXXPRO PK PARTS LIST

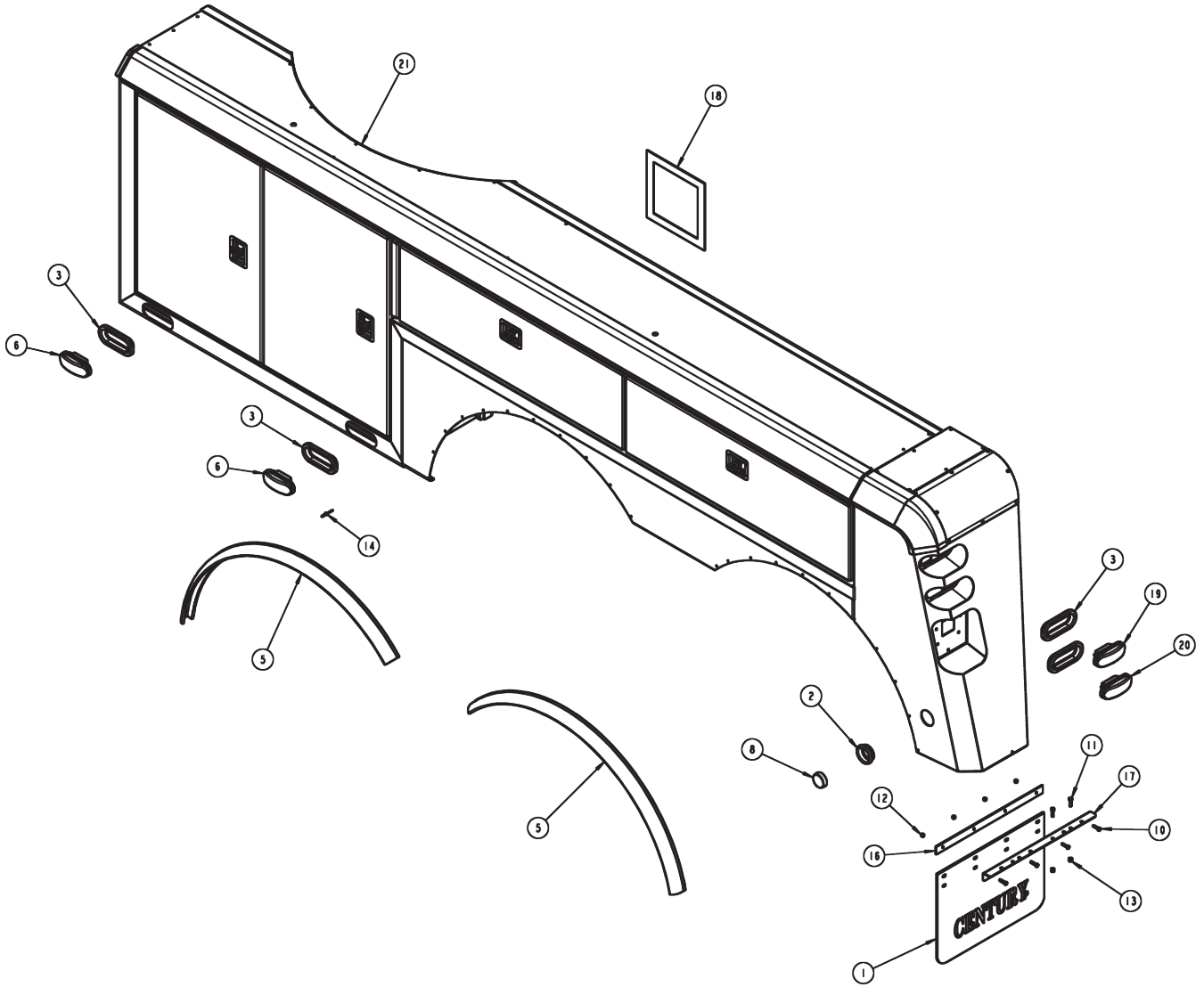
ITEM	PART NUMBER	DESCRIPTION	QTY
--	50002959	RT BODY ASSY , MAXXPRO PK (cont'd)	
1093	04001267	NUT, 3/8-16 HEX	1
1094	0400146	SCREW, 3/8-16X2-1/4 HHC GR5	1
1095	0400392	NUT, 3/8-16 LOK	3
1096	0400454	WASHER, 1/4 SS	7
1097	0400480	WASHER, 3/8	7
1098	0400482	LKWASHER, 3/8	1
1099	0402021	SCREW, 1/4-20X1 HHC SS	10
1100	0402111	LKWASHER, 1/4 SS	10
1101	0402112	NUT, 1/4-20 HEX SS	5
1102	0717691	PLATE, WIRE RETAINER ALUMINUM	7
1103	174013074	12 POSITION JUNCTION BOX	2
1104	25358020	SWITCH PANEL WLDMT , O/R	1
1105	26833021	HARNESS, RH, TAIL&BACKUP 24V	1
1106	26833048	HARNESS- OUTRIGGER RH CONN	1
1107	26833049	HARNESS-REAR WORKLAMP CONN	1
1108	26833057	HARNESS-12V MARKER TURN MAXPRO	1
1109	26833059	HARNESS-GREER TOOLBOX	1
1110	26833071	STRAP-SHACKLE HOLDER	1
1111	26833086	HARNESS-RPM TO JXN MAIN LTG	1
1112	26833087	HARNESS-JXN EXT-WINCH/BOOM LTG	1
1113	26833106	GROUND CABLE, 100"	1
1114	26839032	KIT, RUBBER FENDER	1
1115	26839033	KIT, MODULAR LAMP	1
1116	26839034	KIT, MODULAR WIRING	1
1117	523-1407300	TERMINAL, 14GA MALE BULLET+S&A	1
1118	DE1381	1/2 WASHER SAE 17/32 ID	7
1119	GV57	RUBBER GROMMET,ATLANTIC	1
--	26839032	KIT, RUBBER FENDER	
1120	0307151	RUBBER FENDER	14
1121	0400607	RIVET, 1/4X5/8 AL	40
--	26839033	KIT, MODULAR LAMP	
1122	0303127	GROMMET-MARKER FOR 2.5" ROUND	1
1123	0303128	GROMMET, OVAL -FOR TAILLIGHT	9
1124	0307220	LIGHT, OVAL AMBER LED	2
1125	0307710	LIGHT, LED TOOLBOX P4606 RED	5
1126	0310496	MARKER SEALED-RED LED CLR LENS	1
1127	26833017	24V STT LAMP	1
1128	26833018	24V BACKUP LAMP	1
--	26839034	KIT, MODULAR WIRING	
1129	0300132	14" UV BLK CABLE TIE	40
1130	0307177	HARNESS-EXT. L.H. "A" CIRCUIT	1
1131	0307178	HARNESS-EXT. L.H. "B" CIRCUIT	1
1132	0307184	HARNESS-SIDE MARK-TURN TANDEM	1
1133	0307265	HARNESS, H.D. MAIN	1
1134	0307266	WIRING HARNESS, TAIL "A"	1
1135	0307267	WIRING HARNESS, TAIL "B"	1

Section I - PARTS (cont'd)

MAXXPRO PK PARTS LIST

ITEM	PART NUMBER	DESCRIPTION	QTY
--	26839034	KIT, MODULAR WIRING (cont'd)	
1136	0311505	LIGHT PIGTAIL 2 PLUG 6" LEAD	1
1137	GV57	RUBBER GROMMET, ATLANTIC	3

Section I - PARTS (cont'd)
MAXXPRO PK LH BODY ASSEMBLY

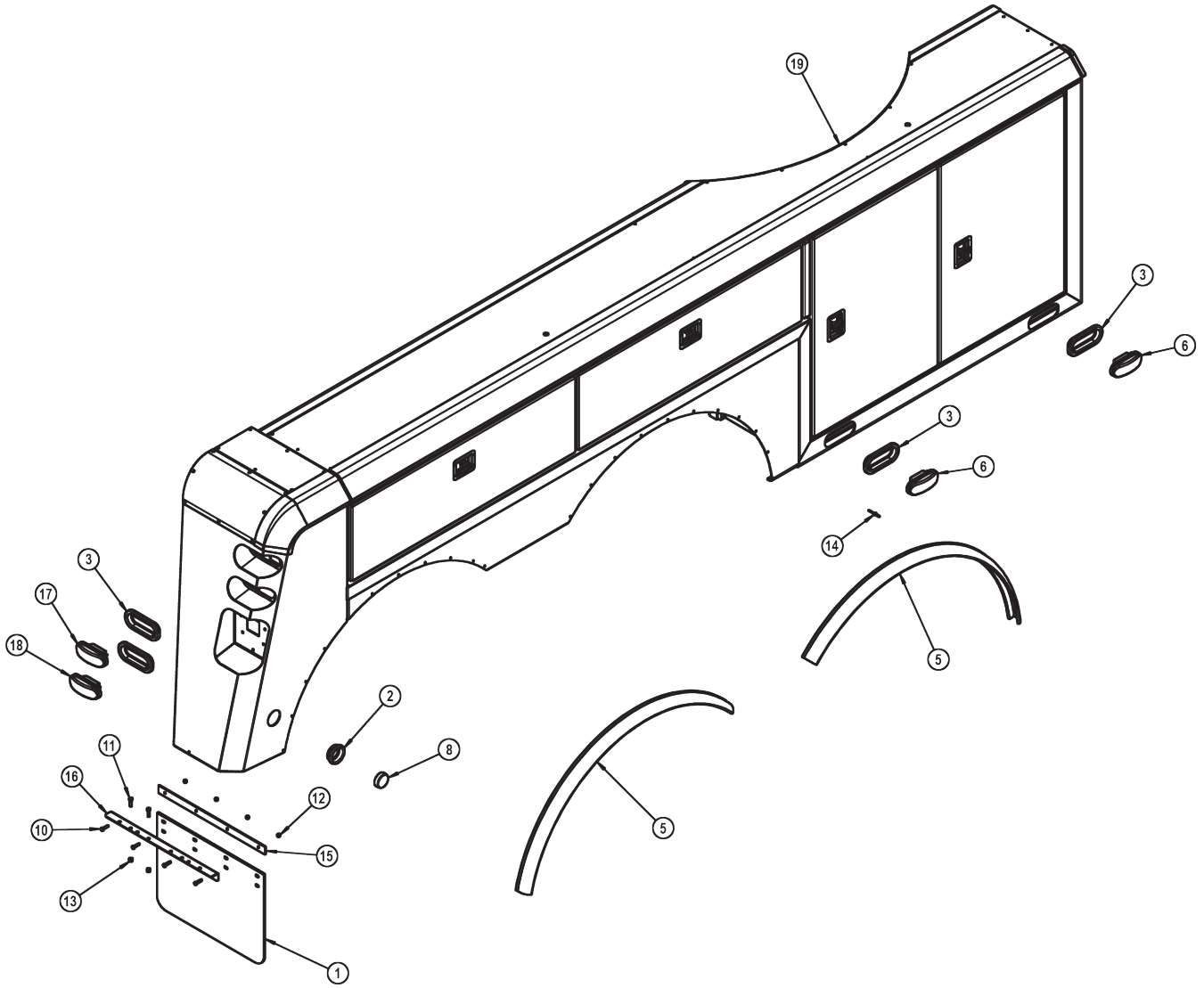


Section I - PARTS (cont'd)

MAXXPRO PK LH BODY ASSEMBLY

ITEM	PART NUMBER	DESCRIPTION	QTY
1	0310631	MUDFLAP	1
2	0303127	GROMMET, MARKER LIGHT	1
3	0303128	GROMMET, TAIL LIGHT	9
4	0303677	BACK UP ALARM, 12/24 V (NOT SHOWN)	1
5	0307151	RUBBER FENDER -GRIFFITH 37042	14 FT.
6	0307220	LIGHT OVAL AMBER 60 LED	2
7	0307710	LIGHT LED TOOLBOX P4606 (NOT SHOWN)	5
8	0310496	MARKER LAMP, RED 2-1/2" ROUND	1
9	03005838	5/8" DOOR SEAL (NOT SHOWN)	42 FT
10	0400103	5/16-18 X 1 1/4 HHCS GR.5, ZP	4
11	0400148	3/8-16 X 1-1/4 HHCS GR5 ZP	2
12	0400382	5/16-18 NYLOCK HEX NUT ZP	4
13	0400392	3/8-16 NYLOCK HEX NUT ZP	2
14	0400607	RIVET, 1/4" X 5/8" ALUMINUM	40
15	0716392	WINDOW, CLEAR HOUSE LOCK (N.S.)	1
16	0717386	BAR, MUDFLAP	1
17	0718139	ANGLE, MUD FLAP MOUNT	1
18	0719031	FRAME, HOUSE LOCK WINDOW	1
19	26833017	24V STT LAMP	1
20	26833018	24V BACKUP LAMP	1
21	03008990	BODY, LH MAXXPRO PK	1
22	0306983	MALE RUN TEE 1/4T-1/4T-1/4T	1
23	0311367	INTERFACE ADAPTER	1
24	0311363	FILTER/REGULATOR COMBINATION	1
25	0311365	BRACKET	1
26	9010520	ELBOW 1/4T-1/4	1
27	GV57	RUBBER GROMMET, ATLANTIC (N.S.)	3
28	HA0131	REGULATOR , AIR (NOT SHOWN)	1
29	HA0132	GAUGE 0-160 PSI (NOT SHOWN)	1

Section I - PARTS (cont'd)
MAXXPRO PK RH BODY ASSEMBLY



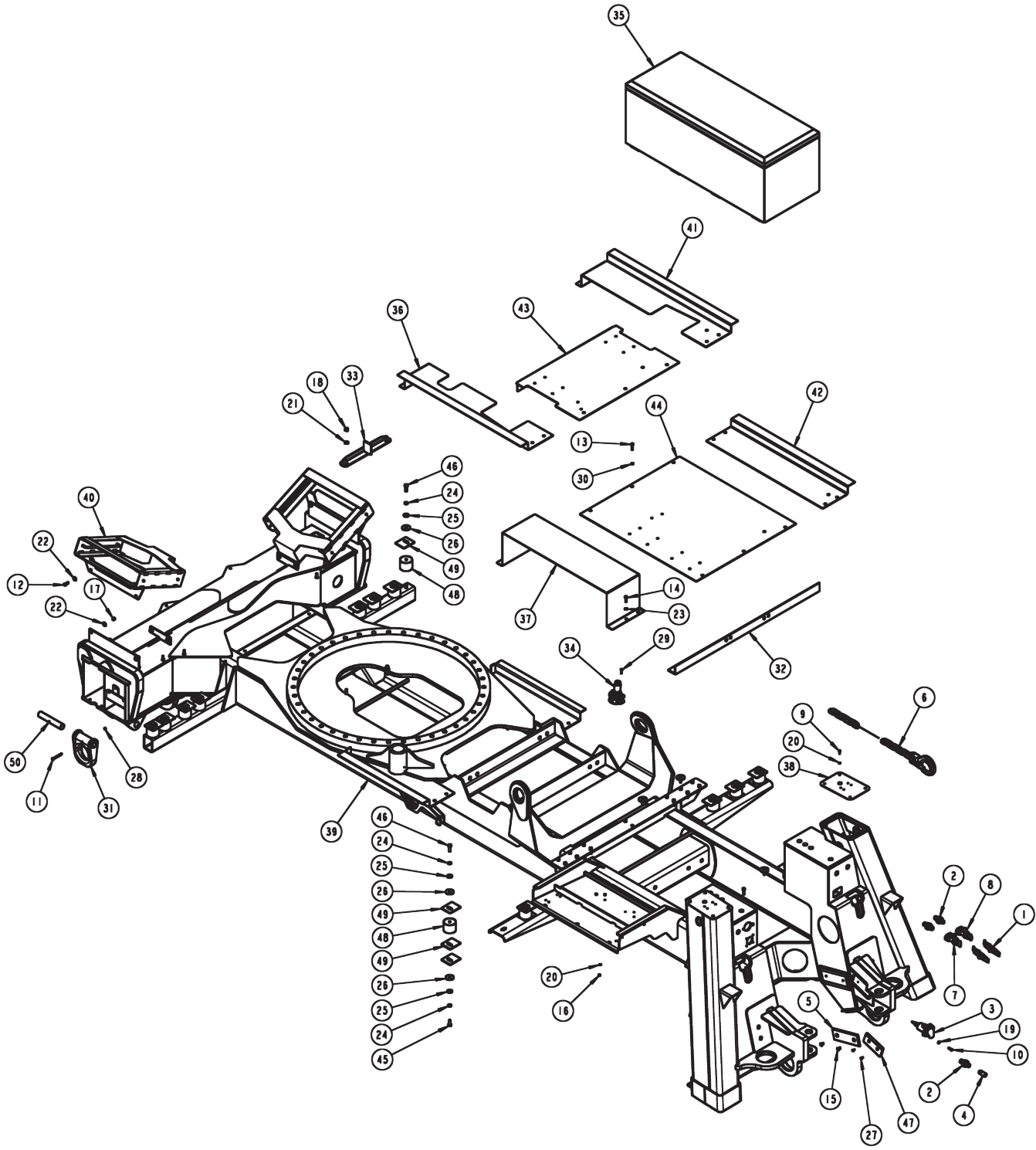
Section I - PARTS (cont'd)

MAXXPRO PK LH BODY ASSEMBLY

ITEM	PART NUMBER	DESCRIPTION	QTY
1	0310631	MUDFLAP	1
2	0303127	GROMMET, MARKER LIGHT	1
3	0303128	GROMMET, TAIL LIGHT	9
4	0303677	BACK UP ALARM, 12/24 V (NOT SHOWN)	1
5	0307151	RUBBER FENDER -GRIFFITH 37042	14 FT.
6	0307220	LIGHT OVAL AMBER 60 LED	2
7	0307710	LIGHT LED TOOLBOX P4606 (NOT SHOWN)	5
8	0310496	MARKER LAMP, RED 2-1/2" ROUND	1
9	03005838	5/8" DOOR SEAL (NOT SHOWN)	42 FT
10	0400103	5/16-18 X 1 1/4 HHCS GR.5, ZP	4
11	0400148	3/8-16 X 1-1/4 HHCS GR5 ZP	2
12	0400382	5/16-18 NYLOCK HEX NUT ZP	4
13	0400392	3/8-16 NYLOCK HEX NUT ZP	2
14	0400607	RIVET, 1/4" X 5/8" ALUMINUM	40
15	0717386	BAR, MUDFLAP	1
16	0718139	ANGLE, MUD FLAP MOUNT	1
17	26833017	24V STT LAMP	1
18	26833018	24V BACKUP LAMP	1
19	03008991	BODY, LH MAXXPRO PK	1
20	GV57	RUBBER GROMMET, ATLANTIC (N.S.)	1

Section I - PARTS (cont'd)

MAXXPRO PK SUBFRAME ASSEMBLY



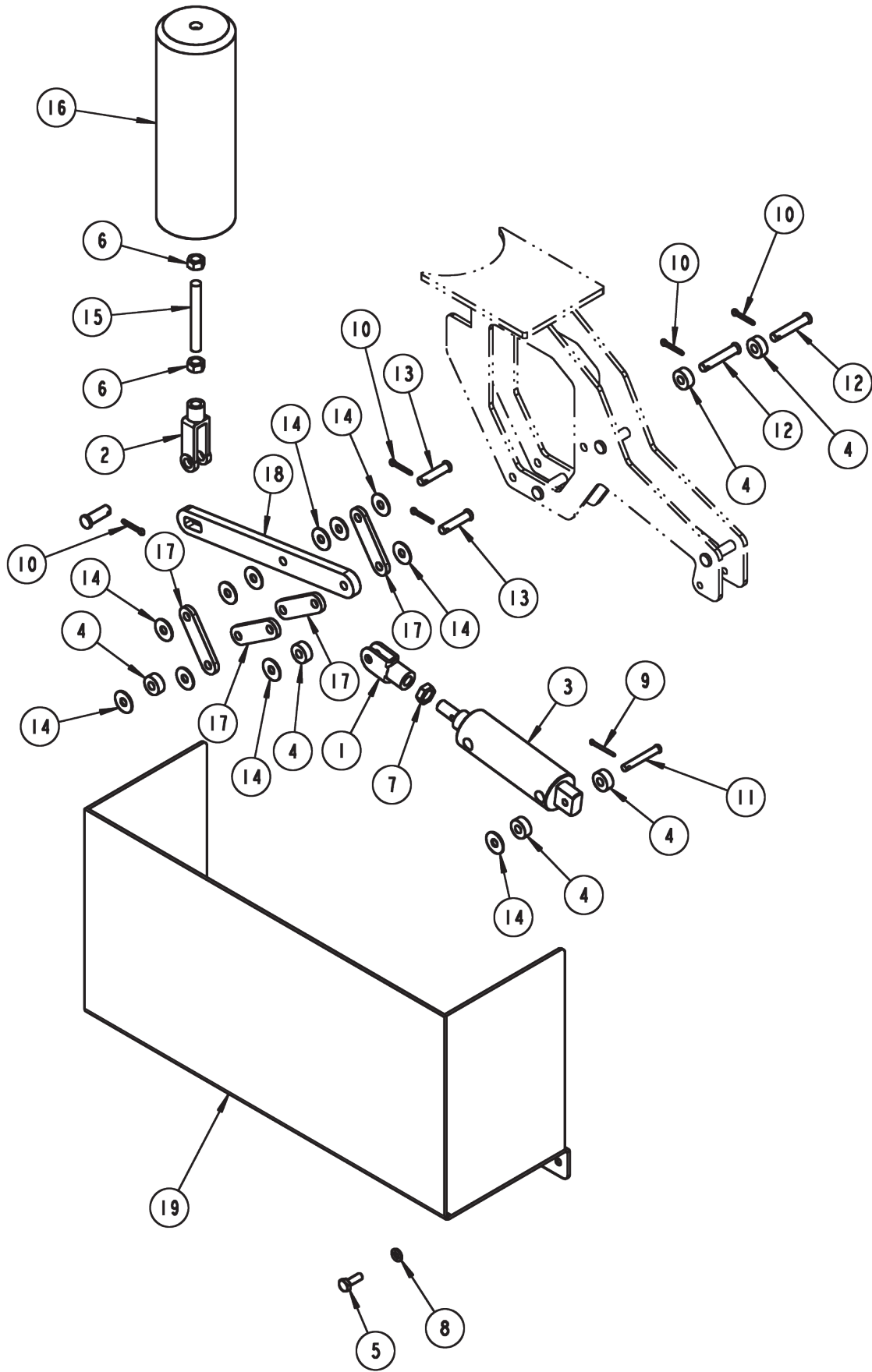
Section I - PARTS (cont'd)

MAXXPRO PK SUBFRAME ASSEMBLY

ITEM	PART NUMBER	DESCRIPTION	QTY
1	0301945	GLAD HAND PLUG	2
2	0301946	BULKHEAD CONNECTOR	3
3	0301948	7-WAY TRAILER CONNECTOR	1
4	0303539	QUICK DISCONNECT	1
5	0307450	SLIDE PAD, BUMPER	2
6	0307626	SAFETY CHAIN ASSEMBLY, 1/2" X 14' GR100	1
7	0307740	GLAD HAND COUPLING	1
8	0307741	GLAD HAND COUPLING	1
9	0400066	1/4-20 X 3/4 HHCS GR.5, ZP	8
10	0400070	1/4-20 X 1 HHCS GR5 ZP	2
11	0400114	5/16-18 X 3 HHCS GR 5 ZP	2
12	0400126	3/8-16 X 1 HHCS GR.5, ZP	8
13	0400132	3/8-16 X 1 1/2 HHCS GR.5, ZP	21
14	0400148	3/8-16 X 1-1/4 HHCS GR5 ZP	4
15	0400349	SCREW, 3/8"-16 X 3/4" FL HD SKT	4
16	0400367	1/4-20 NYLOCK HEX NUT ZP	3
17	0400392	3/8-16 NYLOCK HEX NUT ZP	10
18	0400408	1/2-13 NYLOCK HEX NUT ZP	2
19	0400451	1/4 FLAT WASHER ZP	2
20	0400452	1/4 HELICAL LOCK WASHER ZP	12
21	0400467	WASHER, SAE 1/2" HARDENED PL	2
22	0400480	3/8 FLAT WASHER ZP	16
23	0400482	3/8 HELICAL LOCK WASHER ZP	4
24	0400491	1/2 HELICAL LOCK WASHER ZP	20
25	0400497	1/2 FLAT WASHER GR.8, YZ PLATED	20
26	0400498	WASHER, 1/2' ID X 2" OD X .150	24
27	0400594	SCREW, 1/4"-20 X 5/8" FL SKT HD	4
28	0400776	5/16-18 HEX NUT JAM NYLOK	2
29	0402021	1/4-20 X 1 HHCS SS	3
30	0402121	3/8 LOCKWASHER 316 STAINLESS	17
31	0719585	"D" RING, TOWING	2
32	0806552	ANGLE MTG REAR DECK COVERS	1
33	0807433	SWING LIMIT ANGLE WELDMENT	1
34	24773013	LEVEL SENSOR	1
35	26833031	DECK STORAGE BOX	1
36	26837041	FLOOR SHEET, LEFT FRONT	1
37	26837044	FLOOR SHEET, VALVE COVER	1
38	26837177	COVER PLATE	2
39	08006648	SUBFRAME WELDMENT	1
40	08006710	OUTRIGGER PAD STOWAGE BRKT	2
41	26838037	FLOOR SHEET WLMT, RIGHT FRONT	1
42	26838038	FLOOR SHEET WLMT, RIGHT REAR	1
43	26838039	FLOOR SHEET WLMT, CENTER COVER	1
44	26838040	FLOOR SHEET WLMT, REAR CENTER	1
45	9041402	1/2-13NC X 1 1/4 HHCS, ZP, GR.8	6
46	9041403	1/2-13 X 1-1/2 HHCS GR 8 ZP	14
47	930150003	TOP PAD	2
48	9402970	TOOLBOX MTG. PAD	14
49	942480011	REAR WASHER PLATE	20
50	GA0215	PIN, D RING	2

Section I - PARTS (cont'd)

MAXXPRO PK HOUSE LOCK ASSEMBLY



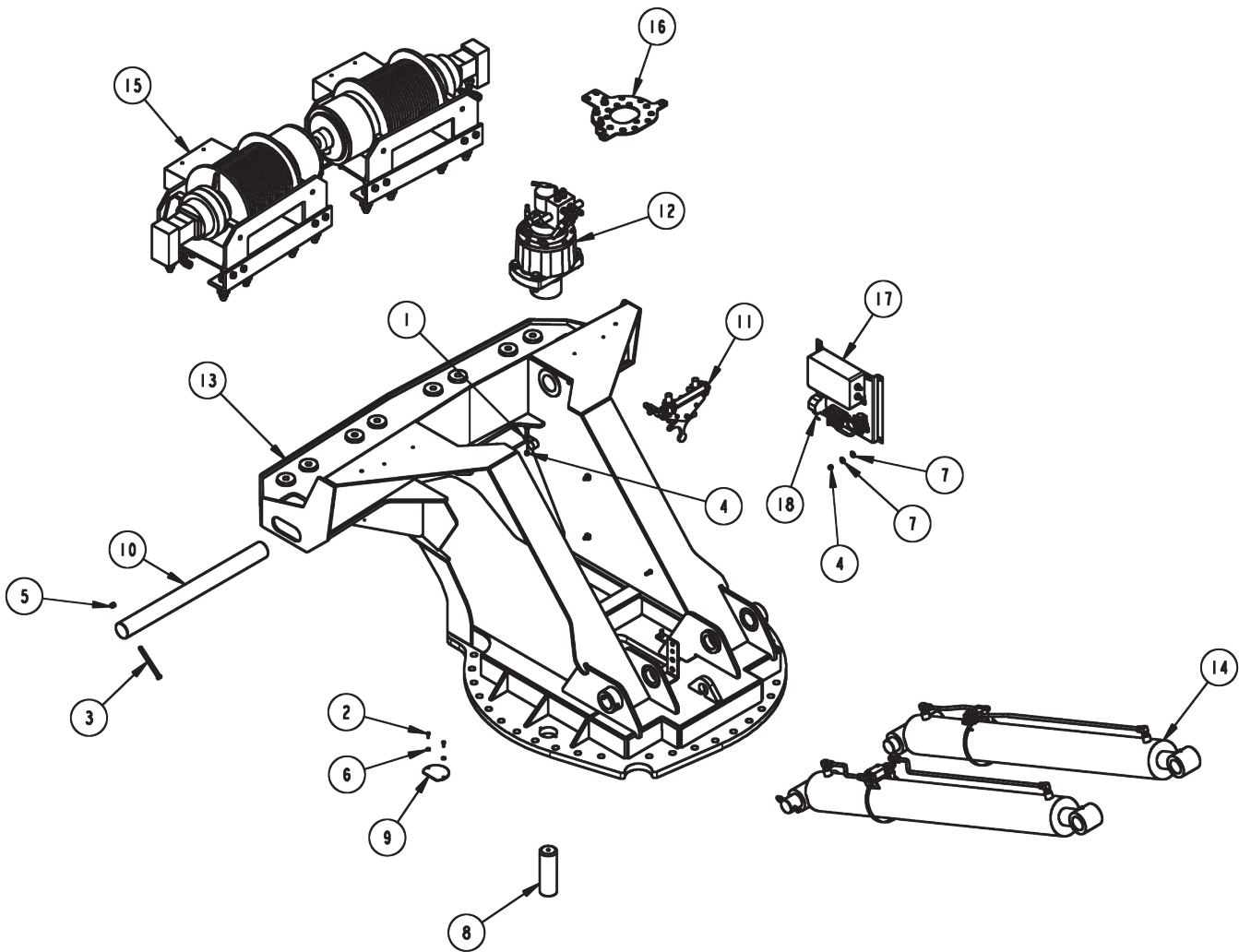
Section I - PARTS (cont'd)

MAXXPRO PK HOUSE LOCK ASSEMBLY

ITEM	PART NUMBER	DESCRIPTION	QTY
1	0200052	CLEVIS LINK	1
2	0302231	ADJ CLEVIS 3/8" AC-218	1
3	0306698	AIR CYLINDER-1.5BORE/1.71STROK	1
4	0307612	NYLON SPACER, 5/16 THK X 5/16ID	6
5	0400066	1/4-20X3/4 HHCS GR5 ZP	4
6	0400388	3/8-24 HEX NUT ZP	2
7	0400401	7/16-20 HEX JAM NUT PL	1
8	0400452	1/4" HELICAL LCKWASHR ZP	4
9	0400540	3/32X1" COTTER PIN	1
10	0400543	1/8X3/4" COTTER PIN	4
11	0400663	CLEVIS PIN, 1/4X1-3/4 ZINC PL	1
12	0400664	CLEVIS PIN, 5/16X1-3/4 ZINC PL	2
13	0400666	CLEVIS PIN, 5/16X1-3/8 ZINC PL	2
14	0402117	5/16 FLATWASHER 316SS	8
15	0705698	ALLTHREAD, CONNECTOR	1
16	0709331	RETAINING PIN, LOCK	1
17	0718297	BAR LINK, PIN LOCK	4
18	0718298	BAR LEVER, PIN LOCK	1
19	26838049	HOUSE LOCK COVER	1

Section I - PARTS (cont'd)

MAXXPRO PK WRECKER ASSEMBLY

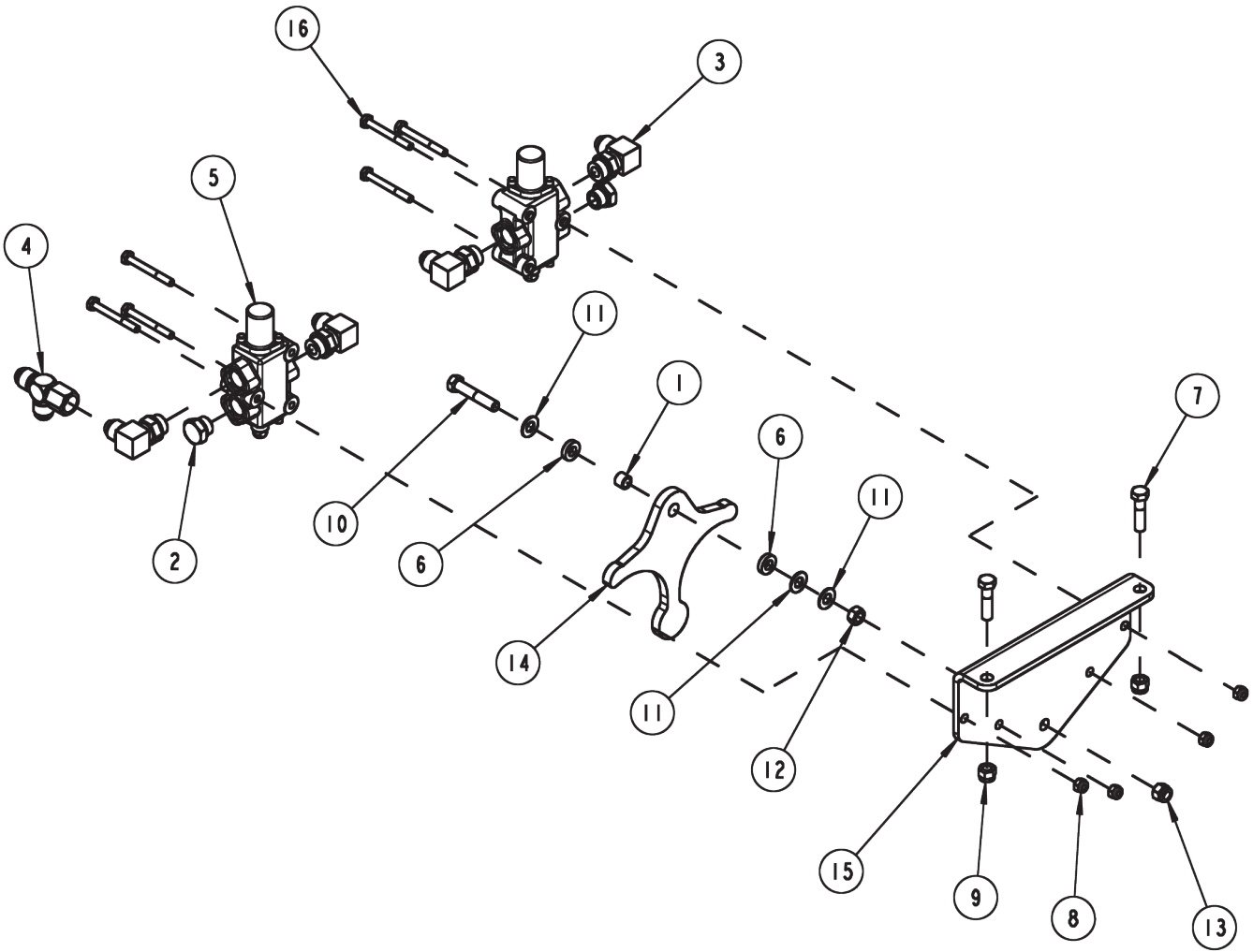


Section I - PARTS (cont'd)

MAXXPRO PK WRECKER ASSEMBLY

ITEM	PART NUMBER	DESCRIPTION	QTY
1	0300188	CLAMP, 1-1/2" HOSE	1
2	0400066	1/4-20X3/4 HHCS GR5 ZP	4
3	0400180	1/2-13X6 HHCS GR5 ZP	1
4	0400392	3/8-16 NYLOK HEX NUT ZINC	5
5	0400408	1/2-13 NYLOK HEX NUT ZP	1
6	0400451	1/4 FLATWASHER ZP	4
7	0400480	3/8 FLATWASHER ZP	8
8	0709331	PIN, RETAINING - HOUSE LOCK	1
9	0719162	PLATE, ACCESS COVER	2
10	0722103	SHAFT, BOOM PIVOT	1
11	0910238	SWING LIMIT VALVE ASSY, 1140	1
12	0910547	SWING DRIVE ASSEMBLY	1
13	08006788	WRECKER FRAME WELDMENT	1
14	09008691	LIFT CYLINDER ASSEMBLY	1
15	09008692	WINCH ASSEMBLY	1
16	26839015	HYDRAULIC SWIVEL PLATE ASSEMBLY	1
17	26839021	AIR SYSTEM KIT	1
18	523-1405300	TERMINAL, 14GA 10 RING/SHRINK	2
19	0301471	HOSE HYD, 30" (NOT SHOWN)	5
20	0301790	HOSE HYD, 15" (NOT SHOWN)	2
21	26833003	OVERLOAD SYSTEM (NOT SHOWN)	1
22	26833076	HARNES-GREER POWER MAIN (N.S.)	1

Section I - PARTS (cont'd)
MAXXPRO PK SWING LIMIT VALVE ASSEMBLY



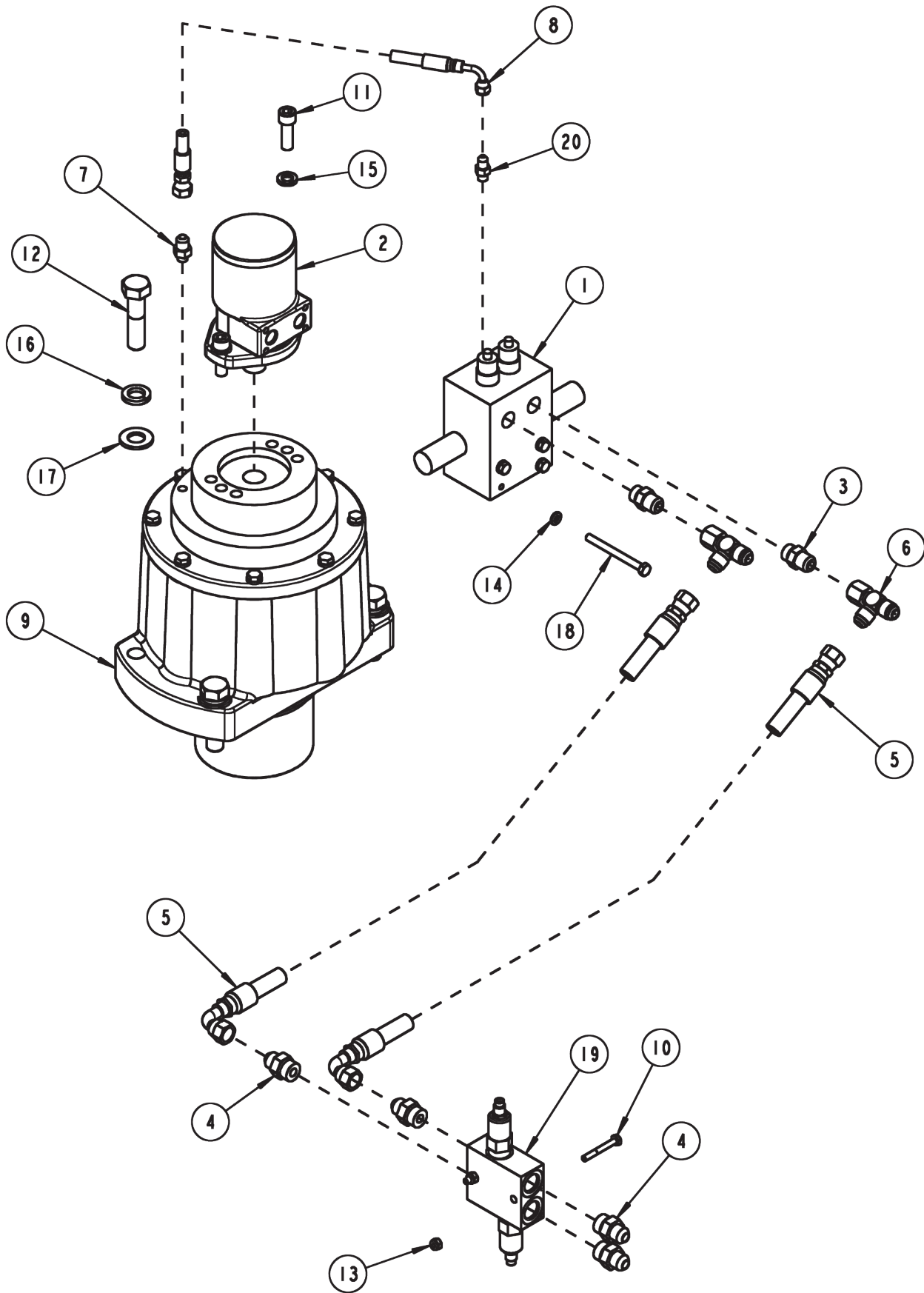
Section I - PARTS (cont'd)

MAXXPRO PK SWING LIMIT VALVE ASSEMBLY

ITEM	PART NUMBER	DESCRIPTION	QTY
1	561-0380002	BEARING, BRONZE 3/8 IDX1/2 OD	1
2	0300387	PLUG, 1/2 SAE O-RING	2
3	0301388	90ELL, 8MJ-8MB90	4
4	0302052	RUN TEE, 8MJ-8MJ-8FJX	1
5	0310336	VALVE, DIVERTER	2
6	0310565	SPACER, 3/8ID X 3/4OD X 3/16	2
7	0400132	3/8-16X1.5 HHCS GR5 ZP	2
8	0400367	1/4-20 NYLOK HEX NUT ZP	6
9	0400392	3/8-16 NYLOK HEX NUT ZINC	2
10	0402046	3/8-16NC X 2 HHCS SS	1
11	0402120	3/8 FLATWASHER 316 SS	3
12	0402122	3/8-16NC HEX NUT 316 SS	1
13	0402123	NUT, 3/8-16 NYLOCK SS	1
14	0721687	PLATE, SWING LIMIT CAM	1
15	0721688	ANGLE, SWING LIMIT MOUNTING	1
16	9041010	1/4 NC X 2 1/4 HHCS GR8	6

Section I - PARTS (cont'd)

MAXXPRO PK SWING DRIVE ASSEMBLY

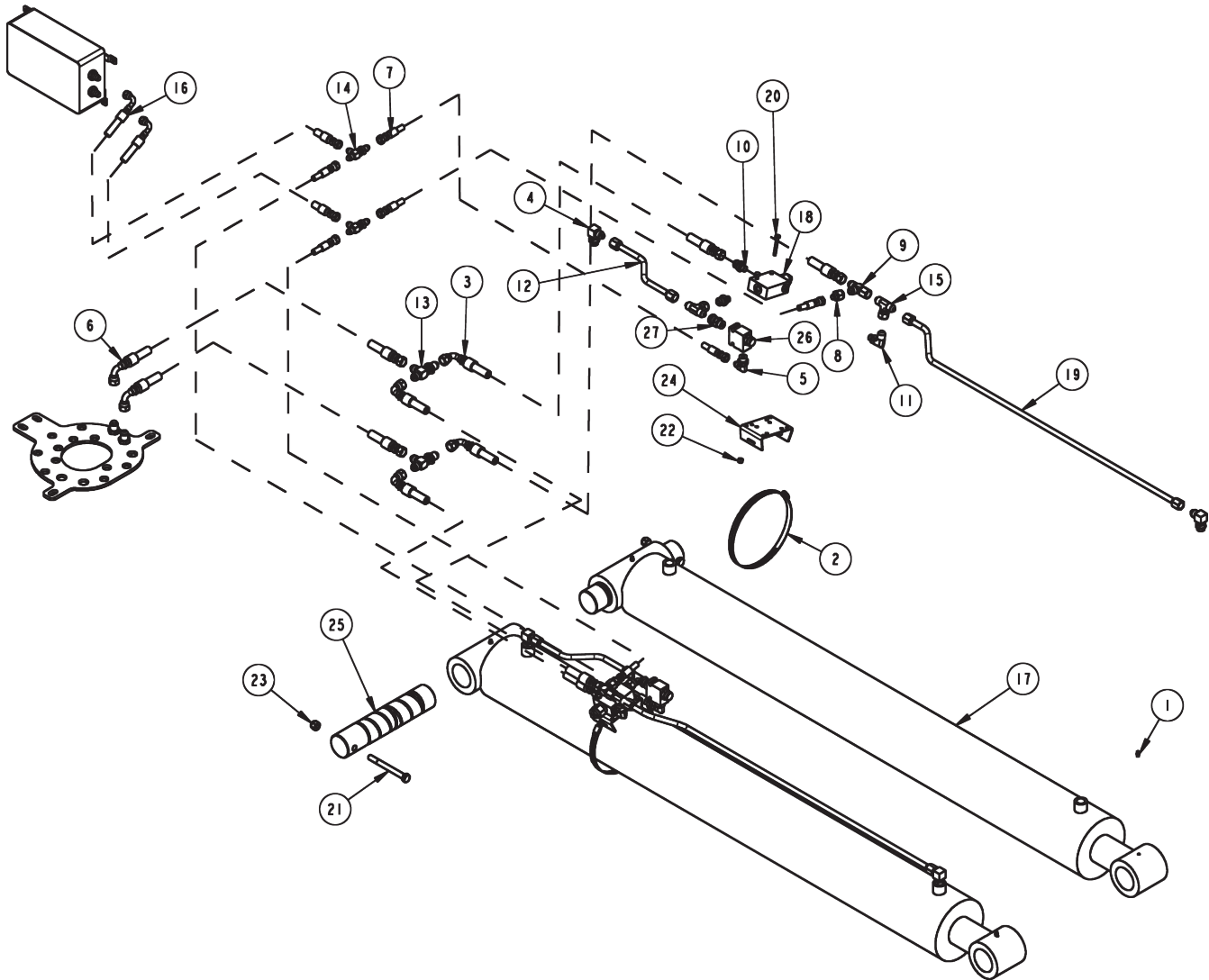


Section I - PARTS (cont'd)

MAXXPRO PK SWING DRIVE ASSEMBLY

ITEM	PART NUMBER	DESCRIPTION	QTY
1	512-080001	LOAD CONTROL VALVE DIR MOTOR M	1
2	515-000101	HYDRAULIC MOTOR, PARKER	1
3	0300041	CONNECTOR 8MJX8MB	2
4	0301376	CONNECTOR 8MJX10MB	4
5	0301790	HOSE ASSY, 15" LG	2
6	0302052	RUN TEE, 8MJ-8MJ-8FJX	2
7	0302695	CONNECTOR 6MJ-4MB	1
8	0303994	HOSE ASSY, 48" LG	1
9	0307651	PLANETRY GEARBOX	1
10	0400078	1/4-20 X 2 HHCS GR5 ZP	2
11	0400238	SCREW, 1/2"-13 X 1-1/2" SKT HD CAP	2
12	0400289	3/4-10 X 3 HHCS GR.8, GOLD	4
13	0400367	1/4-20 NYLOCK HEX NUT ZP	2
14	0400464	5/16 HELICAL LOCK WASHER ZP	4
15	0400491	1/2 HELICAL LOCK WASHER ZP	2
16	0400511	3/4 HELICAL LOCK WASHER ZP	4
17	0400512	3/4 FLAT WASHER (SPECIAL)	4
18	0400997	SCREW, 5/16"-18 X 3" HEX HD CAP GR5	4
19	24773023	VALVE, CROSS-OVER RELIEF	1
20	HC1291	CONNECTOR, 4MJ-4MB STR	1

Section I - PARTS (cont'd) MAXXPRO PK BOOM LIFT CYLINDER ASSEMBLY



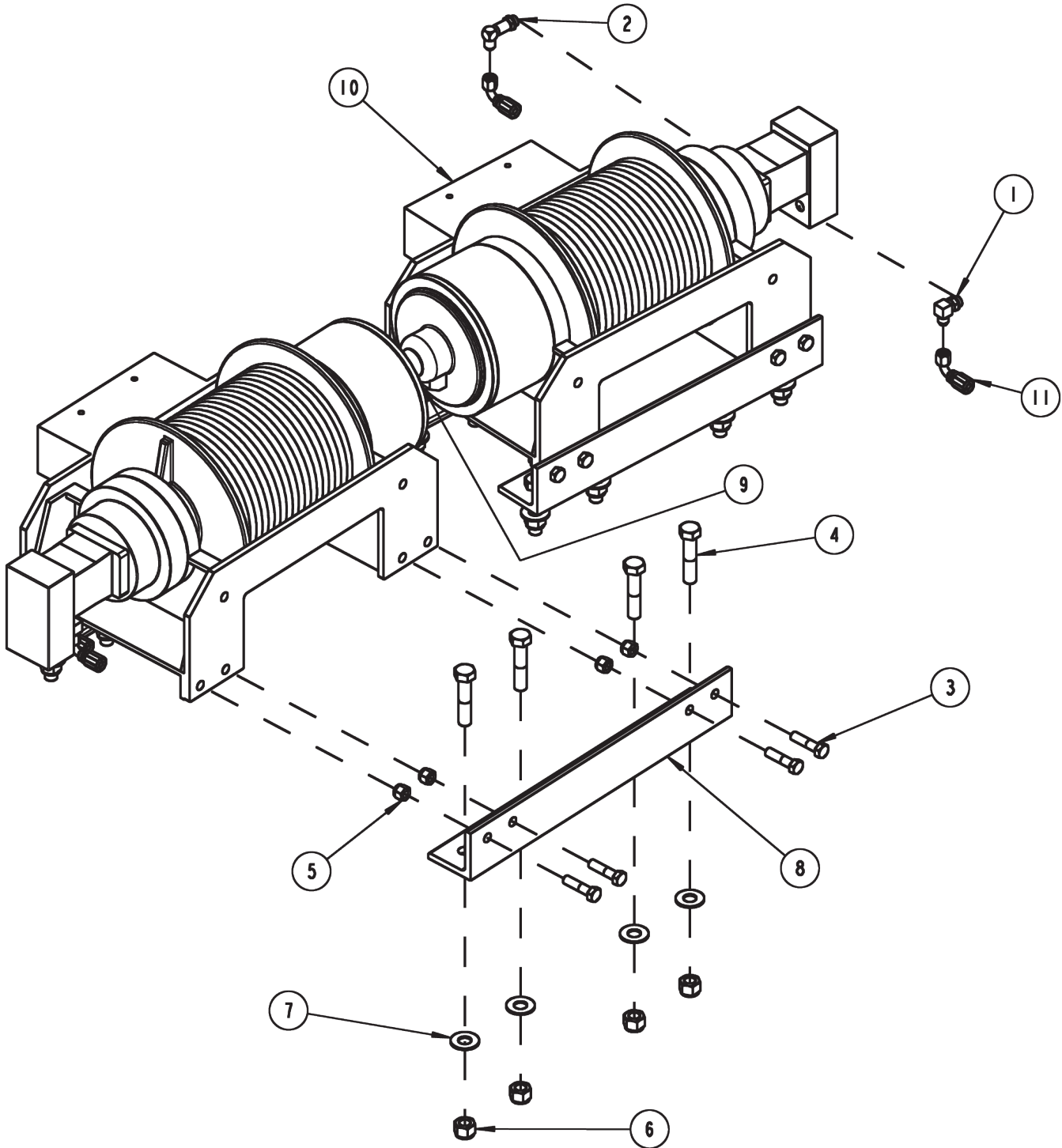
Section I - PARTS (cont'd)

MAXXPRO PK BOOM LIFT CYLINDER ASSEMBLY

ITEM	PART NUMBER	DESCRIPTION	QTY
1	0300113	GREASE FITTING, 1/4-28 STRAIGHT	4
2	0300644	HOSE CLAMP, 8 68452/I	2
3	0300787	HOSE HYD, 53" LG	4
4	0301388	90ELL, 8MJ-8MB90	4
5	0301470	90ELB 6MJ-8MB90	2
6	0301471	HOSE HYD, 30"	2
7	0301664	HOSE HYD, 64"	4
8	0301995	ADAPTER STR	2
9	0302052	RUN TEE, 8MJ-8FJX-8MJ	2
10	0302275	CONNECTOR, 8MJ-6MB W/STEP	4
11	0302276	ELBOW, 90 DEG	2
12	0302568	HYD TUBING	2
13	0302574	BULKHEAD RUN TEE	2
14	0302575	BULKHEAD RUN TEE	2
15	0302796	TEE	4
16	0302926	HOSE HYD, 29" LONG	2
17	0306747	CYL, BOOM LIFT	2
18	0307107	VALVE, HOLDING 4000 PSI SAE	2
19	0307614	TUBING, HYD ASSY 1/2" DIA 7035	2
20	0400078	1/4-20X2 HHCS GR5 ZP	4
21	0400206	1/2-13X5 HHCS GR5 ZP	2
22	0400367	1/4-20 NYLOK HEX NUT ZP	6
23	0400408	1/2-13 NYLOK HEX NUT ZP	2
24	0703001	BRKT, MTG, CHECK VALVE	2
25	0708094	PIN, LIFT CYLINDER	2
26	03009370	VALVE, FLOW LIMITER (2 GPM)	2
27	24773015	ADAPTER, 8MB-8FJX	2

Section I - PARTS (cont'd)

MAXXPRO PK WINCH ASSEMBLY



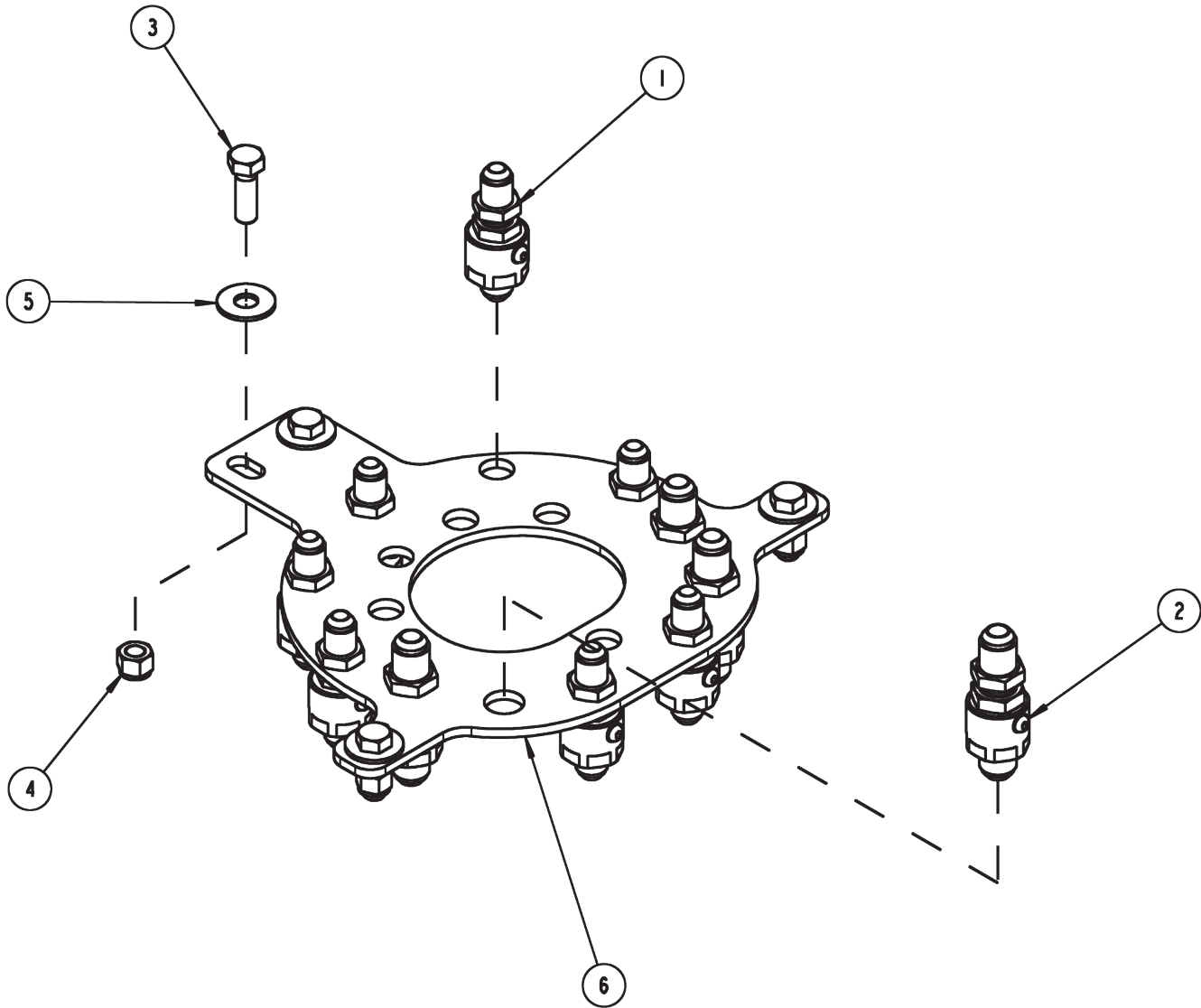
Section I - PARTS (cont'd)

MAXXPRO PK WINCH ASSEMBLY

ITEM	PART NUMBER	DESCRIPTION	QTY
1	0301388	90ELL, 8MJ-8MB90 2	
2	0302508	ELL 8MJ-8MB 90LL 2	
3	0400262	5/8-11X2.5" HHCS GR 8 ZP	16
4	0400307	7/8-9X4HHCS GR 8 GOLD	16
5	0400426	5/8-11 NYLOK NUT GR 8 ZP	4
6	0400437	7/8-9 NYLOK HEX GR 8 ZP	16
7	0400473	WASH, FLAT 7/8" PL HARD'N	16
8	0722104	ANGLE, WINCH MOUNTING	4
9	9010520	BRASS ELB 1/4T-1/4MP	2
10	9048248	WINCH DP 2-SPD 25K NRW DRM CARC	2
11	0310581	HOSE ASSY- 96"	4
12	0301577	1/4 OD PLASTIC AIRLINE BLK (NOT SHOWN)	35
13	0302495	CONVOLUTED LOOM 1/4 (NOT SHOWN)	35
14	0311193	6" CABLE TIE (NOT SHOWN)	20

Section I - PARTS (cont'd)

MAXXPRO PK HYDRAULIC SWIVEL PLATE ASSEMBLY



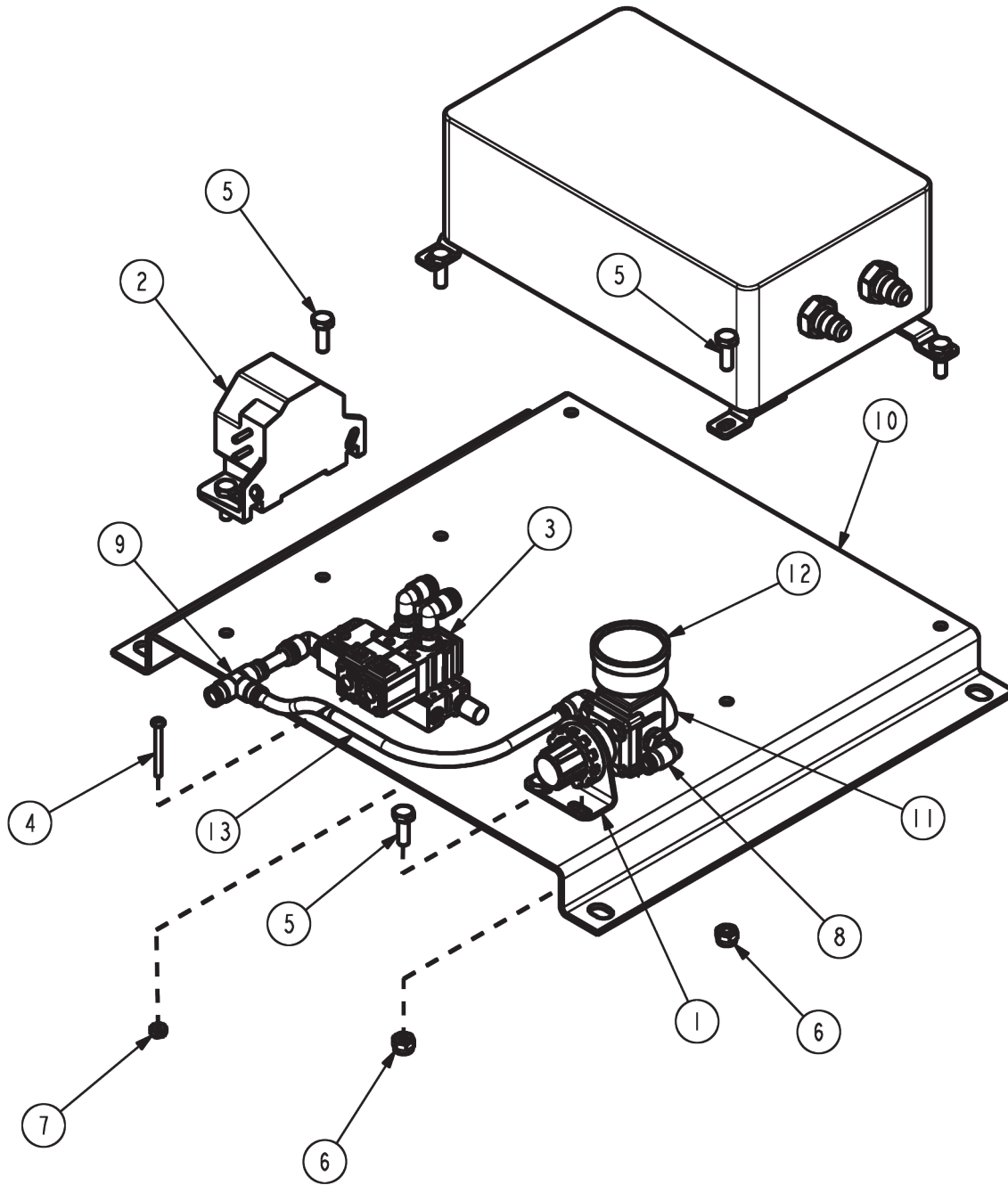
Section I - PARTS (cont'd)

MAXXPRO PK HYDRAULIC SWIVEL PLATE ASSEMBLY

ITEM	PART NUMBER	DESCRIPTION	QTY
1	0310371	SWIVEL, INLINE - 8MJ BULKHEAD	7
2	0310372	SWIVEL, INLINE - 10MJ BULKHEAD	4
3	0400181	1/2-13X1.5 HHCS GR5 ZP	4
4	0400408	1/2-13 NYLOK HEX NUT ZP	4
5	0400492	1/2" FLATWASHER ZP	4
6	0724503	PLATE-HYD SWIVEL MTG	1

Section I - PARTS (cont'd)

MAXXPRO PK AIR SYSTEM KIT

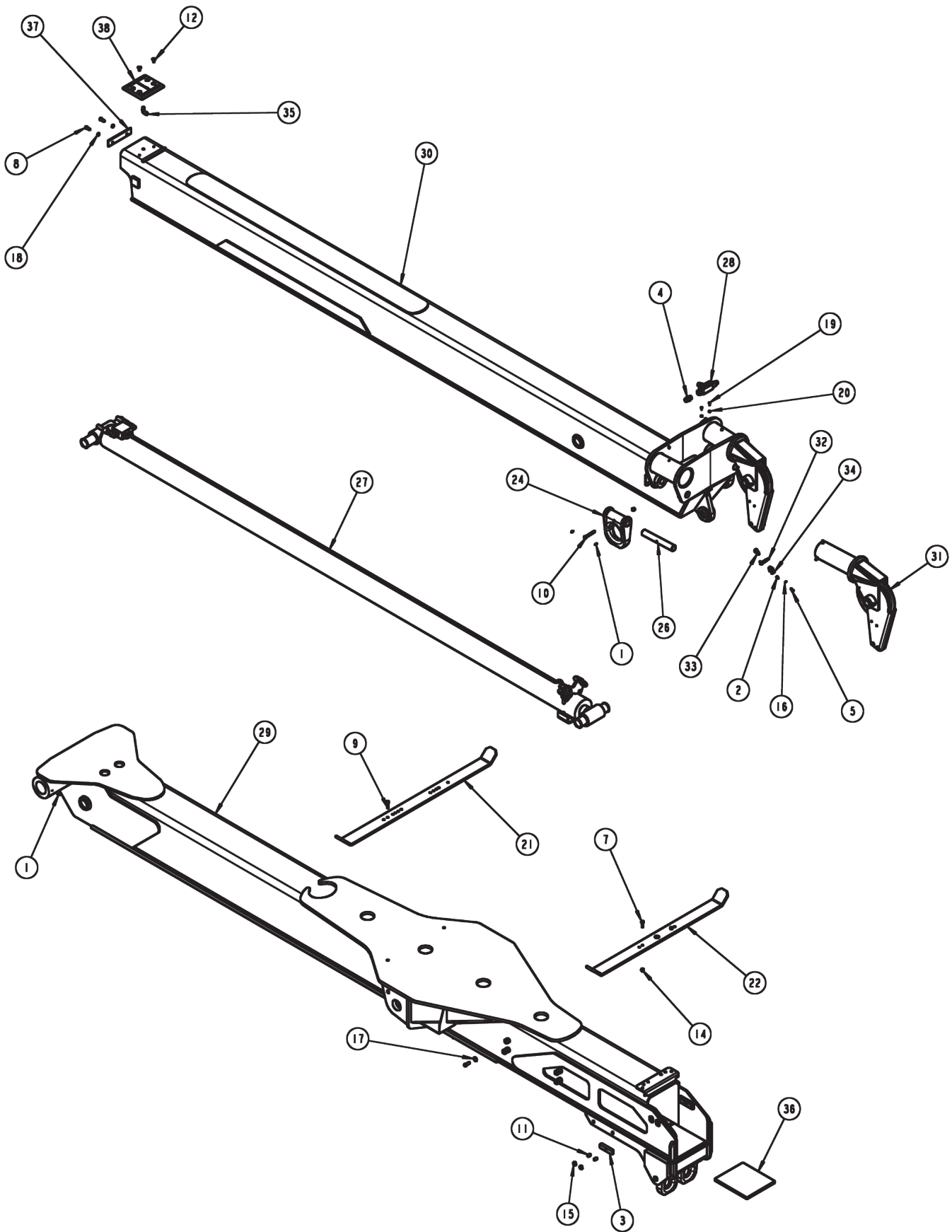


Section I - PARTS (cont'd)

MAXXPRO PK AIR SYSTEM KIT

ITEM	PART NUMBER	DESCRIPTION	QTY
1	0303365	BRACKET, MOUNTING	1
2	0310381	ALARM SWING	1
3	0311206	2 VALVE AIR BANK CC-DRESSED	1
4	0400009	#10-32 x .5 FLAT HEAD PHILLIPS	2
5	0400066	1/4-20 X 3/4 HHCS GR5 ZP	8
6	0400367	1/4-20 NYLOCK HEX NUT ZP	8
7	0402002	#8-32 L-LOC NUT	2
8	9010520	ELBOW, 1/4T-1/4NPT MALE	2
9	9011071	BRASS TEE, 1/4T-1/4T-1/4T	1
10	26837061	PLATE, COMPUTER SUPPORT	1
11	HA0131	AIR FILTER / REGULATOR COMBO	1
12	HA0132	GAUGE, AIR FILTER/REGULATOR	1
13	0301577	1/4 OD PLASTIC AIRLINE	5 FT.
14	0302495	CONVOLUTED LOOM, 1/4 (NOT SHOWN)	5 FT.

Section I - PARTS (cont'd)
MAXXPRO PK BOOM ASSEMBLY

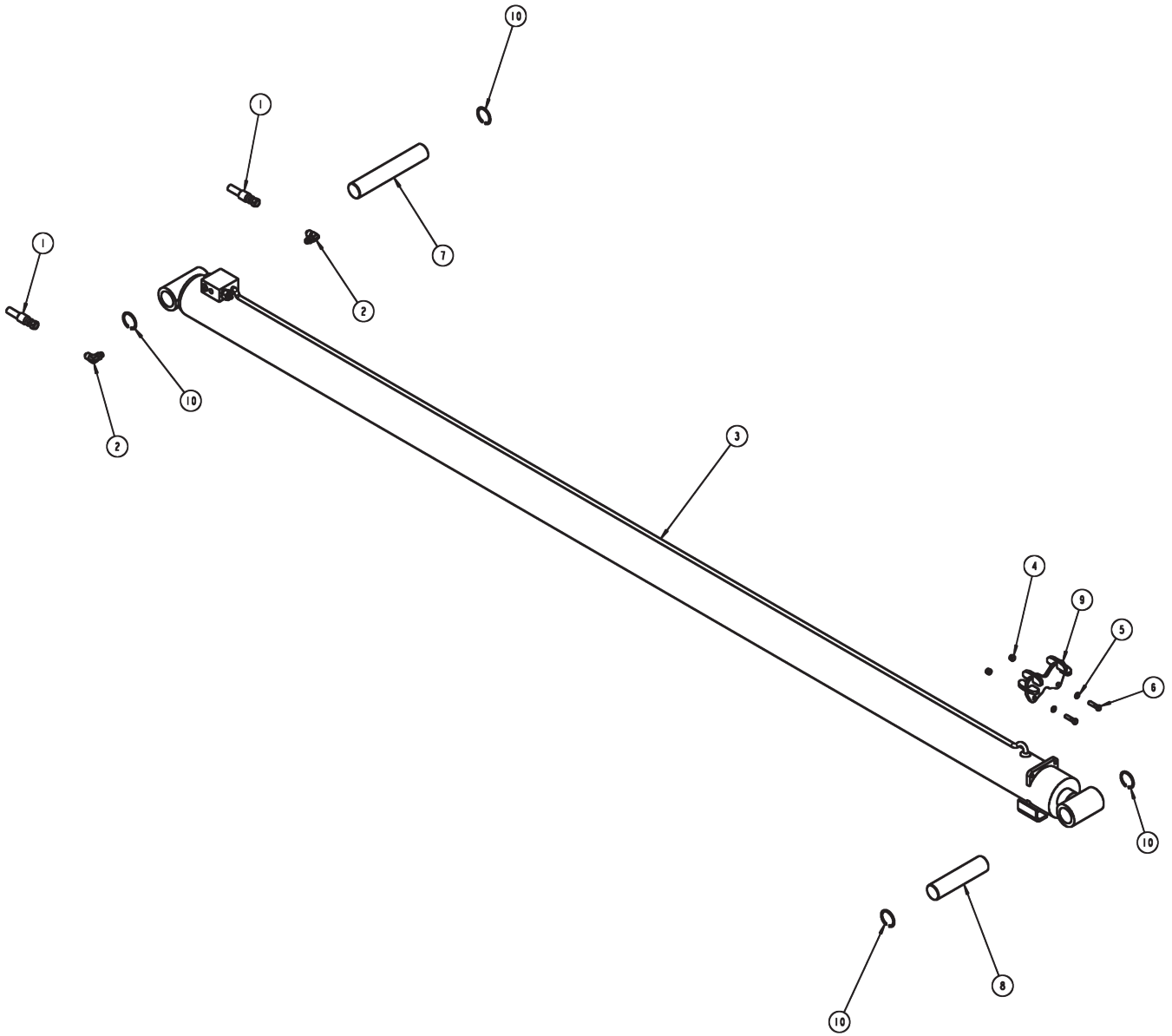


Section I - PARTS (cont'd)

MAXXPRO PK BOOM ASSEMBLY

ITEM	PART NUMBER	DESCRIPTION	QTY
1	0300113	GREASE FITTING, 1/4-28 STRAIGHT SS	8
2	0301895	GREASE FITTING, 1/8 NPT STRAIGHT	1
3	0303490	WEAR PAD (1/2 X 1 X 4)	2
4	0307514	CONNECTOR, DOME, STRAIGHT CAP	3
5	0400059	1/4-20 X 5/8 HHCS GR 5 ZP	2
6	0400078	1/4-20 X 2 HHCS GR5 ZP	1
7	0400122	3/8-16 X 1 1/4 HHCS GR.5, ZP	6
8	0400126	3/8-16 X 1 HHCS GR.5, ZP	2
9	0400132	3/8-16 X 1 1/2 HHCS GR.5, ZP	2
10	0400133	3/8-16 X 3 HHCS GR.5, ZP	2
11	0400204	1/2-13X3/4 SKT HD SET	4
12	0400349	SCREW, 3/8"-16 X 3/4" FL HD SKT	2
13	0400367	1/4-20 NYLOCK HEX NUT ZP	1
14	0400392	3/8-16 NYLOCK HEX NUT ZP	6
15	0400410	NUT, 1/2"-13 HEX JAM ZP	4
16	0400452	1/4 HELICAL LOCK WASHER ZP	2
17	0400480	3/8 FLAT WASHER ZP	4
18	0400482	3/8 HELICAL LOCK WASHER ZP	2
19	0402011	#10-32 X 5/8" PAN HEAD PHILLIPS	2
20	0402016	10-32 KEP NUT	2
21	0706042	CABLE WING, LONG 1040 & 1040B	1
22	0706043	CABLE WING, MED	1
23	0712380	"D" RING	2
24	0719585	"D" RING, TOWING	2
25	0722817	PIN, "D" RING	1
26	0722957	PIN "D" RING	2
27	0906490	KIT, EXTEND CYLINDER (7035)	1
28	26837175	CONDUIT BOX, MODIFIED	1
29	26838011	WELDMENT, OUTER BOOM	1
30	26838012	WELDMENT, INNER BOOM	1
31	26839020	SWIVEL BOOM ASSEMBLY	2
32	3012-793001	PLATE, LUBE MTG	1
33	9012549	CONNECTOR, 3/8 TUBE X 1/8 NPT	1
34	9012552	BULKHEAD COUPLING, 1/8	1
35	9012584	ELBOW, 1/4 NPT X 3/8 TUBE 90	1
36	930100002	LOWER WEAR PAD, RECOVERY	1
37	945030001	PAD RETAINING PLATE, UPPER	1
38	945030004	UPPER WEAR PAD, RECOVERY	1
39	0301949	AIRLINE, 3/8" O.D. SYNFLX HOSE (FEET)	16

Section I - PARTS (cont'd)
MAXXPRO PK BOOM EXTEND CYLINDER ASSEMBLY



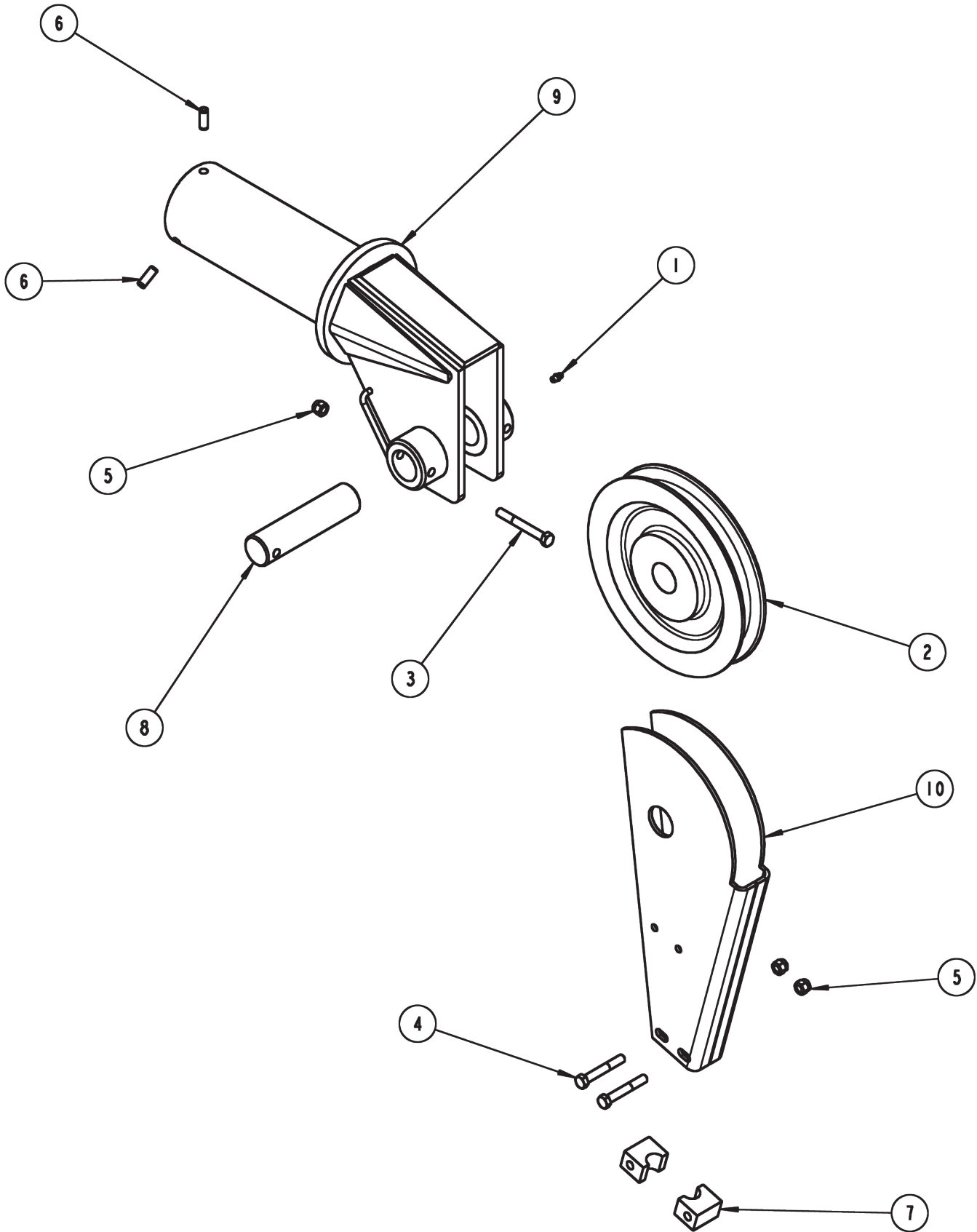
Section I - PARTS (cont'd)

MAXXPRO PK BOOM EXTEND CYLINDER ASSEMBLY

ITEM	PART NUMBER	DESCRIPTION	QTY
1	0301529	HOSE HYD, 58	2
2	0302276	ELB 90 DEG 2	
3	0306743	CYL, BOOM EXTEND	1
4	0400392	3/8-16 NYLOK HEX NUT ZINC	2
5	0400482	3/8" HELICAL LCKWSHR - ZP	2
6	0400771	3/8-16 X 1-1/2 HHCS GR 8	2
7	0715951	PIN, EXT CYL BASE 1	
8	0715952	PIN, EXT CYL ROD	1
9	0810012	SPIDER CLAMP	1
10	HD0151	SNAP RING, 2"INTERNAL	4

Section I - PARTS (cont'd)

MAXXPRO PK BOOM SWIVEL ASSEMBLY



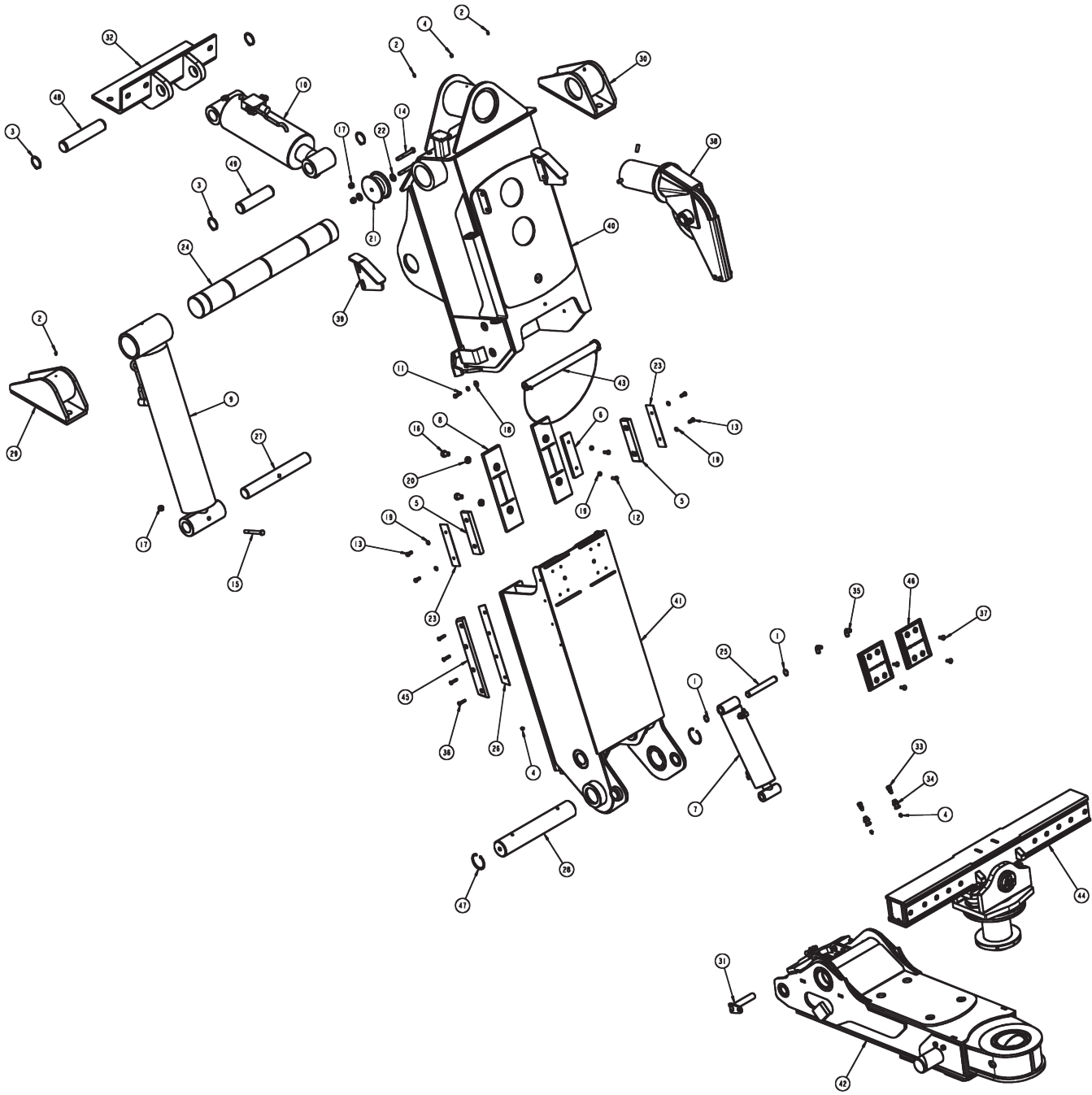
Section I - PARTS (cont'd)

MAXXPRO PK BOOM SWIVEL ASSEMBLY

ITEM	PART NUMBER	DESCRIPTION	QTY
1	0300113	GREASE FITTING, 1/4-28 STRAIGHT	1
2	0303441	SHEAVE, 10"	1
3	0400133	3/8-16 X 3 HHCS GR.5 ZP	1
4	0400150	3/8-16 X 2-1/2 HHCS GR5 ZP	2
5	0400392	3/8-16 NYLOCK HEX NUT ZP	3
6	0400554	3/8 X 1 ROLL PIM ZP	3
7	0700801	BOTTOM CABLE GUIDE	2
8	0716134	SHEAVE SHAFT	1
9	26838009	WELDMENT, BOOM END SWIVEL	1
10	26838010	WELDMENT, CABLE GUIDE	1

Section I - PARTS (cont'd)

MAXXPRO PK UNDERLIFT MAST ASSEMBLY

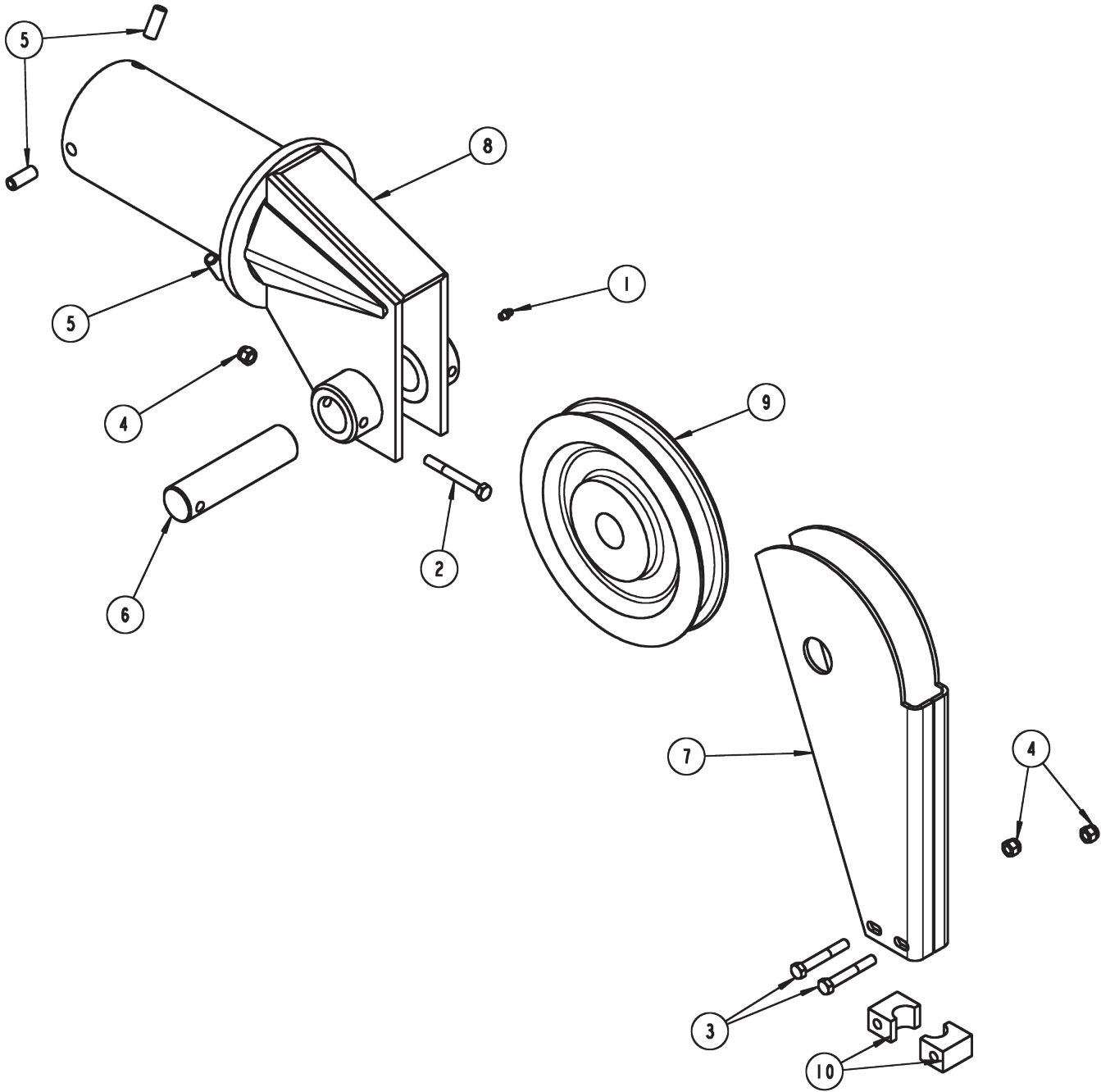


Section I - PARTS (cont'd)

MAXXPRO PK UNDERLIFT MAST ASSEMBLY

ITEM	PART NUMBER	DESCRIPTION	QTY
1	0300110	SNAP RING, 1"	2
2	0300113	GREASE FITTING, 1/4-28 STRAIGHT SS	6
3	0300329	SNAP RING, EXT 2"	4
4	0301895	GREASE FITTING, 1/8 NPT STRAIGHT	5
5	0301924	SLIDE PAD, BOOM SIDE	2
6	0303892	SLIDE PAD, BOOM SIDE	1
7	0306746	CYLINDER, HYDRAULIC FOLD	1
8	0307351	SLIDE PAD, SDU/2	2
9	0310477	CYL HYD-5.5 BORE/23.38 STROKE	1
10	0310478	CYLINDER, TILT	1
11	0400122	3/8-16 X 1 1/4 HHCS GR5 ZP	1
12	0400126	3/8-16 X 1 HHCS GR5 ZP	2
13	0400141	3/8-16 X 7/8 HHCS GR5 ZP	4
14	0400191	1/2-13 X 3 3/4 HHCS GR5 ZP	4
15	0400219	1/2-13 X 4-1/2 HHCS GR5 ZP	1
16	0400248	5/8-11 X HHCS GR 8 ZP	4
17	0400408	1/2-13 NYLOCK HEX NUT ZP	5
18	0400480	3/8 FLAT WASHER ZP	1
19	0400482	3/8 HELICAL LOCK WASHER ZP	7
20	0400508	5/8 HELICAL LOCK WASHER ZP	4
21	0703484	PULLEY, HOSE TENSIONER	2
22	0703488	WASHER, HOSE TENSIONER PULLEY	4
23	0703734	SHIM, SIDE PLATE, OUTER BOOM	2
24	0709242	MAIN PIVOT PIN	1
25	0714240	PIVOT PIN, FOLD CYL	1
26	0718912	VERTICAL BOOM GUIDE SHIM	2
27	0722413	PIN, LIFT CYLINDER	1
28	0724401	PIN, UNDERLIFT PIVOT LDU/HHU	1
29	0804035	LEFT PIVOT SUPPORT WELDMENT	1
30	0804036	RIGHT PIVOT SUPPORT WELDMENT	1
31	0806756	PIN WELDMENT, FOLD CYLINDER	1
32	0807501	TILT CYLINDER BRACKET WELDMENT	1
33	9012549	CONNECTOR, 3/8 TUBE X 1/8 NPT	2
34	9012552	BULKHEAD COUPLING, 1/8	2
35	9012584	ELBOW, 1/4 NPT X 3/8 TUBE 90	2
36	9043973	SCREW, 5/16"-16 X 1-1/2" FL HD SKT	8
37	9044434	3/8-16X1 NC FLAT	4
38	24779028	SWIVEL ASSEMBLY	1
39	26838019	CROSSBAR CENTERING LUG	2
40	26838030	OUTER MAST WELDMENT	1
41	26838031	INNER MAST WELDMENT	1
42	26839039	U/L BOOM ASSEMBLY	1
43	26839041	PIN ASSEMBLY, FOLD STOP	1
44	26839074	ARTICULATING CROSSBAR ASSEMBLY	1
45	805040011	VERTICAL BOOM GUIDE	2
46	945030004	UPPER WEAR PAD, RECOVERY	2
47	HD0152	SNAP RING, 3" INTERNAL	2
48	0722414	PIN, TILT CYLINDER BASE END	1
49	0722415	PIN, TILT CYLINDER	1
50	09008693	LDU GREASE HOSE KIT (NOT SHOWN)	1

Section I - PARTS (cont'd)
MAXXPRO PK SWIVEL ASSEMBLY



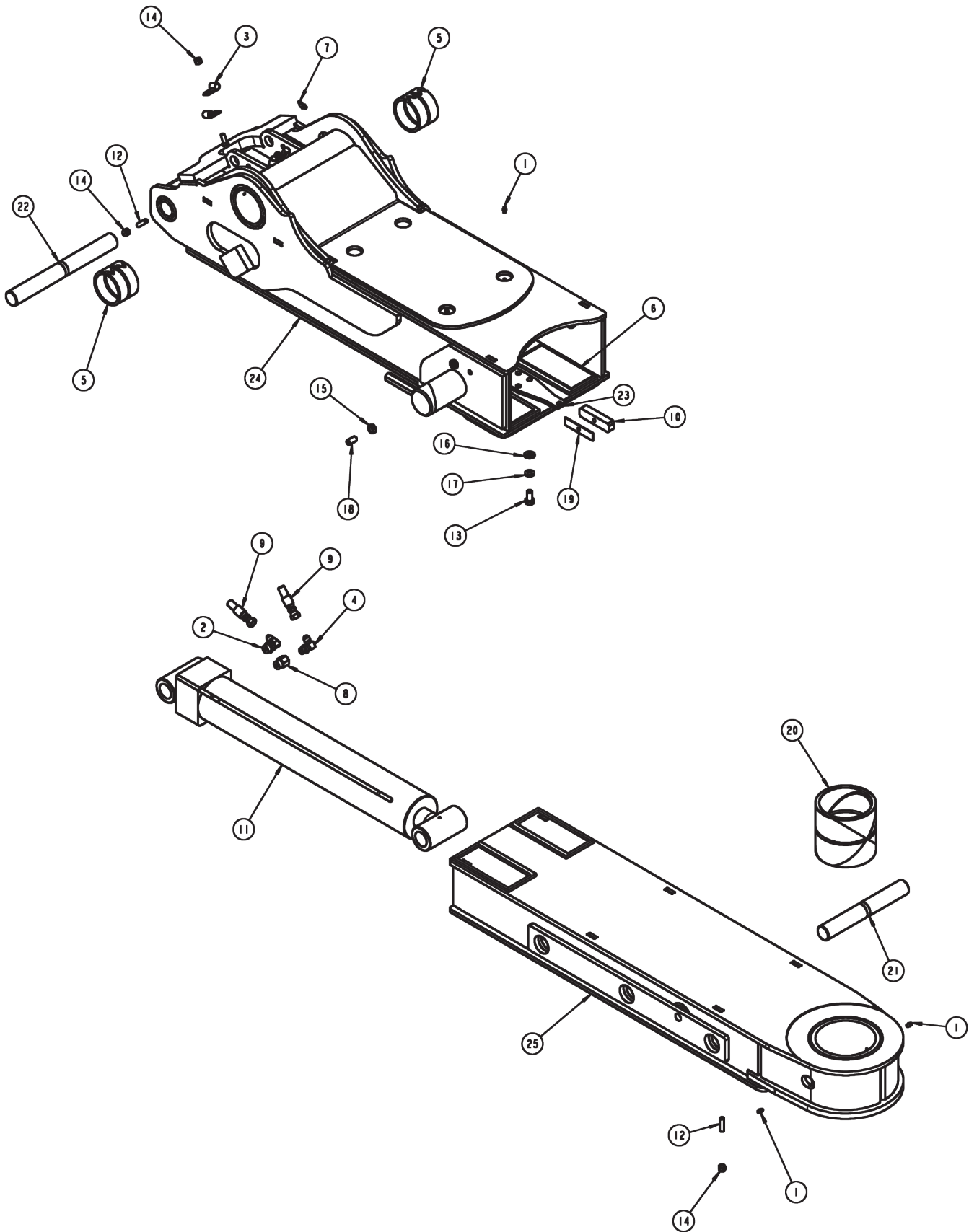
Section I - PARTS (cont'd)

MAXXPRO PK SWIVEL ASSEMBLY

ITEM	PART NUMBER	DESCRIPTION	QTY
1	0300113	GREASE FITTING, 1/4-28 STRAIGHT	1
2	0400133	3/8-16 X 3 HHCS GR.5, ZP	1
3	0400150	3/8-16 X 2-1/2 HHCS GR5 ZP	2
4	0400392	3/8-16 NYLOCK HEX NUT ZP	3
5	0400554	ROLL PIN, 3/8" ZP	3
6	0716134	SHEAVE SHAFT	1
7	0803313	CABLE GUIDE	1
8	0804315	SWIVEL BOOM END WLMT	1
9	24773024	SHEAVE, 10"	1
10	24777178	BOTTOM CABLE GUIDE	2

Section I - PARTS (cont'd)

MAXXPRO PK UNDERLIFT BOOM ASSEMBLY



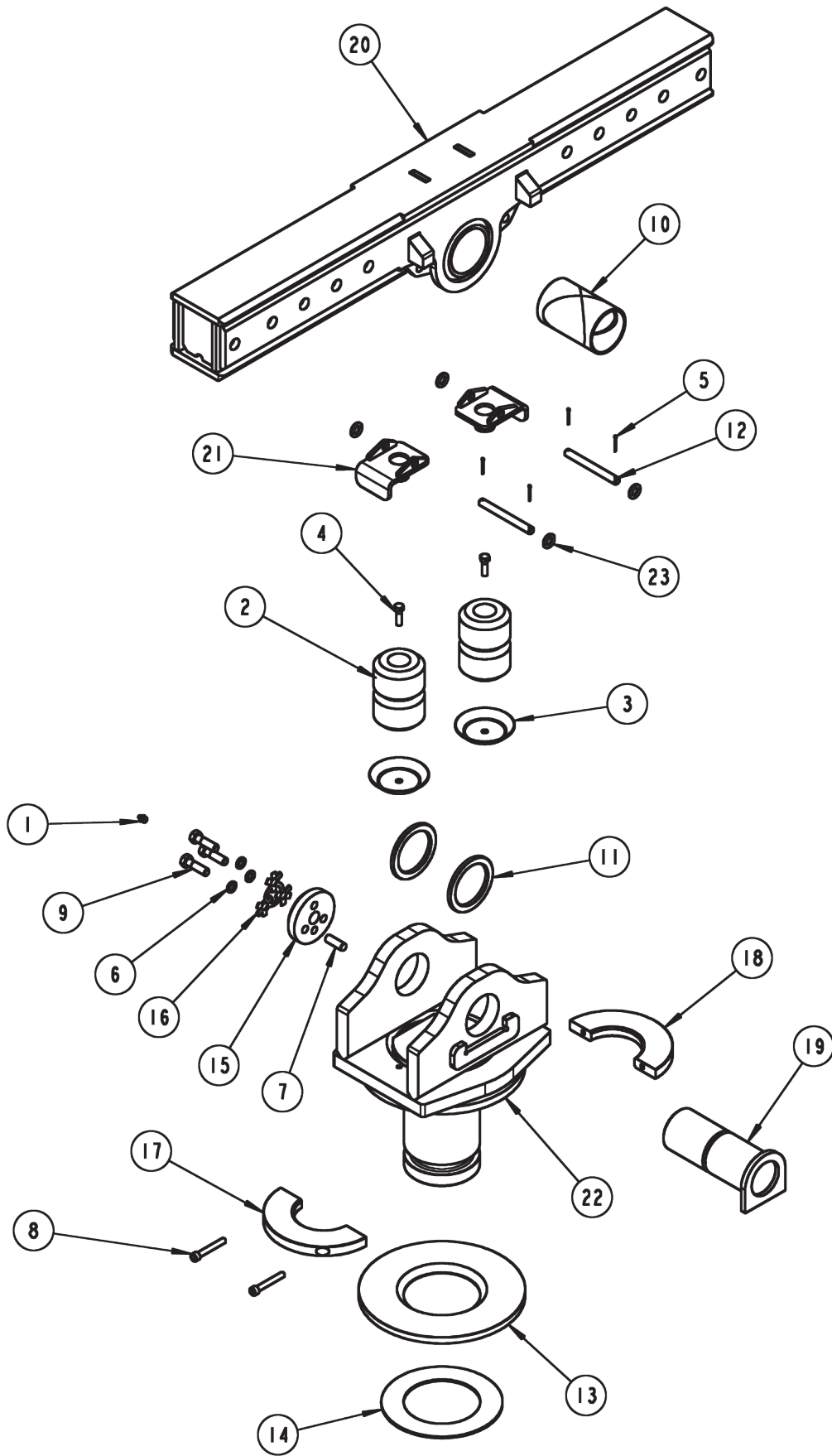
Section I - PARTS (cont'd)

MAXXPRO PK UNDERLIFT BOOM ASSEMBLY

ITEM	PART NUMBER	DESCRIPTION	QTY
1	0300113	GREASE FITTING, 1/4-28 STRAIGHT	4
2	0301470	HYDRAULIC ELBOW 6MJ-8MB90	1
3	0301601	HOSE CLAMP, 5/8" INSULATED	4
4	0301620	ELBOW, 6MJ-6MB901	
5	0302538	SPRING BUSHING, 3.5OD X 3ID X 2.5	2
6	0302561	SLIDE PAD	4
7	0302726	GREASE FITTING, 1/4"-28 X 45°	2
8	0303017	CONNECTOR 8MBX6FB	1
9	0303187	HOSE ASSEMBLY, 141" LG	2
10	0306825	PAD, WEAR	2
11	0310707	HYD CYLINDER, SPADE	1
12	0400139	SCREW, 3/8"-16 X 1-1/2" HEX SKT SET	2
13	0400216	1/2-20 X 1 HHCS GR 5 ZP	4
14	0400392	3/8-16 NYLOCK HEX NUT ZP	4
15	0400410	NUT, 1/2"-13 HEX JAM ZP	4
16	0400467	WASHER, SAE 1/2" HARDENED PL	4
17	0400491	1/2 HELICAL LOCK WASHER ZP	4
18	0400989	1/2-13 X 1/2 SKT HD SET SCREW ZP	4
19	0717262	SHIM, SLIDE PAD	2
20	26833108	BUSHING	1
21	26837139	PIN, EXTEND CYLINDER	1
22	26837140	PIN OUTRIGGER TOP	1
23	26837155	PLATE, STOP	1
24	26838027	OUTER U/L BOOM WELDMENT	1
25	26838057	INNER UL BOOM WELDMENT	1

Section I - PARTS (cont'd)

MAXXPRO PK ARTICULATING CROSSBAR ASSEMBLY



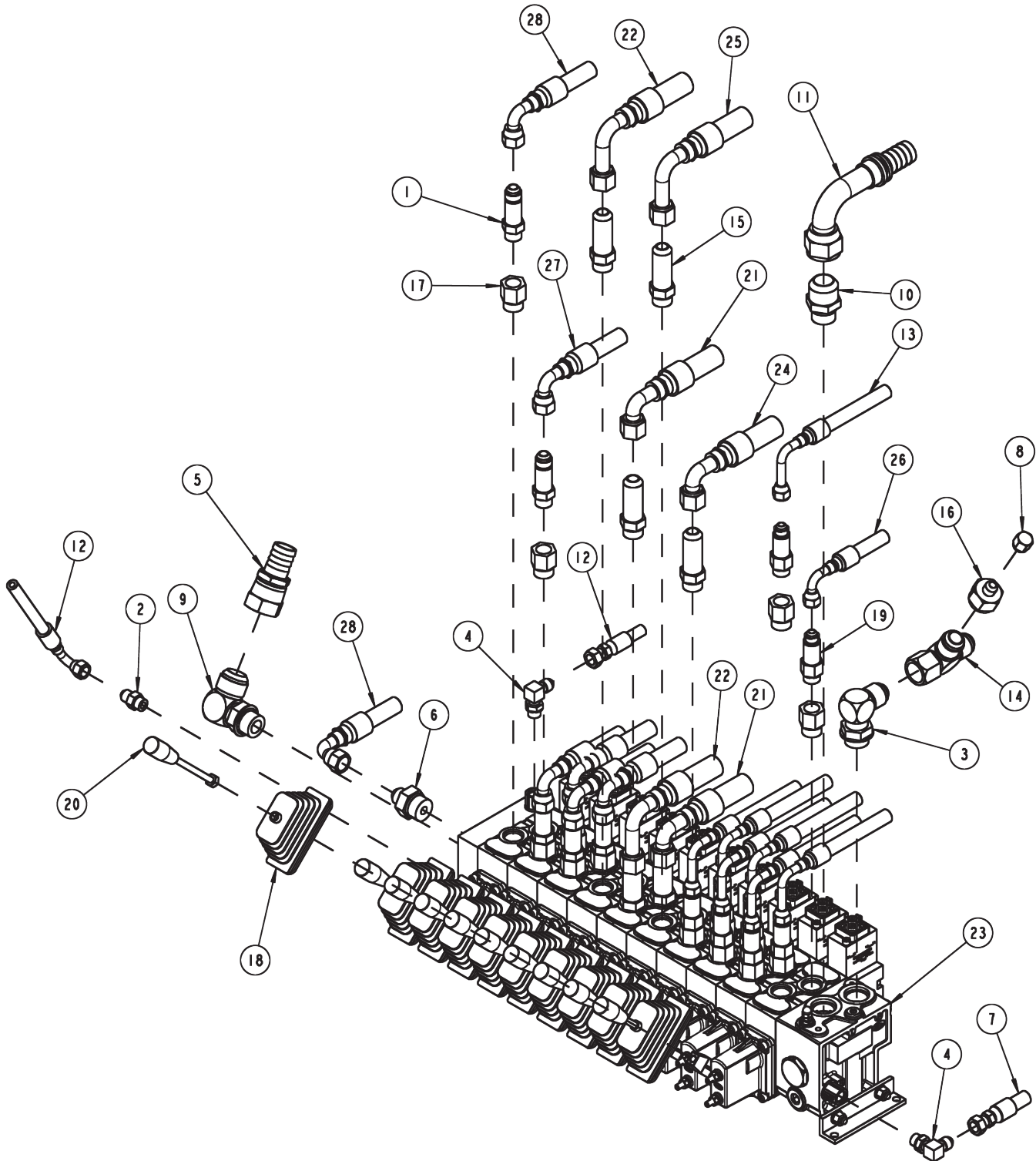
Section I - PARTS (cont'd)

MAXXPRO PK ARTICULATING CROSSBAR ASSEMBLY

ITEM	PART NUMBER	DESCRIPTION	QTY
1	0301895	GREASE FITTING, 1/8 NPT STRAIGHT	1
2	0310911	TIMBREN SPRING	2
3	0310912	CUP, TIMBREN SPRING	2
4	0400122	3/8-16 X 1 1/4 HHCS GR.5, ZP	2
5	0400540	COTTER PIN, 3/32" X 1"	4
6	0400891	1/2" NORDLOCK WASHER	3
7	0400920	1/2" DIA. X 1 1/2 LG STD DOW	1
8	0400984	SCREW, 3/8"-16 X 2-1/2" SKT HD CAP	2
9	9041404	1/2-13 X 1-3/4 LG. HHCS GR.8	3
10	18563003	BUSHING	1
11	25857017	PLATE, SPACER RING	2
12	25857019	PIN, STOP PIVOT	2
13	26833109	THRUST WASHER, 1/2" THICK	1
14	26833110	THRUST WASHER, 1/8 THICK	1
15	26837222	PLATE, CROSSBAR KEEPER	1
16	26837230	PLATE, BOLT LOCK	1
17	26837286	COLLAR, TOP	1
18	26837287	COLLAR-BOTTOM	1
19	26838050	CROSSBAR PIVOT PIN WELDMENT	1
20	26838058	CROSSBAR WELDMENT 5 X 5	1
21	26838061	STOP WELDMENT	2
22	26838066	YOKE WLDMT ARTICULATING CROSSBAR	1
23	DE1381	1/2" FLAT WASHER	4

Section I - PARTS (cont'd)

MAXXPRO PK CONTROL VALVE ASSEMBLY



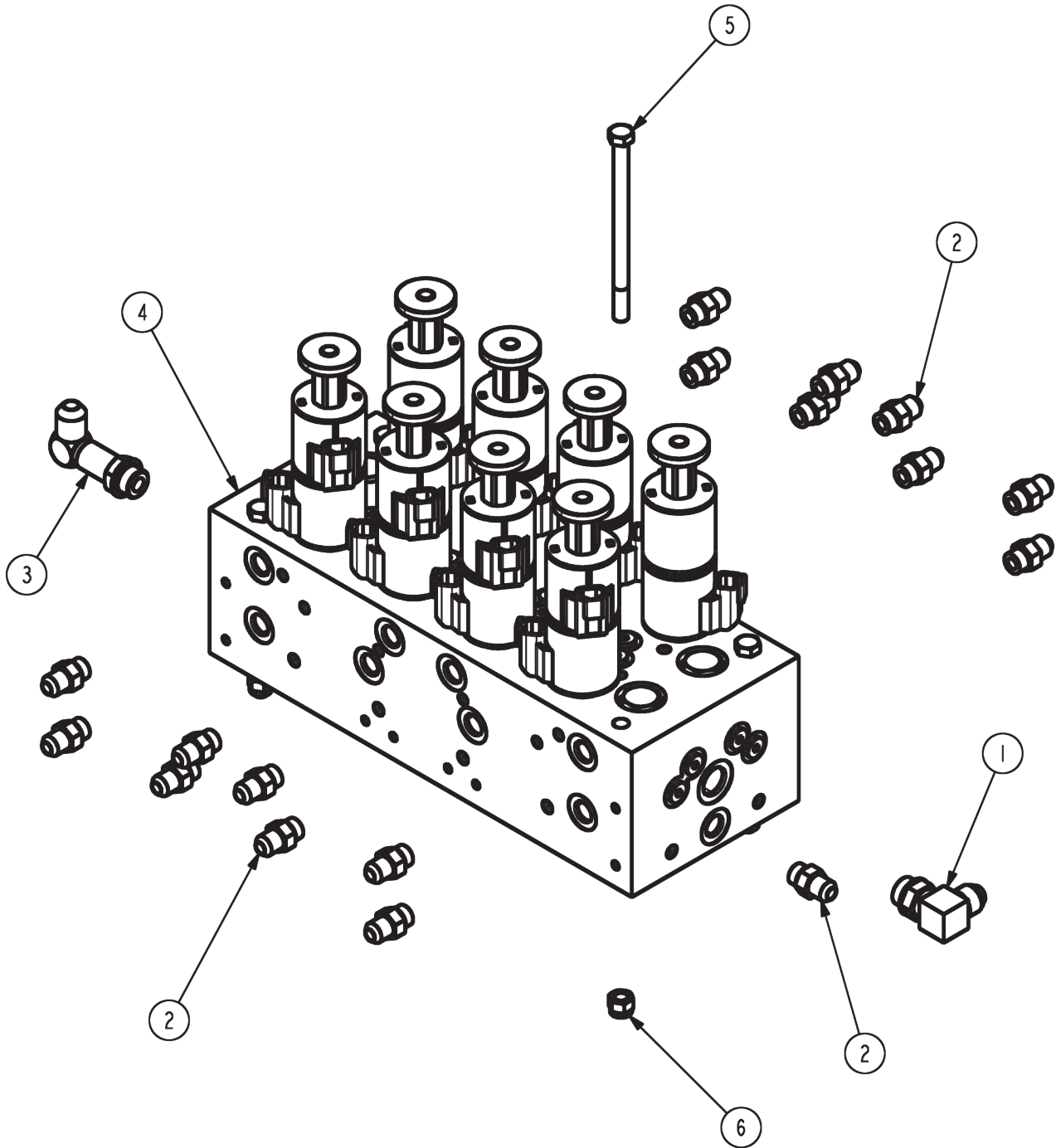
Section I - PARTS (cont'd)

MAXXPRO PK CONTROL VALVE ASSEMBLY

ITEM	PART NUMBER	DESCRIPTION	QTY
1	0301445	CONNECTOR, 8MJ-8MBL	6
2	0301522	CONNECTOR 6MJ-6MB	1
3	0301545	ELBOW, 12MJ-12MB90	1
4	0301620	ELBOW, 6MJ-6MB902	
5	0301767	BARB, 16C4-16FJX	1
6	0301780	CONNECTOR, 8MJ-12MB	1
7	0302056	HOSE ASSY, 183" LG.	1
8	0302065	CAP, 6FJ	1
9	0302083	16MJ-12MB 90 ELBOW	1
10	0302169	O-RING CONNECTOR	1
11	0302170	BENT TUBE SWIVEL, 16C2-16FJX90S	1
12	0302532	HOSE ASSEMBLY, 183" LG	1
13	0302585	HOSE ASSY, 54" LG 7	
14	0302826	RUN TEE, 12MJ-12FJX-12MJ	1
15	0302828	CONNECTOR 10MJX10MBL	6
16	0302829	ADAPTER, 12FJ-6MJ	1
17	0303176	CONNECTOR 10MPX8FB	14
18	0310148	BOOT, CONTROL HANDLE	10
19	0310289	CONNECTOR, 6MJ-8MBL	8
20	0310398	HANDLE, DIVERTER VALVE	10
21	24773017	HOSE ASSEMBLY, 140" LG	2
22	24773018	HOSE ASSEMBLY, 92" LG	2
23	25353001	VALVE, CONTROL	1
24	26833079	HOSE ASSEMBLY, 92" LG	1
25	26833080	HOSE ASSEMBLY, 92" LG	1
26	26833082	HOSE ASSEMBLY, 60" LG	1
27	AWS-6821-A	HOSE ASSEMBLY, 140" LG	7
28	0400109	5/16-18X1 HHCS GR5 ZP (NOT SHOWN)	4
29	0400382	5/16-18 NYLOK HEX NUT ZP (NOT SHOWN)	4
30	26833070	OMNEX 11 FXN KIT LESS HARNESS (N.S.)	1

Section I - PARTS (cont'd)

MAXXPRO PK OUTRIGGER VALVE ASSEMBLY



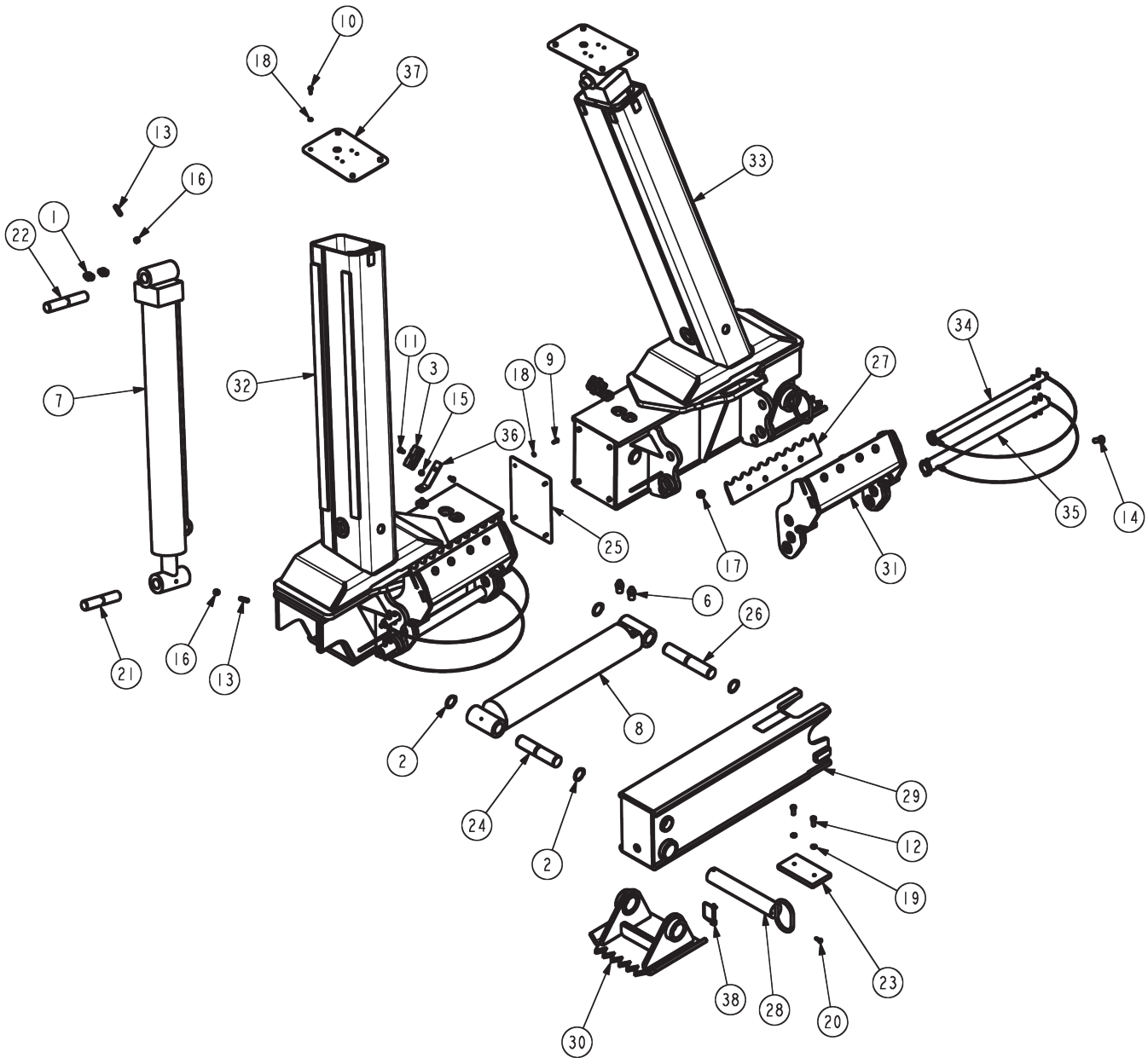
Section I - PARTS (cont'd)

MAXXPRO PK OUTRIGGER VALVE ASSEMBLY

ITEM	PART NUMBER	DESCRIPTION	QTY
1	0301388	ELBOW, 8MJ-8MB90	1
2	0301522	CONNECTOR 6MJ-6MB	17
3	0302508	ELBOW, 8MJ-8MB90LL	1
4	0310358	VALVE, SOLENOID 12V OUTRIG CTRL	1
5	0400143	3/8-16 X 5 1/2 HHCS GR5 ZP	4
6	0400392	3/8-16 NYLOCK HEX NUT ZP	4
7	26833045	HARNESS, OUTRIGGER WIRING (N.S.)	1

Section I - PARTS (cont'd)

MAXXPRO PK REAR OUTRIGGER ASSEMBLY



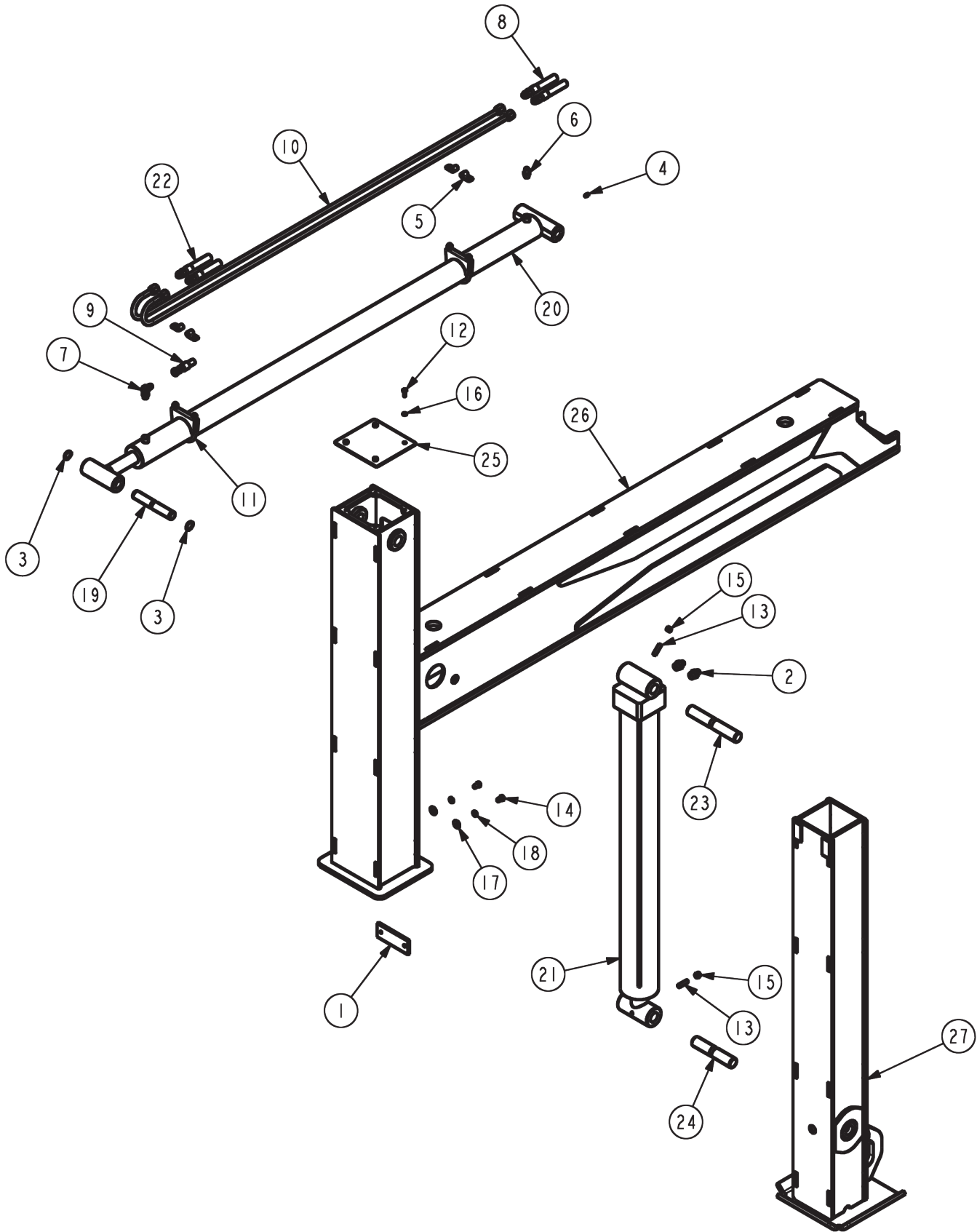
Section I - PARTS (cont'd)

MAXXPRO PK REAR OUTRIGGER ASSEMBLY

ITEM	PART NUMBER	DESCRIPTION	QTY
1	0300044	CONNECTOR 6MJX8MB	4
2	0300109	RETAINING RING, 1-1/2"	8
3	0302546	CLAMPING UNIT (SET) HC-10-2	2
4	0302550	SPLIT BUSH RUBBER C-SB10-12 3/4	4
5	0302551	SOCKET HEAD C-SN-10	2
6	0302727	CONNECTOR, 6MJ-8MP	4
7	0307843	CYLINDER, 4" BORE 30" STROKE	2
8	0310145	CYLINDER ASSEMBLY	2
9	0400059	1/4-20 X 5/8 HHCS GR5 ZP	8
10	0400066	1/4-20 X 3/4 HHCS GR5 ZP	8
11	0400118	5/16-18 X 3/4 HHCS GR5 ZP	4
12	0400126	3/8-16 X 1 HHCS GR5 ZP	4
13	0400139	SCREW, 3/8"-16 X 1-1/2" HEX SKT SET	4
14	0400193	1/2-13 X 1-1/2 FLAT HEAD SKT CAP SCREW	8
15	0400382	5/16-18 NYLOCK HEX NUT ZP	2
16	0400392	3/8-16 NYLOCK HEX NUT ZP	4
17	0400416	1/2-13 NYLOCK HEX NUT GR8 ZP	8
18	0400452	1/4 HELICAL LOCKWASHER ZP	16
19	0400482	3/8 HELICAL LOCKWASHER ZP	4
20	0402020	1/4-20 X 3/4 HHCS SS	2
21	0713128	SHAFT, LOWER SPADE	2
22	0713129	SHAFT, UPPER SPADE	2
23	0716645	SPACER, BOTTOM	2
24	0719535	PIN, EXTEND CYLINDER (ROD END)	2
25	0719539	COVER, END REAR HORIZ OUTRIGGER	2
26	0719540	PIN, EXTEND CYLINDER (BASE END)	2
27	0724616	BLADE, FLIPPER PAD WELDMENT	2
28	0805893	PIN WLDT REAR OUTRIGGER PIN	2
29	0807201	2ND STAGE OUTRIGGER BOOM (9055)	2
30	0807635	PAD WELDMENT	2
31	0810034	SPADE WELDMENT, REAR OUTRIGGER	2
32	0810586	LH OUTRIGGER WLMT-15 SPADE	1
33	0810588	RH OUTRIGGER WLMT-15 SPADE	1
34	0911123	RETAINER PIN ASSEMBLY	2
35	0911124	RETAINER PIN ASSEMBLY	2
36	07011765	BAR, MAXXPRO HOSE CLAMP	2
37	26837177	COVER PLATE	2
38	HD1259	PIN, SAFETY SNAP	2

Section I - PARTS (cont'd)

MAXXPRO PK FRONT OUTRIGGER ASSEMBLY



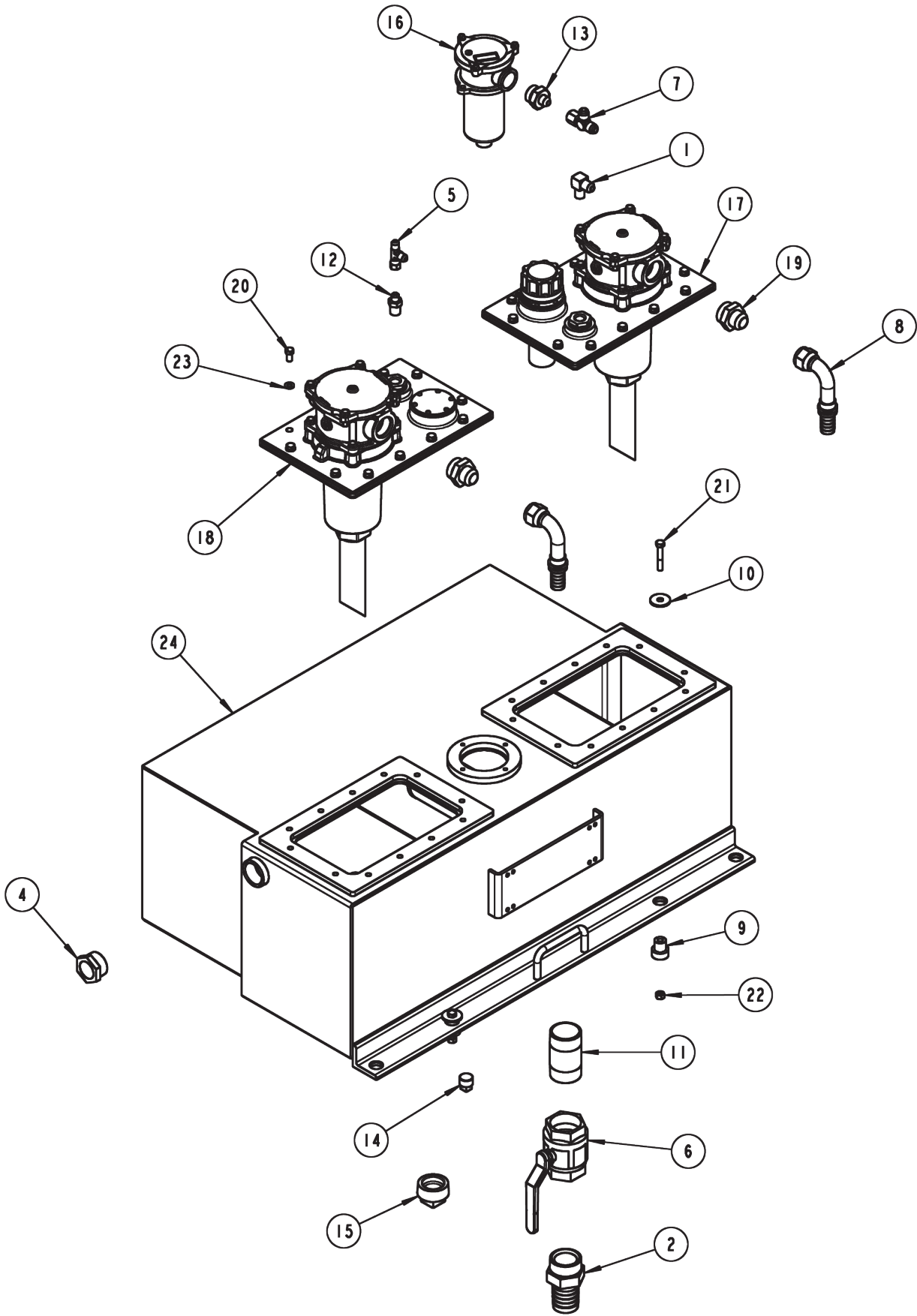
Section I - PARTS (cont'd)

MAXXPRO PK FRONT OUTRIGGER ASSEMBLY

ITEM	PART NUMBER	DESCRIPTION	QTY
1	3012-794003	BAR, SPACER	1
2	0300044	CONNECTOR, 6MJX8MB	2
3	0300110	SNAP RING, 1"	2
4	0300113	GREASE FITTING, 1/4-28 STRAIGHT SS	1
5	0301487	HOSE CLAMP, 1/2"	4
6	0301522	CONNECTOR 6MJ-6MB	1
7	0301620	FITTING, ELBOW, 6MJ-6MB90	1
8	0303186	HOSE ASSEMBLY, 82" LG	2
9	0303187	HOSE ASSEMBLY, 141" LG	1
10	0307022	HYDRAULIC TUBING	2
11	0307023	SADDLE CLAMP, 2-3/4"	2
12	0400066	1/4-20 X 3/4 HHCS GR5 ZP	4
13	0400139	SCREW, 3/8"-16 X 1-1/2" HEX SKT SET	2
14	0400149	3/8-16 X 5/8 HHCS GR5 ZP	2
15	0400392	3/8-16 NYLOCK HEX NUT ZP	2
16	0400452	1/4 HELICAL LOCKWASHER ZP	4
17	0400480	3/8 FLAT WASHER ZP	2
18	0400482	3/8 HELICAL LOCKWASHER ZP	2
19	0705499	SHAFT, UPPER SPADE	1
20	24773004	CYLINDER, OUTRIGGER EXTEND	1
21	26833001	CYLINDER, 4" BORE 30" STROKE	1
22	26833033	HOSE ASSEMBLY, 126" LG	2
23	26837031	SHAFT, CYLINDER UPPER	1
24	26837032	SHAFT, CYLINDER LOWER	1
25	26837049	PLATE, OUTRIGGER COVER	1
26	26838043	OUTRIGGER BEAM WELDMENT	1
27	26838082	OUTRIGGER VERTICAL INNER WELDMENT	1

Section I - PARTS (cont'd)

MAXXPRO PK RESERVOIR ASSEMBLY



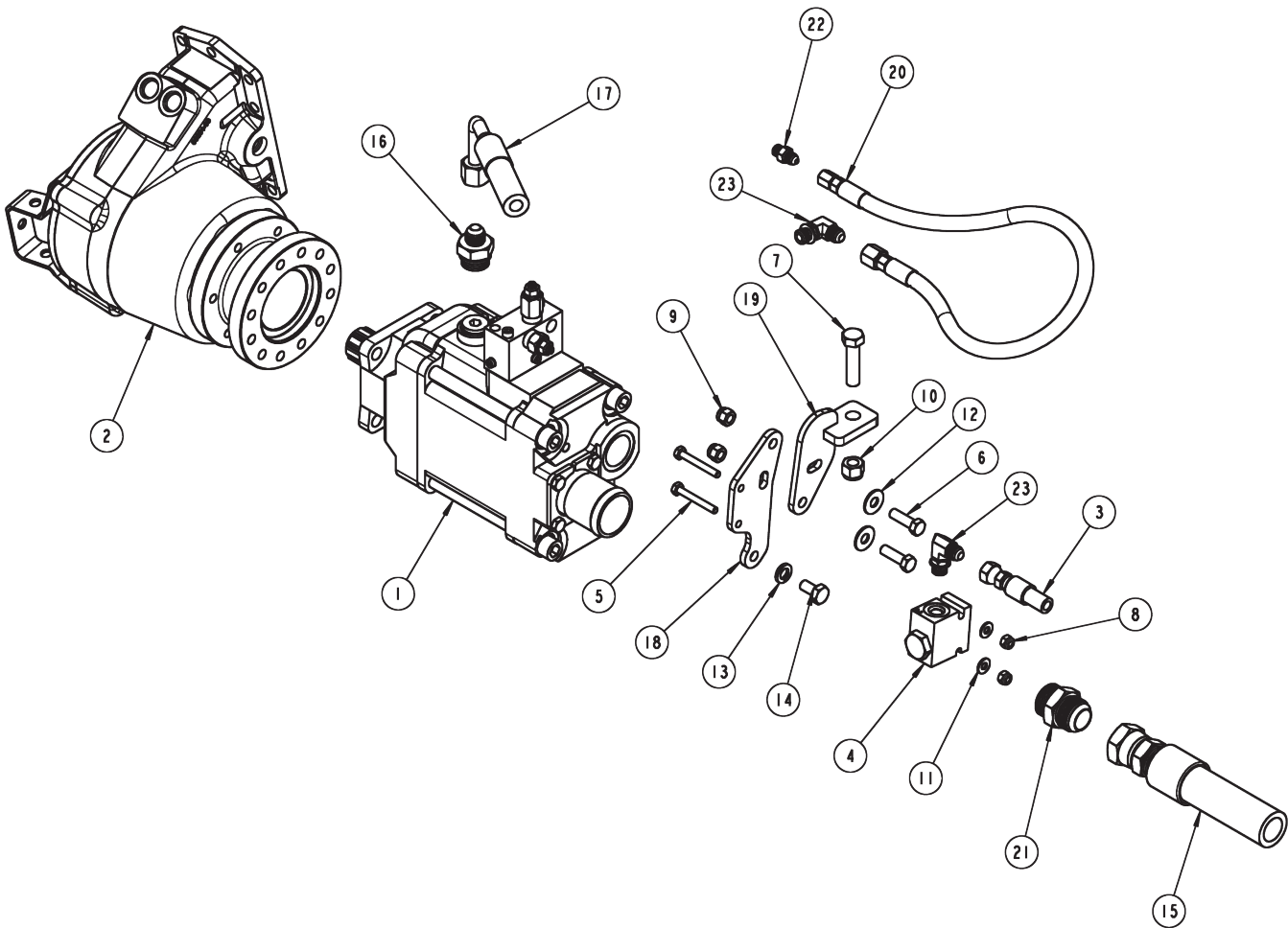
Section I - PARTS (cont'd)

MAXXPRO PK RESERVOIR ASSEMBLY

ITEM	PART NUMBER	DESCRIPTION	QTY
1	0300229	ELBOW, 8MJ-8MP90	1
2	0300434	HOSE BARB, 1 1/4-20-20MP	1
3	0300593	STREET ELBOW, 2" 90°	1
4	0301541	SIGHT GAUGE, TYPE S-1	1
5	0301781	TEE, SWIVEL NUT RUN	1
6	0301961	BALL VALVE, 3/4 BRASS	1
7	0302052	RUN TEE, 8MJ-8MJ-8FJX	1
8	0302170	BENT TUBE SWIVEL, 16C2-16FJX90S	2
9	0302227	CENTER BONDED MOUNT	4
10	0302228	SPECIAL WASHER	4
11	0302367	PIPE NIPPLE, 2" X 4"	2
12	0302727	CONNECTOR, 6MJ-8MP	1
13	0302757	CONNECTOR, 8MJ-12MB	1
14	0303155	PIPE PLUG, 3/4 NPT (MAGNETIC)	1
15	0306921	PIPE PLUG, 2" SQ HD	1
16	0310296	IMMERSION FILTER ASSEMBLY	1
17	0310429	TANK COVER, FILTER & FILLER/BREATHER	1
18	0310430	TANK COVER & FILTER	1
19	0310432	HYDRAULIC ADAPTER, 16MJ-20MB	2
20	0400121	3/8-16NC X 3/4 HHCS GR8	24
21	0400146	3/8-16 X 2-1/4 HHCS GR5 ZP	4
22	0400391	3/8-16 HEX NUT	4
23	0400482	3/8 HELICAL LOCK WASHER ZP	24
24	0807412	HYDRAULIC TANK WELDMENT ROTATOR	1

Section I - PARTS (cont'd)

MAXXPRO PK PTO & PUMP ASSEMBLY

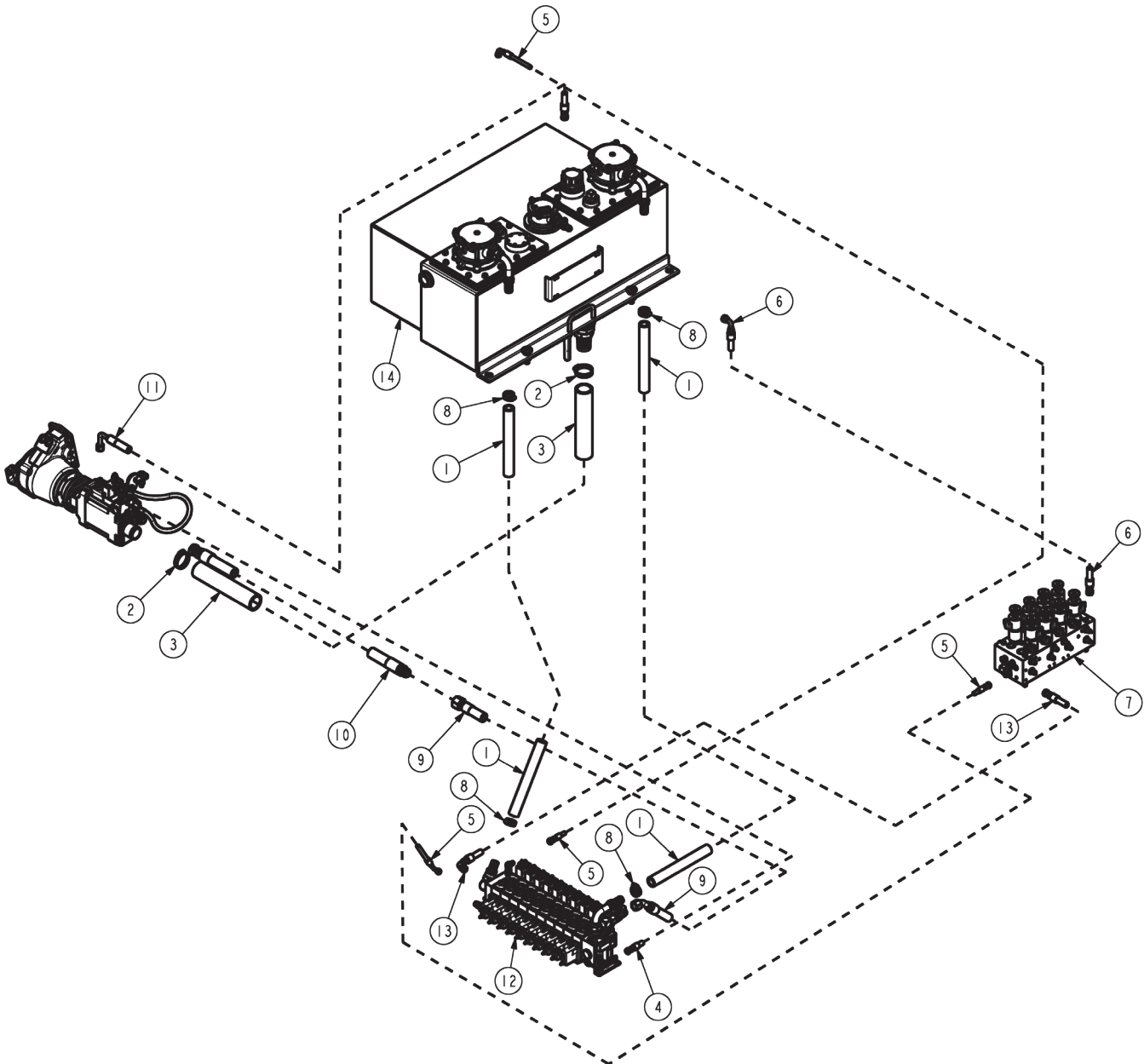


Section I - PARTS (cont'd)

MAXXPRO PK PTO & PUMP ASSEMBLY

ITEM	PART NUMBER	DESCRIPTION	QTY
1	26833067	PUMP	1
2	26833066	PTO	1
3	0303188	HOSE ASSY, 75" LG	1
4	0307311	FILTER SCREEN, INLINE	1
5	0400078	1/4-20 X 2 HHCS GR5 ZP	2
6	0400122	3/8-16 X 1 1/4 HHCS GR5 ZP	2
7	0400188	1/2-13X2 HHCS GR5 ZP	1
8	0400367	1/4-20 NYLOCK HEX NUT ZP	2
9	0400392	3/8-16 NYLOCK HEX NUT ZP	2
10	0400408	1/2-13 NYLOCK HEX NUT ZP	1
11	0400451	1/4 FLAT WASHER ZP	2
12	0400480	3/8 FLAT WASHER ZP	2
13	0400487	7/16 HELICAL LOCK WASHER ZP	1
14	0400710	HHCS, 10MM - 1.5 THD X 20MM GR10.9	1
15	26833009	HOSE ASSY, 1" X 144" LONG	1
16	26833037	CONNECTOR, 12MBSPPOR-8MJ	1
17	26833065	HOSE ASSY, 150" LONG	1
18	26837179	PLATE, PUMP SUPPORT	1
19	26838015	PUMP SUPPORT WELDMENT	1
20	26833006	HOSE ASSY, 1/4" X 18" LG	1
21	25783082	CONNECTOR, 16MBSPPOR-16MJ	1
22	26833035	CONNECTOR, 4MBSPPOR-6MJ	1
23	0301620	6MJ-6MB90	2
24	0300364	CLAMP-HOSE, 0.875"-2.75" 50" LBS	4
25	0300558	HOSE, SUCTION 2"ID 100R4 (C4)	8
26	0303290	INSULATED CLAMP, 2 1/2	4
27	0400126	3/8-16 X 1 HHCS GR5 ZP	2
28	0711438	BRKT, HOSE	2

Section I - PARTS (cont'd)
MAXXPRO PK PUMP, VALVE & FILTER HYDRAULICS



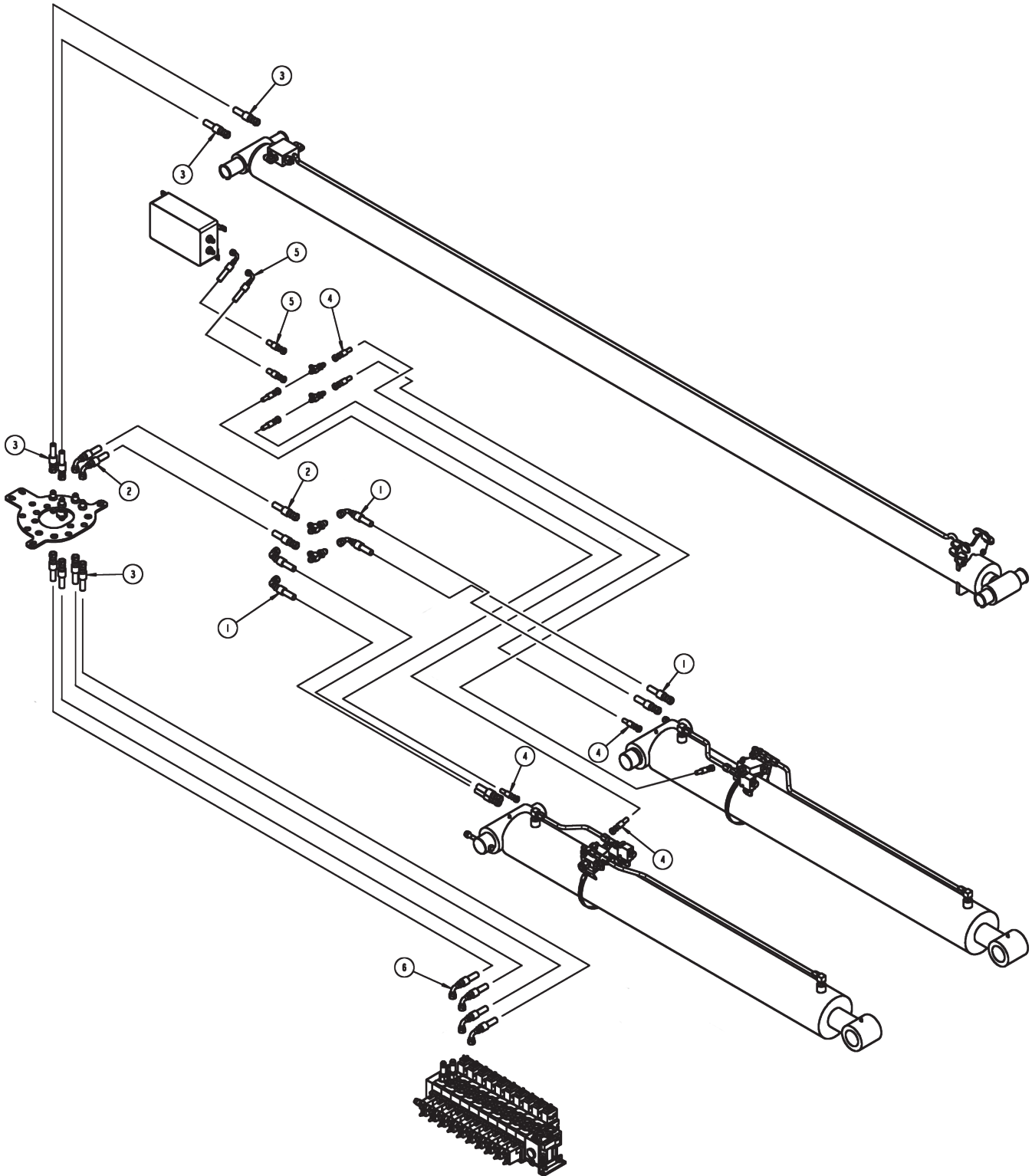
Section I - PARTS (cont'd)

MAXXPRO PK PUMP, VALVE & FILTER HYDRAULICS

ITEM	PART NUMBER	DESCRIPTION	QTY
1	0300058	SUCTION HOSE, 1" I.D. 16C4	4
2	0300364	HOSE CLAMP, 7/8" TO 2-3/4"	2
3	0300558	SUCTION HOSE, 2" I.D. 100R4	2
4	0302056	HOSE ASSEMBLY, 183" LG	1
5	0302532	HOSE ASSEMBLY, 183" LG	2
6	0302610	HOSE ASSEMBLY, 36"	1
7	09008690	OUTRIGGER VALVE ASSEMBLY	1
8	9018016	HOSE CLAMP, HS-20 1-1/4"	4
9	24773027	HOSE ASSEMBLY, 120" LG	1
10	26833009	HOSE ASSY, 1" X 144" LONG	1
11	26833065	HOSE ASSEMBLY, 150" LG	1
12	26839016	CONTROL VALVE ASSEMBLY	1
13	AWS-6821-A	HOSE ASSEMBLY, 140" LG	5
14	26839052	RESERVOIR ASSEMBLY	1

Section I - PARTS (cont'd)

MAXXPRO PK BOOM HYDRAULICS



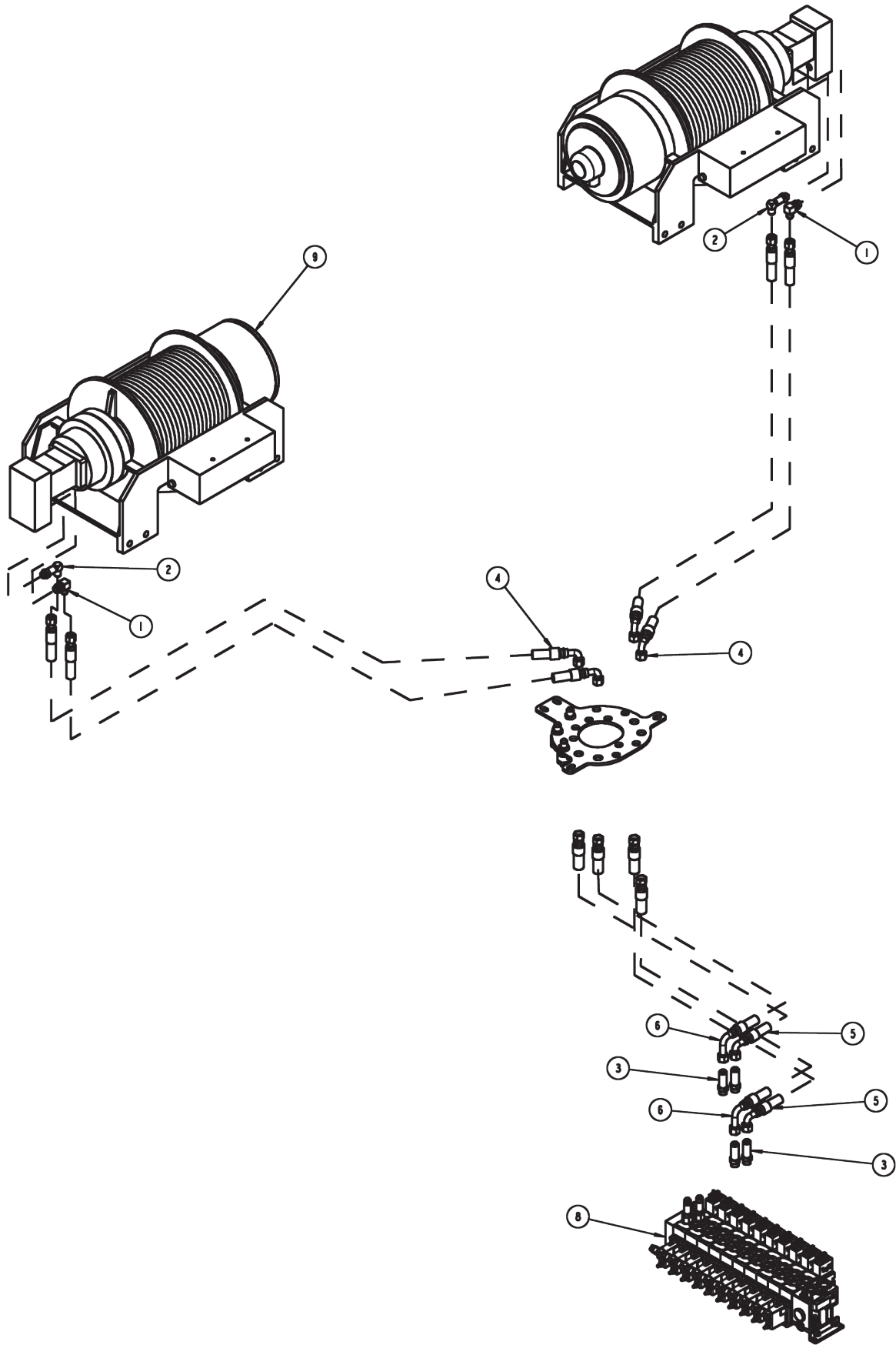
Section I - PARTS (cont'd)

MAXXPRO PK BOOM HYDRAULICS

ITEM	PART NUMBER	DESCRIPTION	QTY
1	0300787	HOSE HYD, 53" LG	4
2	0301471	HOSE HYD, 30"	2
3	0301529	HOSE HYD, 58	2
4	0301664	HOSE HYD, 64"	4
5	0302926	HOSE HYD, 29" LONG	2
6	AWS-6821-A	HOSE ASSY-PRESSURE	7

Section I - PARTS (cont'd)

MAXXPRO PK WINCH HYDRAULICS



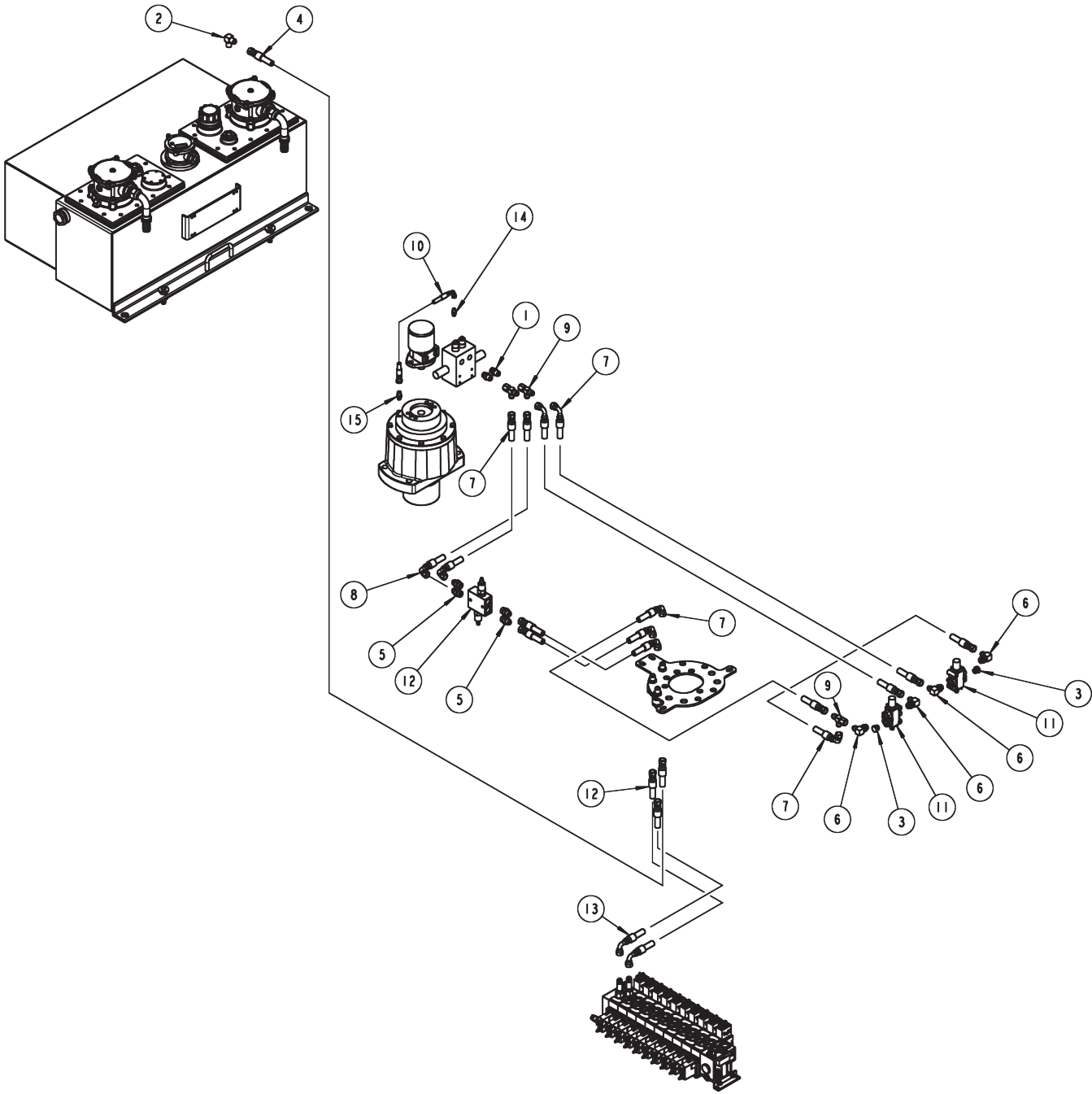
Section I - PARTS (cont'd)

MAXXPRO PK WINCH HYDRAULICS

ITEM	PART NUMBER	DESCRIPTION	QTY
1	0301388	ELBOW, 8MJ-8MB90	2
2	0302508	ELBOW, 8MJ-8MB90LL	2
3	0302828	CONNECTOR 10MJX10MBL	4
4	0310581	HOSE ASSEMBLY, 96" LG	4
5	24773017	HOSE ASSEMBLY, 140" LG	2
6	24773018	HOSE ASSEMBLY, 92" LG	2
7	26839015	HYDRAULIC SWIVEL PLATE ASSY	1
8	26839063	CONTROL VALVE SUB-ASSEMBLY	1
9	9048248C	WINCH DP 2-SPD 25K NARROW DRUM	2

Section I - PARTS (cont'd)

MAXXPRO PK BOOM SWING HYDRAULICS



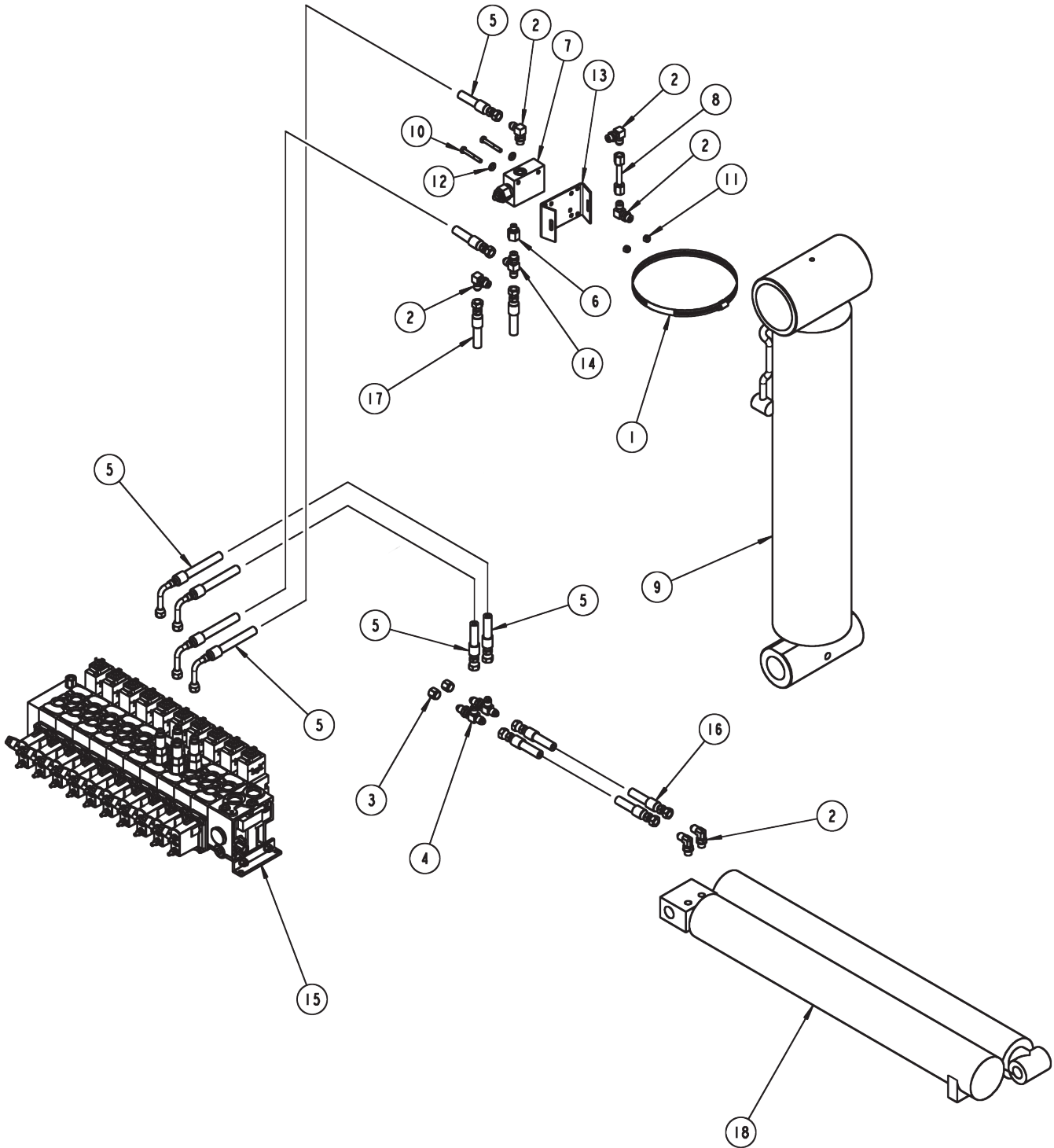
Section I - PARTS (cont'd)

MAXXPRO PK BOOM SWING HYDRAULICS

ITEM	PART NUMBER	DESCRIPTION	QTY
1	0300041	CONNECTOR 8MJX8MB	2
2	0300229	ELBOW, 8MJ-8MP90	1
3	0300387	PLUG, 1/2 SAE O-RING	2
4	0301113	HOSE ASSEMBLY, 82" LG	1
5	0301376	CONNECTOR 8MJX10MB	4
6	0301388	ELBOW, 8MJ-8MB90	4
7	0301471	HOSE ASSEMBLY, 30" LG	6
8	0301790	8G 8FJX 90S HOSE END	2
9	0302052	RUN TEE, 8MJ-8MJ-8FJX	3
10	0303994	HOSE ASSY, 48" LG 1	
11	0310336	VALVE, DIVERTER	2
12	24773023	VALVE, CROSS-OVER RELIEF	1
13	AWS-6821-A	HOSE ASSEMBLY, 140" LG	2
14	HC1291	CONNECTOR, 4MJ-4MB STR	1
15	IC212	CONNECTOR, 4MB-6MJ	1

Section I - PARTS (cont'd)

MAXXPRO PK UNDERLIFT LIFT & EXTEND HYDRAULICS



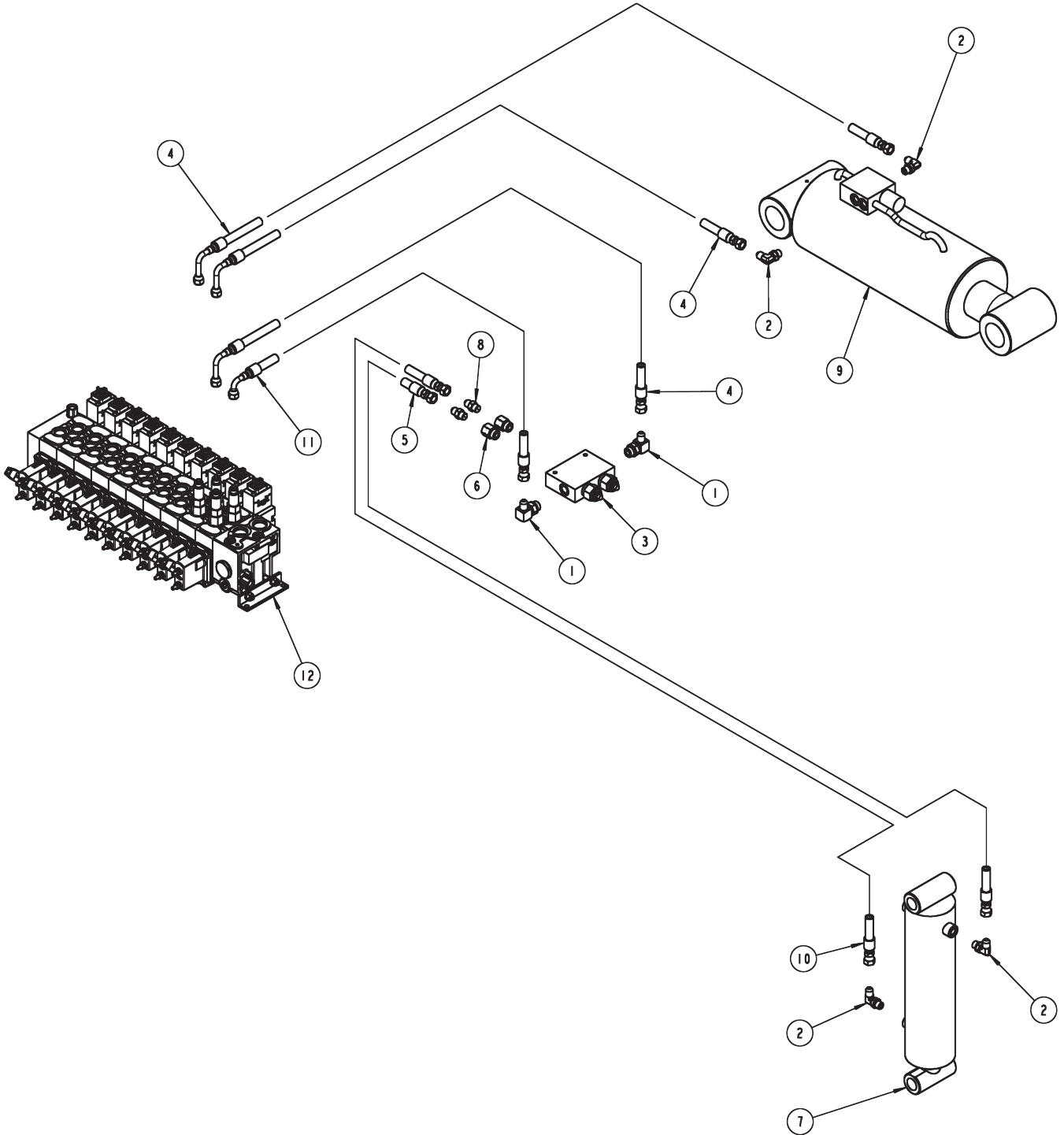
Section I - PARTS (cont'd)

MAXXPRO PK UNDERLIFT LIFT & EXTEND HYDRAULICS

ITEM	PART NUMBER	DESCRIPTION	QTY
1	0300644	HOSE CLAMP, 8"	1
2	0301620	ELBOW, 6MJ-6MB906	
3	0302065	CAP, 6FJ	3
4	0302575	BULKHEAD RUN TEE, 6MJ-6BLKHD-6MJ	2
5	0302585	HOSE ASSY, 54" LG 4	
6	0307106	CONNECTOR 4MBX6FB	1
7	0307107	VALVE HOLDING 4000 PSI SAE	1
8	0307417	HYDR TUBE ASSY, 3/8"OD X .035" W X 3"	1
9	0310477	CYLINDER, HYD LIFT	1
10	0400078	1/4-20 X 2 HHCS GR5 ZP	2
11	0400367	1/4-20 NYLOCK HEX NUT ZP	2
12	0400451	1/4 FLAT WASHER ZP	2
13	0703001	BRACKET, MOUNTING	1
14	9012594	HYD RUN TEE, 6MJ-6MB-6MJ	1
15	25353001	VALVE, CONTROL	1
16	0303187	HOSE ASSEMBLY, 141" LG	10
17	0302000	HOSE ASSEMBLY, 24" LG	7
18	HD-130	CYLINDER, HYD BOOM EXTEND	1

Section I - PARTS (cont'd)

MAXXPRO PK UNDERLIFT TILT & FOLD HYDRAULICS

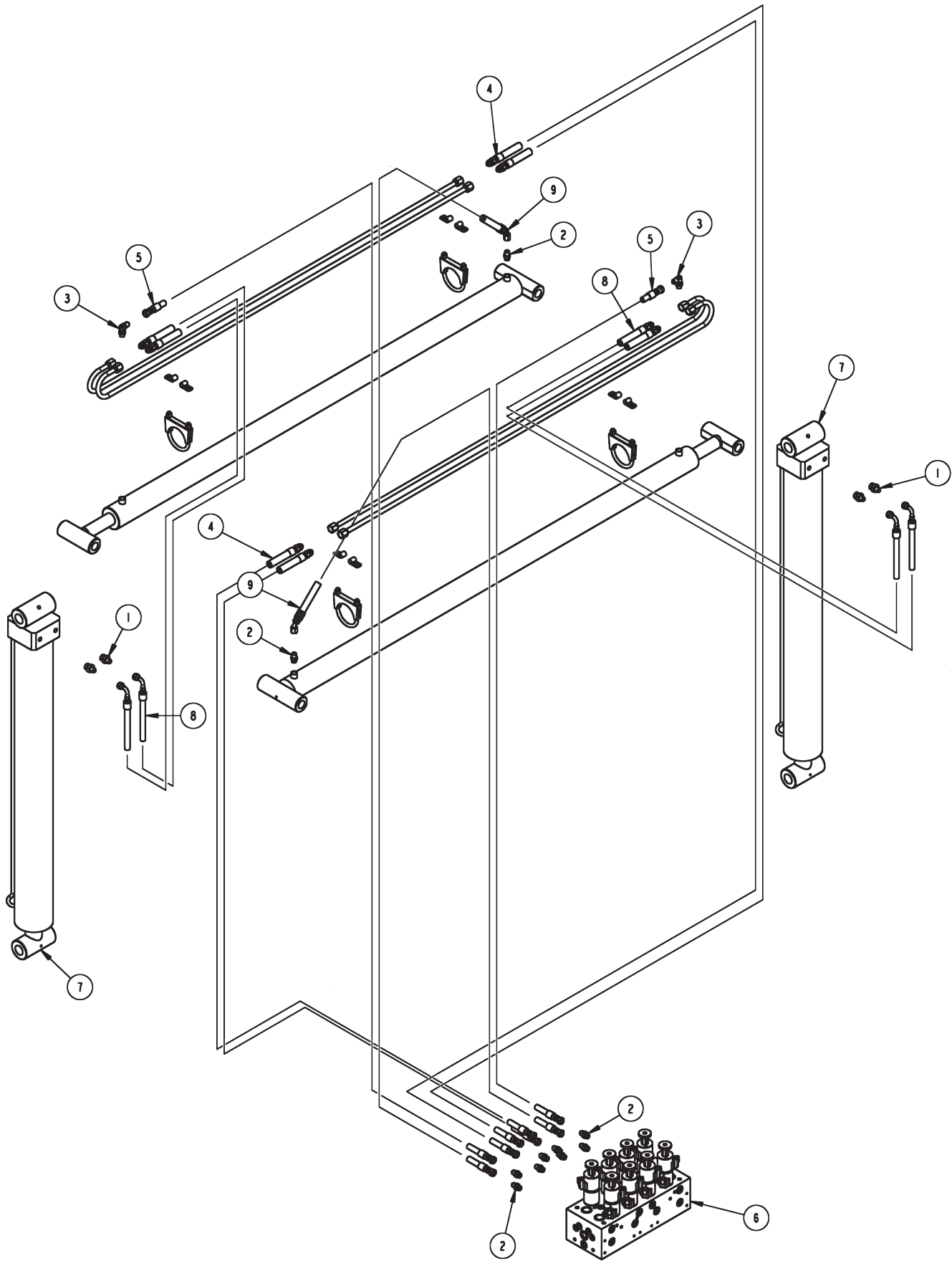


Section I - PARTS (cont'd)**MAXXPRO PK UNDERLIFT TILT & FOLD HYDRAULICS**

ITEM	PART NUMBER	DESCRIPTION	QTY
1	0301470	ELBOW, 6MJ-8MB90	2
2	0301620	ELBOW, 6MJ-6MB90	4
3	0301730	DOUBLE HOLDING VALVE	1
4	0302585	HOSE ASSY, 54" LG 3	
5	0302813	HOSE ASSY, 108" LG	1
6	0303017	CONNECTOR, 8MB-6FB	2
7	0306746	CYLINDER, HYDRAULIC FOLD	1
8	0307042	CONNECTOR, 6MJ-6MP	2
9	0310478	CYLINDER, TILT	1
10	26833081	HOSE ASSEMBLY, 122" LG	1
11	26833082	HOSE ASSEMBLY, 60" LG	1
12	26839063	CONTROL VALVE SUB-ASSEMBLY	1

Section I - PARTS (cont'd)

MAXXPRO PK FRONT OUTRIGGER HYDRAULICS



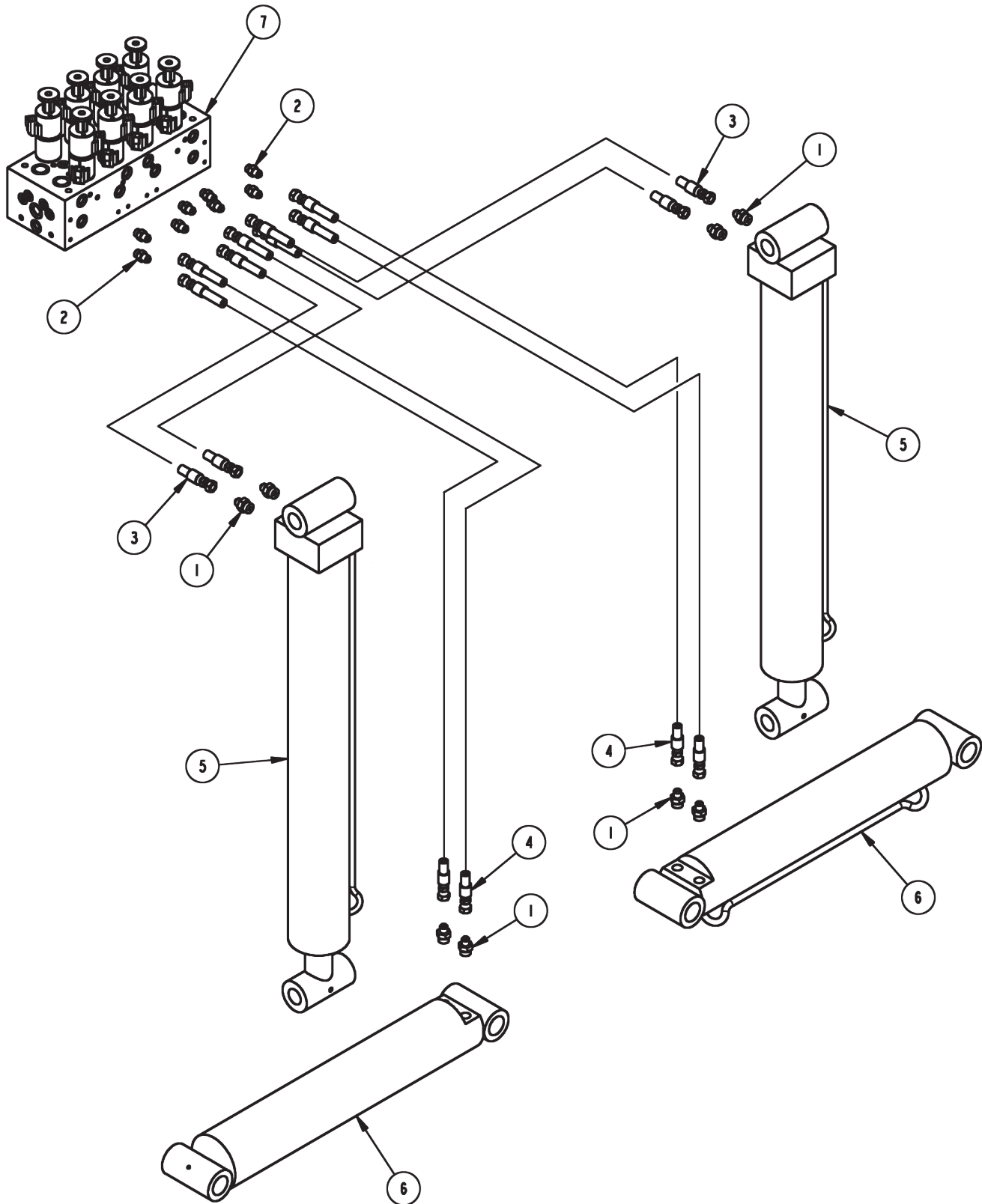
Section I - PARTS (cont'd)

MAXXPRO PK FRONT OUTRIGGER HYDRAULICS

ITEM	PART NUMBER	DESCRIPTION	QTY
1	0300044	CONNECTOR 6MJX8MB	4
2	0301522	CONNECTOR 6MJ-6MB	10
3	0301620	ELBOW, 6MJ-6MB90	2
4	0303186	HOSE ASSEMBLY, 82" LG	4
5	0303187	HOSE ASSEMBLY, 141" LG	2
6	0310358	VALVE, SOLENOID 12V OUTRIG CTRL	1
7	26833001	CYLINDER, 4" BORE 30" STROKE	2
8	26833033	HOSE ASSEMBLY, 126" LG	4
9	26833044	HOSE ASSEMBLY, 80" LG	2

Section I - PARTS (cont'd)

MAXXPRO PK REAR OUTRIGGER HYDRAULICS



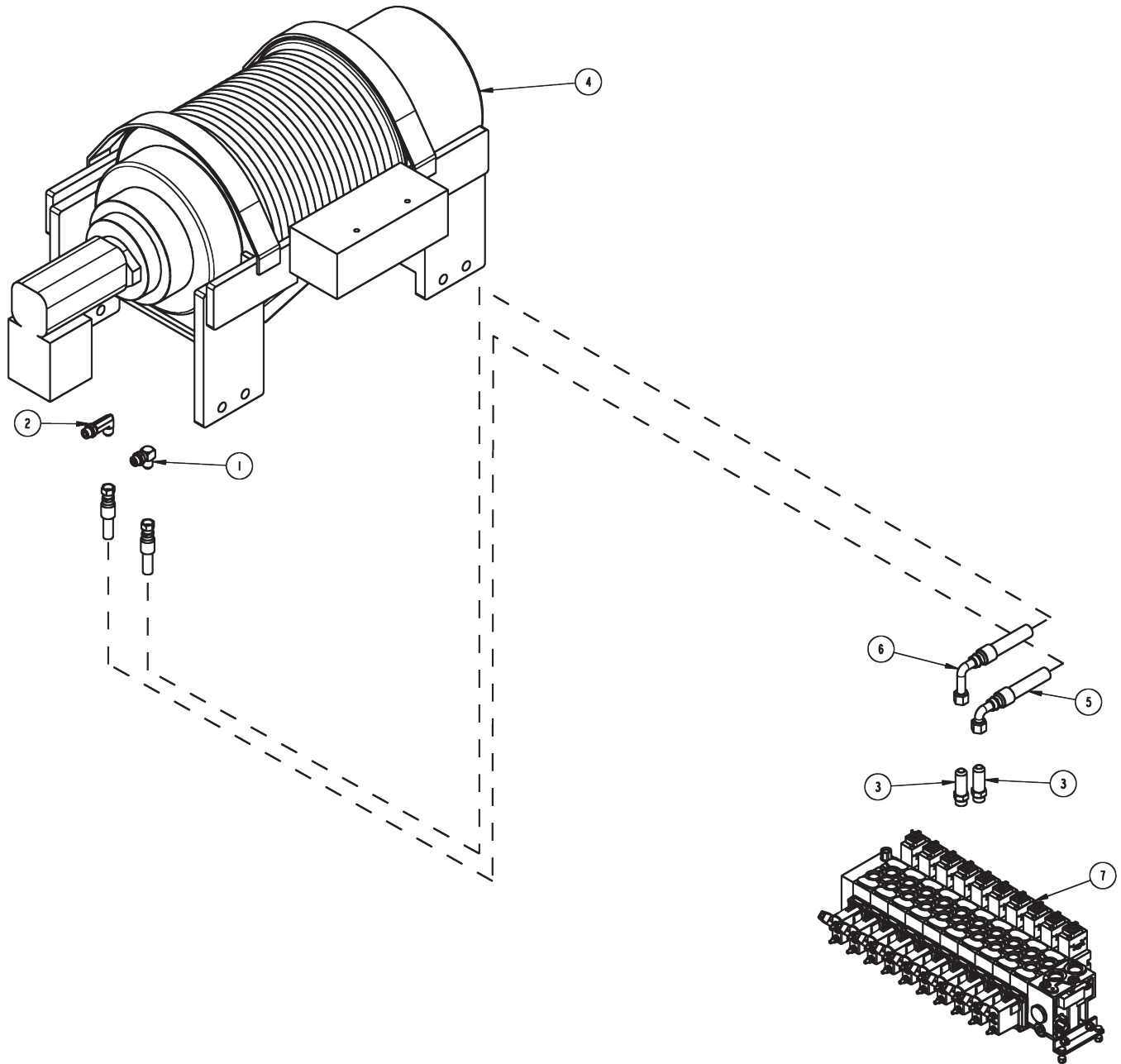
Section I - PARTS (cont'd)

MAXXPRO PK REAR OUTRIGGER HYDRAULICS

ITEM	PART NUMBER	DESCRIPTION	QTY
1	0300044	CONNECTOR 6MJX8MB	8
2	0301522	CONNECTOR 6MJ-6MB	8
3	0302056	HOSE ASSY, 183" LG.	4
4	0302372	HOSE ASSY, 240" LG.	4
5	0307843	CYLINDER, 4" BORE 30" STROKE	2
6	0310145	CYLINDER ASSEMBLY	2
7	0310358	OUTRIGGER VALVE ASSEMBLY	1

Section I - PARTS (cont'd)

MAXXPRO PK DRAG WINCH HYDRAULICS



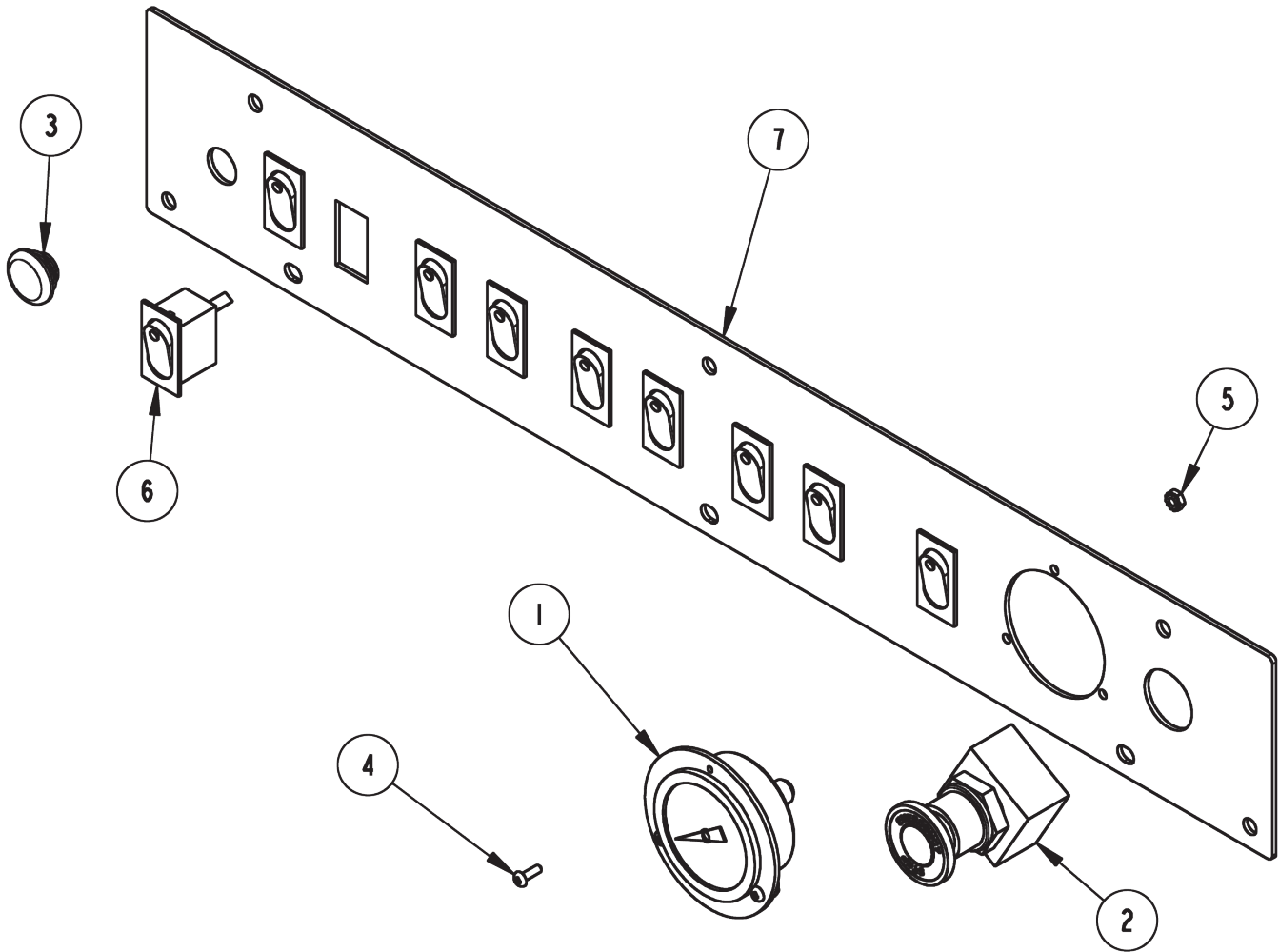
Section I - PARTS (cont'd)

MAXXPRO PK DRAG WINCH HYDRAULICS

ITEM	PART NUMBER	DESCRIPTION	QTY
1	0301388	ELBOW, 8MJ-8MB90	1
2	0302508	ELBOW, 8MJ-8MB90LL	1
3	0302828	CONNECTOR 10MJX10MBL	2
4	0303505	WINCH, DP MODEL S50-50K	1
5	26833079	HOSE ASSEMBLY, 92" LG	1
6	26833080	HOSE ASSEMBLY, 92" LG	1
7	26839016	CONTROL VALVE ASSEMBLY	1

Section I - PARTS (cont'd)

MAXXPRO PK GAUGE PANEL SUBKIT

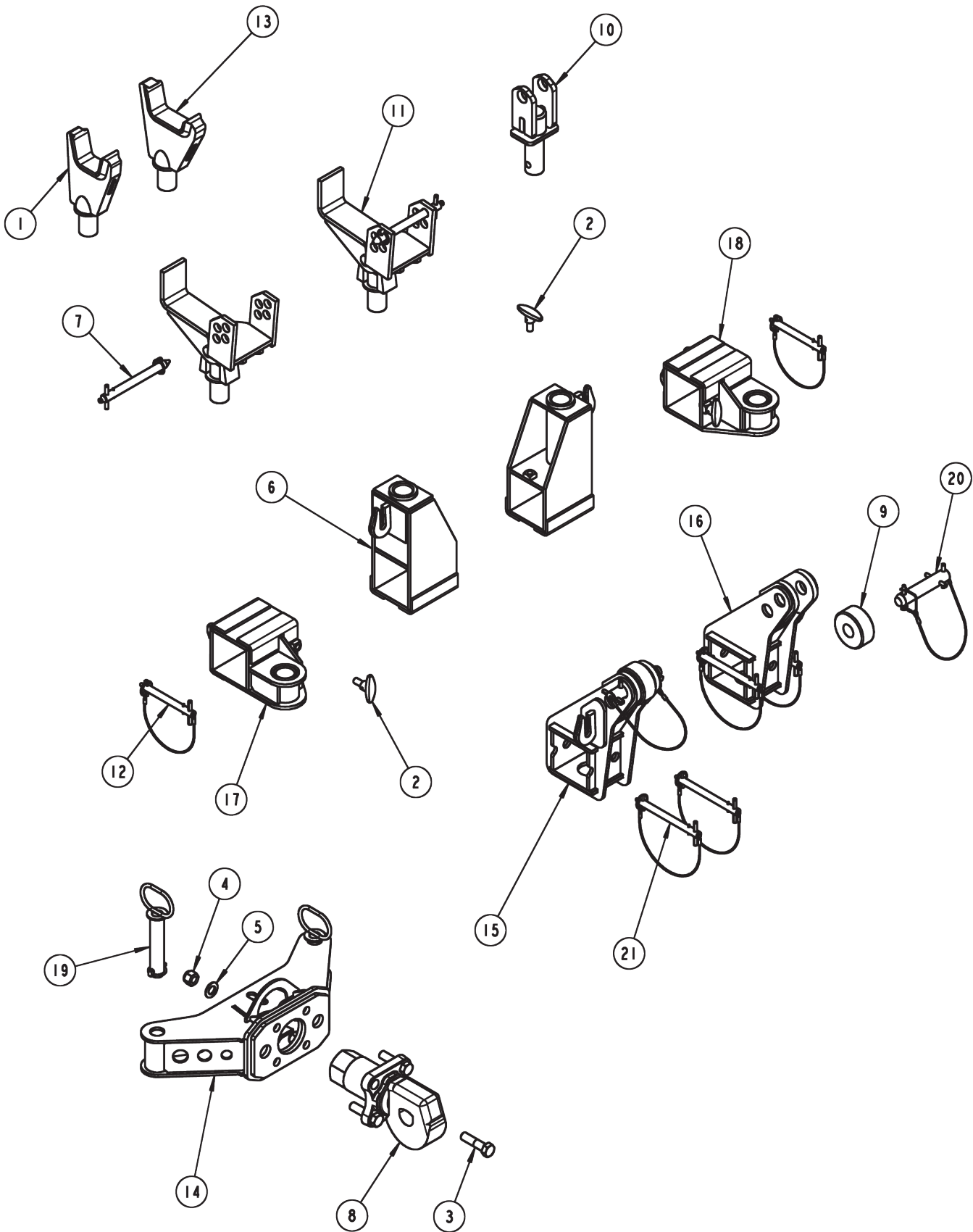


Section I - PARTS (cont'd)**MAXXPRO PK GAUGE PANEL SUBKIT**

ITEM	PART NUMBER	DESCRIPTION	QTY
1	0302205	GAUGE, FLUSH MOUNT 6000 PSI	1
2	0306537	EMERGENCY SWITCH (RAMSEY)	1
3	0307495	LAMP, MINI-MARKER LED	1
4	0400021	#8-32 X .5 FLAT HEAD PHILLIPS S.S.	3
5	0400351	#8-32 HEX NUT W/ STAR WASHER, ZP	3
6	9024041	MCGILL SWITCH	9
7	26837174	PANEL, GAUGE	1
8	26833046	HARNESS, E-STOP AND IDLE (NOT SHOWN)	1
9	26833054	HARNESS, JUMPER - RED (NOT SHOWN)	1
10	26833055	HARNESS, JUMPER - WHITE (NOT SHOWN)	1
11	26833073	HARNESS, POWER/GROUND (NOT SHOWN)	2
12	26833074	HARNESS, HOUSE LOCK/FREESPOOL (N.S.)	1
13	26833077	PIGTAIL, E-STOP - WHITE (NOT SHOWN)	1
14	26833078	PIGTAIL, E-STOP - ORANGE (NOT SHOWN)	1

Section I - PARTS (cont'd)

MAXXPRO PK LIFT ADAPTERS



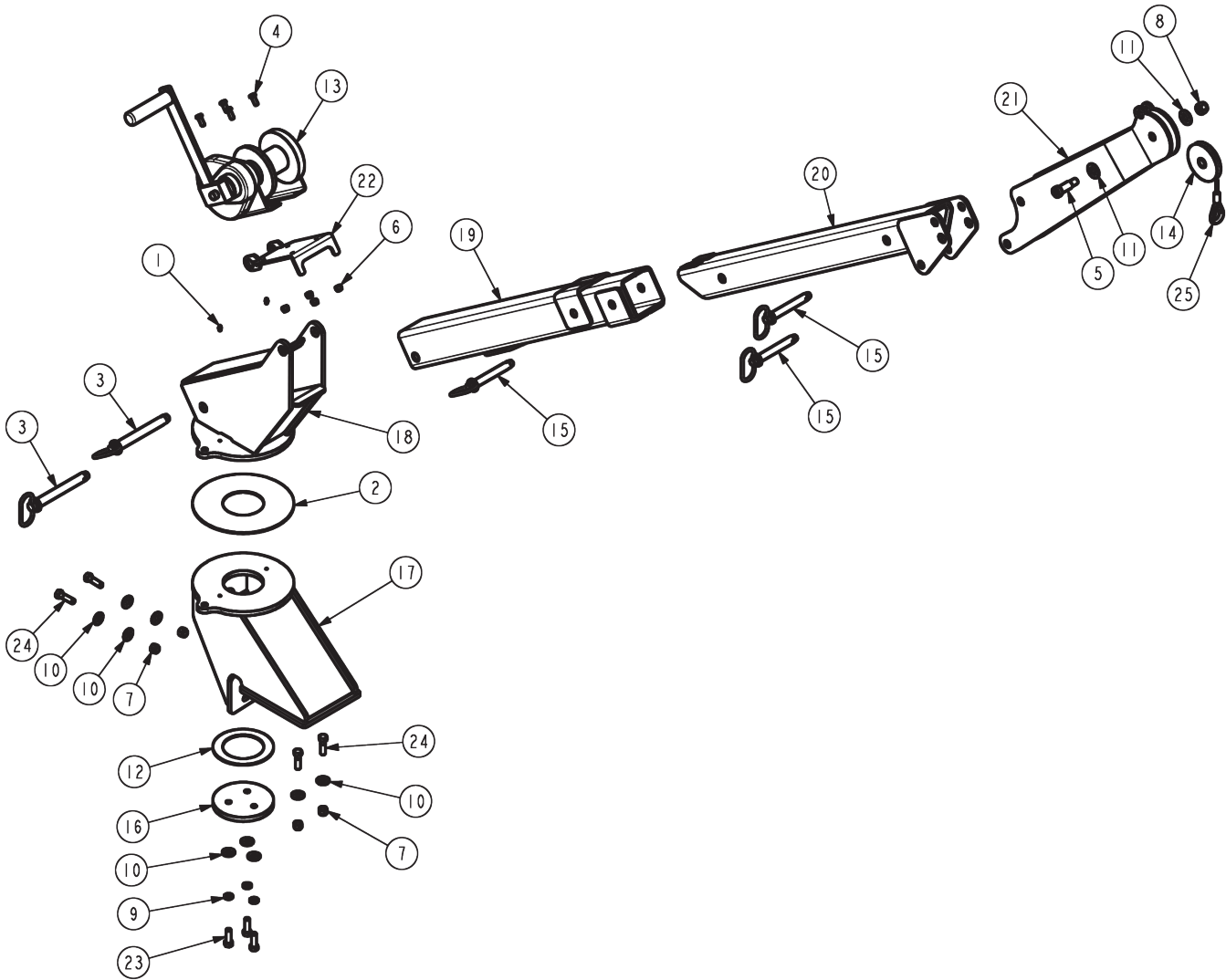
Section I - PARTS (cont'd)

MAXXPRO PK LIFT ADAPTERS

ITEM	PART NUMBER	DESCRIPTION	QTY
1	0200020	FORK, MEDIUM (3" OPENING)	2
2	0306564	T HANDLE	4
3	0400308	7/8-9 X 3-1/2 HHCS GR 8 GOLD	4
4	0400437	7/8-9 NYLOCK HEX NUT GR 8 ZP	4
5	0400821	7/8 FLAT WASHER GR 8 ZP	4
6	0801459	BRKT-RISER-HDU	2
7	0908672	RETAINING PIN, SPRING LIFT	2
8	22403001	PINTLE HOOK	1
9	25357074	SPACER	2
10	25358013	PIN WLDMT, BUS	2
11	25358014	PIVOT SPRING LIFT BRACKET, EXTRA WIDE	2
12	25859004	PIN- RETAINER ASSY	2
13	26837076	FORK, MEDIUM (3" OPENING)	2
14	26838026	TOW PINTLE BRKT WLMT	1
15	26838062	LIFT BRACKET WELDMENT (LEFT)	1
16	26838063	LIFT BRACKET WELDMENT (RIGHT)	1
17	26838064	LEFT FORK ADAPTER	1
18	26838065	RIGHT FORK ADAPTER	1
19	26839036	PIN ASSY, PINTLE BRKT	2
20	26839072	PIN ASSY, MAXXPRO LIFT ADAPTER	2
21	26839076	PIN- RETAINER ASSY	4

Section I - PARTS (cont'd)

MAXXPRO PK TIRE LIFT CRANE ASSEMBLY

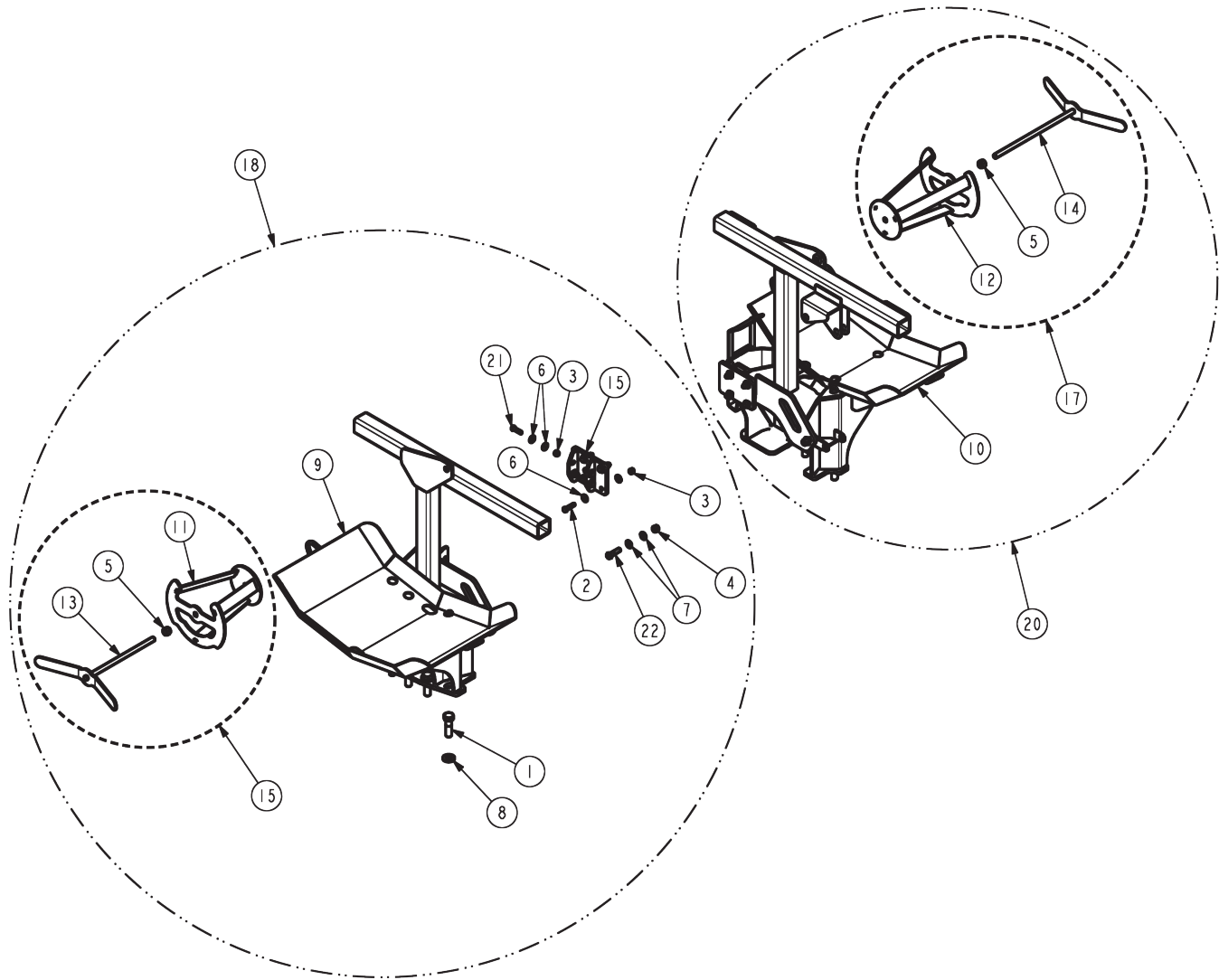


Section I - PARTS (cont'd)

MAXXPRO PK TIRE LIFT CRANE ASSEMBLY

ITEM	PART NUMBER	DESCRIPTION	QTY
1	0300113	GREASE FITTING, 1/4-28 STRAIGHT SS	2
2	0303097	THRUST WASHER, 1/8" THICK	1
3	0313329	7/8X6 1/2 LG HITCH PIN	2
4	0400141	3/8-16 X 7/8 HHCS GR5 ZP	4
5	0400277	SHOULDER BOLT, 5/8"-11 X 1-1/2" SKT HD	1
6	0400392	3/8-16 NYLOCK HEX NUT ZP	4
7	0400408	1/2-13 NYLOCK HEX NUT ZP	8
8	0400421	NUT, 5/8"-11 HEX NYLOK	1
9	0400491	1/2 HELICAL LOCKWASHER ZP	3
10	0400497	1/2 FLAT WASHER GR8 YZ PLATED	13
11	0400512	3/4 FLAT WASHER (SPECIAL)	2
12	03009731	WASHER, TIRE CRANE PIVOT	1
13	03009732	WINCH, TIRE CRANE	1
14	03009734	SHEAVE, TIRE CRANE	1
15	03009736	7/8X6 1/2 LG HITCH PIN	3
16	07010708	PLATE, TIRE CRANE PIVOT CAP	1
17	08007229	TIRE CRANE PIVOT HEAD WLMT	1
18	08007230	TIRE CRANE PIVOT HEAD WLMT	1
19	08007231	TIRE CRANE OUTER BOOM WLMT	1
20	08007232	TIRE CRANE INNER BOOM WLMT	1
21	08007233	TIRE CRANE BOOM HEAD WLMT	1
22	08007234	TIRE CRANE WINCH MTG WLMT	1
23	9041403	1/2-13 X 1-1/2 HHCS GR8 ZP	3
24	9041404	1/2-13 X 1-3/4 HHCS GR8 ZP	8
25	03009733	CABLE ASSY, TIRE CRANE	1
26	08007788	LOCKING PIN (NOT SHOWN)	1

Section I - PARTS (cont'd)
MAXXPRO PK SPARE TIRE STOWAGE ASSEMBLIES



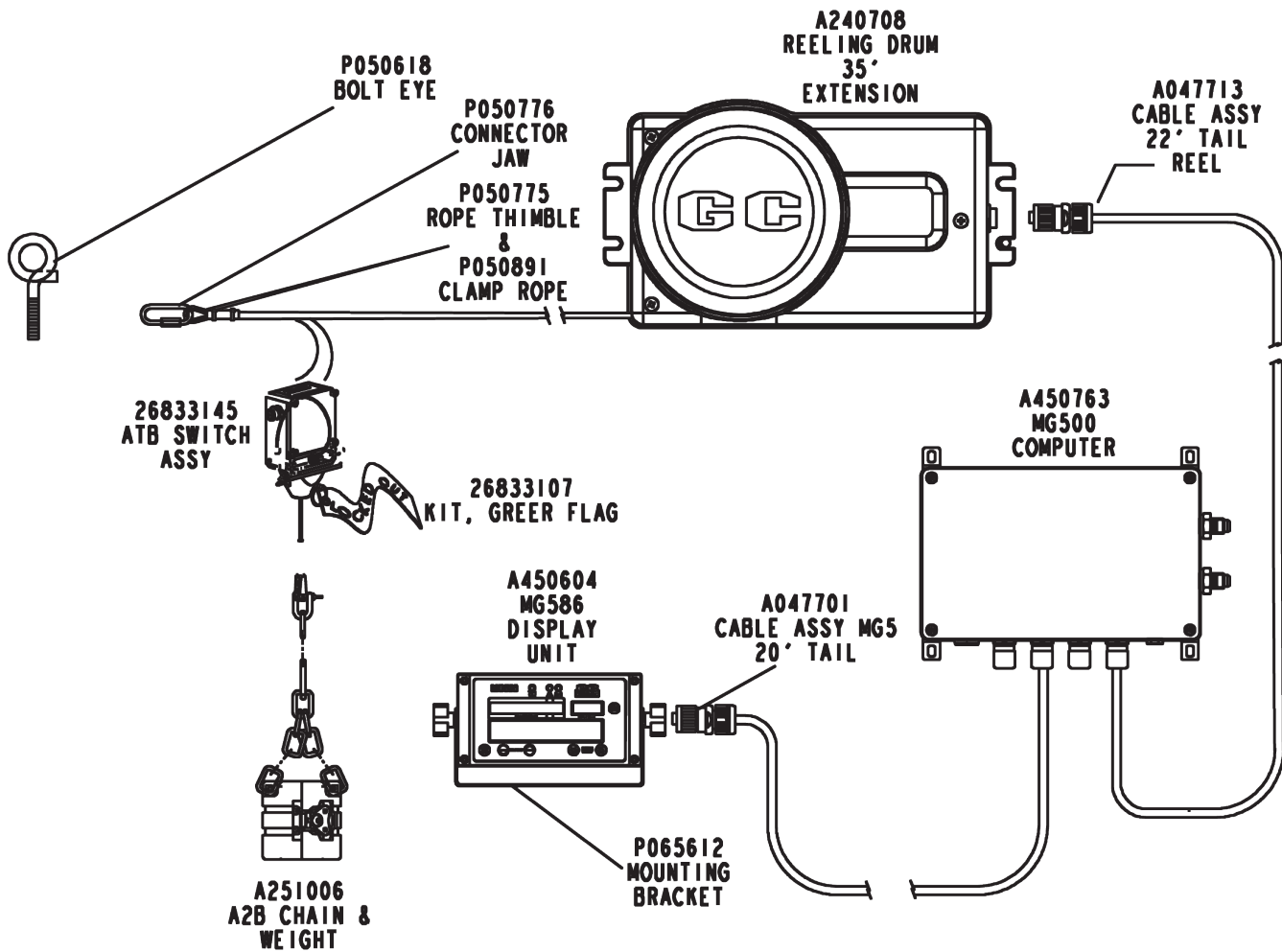
Section I - PARTS (cont'd)

MAXXPRO PK SPARE TIRE STOWAGE ASSEMBLIES

ITEM	PART NUMBER	DESCRIPTION	QTY
1	0400334	1-8 X 3-1/2 HHCS GR8 ZP	10
2	0400343	1/2-13 X 2 HHCS GR8 ZP	8
3	0400408	1/2-13 NYLOCK HEX NUT ZP	16
4	0400426	5/8-11 NYLOCK NUT GR8 ZP	2
5	0400430	3/4-10 NYLOCK HEX NUT ZP	2
6	0400497	1/2 FLAT WASHER GR8 YZ PLATED	32
7	0400503	5/8 FLAT WASHER GR8	4
8	0400522	1 1/16 X 2 X 1/8 HARDENED FLAT WASHER ZP	10
9	08007235	REAR TIRE STOW BRACKET WLMT	1
10	08007236	FRONT TIRE STOW BRACKET WLMT	1
11	08007237	REAR TIRE STOW LOCK WLMT	1
12	08007238	FRONT TIRE STOW LOCK WLMT	1
13	08007239	REAR TIRE STOW WINGNUT WLMT	1
14	08007240	FRONT TIRE STOW WINGNUT WLMT	1
15	08007628	REAR TIRE ADJUSTABLE MOUNT	1
16	08007629	FRONT TIRE ADJUSTABLE MOUNT	1
17	09007735	REAR TIRE LOCK ASSY	1
18	09007736	REAR TIRE STOW BRACKET ASSY	1
19	09007737	FRONT TIRE LOCK ASSY	1
20	09007738	FRONT TIRE STOW BRACKET ASSY	1
21	9041404	1/2-13 X 1-3/4 HHCS GR8 ZP	8
22	9044409	5/8-11 X 2-1/4 HHCS GR8 ZP	2

Section I - PARTS (cont'd)

MAXXPRO PK RATED CAPACITY INDICATOR KIT



BILL OF MATERIALS		
P/N	DESCRIPTION	QTY
A047701	CABLE ASSY - 20' TAIL - DISPLAY	1
A047713	CABLE ASSY - 22' TAIL - REEL	1
A240708	REELING DRUM ASSY, PLASTIC 35'	1
26833145	ATB SWITCH ASSY - 2 WAY CONN	1
A251006	CHAIN & WEIGHT ASSY - LINK LOCK	1
A450604	MG586 DISPLAY UNIT	1
A450763	MG510+ COMPUTER 4CG & 2JIC-6	1
E586712	MILLER MAXXPRO NAVISTAR CHART (NOT SHOWN)	1
P050775	ROPE THIMBLE, STL STEEL 5/32"	1
P050776	CONNECTOR THREADED W/ JAW 3/16"	1
P050891	CLAMP ROPE LO-PROFILE 5/32"	1
P065612	BRACKET MOUNTING BA590/MG586	1
26833144	GREER SUBHARNESS (NOT SHOWN)	1
P050618	BOLT EYE 3/8-16 X 4"	1
W450030	MG586 RATED CAPACITY INDICATOR SYSTEM FOR TRUCK MOUNTED CRANES (NOT SHOWN)	1
26833107	KIT, GREER FLAG	1



CENTURY

Miller Industries Towing Equipment Inc.
8503 Hilltop Drive • Ooltewah, Tennessee 37363 • (423) 238-4171
www.millerind.com