

CHEVRON



OWNER'S MANUAL

1016 SERIES

INSTALLATION, OPERATION, MAINTENANCE & PARTS

NOTE: MANUAL including SPECIFICATIONS, subject to change without notice.
All ratings specified are based on structural factors only,
not vehicle capacities or capabilities.

CHEVRON

Carriers & Wreckers
7320 W. Market Street
Mercer, PA 16137
Phone (724) 981-7500 • FAX (724) 981-4425
Toll Free (800) 886-6400
<http://www.chevroninc.com>

PART NO. OMC0614

LIMITED WARRANTY

CHEVRON, INC., ("Chevron"), warrants to the original purchaser that each new Chevron product will be free from defects in material and workmanship for a period of twelve (12) months from date placed in service. The purchaser must promptly notify Chevron in writing of any failure in material or workmanship. In no event shall Chevron accept such notification later than twelve (12) months from date placed in service.

Chevron's obligation under this warranty, statutory or otherwise, is limited to the repair or replacement at the Chevron factory, or at a point designated by Chevron, of such part or parts as shall appear upon inspection by Chevron to be defective in material or workmanship. New or remanufactured parts will be used for any replacement at Chevron's option. This warranty is not transferable. This warranty does not obligate Chevron to bear the cost of labor or transportation charges in connection with the repair or replacement of any parts found to be defective, nor shall it apply to a product upon which repairs or alterations have been made unless authorized by Chevron.

EXCEPT AS EXPRESSLY SET FORTH IN THIS WARRANTY, CHEVRON MAKES NO OTHER WARRANTY, EXPRESS OR IMPLIED, AND HEREBY DISCLAIMS ALL OTHER WARRANTIES INCLUDING, BUT NOT LIMITED TO, THE IMPLIED WARRANTIES OF MERCHANTABILITY AND FITNESS FOR A PARTICULAR PURPOSE. Chevron shall in no event be liable for claimed downtime, claimed loss of profits or good will, or any other special, incidental, indirect, or consequential damages concerning or relating to any product or parts, whether based on negligence, strict liability, breach of contract, breach of warranty, misrepresentation or any other legal theory, regardless of whether the loss resulted from any general or particular requirement which Chevron knew or had reason to know about at the time of sale.

CHEVRON MAKES NO WARRANTY, EXPRESS OR IMPLIED, AS TO THE FINISHED PRODUCTS MANUFACTURED OR SUPPLIED BY ANOTHER MANUFACTURER AND SUPPLIED BY CHEVRON TO PURCHASER, including, but not limited to, any vehicle to which a Chevron product may be affixed or any accessories or wire rope, and CHEVRON EXPRESSLY DISCLAIMS ANY IMPLIED WARRANTIES OR MERCHANTABILITY OR FITNESS FOR A PARTICULAR PURPOSE AS TO SUCH EQUIPMENT OR PRODUCTS. This language shall in no way affect or diminish the rights of the purchaser to rely on such warranties as are extended by such manufacturers or suppliers. Chevron shall, to the extent permitted under applicable law, pass on to the purchaser such manufacturer's or seller's warranty.

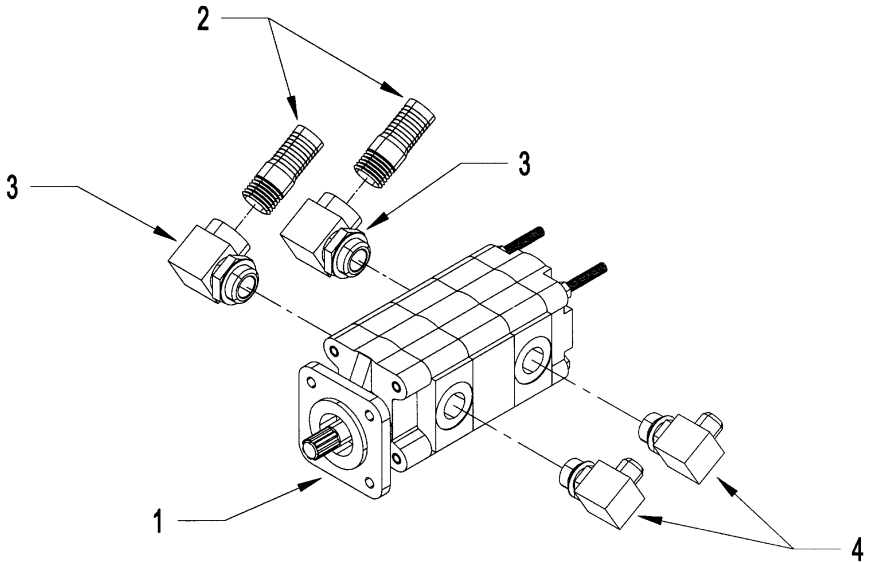
Chevron, whose policy is one of continuous improvement, reserves the right to improve its products through changes in design or materials as it may deem desirable without being obligated to incorporate such changes in products previously sold. This warranty is not intended to cover or include the following items, which are set forth by way of example and not limitation:

- A. Normal deterioration of trim, paint, lettering, and appearance items due to wear or exposure to weather, road conditions, road treatments, etc.
- B. Any damage or defect due to accident, misuse, abuse, operation exceeding rated loads, improper or unauthorized repairs, failure to provide reasonable and necessary maintenance, or uses of which the equipment was not designed or intended.
- C. Alterations or modifications that affect performance, operations or reliability.
- D. Normal maintenance parts including, but not limited to, wear pads, bushings, wire rope, mudflaps, fenderettes, light bulbs, hydraulic oil, filters, and tow sling belts.

IT IS EXPRESSLY UNDERSTOOD THAT CHEVRON MAKES NO IMPLIED WARRANTY THAT CHEVRON PRODUCTS SHALL BE FIT FOR THE PURPOSE OF LIFTING OR MOVING PEOPLE OR FOR ANY OTHER IMPROPER USE.

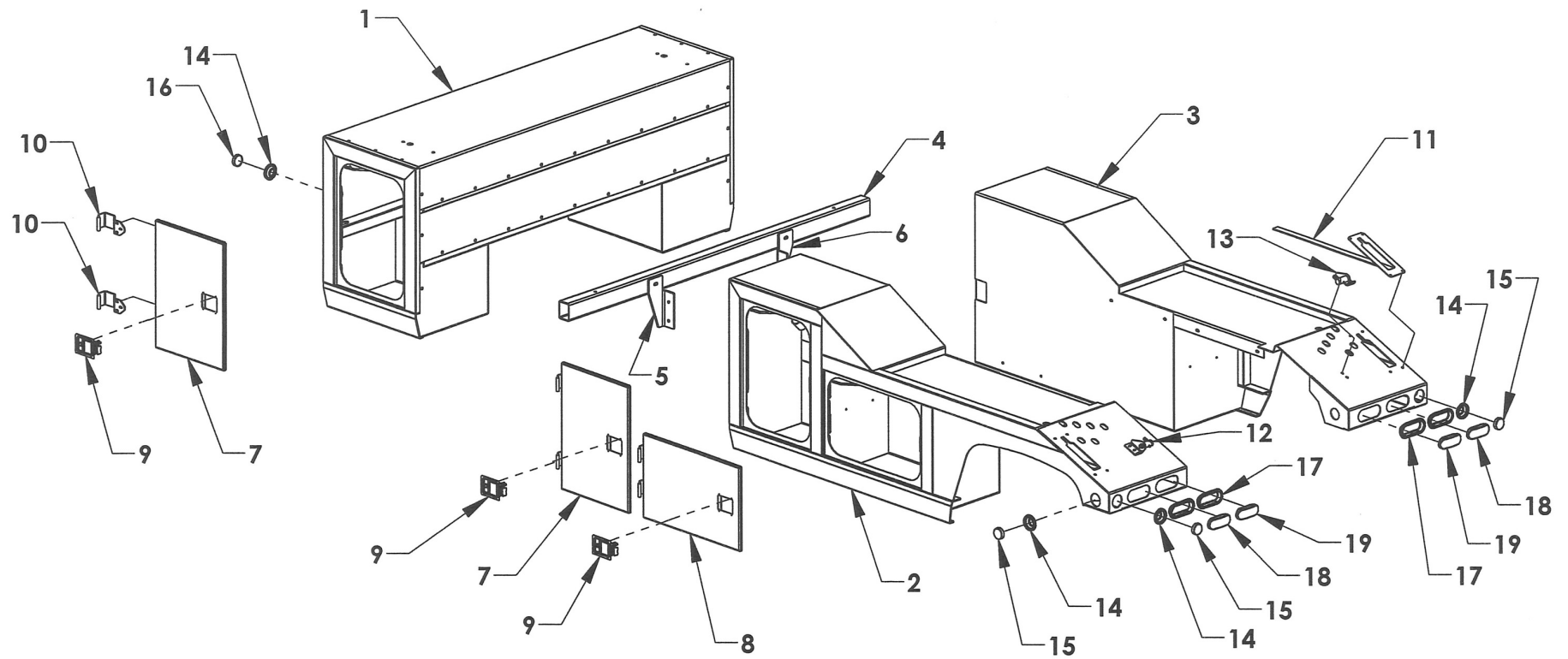
Section V - PARTS

DIRECT MOUNT TANDEM PUMP



REF	PART #	DESCRIPTION	QPU
1	78014	TANDEM PUMP 15 GPM x 15 GPM	1
2	77CH0	1-1/4 x 3 NPT NIPPLE	2
3	77C90	1-1/4 x 90 M-F O-RING ADAPTER 887-554-20	2
4	77C91	1 M O-RING x 3/4 MJIC x 90	2

Section V - PARTS
1016 MODULAR BOX COMPONENTS



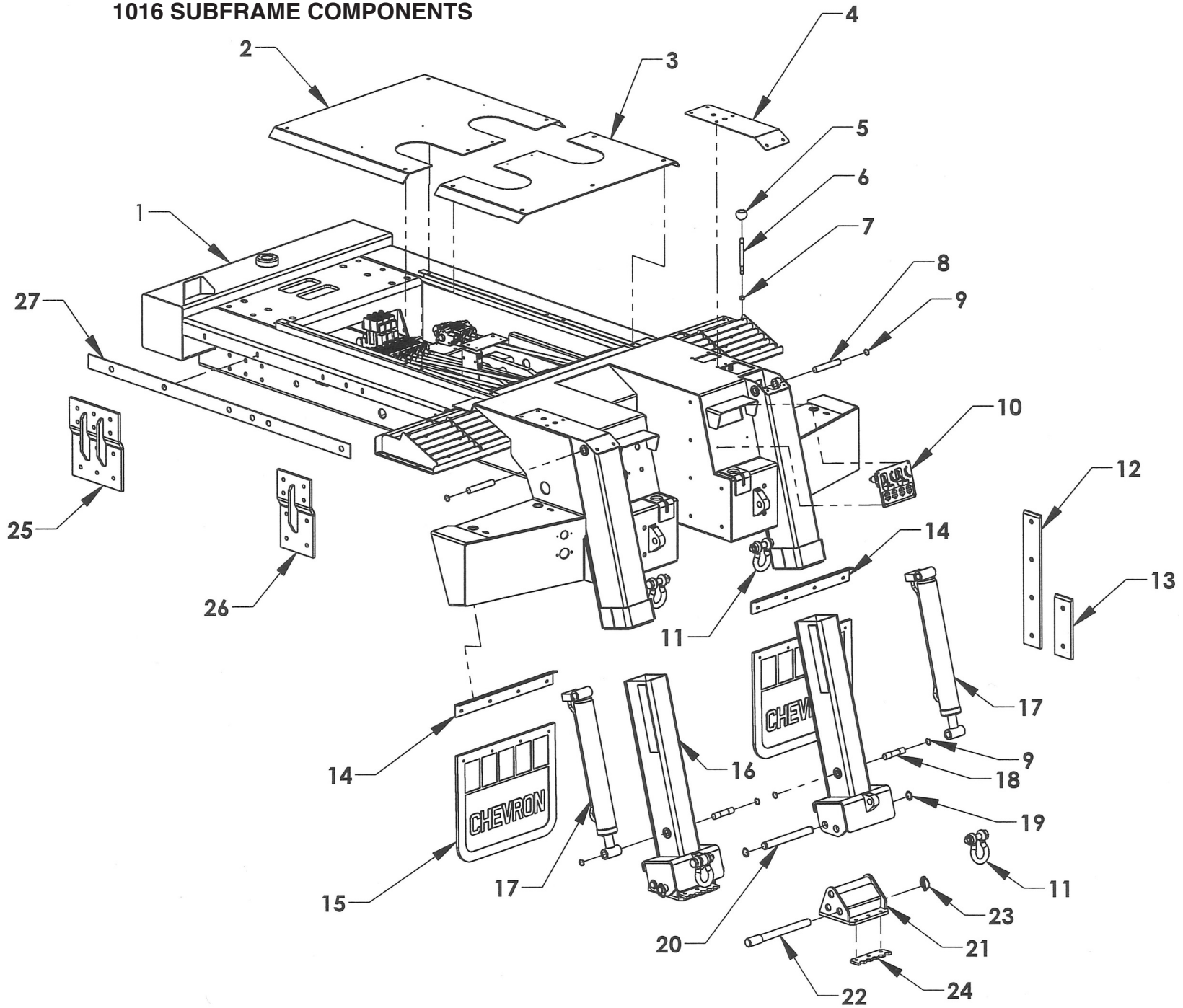
Section V - PARTS

1016 MODULAR BOX COMPONENTS

REF	PART #	DESCRIPTION	QPU
1	5469028	28 INCH TUNNEL BOX	1
2	5466120L	MODULAR BOX - DRIVER SIDE 120 CA	1
	5466108L	MODULAR BOX - DRIVER SIDE 108 CA	1
3	5466120R	MODULAR BOX - PASSENGER SIDE 120 CA	1
	5466108R	MODULAR BOX - PASSENGER SIDE 108 CA	1
4	54650	MODULAR BOX FRONT CROSSMEMBER	1
5	54655L	CROSSMEMBER MOUNTING BRACKET - LEFT	1
6	54665R	CROSSMEMBER MOUNTING BRACKET - RIGHT	1
7	54660	FRONT DOOR	4
8	54680	REAR DOOR - 120 CA	2
	54670	REAR DOOR - 108 CA	2
9	54658	ROTARY PADDLE LATCH	6
10	54635	DOOR HINGE	12
11	5462A0	WHEEL RETAINER STORAGE GUARD	2
12	59240L	WHEEL RETAINER LOCK PIN - LEFT	1
13	59240R	WHEEL RETAINER LOCK PIN - RIGHT	1
14	93150	MARKER LIGHT GROMMET	6
15	93100R	RED REFLECTIVE MARKER LIGHT	4
16	93100A	AMBER REFLECTIVE MARKER LIGHT	2
17	92650	TAIL LIGHT GROMMET	4
18	95600R	TAIL LIGHT	2
19	95600	BACKUP LIGHT	2

Section V - PARTS

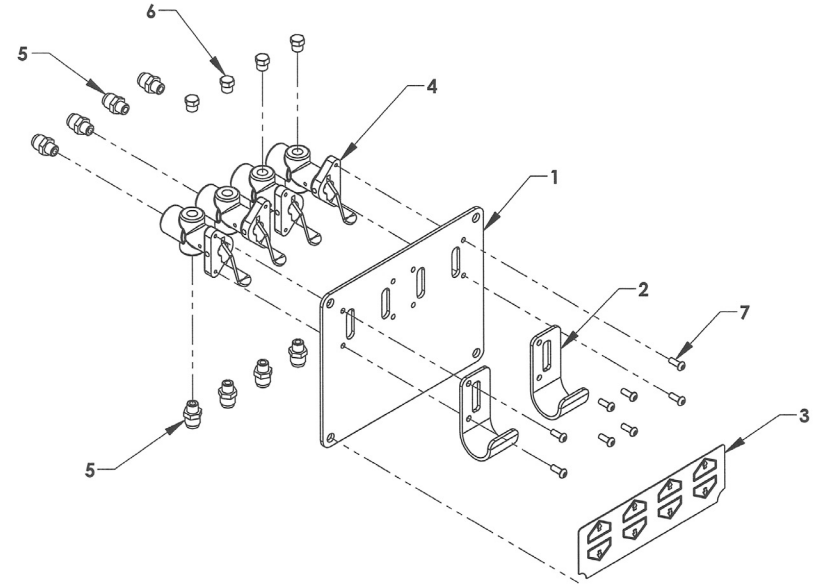
1016 SUBFRAME COMPONENTS



Section V - PARTS
1016 SUBFRAME COMPONENTS

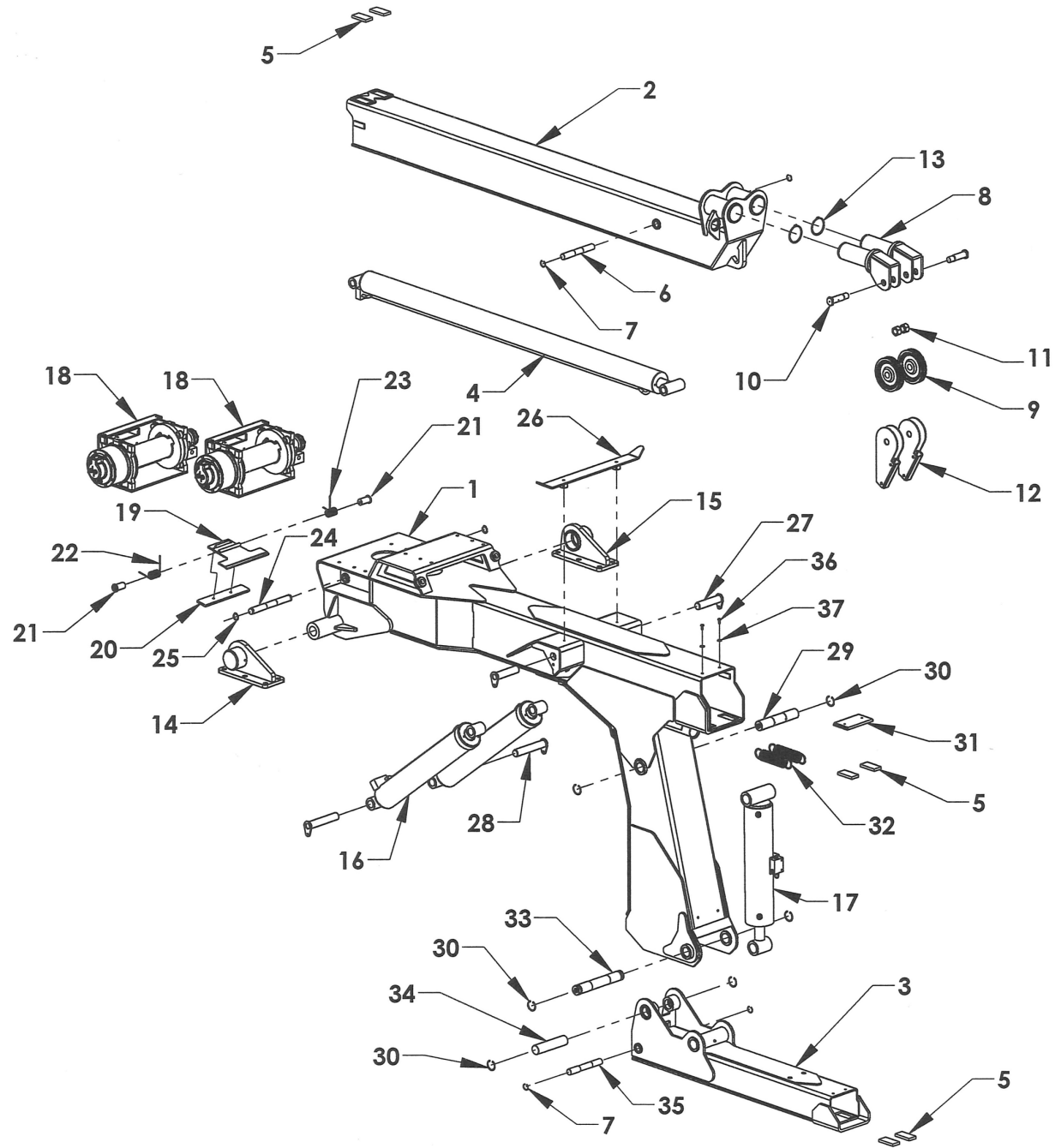
REF	PART #	DESCRIPTION	QPU
1	266010	SUBFRAME	1
2	2660751	FRONT ACCESS COVER	1
3	2660752	REAR ACCESS COVER	1
4	266058	STABILIZER ACCESS COVER	2
5	7A211	CONTROL KNOB	16
6	7A168	CONTROL HANDLE	16
7	83421	5/8 JAM NUT	16
8	262617	PIN .980 x 6.00	2
9	861001	RETAINING RING 1.00 INTERNAL	8
10	26605G	AIR VALVE ASSEMBLY	1
11	84716	6-1/2 TON SHACKLE AND SCREW PIN	4
12	266062	UHHW WEAR PAD	2
13	266061	UHHW WEAR PAD	2
14	26285	MUDFLAP BRACKET	2
15	A1070	MUDFLAP 24 x 21	2
16	262620	INNER STABILIZER TUBE	2
17	72190	STABILIZER CYLINDER	2
18	65714	PIN .980 x 4.625	2
19	86125I	RETAINING RING 1.25 EXTERNAL	4
20	262637	STABILIZER POD PIVOT PIN	2
21	262630	STABILIZER POD	2
22	262638	STABILIZER POD POSITION PIN	2
23	84712	LYNCH PIN	2
24	6961413	CLEAT	2
25	266090	FRONT MOUNTING BRACKET	2
26	266095	MIDDLE MOUNTING BRACKET	2
27	546022	RUBBER GASKET	2

Section V - PARTS
1016 AIR VALVES



REF	PART #	DESCRIPTION	QPU
1	26605A	AIR VALVE MOUNTING PANEL	1
2	18145	AIR VALVE TOGGLE GUARD	2
3	AA876	AIR VALVE CONTROL PANEL	1
4	71716	AIR VALVE	4
5		PUSH-ON AIR FITTING-STRAIGHT 04X02	8
6		1/8 NPT PLUG	4
7		SCREW 10-24 x 3/4	8

Section V - PARTS
1016 RECOVERY BOOM COMPONENTS

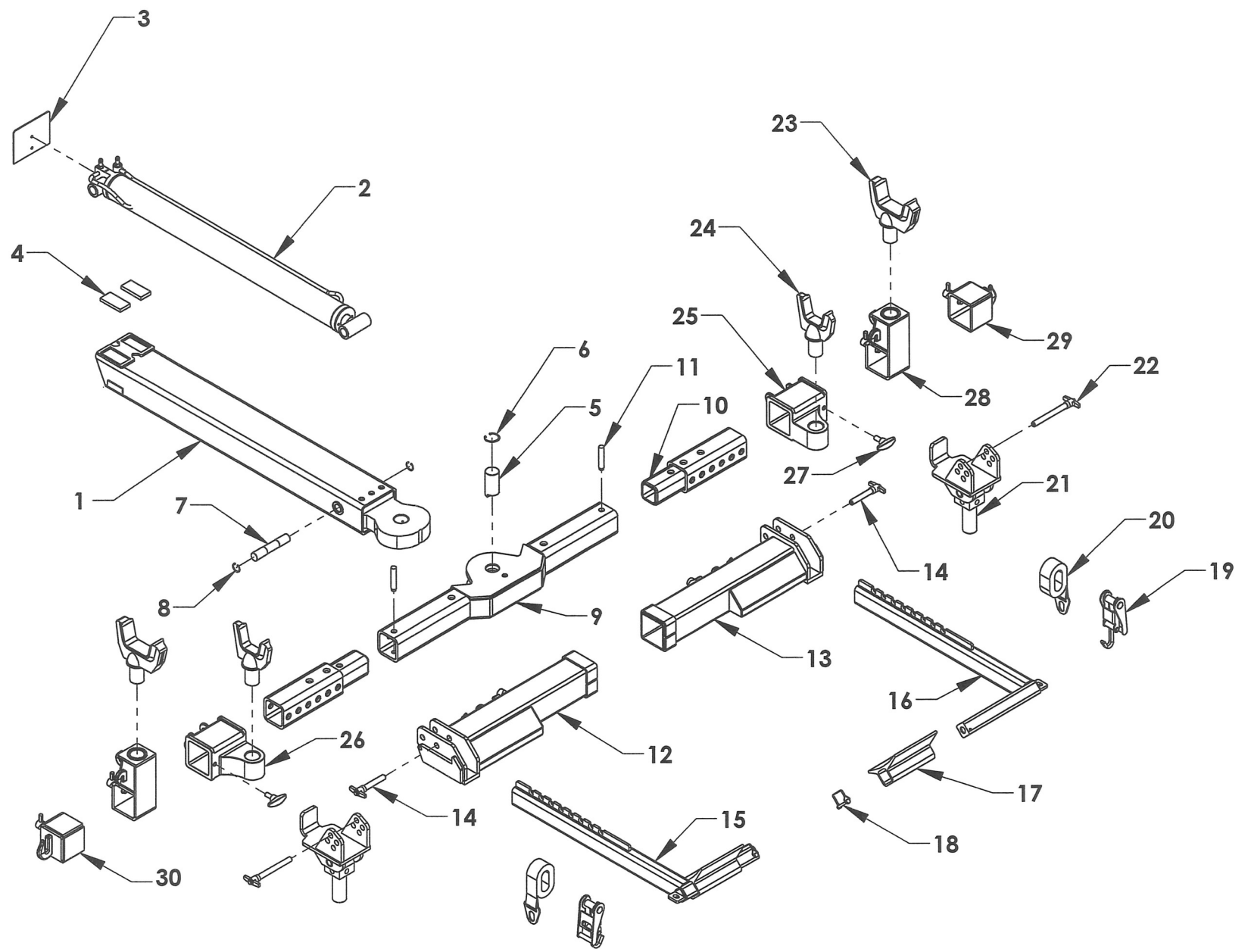


Section V - PARTS

1016 RECOVERY BOOM COMPONENTS

REF	PART #	DESCRIPTION	QPU
1	6I6020	INTEGRATED BOOM OUTER	1
2	6I6050	INNER BOOM TUBE	1
3	6I6070	UNDERLIFT OUT TUBE	1
4	7216165	BOOM EXTENSION CYLINDER	1
5	63595	NYLATRON WEAR PAD 1/2 x 2 x 4	6
6	6I602G	PIN 1.230 x 8.750	1
7	86125I	RETAINING RING 1.25 INTERNAL	4
8	63620	BOOM END SWIVEL	2
9	69140	PULLEY 7 INCH	2
10	61763	PULLEY BOLT	2
11	83812	NUT 1.125-12 NYLON LOCK	2
12	63530	CABLE FOLLOWER	2
13	86350E	RETAINING RING 3.50 EXTERNAL	2
14	6I6330L	TRUNNION BRACKET - LEFT	1
15	6I6330R	TRUNNION BRACKET - RIGHT	1
16	7216164	BOOM LIFT CYLINDER	2
17	7216161	UNDERLIFT TILT/FOLD CYLINDER	1
18	71115D	PLANETARY WINCH 15,000 LB.	2
19	A90210	CABLE TENSIONER PLATE	2
20	A90214	SPRING PLATE	2
21	A90215	MANDREL	2
22		TENSIONER TORSION SPRING LH	1
23		TENSIONER TORSION SPRING RH	1
24	6I602F	PIN 1.230 x 11.438	1
25	86125E	RETAINING RING 1.25 EXTERNAL	2
26	63450	BOOM ANTLER	1
27	6I60370	PIN 1.480 x 6.313	2
28	266035	PIN 1.480 x 8.188	2
29	6I6048	PIN 1.975 x 10.625	1
30	86200I	RETAINING RING 2.00 INTERNAL	6
31	63431	UHMW WEAR PAD 1/2 x 4 x 7.5	1
32	86910	CABLE TENSION SPRING	2
33	6I6049	PIN 1.975 x 12,938	1
34	6I6078	PIN 1.975 x 8.438	1
35	6I6079	PIN 1.230 x 9.125	1
36	81117	CAP SCREW 5/16 x 7/8	2
27	82130	FLAT WASHER 5/16	2

Section V - PARTS
1016 UNDERLIFT COMPONENTS



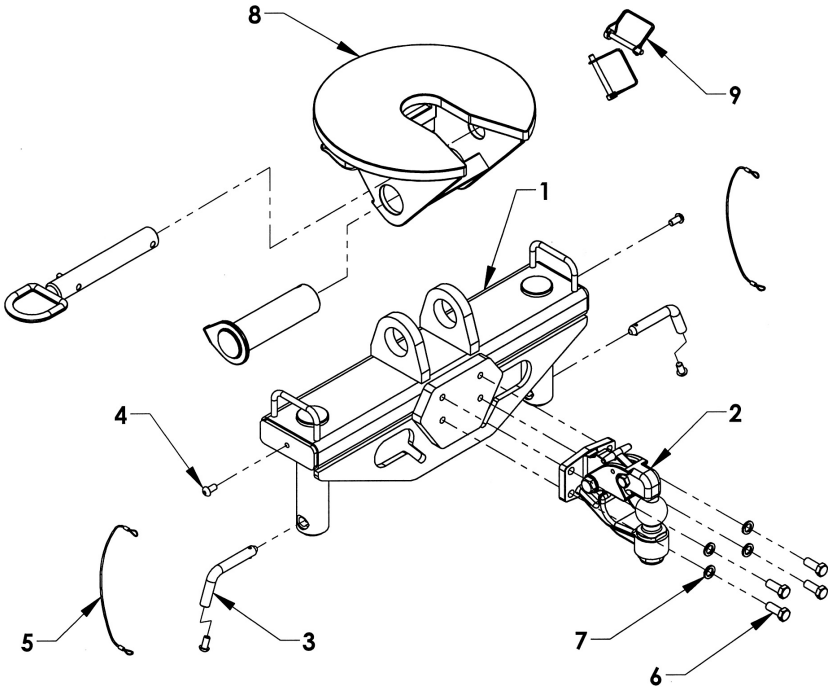
Section V - PARTS

1016 UNDERLIFT COMPONENTS

REF	PART #	DESCRIPTION	QPU
1	616080	INNERTUBE WELDMENT	1
2	7216163	WHEEL LIFT EXTENSION CYLINDER	1
3	61607A	GRAVEL GUARD	1
4	63595	WEAR PAD NYLATRON 1/2 x 2 x 4	2
5	66430	CROSSBAR PIVOT PIN	1
6	86200I	RETAINING RING 2 INCH INTERNAL	1
7	68321	PIN 1.230 x 6-5/8	1
8	86125I	RETAINING RING 1.25 INTERNAL	2
9	616090	CROSSBAR	1
10	6160950	CROSSBAR EXTENSION	2
11	68545	CROSSBAR EXTENSION PIN	2
12	68267L	WHEEL GRID - LEFT	1
13	68267R	WHEEL GRID - RIGHT	1
14	84922	T-PIN WITH LANYARD 3/4 x 3.50	2
15	66250L	LEFT L-ARM	1
16	66250R	RIGHT L-ARM	1
17	65245	REMOVABLE WHEEL PAN	2
18	84911	5/16 SAFETY SNAP PIN	2
19	65280A	RATCHET	2
20	65285	WHEEL STRAP	2
21	66320	SPRING SHACKLE ADAPTOR	2
22	84923	T-PIN 3/4 x 6.50	2
23	663545	4.5 INCH FRAME FORK	2
24	663530	3 INCH FRAME FORK	2
25	0803580	OFFSET FORK HOLDER - RIGHT	2
26	0803581	OFFSET FORK HOLDER - LEFT	2
27	66285P	T-HANDLE	2
28	66330	FORK HOLDER-ELEVATED	2
29	66A210R	CHAIN HOOK ADAPTER-RIGHT	1
30	66A210L	CHAIN HOOK ADAPTER-LEFT	1

Section V - PARTS

5TH WHEEL AND PINTLE HITCH GROUP



REF	PART #	DESCRIPTION	QPU
	663705G	PINTLE HITCH GROUP	1
1	663705W	PINTLE HITCH WELDMENT	1
2	A3020	TOW BALL PINTLE HITCH	1
3	66378	RETAINING PIN	2
4	812A6	3/8 x 5/8 BUTTON HEAD BOLT	4
5	5A220	LANYARD	2
6	81428	BOLT 1/2-13 x 1.25 GRADE 5 OR 8	4
7	82310	1/2 LOCK WASHER	4
8	66390	5TH WHEEL ASSEMBLY	1
9	84911	RETAINING PIN	2