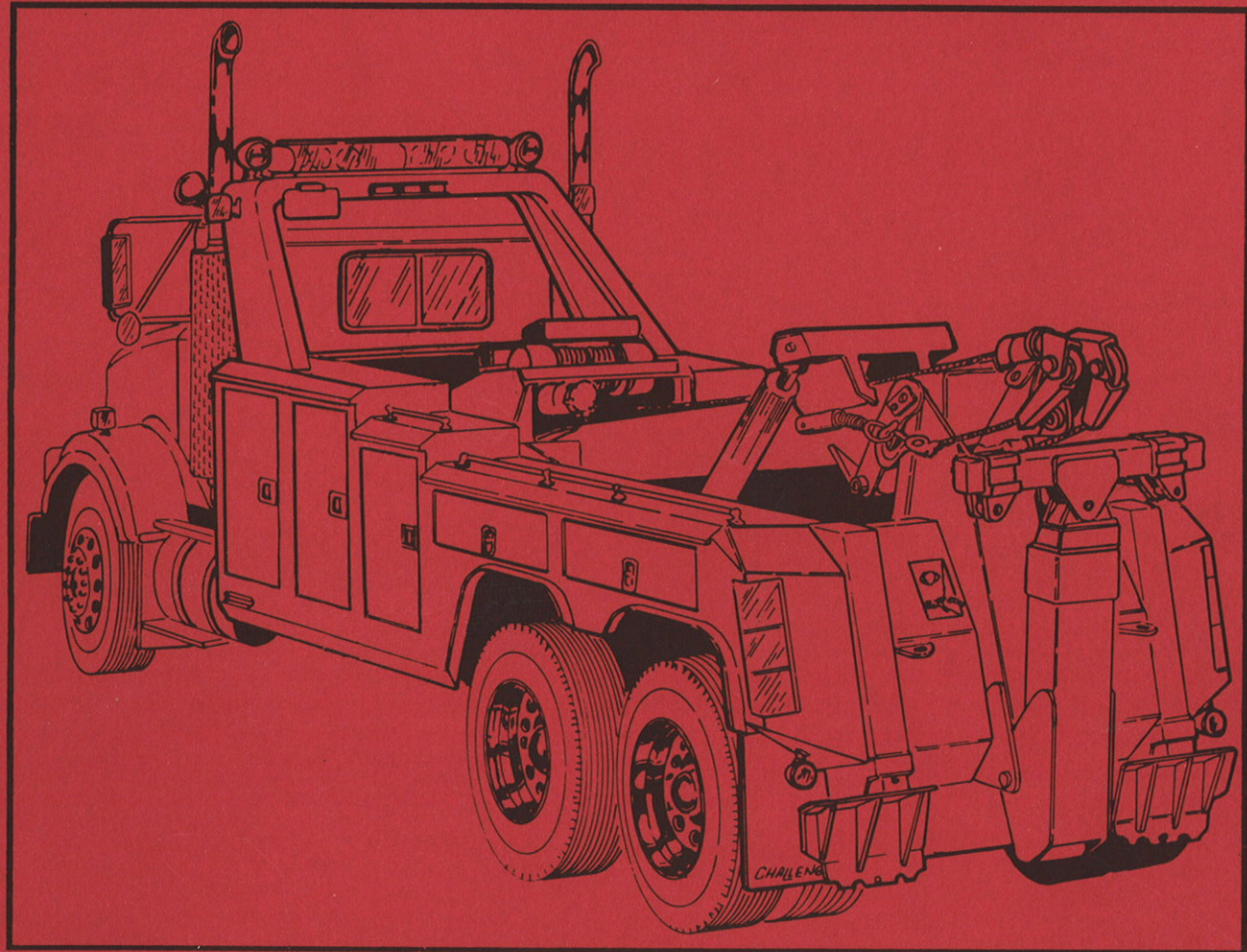


CHALLENGER®



OWNER'S MANUAL

CH-30T

CHALLENGER®

**Installation, Operation,
Maintenance & Parts**

NOTE: MANUAL, including SPECIFICATIONS, subject to change without notice. All ratings specified are based on structural factors only, not vehicle capacities or capabilities.

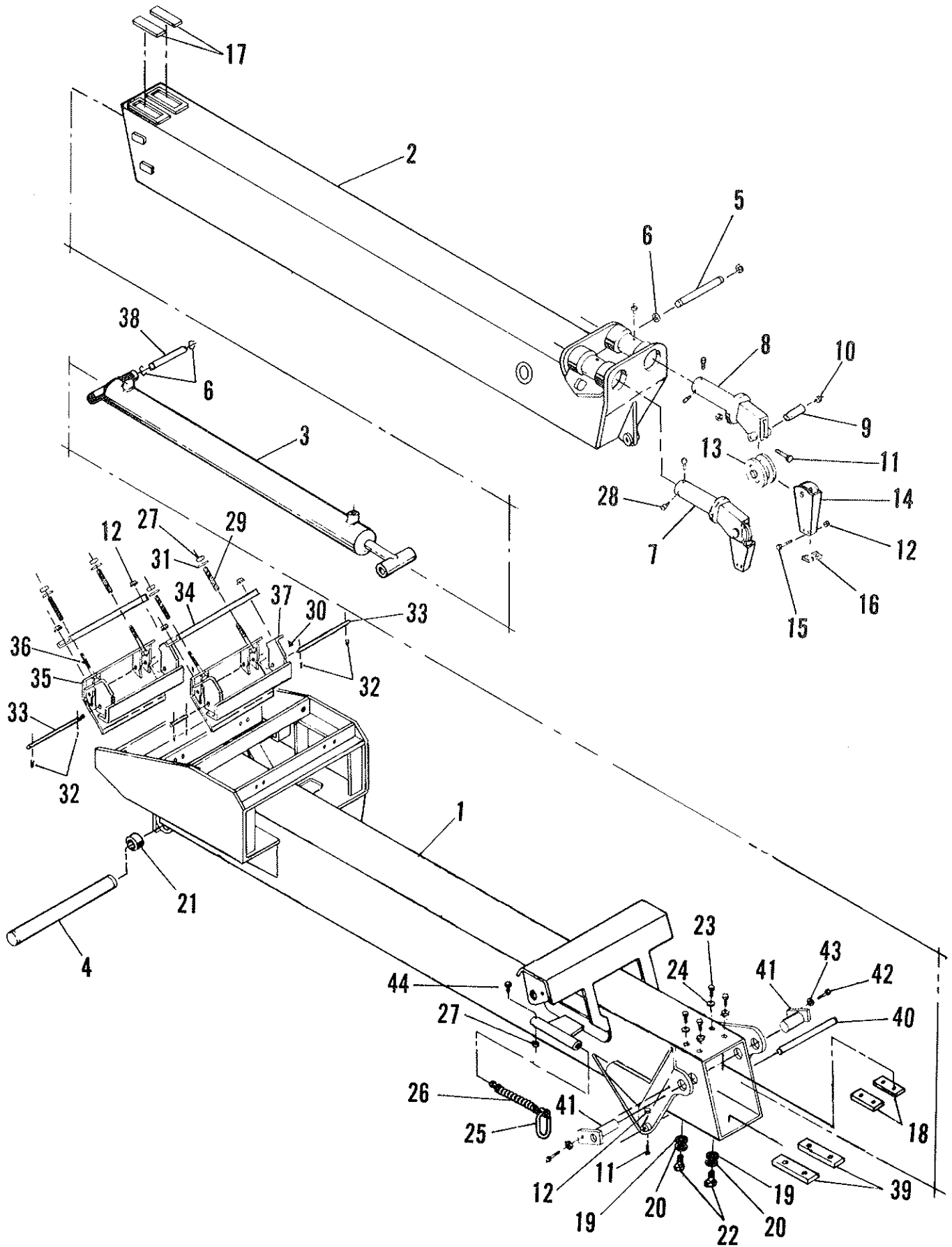
I-75 at Ooltewah Exit #11 • 8503 Hilltop Drive • Ooltewah, Tennessee 37363 • (615) 238-4171

Mailing Address: P.O. Box 50 • Ooltewah, Tennessee 37363 • FAX (615) 238-5371

FORM NO. 0500614

PRICE \$15.00

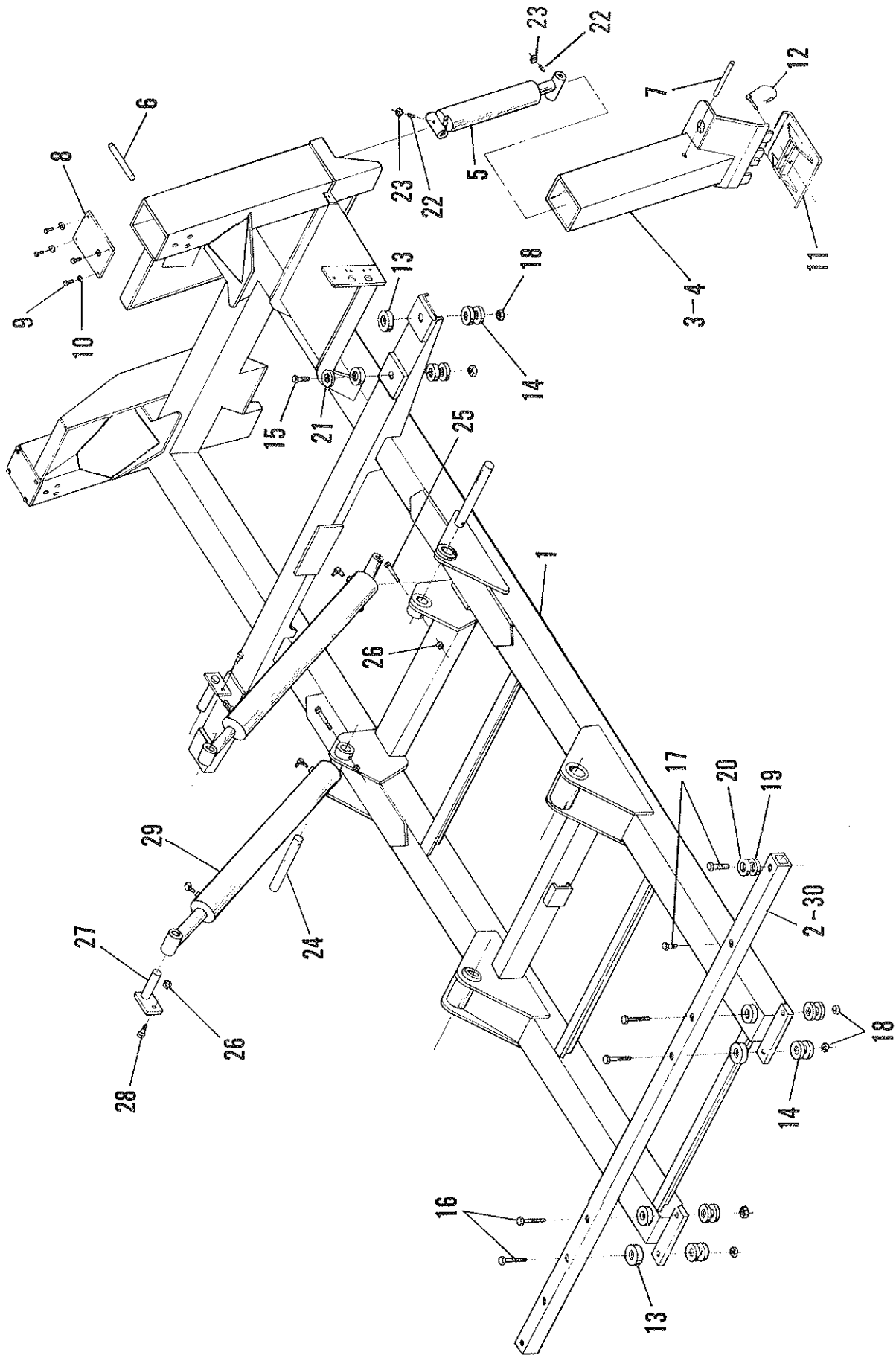
Section VII-PARTS-BOOM ASSEMBLY



Section VII-PARTS-BOOM ASSEMBLY

REF. NO.	NO. REQ'D	PART NUMBER	DESCRIPTION
1	1	0802752	OUTER BOOM
2	1	0802362	INNER BOOM
3	REF.	0302536	CYLINDER, BOOM EXTEND
4	1	0707176	PIN, BOOM PIVOT
5	1	0707119	PIN, EXTEND CYLINDER
6	4	0301959	SNAP RING, INTERNAL
7	1	0800509	SWIVEL WELDMENT-LEFT HAND
8	1	0800510	SWIVEL WELDMENT-RIGHT HAND
9	2	0700888	SHAFT-SHEAVE
10	4	0300113	GREASE FITTING
11	4	0400133	BOLT, 3/8"-16
12	16	0400392	NUT, 3/8"-16
13	2	0300626	SHEAVE, 8"
14	2	0800286	CABLE GUIDE
15	4	0400124	BOLT, 3/8"-16
16	4	0700801	CABLE GUIDE, BOTTOM
17	2	0700776	SLIDE PAD
18	2	0700778	TOP SPACER, OUTER BOOM
19	4	0400506	WASHER, 5/8" X 1, 3/4" ZP
20	4	0400508	WASHER, 5/8", HELICAL ZP
21	2	0302538	BUSHING, 3.5" OD X 3" ID X 2.5"
22	4	0400248	SCREW, 5/8"-11 X 1" H.H.C.S. GR#8 ZP
23	4	0400121	SCREW, 3/8"-16 X 3/4" H.H.C.S. ZINC PLATED
24	4	0400482	WASHER, 3/8" HELICAL
25	2	0301691	OBLONG LINK
26	2	0302273	SPRING
27	6	0400408	NUT, 1/2-13 NYLOK, ZP
28	6	0400554	ROLL- PIN
29	4	0302378	SPRING
30	8	0400132	SCREW, HEX. HD. 3/8"-16 X 1" GR5, ZP
31	8	0400492	WASHER
32	4	0400543	COTTER PIN, 1/8" X 3/4" STAINLESS STEEL
33	2	0707190	PIVOT ROD
34	2	0707235	SPRING CHANNEL
35	2	0802217	BRACKET
36	4	0802218	SPRING PIN
37	2	0802228	MOUNTING BRACKETS
38	1	0707158	PIN
39	2	0301923	SLIDE PAD, BOTTOM
40	1	0707792	PIN-TILT CYLINDER
41	2	0802365	PIN-TOWER PIVOT
42	2	0400176	SCREW
43	2	0400491	WASHER, 1/2" HELICAL LOCKWASHER-ZP
44	2	0400205	SCREW

Section VII - PARTS-WRECKER SUB-FRAME

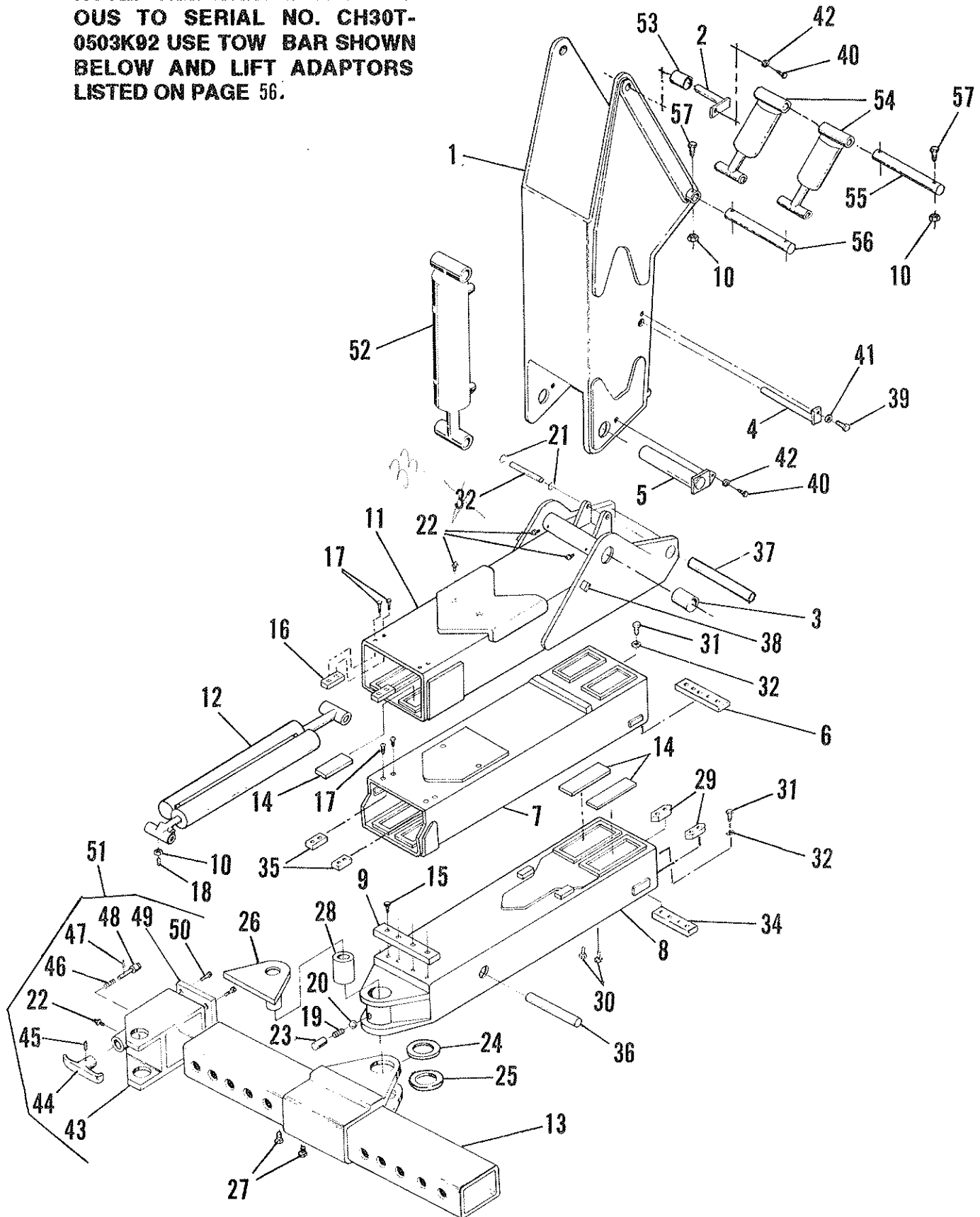


Section VII - PARTS-WRECKER SUB-FRAME

REF. NO.	NO. REQ'D	PART NUMBER	DESCRIPTION
1	1	0802368	SUB-FRAME
2	1	0802211	FRONT BODY MTG. TUBE, 156" BODY
3	1	0802200	LEFT INNER SPADE
4	1	0802201	RIGHT INNER SPADE
5	2	0300680	CYLINDER, HYDRAULIC, 4" BORE-23" STROKE
6	2	0707117	UPPER SPADE SHAFT
7	2	0700884	SHAFT, JACK, LOWER
8	2	0707194	COVER, SPADE TUBE
9	8	0400066	HEX, HD, CAP SCREW, 1/4"-20X3/4", H.H.C.S., CR5, ZP
10	8	0400452	LOCKWASHER, HELICAL 1/4"
11	2	0802221	SPADE PAD-5030
12	2	0707199	PIN, SPADE PAD
13	8	0302540	CENTER BONDED MOUNT (BE0102)
14	12	0302541	SPECIAL WASHER (BE 0103)
15	4	0400281	SCREW, ZINC PLATED, 3/4-10X3 1/2" H.H.C.S. GRADE 5
16	4	0400294	SCREW, ZINC PLATED, 3/4-10NC X 6-1/2" H.H.C.S. GRADE 5
17	4	0400276	SCREW, 5/8"-11X4.5" HHCS GR #5 ZP
18	4	0400430	NUT, 3/4-10 NYLOK ZP
19	8	0400506	WASHER, 5/8" X 1 3/4" ZP
20	4	0400508	WASHER, 5/8" HELICAL LOCKWASHER ZP
21	8	0400510	WASHER, 3/4" ZP
22	4	0400139	SET SCREW, 3/8" X 1-1/2" HEX SOCKET (HOLO KROME)
23	4	0400392	NUT, 3/8-16 NYLOK ZP
24	2	0707118	PIN
25	2	0400219	SCREW
26	4	0400408	NUT
27	2	0802219	LIFT CYLINDER PIN
28	2	0400181	SCREW
29	REF.	0300438	CYLINDER, LIFT
30	1	0802229	FRONT BODY MTG. TUBE, 180" BODY

Section VII-PARTS UNDERLIFT ASSEMBLY

NOTE: ALL WRECKERS PREVIOUS TO SERIAL NO. CH30T-0503K92 USE TOW BAR SHOWN BELOW AND LIFT ADAPTORS LISTED ON PAGE 56.



Section VII-PARTS UNDERLIFT ASSEMBLY

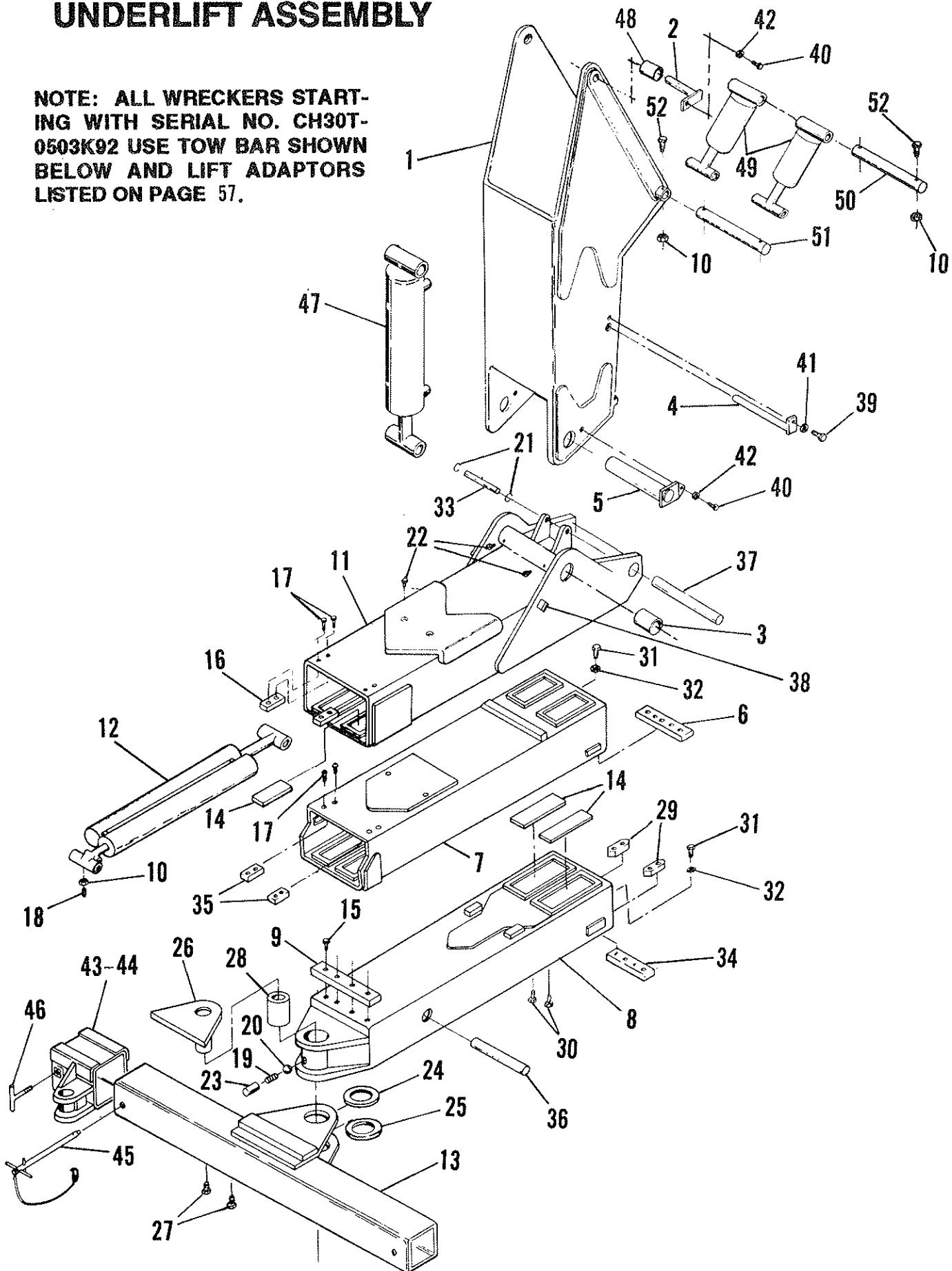
KA0

REF. NO.	NO. REQ'D	PART NUMBER	DESCRIPTION
1	1	0802364	TOWER
2	2	0802365	TOWER PIVOT PIN
3	2	0302538	BUSHING, 3.5" OD X 3" ID X 2.5" SPRG.
4	1	0802220	FOLD CYLINDER PIN WELDMENT
5	1	0802214	UNDERLIFT PIVOT PIN
6	1	0707028	BEARING PAD, BOLT-ON
7	1	0802199	2ND STAGE BOOM
8	1	0802202	3RD STAGE BOOM
9	1	0707016	RETRACTING BAR
10	6	0400392	NUT, 3/8-16 NYLOK HEX ZP
11	1	0802204	UNDERLIFT OUTER BOOM
12	1	0302206	CYLINDER, PIGGYBACK
13	1	KA0435	CROSSBAR, WELDMENT, CH-30
14	8	0302561	SLIDE PAD
15	4	0440142	SCREW, SOCKET, 3/8-16 X 3/4" ZINC PLATED
16	2	0707034	STOP PLATE
17	8	0400228	BUTT HD. SOCKET SCREW, 3/8-24 X 5/8
18	2	0400139	SET SCREW, 3/8 X 1-1/2" (HOLO KROME)
19	1	0301197	CPMP, SPRING, CROSS BAR
20	1	0301398	STEEL BALL, 1-3/16" DIA.
21	2	0300110	SNAP RING, 1"
22	8	0300113	GREASE FITTING, ALEMITE
23	1	KA0436	SPACER-DETENT BALL
24	2	0302006	THRUST WASHER, 1/16"
25	1	0306949	THRUST WASHER, 1/8"
26	1	0802136	PIVOT PIN
27	2	0400278	SCREW, 3/4-10 NC X 2" SOCKET FL.
28	1	0302019	BUSHING
29	2	0302505	SLIDE PAD, BOOM SIDE
30	4	0400223	SCREW, 3/8-16NC X 3/4" FLAT HD.
31	9	0400147	SCREW, 3/8-24 X 5/8" H.H.C.S. ZINC PLATED
32	9	0400481	WASHER, 3/8"
33	1	0707179	PIN
34	1	0706996	SPACER PAD
35	2	0706995	STOP BLOCK, 2ND STAGE
36	1	0707019	EXTEND CYLINDER SHAFT
37	1	0707116	EXTEND CYLINDER SHAFT
38	1	0706432	STOP BLOCK
39	1	0400121	SCREW, 3/8-16 X 3/4" H.H.C.S. ZINC PLATED
40	4	0400176	SCREW, 1/2-13 X 1" H.H.C.S. ZINC PLATED
41	1	0400482	WASHER, 3/8" HELICAL LOCKWASHER-ZP
42	4	0400491	WASHER, 1/2" HELICAL LOCKWASHER-ZP
43	2	KA0385	TOOL HOLDER, WELDMENT
44	2	GA0120	HANDLE-PULL GRIP
45	2	HD0108	SPRING PIN
46	2	HD1191	PLUNGER SPRING
47	2	0400560	ROLL PIN, 5/32" X 1" ZP
48	2	GA0119	PLUNGER PIN-1 1/4" HEAD
49	2	KA0388	PAD, BUMPER TOOL, HOLDER
50	8	0400221	SOCKET HD. SET SCREW, 3/8"-16 X 1" NC
51	2	KA0389	TOOL HOLDER ASSEMBLY
52	1	0302537	CYLINDER, FOL
53	2	FB0205	BUSHING
54	2	0302785	TILT CYLINDER
55	1	0707792	TILT CYLINDER PIN
56	1	0707793	TILT CYLINDER PIN
57	4	0400133	SCREW

Section VII-PARTS

UNDERLIFT ASSEMBLY

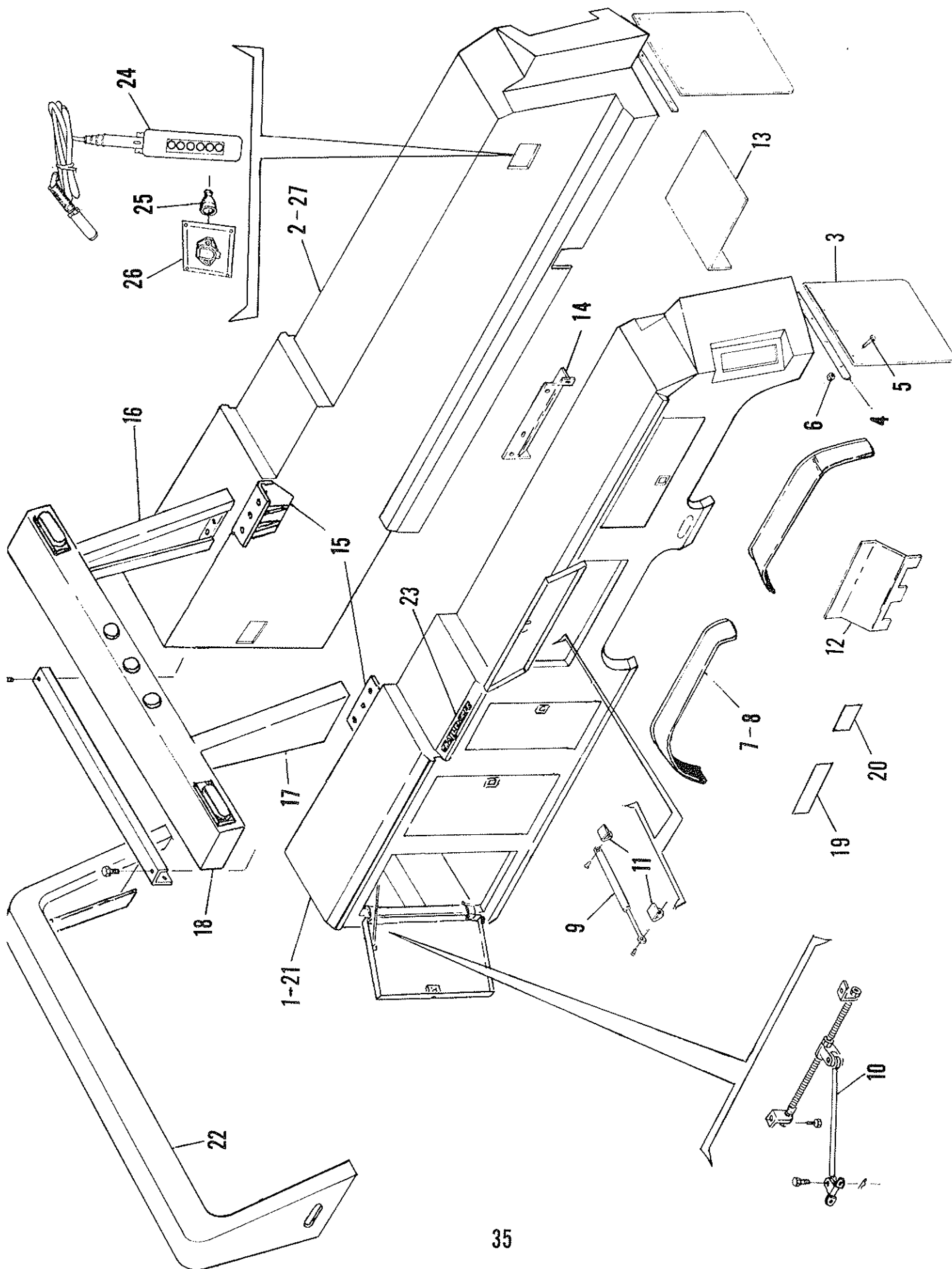
NOTE: ALL WRECKERS STARTING WITH SERIAL NO. CH30T-0503K92 USE TOW BAR SHOWN BELOW AND LIFT ADAPTORS LISTED ON PAGE 57.



Section VII-PARTS UNDERLIFT ASSEMBLY

REF. NO.	NO. REQ'D	PART NUMBER	DESCRIPTION
1	1	0802364	TOWER
2	2	0802365	TOWER PIVOT PIN
3	2	0302538	BUSHING, 3.5" OD X 3" ID X 2.5" SPRG.
4	1	0802220	FOLD CYLINDER PIN
5	1	0802214	UNDERLIFT PIVOT PIN
6	1	0707028	BEARING PAD, BOLT ON
7	1	0802199	2ND STAGE BOOM
8	1	0802202	3RD STAGE BOOM
9	1	0707016	RETRACTING BAR
10	6	0400392	NUT, NYLOK HEX, 3/8-16 ZP
11	1	0802204	UNDERLIFT OUTER BOOM
12	1	0302206	CYLINDER, PIGGYBACK
13	1	0802282	CROSSBAR, WELDMENT
14	8	0302561	SLIDE PAD
15	4	0400142	SCREW, SOCKET, 3/8-16 X 3/4" ZINC PLATED
16	2	0707034	STOP PLATE
17	8	0400228	BUTTON HD. SOCKET SCREW, 3/8-24 X 5/8
18	2	0400139	SET SCREW, 3/8" X 1 1/2" (HOLD KROME)
19	1	0301197	COMP. SPRING, CROSS BAR
20	1	0301398	STEEL BALL, 1-3/16" DIA.
21	2	0300110	SNAP RING
22	6	0300113	GREASE FITTING, ALEMITE
23	1	0704000	SPACER-DETENT SPRING
24	2	0302006	THRUST WASHER, 1/16"
25	1	0706949	THRUST WASHER, 1/8"
26	1	0802136	PIVOT PIN
27	2	0400278	SCREW, 3/4-10 NC X 2" SOCKET FL.
28	1	0302019	BUSHING
29	2	0302505	SLIDE PAD, BOOM SIDE
30	4	0400223	SCREW, 3/8-16 NC X 3/4" FLAT HD.
31	9	0400147	SCREW, 3/8-24 X 5/8" H.H.C.S.
32	9	0400481	WASHER, 3/8" EXTERNAL
33	1	0707179	PIN
34	1	0706996	SPACER PAD
35	2	0706995	STOP BLOCK, 2ND STAGE
36	1	0707019	EXTEND CYLINDER SHAFT
37	1	0707116	EXTEND CYLINDER SHAFT
38	1	0706432	STOP BLOCK
39	1	0400121	SCREW, 3/8-16 X 3/4" H.H.C.S. ZINC PLATED
40	4	0400176	SCREW, 1/2-13 X 1" H.H.C.S. ZINC PLATED
41	1	0400482	WASHER, 3/8" HELICAL LOCKWASHER-ZP
42	4	0400491	WASHER, 1/2" HELICAL LOCKWASHER-ZP
43	REF.	0802155	FORK ADAPTOR, L.H.
44	REF.	0802156	FORK ADAPTOR, R.H. (SHOWN)
45	2	0900900	RETAINER PIN, SPRING LIFT BRACKET
46	REF.	0801184	TEE HANDLE
47	1	0302537	CYLINDER, FOLD
48	2	RB0205	BUSHING
49	REF.	0302785	TILT CYLINDER
50	1	0707792	TILT CYLINDER PIN
51	1	0707793	TILT CYLINDER PIN
52	4	0400133	SCREW

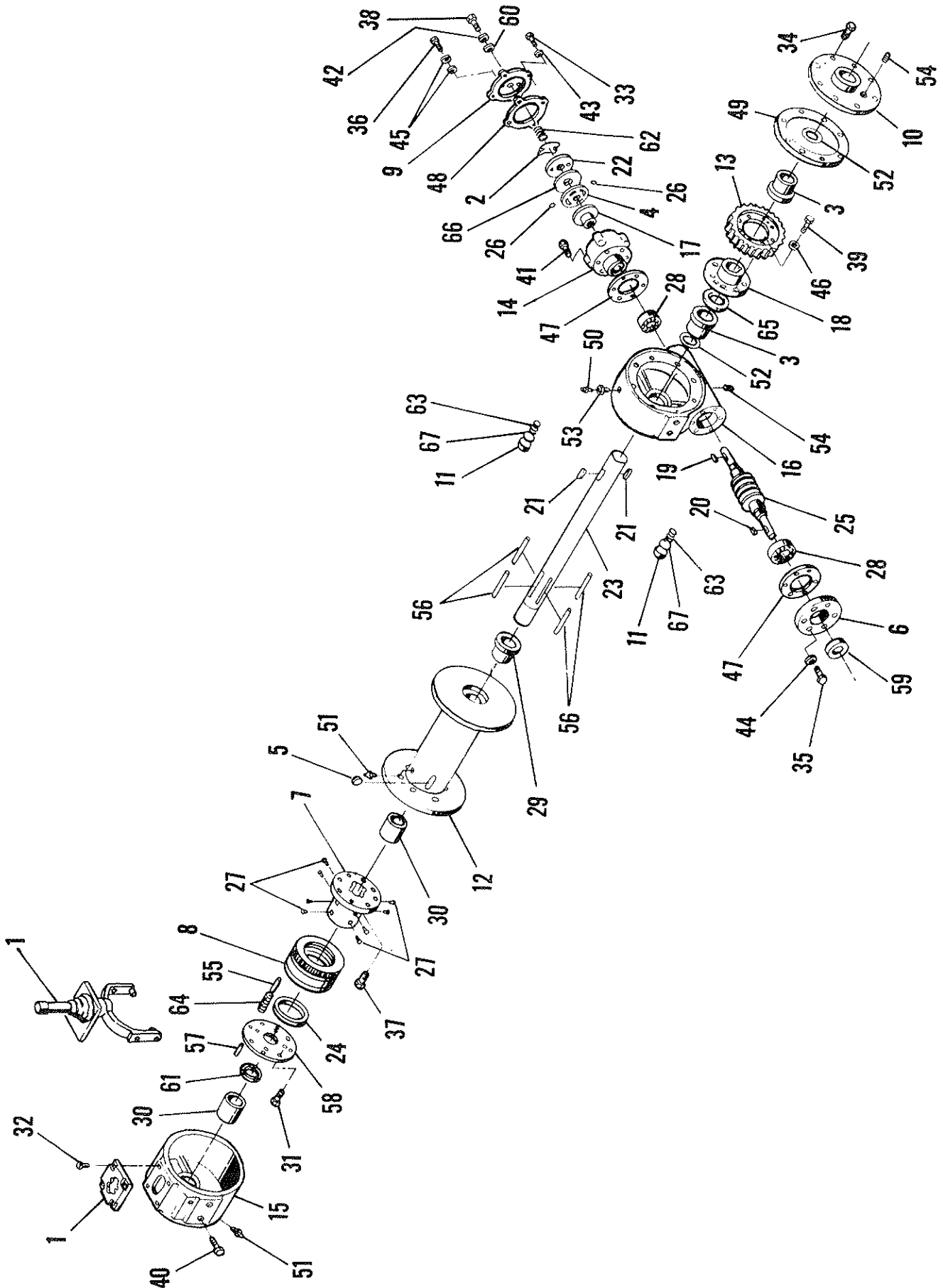
Section VII-PARTS- BODY ASSEMBLY



Section VII-PARTS-BODY ASSEMBLY

REF. NO.	NO. REQ'D	PART NUMBER	DESCRIPTION
1	1	0303000	TOOL BOX, LEFT 156" C.B.
2	1	0303001	TOOL BOX, RIGHT 156" C.B.
3	2	MA0367	MUD FLAP, CHALLENGER
4	2	0705092	BAR, MUDFLAP
5	8	0400122	HEX. HD. CAP SCREW, 3/8"-16 X 1 1/4" GD5 ZP
6	8	0400392	NYLOK HEX. NUT ZP, 3/8"-16
7	4	VA0452	FENDER, FIBERGLASS
8	52	0400566	RIVET, 1/4"
9	4	0302300	GAS SPRING CYLINDER (100 LB.)
10	6	0301912	DOOR CHECK, 11"
11	8	0302572	L-BRACKET
12	1	0707464	CONTROL PANEL
13	1	0708514	VALVE COVER
14	1	0802369	SPLASH GUARD
15	2	0802226	MOUNTING BRACKET
16	1	0802225	VERTICAL SUPPORT, R.H.
17	1	0802224	VERTICAL SUPPORT, L.H.
18	1	0802260	TOP CHANNEL
19	1	0500583	DECAL-CONTROL PANEL
20	1	0500584	DECAL-TILT CONTROL PANEL
21	1	0303002	TOOL BOX, LEFT 180" CB
22	1	0302562	LIGHT BAR, DELUX (OPT.)
23	1	0902286	CHALLENGER NAME PLATE KIT
24	1	0302558	HAND CONTROL ASSEMBLY
25	1	0301909	RECEPTACLE BOOT
26	1	0707231	PLATE, SOCKET MOUNTING
27	1	0303003	TOOL BOX, RIGHT 180" CB

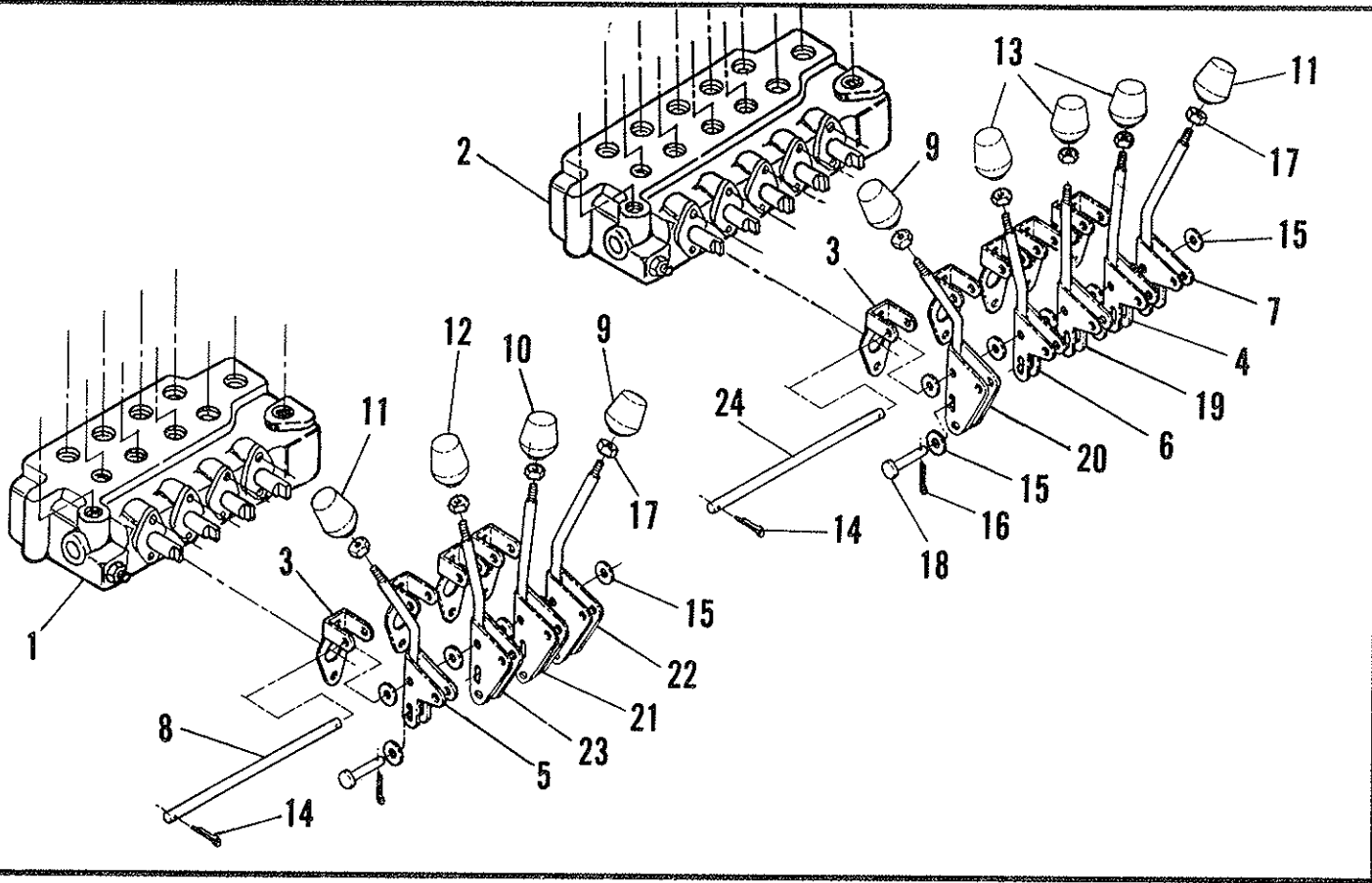
Section VII-PARTS-WINCH ASSEMBLY MODEL 800 DOW-LOK®



Section VII-PARTS-WINCH ASSEMBLY MODEL 800 DOW-LOK®

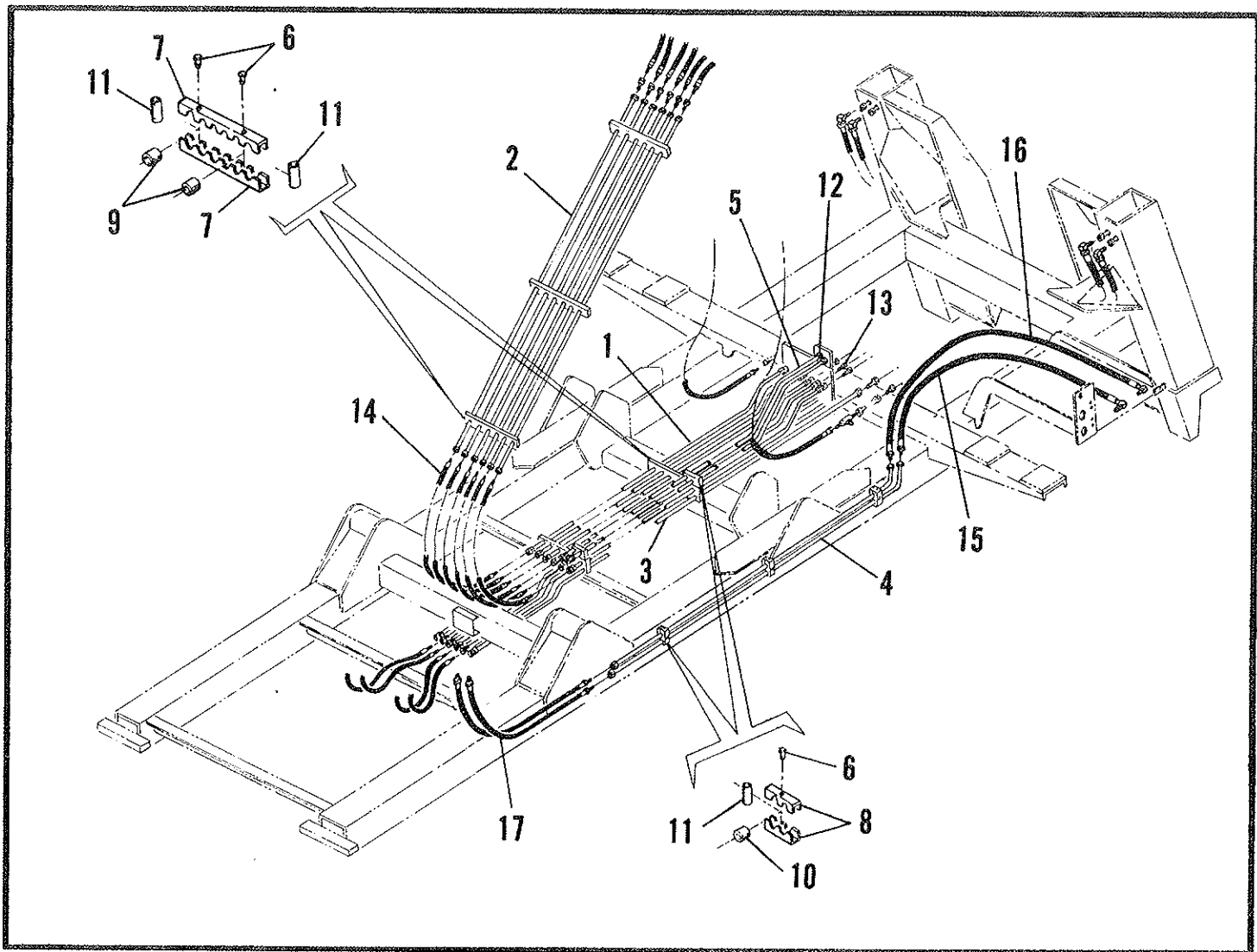
REF. NO.	NO. REQ'D	PART NUMBER	DESCRIPTION
1	1	276033	SHIFTER ASS'Y
2	1	306035	SPRING-FLAT
3	2	308083	BUSHING
4	1	314007	CAM PLATE
5	1	314010	CABLE ANCHOR
6	1	316008	CAP-BEARING
7	1	324151	CLUTCH
8	1	324318	LOCKING RING
9	1	328027	COVER-BRAKE
10	1	328122	COVER-GEAR HSG.
11	2	330010	SHOE-DRAG BRAKE
12	1	332120	DRUM
13	1	334086	GEAR-R.H.
14	1	338221	HOUSING-BRAKE
15	1	338235	HOUSING-CLUTCH
16	1	338242	HOUSING-GEAR
17	1	340011	HUB-BRAKE
18	1	340068	HUB-GEAR
19	1	342059	KEY
20	1	342092	KEY
21	2	342153	KEY
22	1	352021	PLATE-RETAINER
23	1	357433	SHAFT-DRUM
24	1	362224	SPACER
25	1	368082	WORM-R.H.
26	2	400007	BALL-BRAKE
27	8	400011	BALL-CLUTCH
28	2	402045	BEARING-BALL
29	1	412051	BUSHING
30	2	412052	BUSHING
31	4	414038	CAPSCREW 1/4-20 NC X 3/4 LG. HX. HD. GR.5
32	4	414069	CAPSCREW 5/16-18 NC X 3/4 LG. HX. HD.
33	4	414111	CAPSCREW 5/16-18 NC X 1 LG. HX. HD. GR. 5
34	8	414277	CAPSCREW 3/8-16 NC X 1 LG. HD. GR. 5 NYLOK HVY. PATCH
35	6	414282	CAPSCREW 3/8-16 NC X 1-1/4 LG. HX. HD. GR.5
36	2	414399	CAPSCREW 3/8-24NF X 1-1/4 LG. HX. HD. ALL-THRD. GR. 5 NY. H/P
37	8	414571	CAPSCREW 1/2-20NF X 1 LG. HX. HD. GR. 5
38	1	414603	CAPSCREW 1/2-20 NG X 1-3/4 LG. HX. HD. ALL-THRD. GR. 5
39	8	414606	CAPSCREW 1/2-20NF X 2 LG. HX. HD. GR. 8
40	2	414619	CAPSCREW 1/2-13NC X 2-1/2 LG. HX. HD. ALL-THRD.
41	6	414897	CAPSCREW 3/8-16NC X 1 LG. SOC. HD.
42	1	418067	NUT 1/2-20NF HX. JAM
43	4	418163	LOCKWASHER 5/16 MED. SECT. C.P.
44	6	418177	LOCKWASHER 3/8 MED. SECT. C.P.
45	4	418184	WASHER-FLAT 3/8 ALUM.
46	8	418217	LOCKWASHER 1/2 MED. SECT.
47	2	442192	GASKET
48	1	442194	GASKET
49	1	442195	GASKET
50	1	456008	FITTING-RELIEF
51	2	456031	FITTING-LUBE
52	2	462013	QUAD-RING
53	1	468002	REDUCER
54	2	468011	PIPE PLUG
55	4	470042	PIN-ROLL
56	4	470044	PIN-DOWEL
57	4	470058	PIN-ROLL
58	1	474030	PLATE-RETAINER
59	1	486068	SEAL-OIL
60	1	486076	THREAD SEAL
61	1	490025	RING-RETAINER
62	1	494010	SPRING
63	2	494022	SPRING-DISC
64	4	494069	SPRING
65	1	518016	THRUST WASHER
66	1	530007	DISC-BRAKE
67	2	530094	SPACER- BRAKE

Section VII-PARTS-CONTROL ASSEMBLY



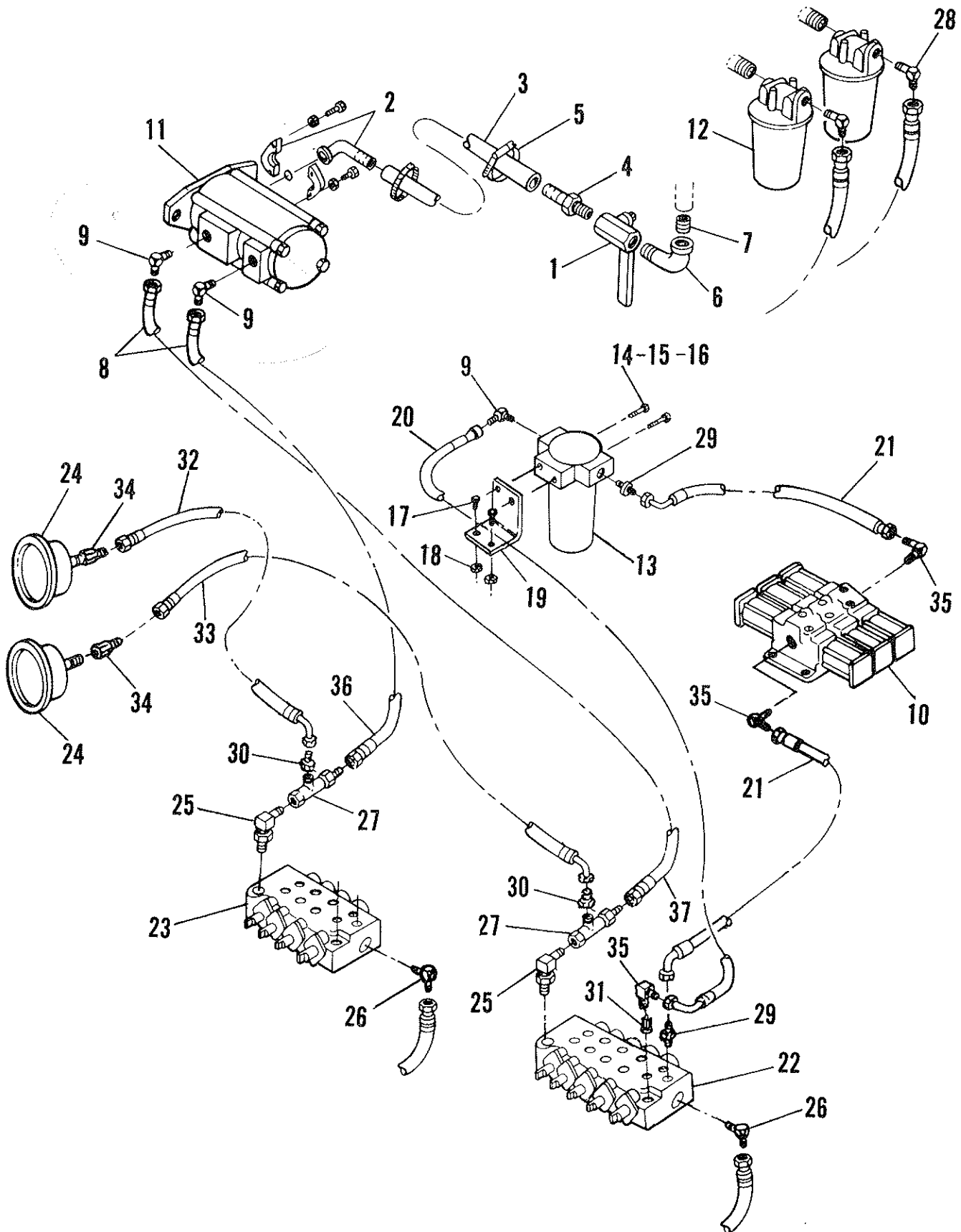
REF. NO.	NO. REQ'D	PART NUMBER	DESCRIPTION
1	1	0300011	VALVE, 4 SPOOL CONTROL, LEFT
2	1	0302782	VALVE, 5 SPOOL CONTROL, RIGHT
3	9	0301638	BRACKET, CONTROL HANDLE
4	1	0800795	CONTROL HANDLE
5	1	0800798	CONTROL HANDLE
6	1	0800797	CONTROL HANDLE
7	1	0800796	CONTROL HANDLE
8	1	0702983	ROD, CONTROL HANDLE
9	2	0300834	KNOB, CONTROL (IN-OUT)
10	1	0300835	KNOB-BOOM UP-DOWN
11	2	0300836	CONT. KNOB-JACK UP-DOWN
12	1	0300837	KNOB-BOOM IN-OUT
13	3	0300341	KNOB, W/L X-BAR CONTROL
14	4	0400541	COTTER PIN, 1/16" X 3/4 LG
15	27	0400465	WASHER, 5/16" SAE PLAIN
16	9	0400543	COTTER PIN, 1/8" X 3/4 LG.
17	9	0400393	NUT, 3/8"-16 JAM
18	9	0400532	CLEVIS PIN, 5/16" DIA. X 1" LG.
19	1	0801566	CONTROL HANDLE
20	1	0802264	CONTROL HANDLE
21	1	0802261	CONTROL HANDLE
22	1	0802262	CONTROL HANDLE
23	1	0802263	CONTROL HANDLE
24	1	0705242	ROD, CONTROL HANDLE

Section VII-PARTS - MAIN FRAME HYDRAULIC ASSEMBLY



REF. NO.	NO. REQ'D	PART NUMBER	DESCRIPTION
1	6	0302564	TUBE ASSEMBLY
2	6	0302624	TUBE ASSEMBLY
3	6	0302565	TUBE ASSEMBLY
4	2	0302567	TUBE ASSEMBLY
5	2	0302566	TUBE ASSEMBLY
6	17	0400118	SCREW, 5/16-18X3/4" HHCS GR5 ZP
7	9	0302548	CLAMPING UNIT
8	5	0302546	CLAMPING UNIT
9	54	0302549	BUSHING 1/2"-SPLIT
10	10	0302550	BUSHING 3/4"-SPLIT
11	23	0302551	STACKING NUTS
12	2	0301093	BULKHEAD UNION
13	12	0302576	BULKHEAD UNION W/NUT 8MJ-8 BLKHD
14	6	0302598	HOSE ASSEMBLY-32"
15	1	0302594	HOSE ASSEMBLY-52"
16	1	0302595	HOSE ASSEMBLY-62"
17	2	0302599	HOSE ASSEMBLY-36"

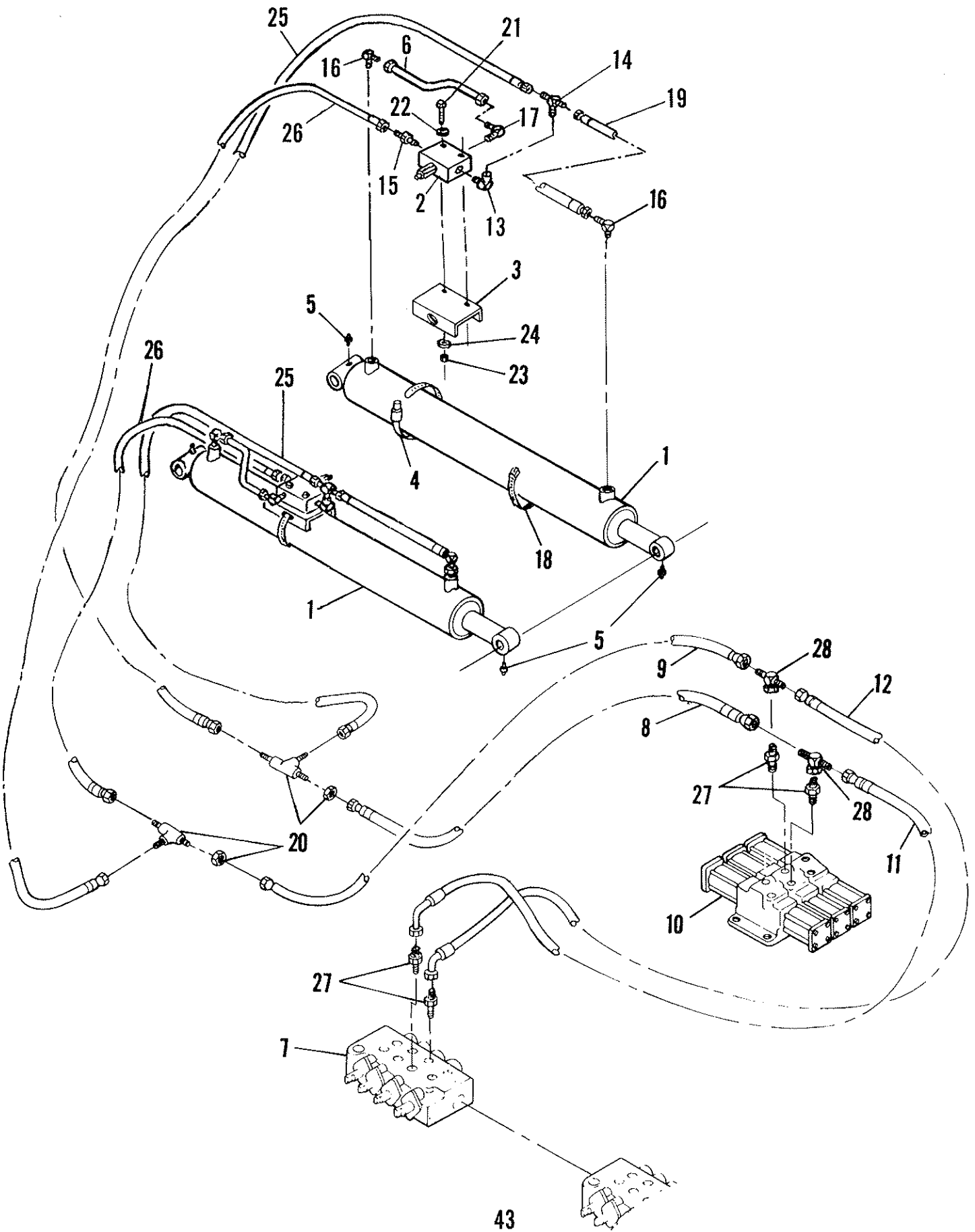
Section VII-PARTS PUMP HYD.-HI-PRESS & RETURN



Section VII-PARTS PUMP HYD.-HI-PRESS & RETURN

REF. NO.	NO. REQ'D	PART NUMBER	DESCRIPTION
1	1	0302088	VALVE, BRONZE BALL
2	1	0302242	FLANGE FITTING
3	1	0300671	SUCTION HOSE, 1 1/2" X 10 FT.
4	1	0300666	BARB
5	2	0300364	CLAMP, HOSE, 1"-2.25"
6	1	0300627	ELBOW, 90 DEG. STREET
7	1	0300891	PIPE NIPPLE, 1 1/2 X 3"
8	2	0301659	HOSE ASSEMBLY, 150"
9	3	0301547	ELBOW
10	1	0301883	SOLENOID VALVE
11	1	0301507	PUMP, HYDRAULIC, OPP. ENG.
12	2	0300136	FILTER ASSEMBLY
13	1	0302506	FILTER, IN-LINE
14	2	0400081	HEX. HD. CAP SCREW 1/4"-20 X 3-1/2"
15	2	0400451	FLATWASHER ZP, 1/4"
16	2	0400367	NYLON HEX, NUT ZP, 1/4"-20
17	2	0400126	HEX. HD. CAP SCREW, 3/8"-16X1
18	2	0400392	NYLOK HEX, NUT ZP, 3/8"-16
19	1	0707228	ANGLE, FILTER MOUNTING
20	1	0302331	HOSE ASSEMBLY, 22-1/2"
21	2	0301471	HOSE ASSEMBLY, 30"
22	REF.	0302782	VALVE, 5 SPOOL CONTROL
23	REF.	0300011	VALVE, 4 SPOOL CONTROL
24	2	0302205	GAUGE, HYDRAULIC PRESS
25	2	0300052	ELBOW, 90°
26	3	0301545	ELBOW
27	2	0302052	TEE
28	2	0300615	ELBOW
29	2	0301780	CONNECTOR
30	2	0301995	ADAPTOR
31	1	0300286	H.P. CARRY-OVER FITTING
32	1	0301908	HOSE ASSEMBLY, 14"
33	1	0302597	HOSE ASSEMBLY, 28"
34	2	0302577	ADAPTOR
35	3	0301388	ELBOW, 90 DEGREE
36	1	0302592	HOSE ASSEMBLY, 36"
37	1	0302593	HOSE ASSEMBLY, 54"

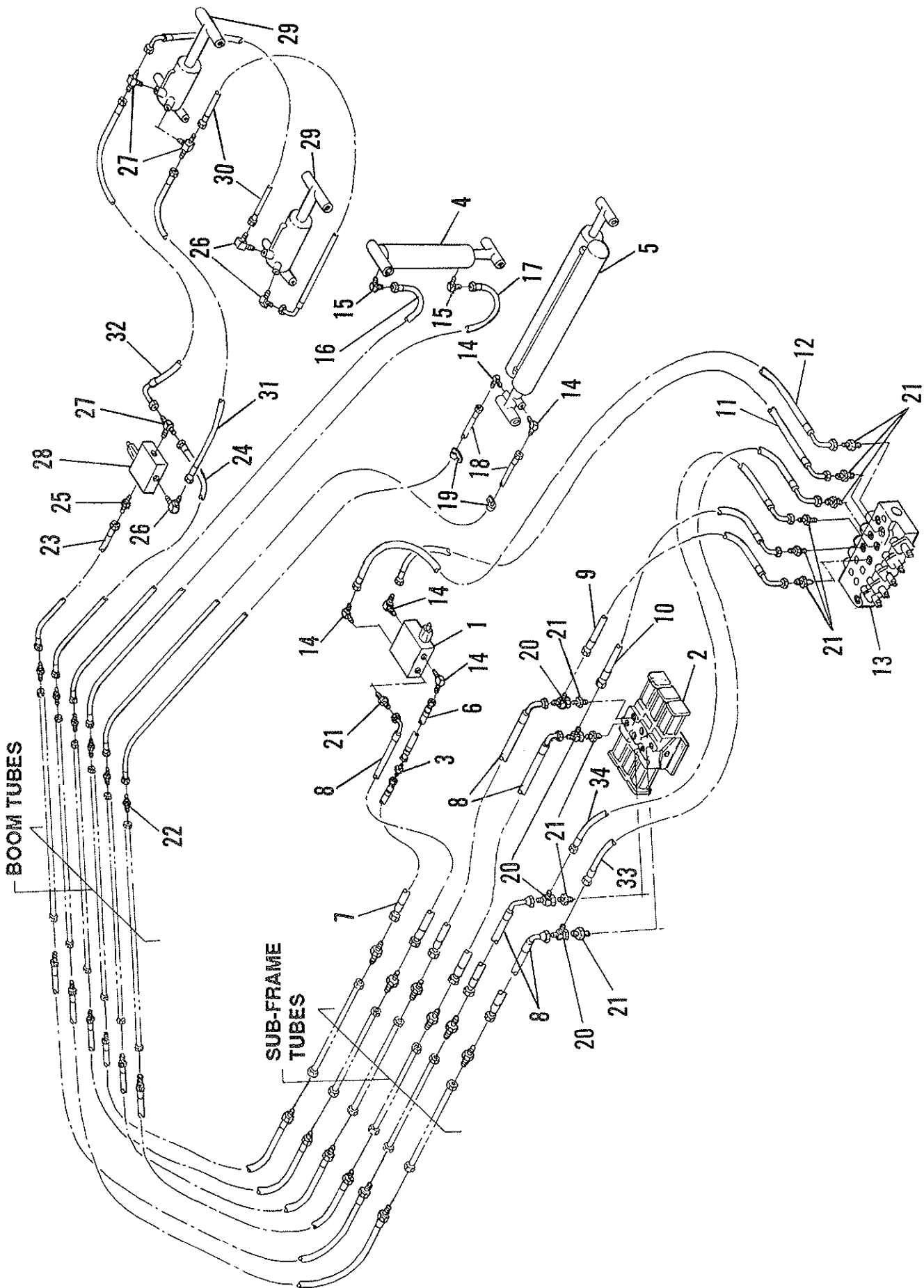
Section VII-PARTS- BOOM ELEVATION HYDRAULICS



Section VII-PARTS-BOOM ELEVATION-HYDRAULIC

REF. NO.	NO. REQ'D	PART NUMBER	DESCRIPTION
1	2	0300438	CYLINDER, LIFT
2	2	0301731	VALVE, HOLDING
3	2	0700238	BRACKET, HOLDING VALVE, LG
4	2	0300365	CLAMP, CHECK VALVE RET.
5	4	0300113	GREASE FITTING, ALEMITE
6	2	0302568	HYDRAULIC TUBING
7	REF.	0300011	VALVE, 4 SPOOL CONTROL
8	1	0302035	HOSE ASSEMBLY 18"
9	1	0302036	HOSE ASSEMBLY 26"
10	REF.	0301883	SOLENOID VALVE
11	1	0302582	HOSE ASSEMBLY 36"
12	1	0302581	HOSE ASSEMBLY 36"
13	2	0300147	ELBOW, STREET 4 MP-4FP 90 DEG
14	2	0300206	TEE, BRANCH 6MJ-6MJ-4MP
15	1	0301425	CONNECTOR
16	4	0301388	ELBOW, 90 DEG.
17	2	0302051	ELBOW, 90 DEG.
18	4	0302569	WIRE TIE, 29 3/4" LG.
19	2	0302583	HOSE ASSEMBLY 35 1/2"
20	2	0302575	TEE, BULKHEAD RUN
21	4	0400064	SCREW, RD. HD. SLOTTED 1/4"-20 X 2 1/4", ZP
22	4	0400451	WASHER, FLAT 1/4" ZP
23	4	0400366	NUT, HEX. 1/4"-20 ZP
24	4	0400452	WASHER, HELICAL LOCK 1/4" ZP
25	2	0302589	HOSE ASSEMBLY 50"
26	2	0302587	HOSE ASSEMBLY 40"
27	4	0300044	CONNECTOR, 6 MJ-8MB
28	2	0302573	TEE

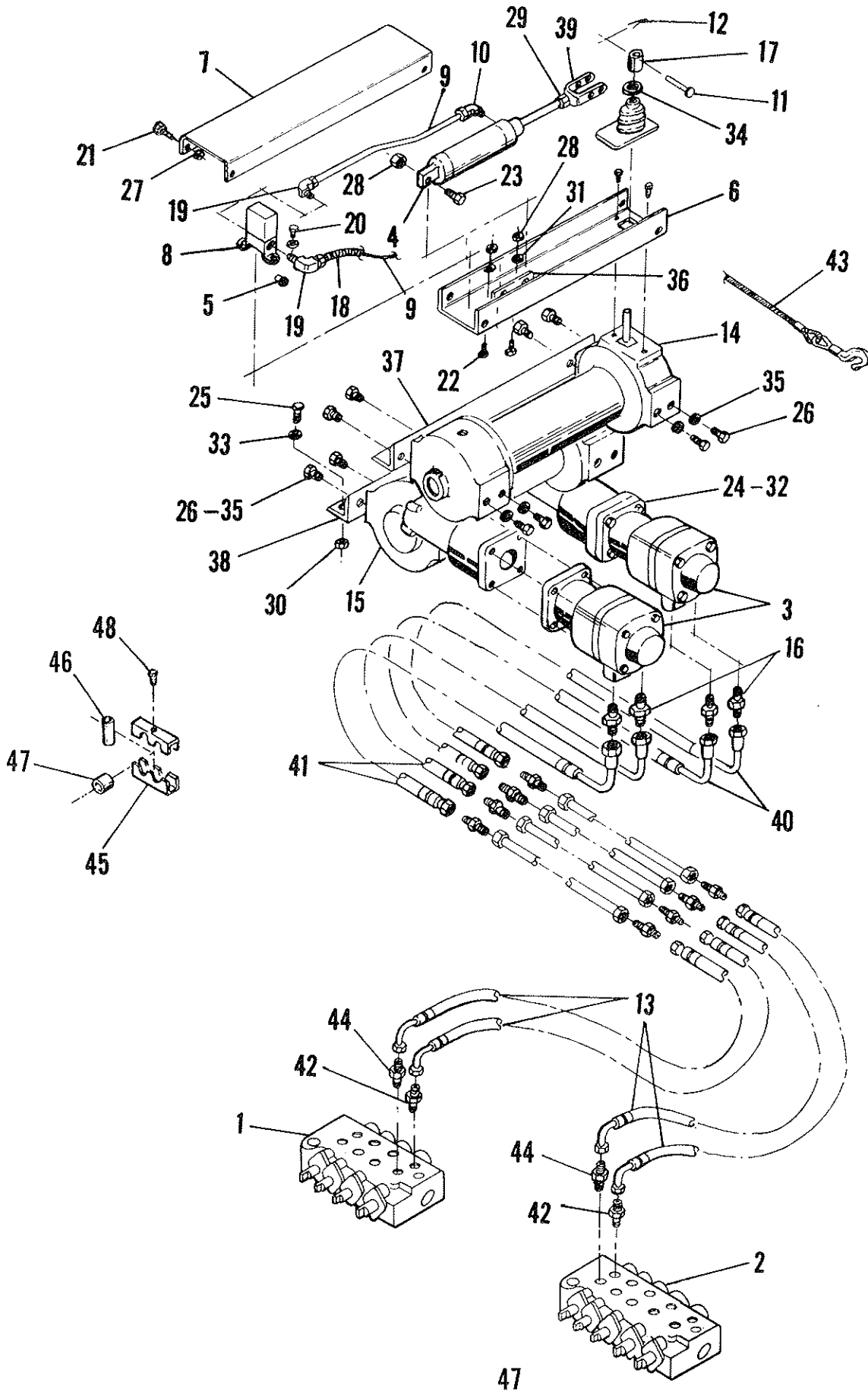
Section VII - PARTS - UNDERLIFT HYDRAULICS



Section VII-PARTS-UNDERLIFT HYDRAULIC

REF. NO.	NO. REQ'D	PART NUMBER	DESCRIPTION
1	1	0301730	DOUBLE HOLDING VALVE
2	REF	0301883	SOLENOID VALVE
3	1	0301837	INLINE ORIFICE
4	1	0302537	CYLINDER, FOLD
5	REF	0302206	CYLINDER, PIGGYBACK
6	1	0301908	HOSE ASSEMBLY 14"
7	1	0302606	HOSE ASSEMBLY 9"
8	3	0302579	HOSE ASSEMBLY 24"
9	1	0302586	HOSE ASSEMBLY 54"
10	1	0302585	HOSE ASSEMBLY 54"
11	1	0302582	HOSE ASSEMBLY 36"
12	1	0302581	HOSE ASSEMBLY 36"
13	REF	0302782	VALVE, 5 SPOOL CONTROL
14	5	0301470	ELBOW, 90 DEG.
15	2	0301620	ELBOW, 6 MJ-6MB90
16	1	0301664	HOSE ASSEMBLY 64"
17	1	0302812	HOSE ASSEMBLY 78"
18	2	0302813	HOSE ASSEMBLY 108"
19	4	0301601	HOSE CLAMP, INSUL, 5/8"
20	4	0301781	TEE, SWIVEL NUT RUN
21	9	0300044	CONNECTOR, 6MJ-8MB
22	6	0302514	ADAPTOR 8MJ-6MJ
23	1	0302634	HOSE ASSEMBLY
24	1	0302805	HOSE ASSEMBLY 10"
25	1	0301424	MALE CONNECTOR 6MJ-4MP
26	3	0300142	ELBOW 6MJ-4MP90
27	3	0300206	BRANCHTEE 6MJ-6MJ-4MP
28	1	0301731	HOLDING VALVE
29	2	0302785	CYLINDER, TILT
30	2	0302808	HOSE ASSEMBLY 18"
31	1	0301997	HOSE ASSEMBLY
32	1	0302807	HOSE ASSEMBLY 38"
33	1	0302814	HOSE ASSEMBLY
34	1	0302815	HOSE ASSEMBLY

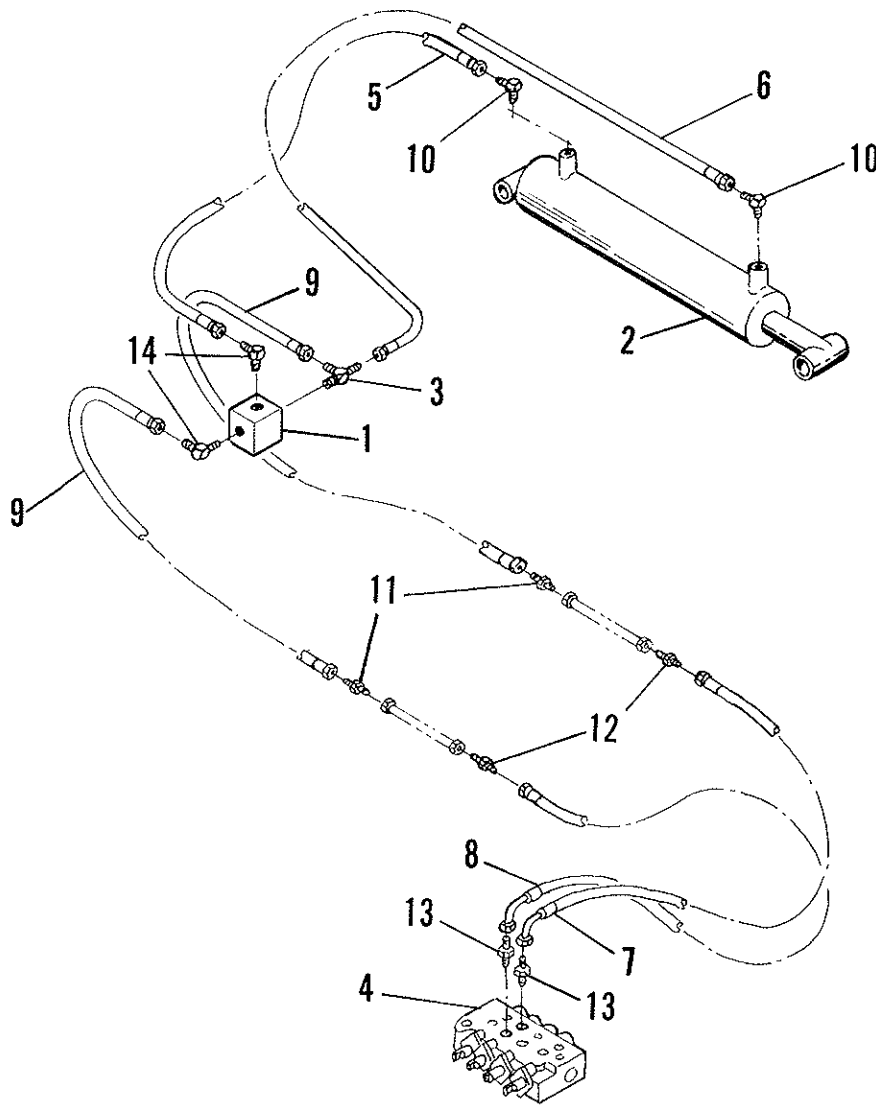
Section VII-PARTS-WINCH-AIR & HYDRAULIC



Section VII-PARTS-WINCH-AIR & HYDRAULIC

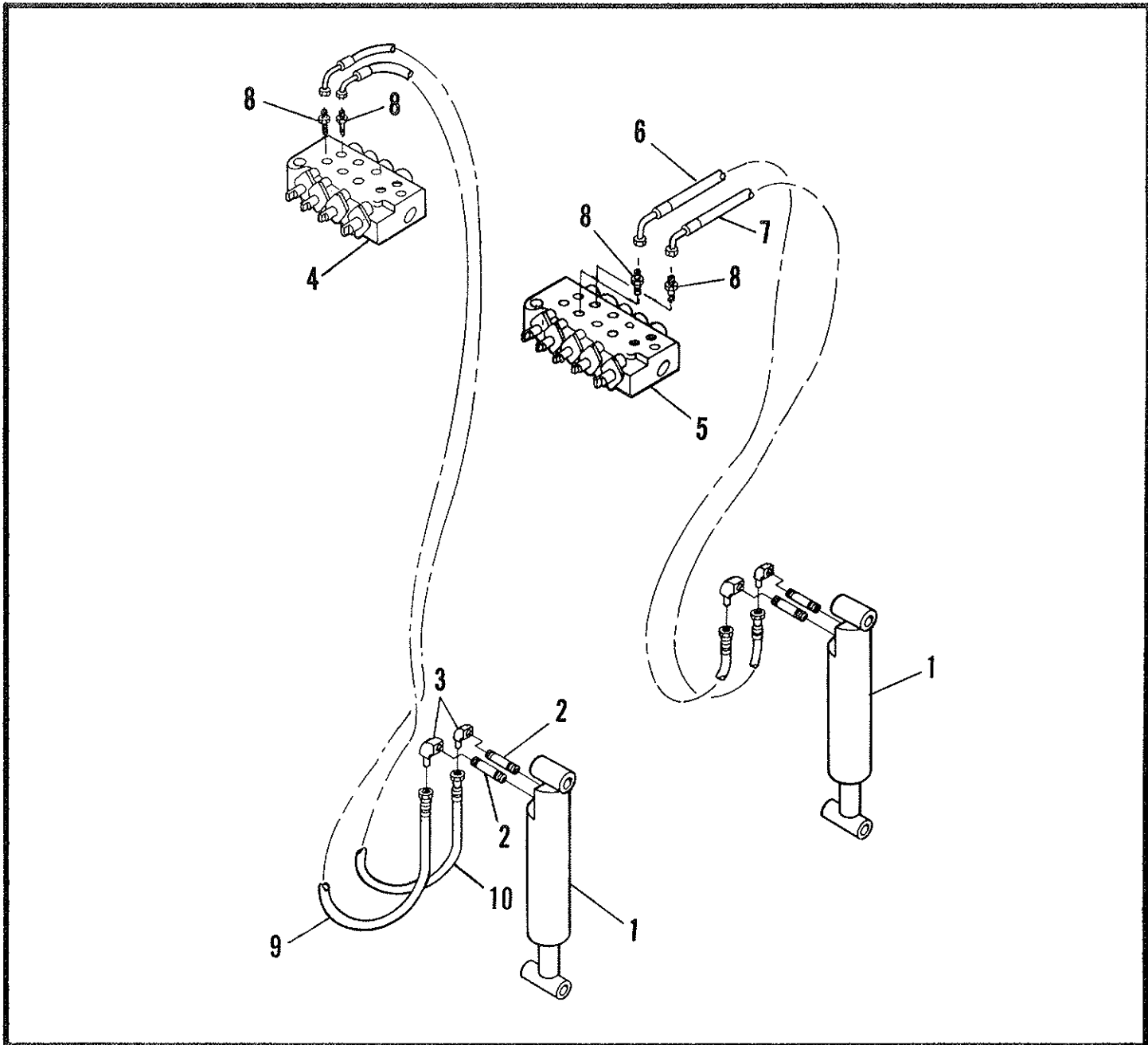
REF. NO.	NO. REQ'D	PART NUMBER	DESCRIPTION
1	REF.	0300011	VALVE, 4 SPOOL CONTROL
2	REF.	0302782	VALVE, 5 SPOOL CONTROL
3	2	0301112	MOTOR, HYDRAULIC
4	2	0302055	AIR CYLINDER
5	2	0302677	BREATHER VENT 1/8 MP
6	2	0706859	CHANNEL, CYLINDER MTG.
7	2	0706860	CHANNEL, CYLINDER COVER
8	2	0300324	VALVE, SOLENOID AIR CTRL.
9	18 FT.	0301577	AIR HOSE, 1/4" O.D.
10	2	0301574	ELBOW, 90 DEG. BRASS MALE
11	2	0400530	CLEVIS PIN, 5/16" X 1 1/4"
12	2	0400543	COTTER PIN, 1/8" X 3/4"
13	4	0300787	HOSE ASSEMBLY, MOTOR, 53"
14	1	0301110	WINCH H-800 LT
15	1	0301111	WINCH H-800 RT
16	4	0301228	CONNECTOR, STRAIGHT 10 MJ-16 MB
17	2	0300897	GROMMET, RUBBER
18	7 FT.	0302432	LOOM-5/16"
19	4	0302678	ELBOW, 1/4" TUBE X 1/8" MP 90
20	4	0400034	SCREW, #10-32 X 1/2" PHIL RD. HD. ZP
21	8	0400059	SCREW, HEX. HD. 1/4"-20 X 5/8"
22	4	0400122	SCREW, HEX. HD. 3/8"-16 X 1 1/4" GR5 ZP
23	2	0400132	SCREW, HEX. HD. 3/8"-16 X 1 1/2" GR5 ZP
24	8	0400188	SCREW, HEX. HD. 1/2"-13 X 2" GR5 ZP
25	8	0400260	SCREW, HEX. HD. 5/8"-11 X 2" GR5 ZP
26	16	0400283	SCREW, HEX. HD. 3/4"-10 X 2" GR5 ZP
27	8	0400367	NUT, HEX. 1/4"-20 NYLOK ZP
28	8	0400392	NUT, HEX. 3/8"-16 NYLOK ZP
29	2	0400412	NUT, HEX. JAM 1/2"-20 ZP
30	8	0400421	NUT, HEX. 5/8"-11 NYLOK ZP
31	8	0400480	WASHER, FLAT 3/8"- ZP
32	8	0400491	WASHER, HELICAL LOCK 1/2" ZP
33	16	0400504	WASHER, SAE 5/8"
34	2	0400510	WASHER, FLAT 3/4" ZP
35	16	0400511	WASHER, LOCK 3/4" ZP
36	2	0702382	MOUNTING ANGLE, RIGHT
37	1	0707750	WINCH MOUNTING ANGLE
38	1	0707751	WINCH MOUNTING ANGLE
39	2	0800772	ADJUSTMENT YOKE
40	2	0302383	HOSE ASSEMBLY, 56"
41	2	0302600	HOSE ASSEMBLY, 82"
42	2	0300041	CONNECTOR, 8 MJ-8 MB
43	2	0301224	CABLE ASSEMBLY, 200 FT.
44	2	0301445	CONNECTOR 8 MJ-8MBL
45	2	0302546	CLAMPING UNIT
46	2	0302551	STACKING NUT
47	4	0302550	BUSHING 3/4" SPLIT
48	2	0400118	SCREW 5/16-18 X 3/4 HHCS GR5 ZP

Section VII-PARTS-BOOM EXT./RET. HYDRAULICS



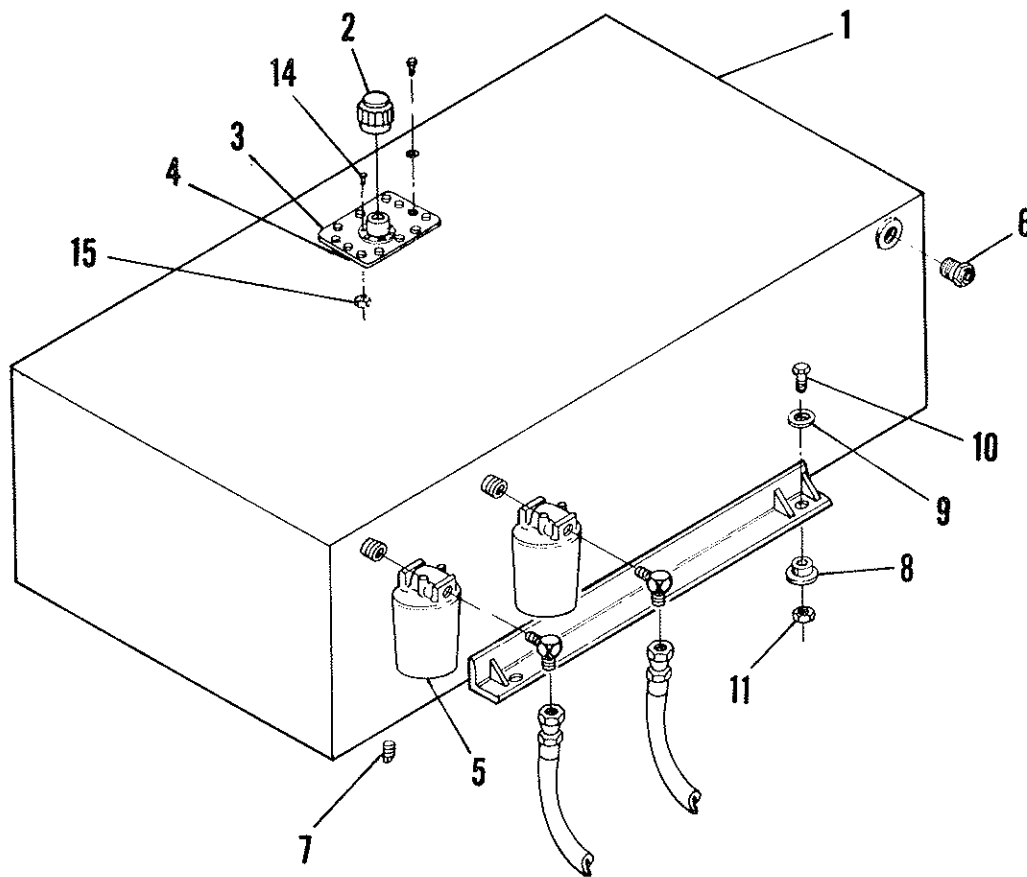
REF. NO.	NO. REQ'D	PART NUMBER	DESCRIPTION
1	1	0302476	HOLDING VALVE
2	1	0302536	CYLINDER EXTEND
3	1	0300206	TEE
4	REF.	0300011	VALVE, 4 SPOOL CONTROL (LEFT)
5	1	0302596	HOSE ASSEMBLY, 34"
6	1	0301875	HOSE ASSEMBLY, 159"
7	1	0302584	HOSE ASSEMBLY, 50"
8	1	0302588	HOSE ASSEMBLY, 56"
9	2	0302035	HOSE ASSEMBLY, 24"
10	2	0301470	ELBOW, 90 DEGREES
11	2	0300865	ADAPTOR 8MJ-8MJ
12	2	0302576	UNION, BULKHEAD
13	2	0300044	CONNECTOR, 6MJ-8MB
14	2	0300209	ELBOW, 90 DEGREES

Section VII-PARTS-REAR JACK HYDRAULICS



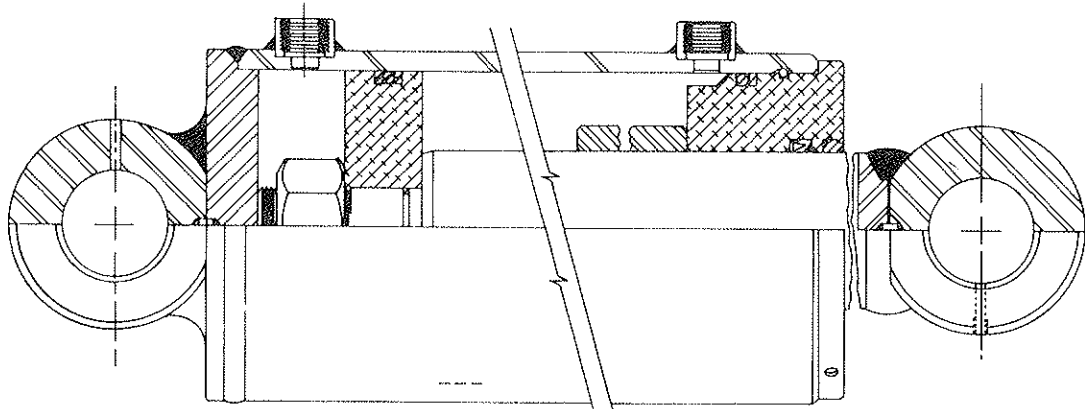
REF. NO.	NO. REQ'D	PART NUMBER	DESCRIPTION
1	REF	0300680	CYLINDER, HYDRAULIC, 4"
2	4	0302032	NIPPLE, BLACK PIPE
3	4	0300689	ELBOW, STEEL STREET, 90 °
4	REF.	0300011	VALVE, 4 SPOOL CONTROL
5	REF.	0302782	VALVE, 5 SPOOL CONTROL
6	1	0302591	HOSE ASSEMBLY, 76"
7	1	0302590	HOSE ASSEMBLY, 76"
8	4	0300044	CONNECTION
9	1	0302816	HOSE ASSEMBLY 62"
10	1	0302817	HOSE ASSEMBLY 62"

Section VII-PARTS-RESERVOIR HYDRAULICS



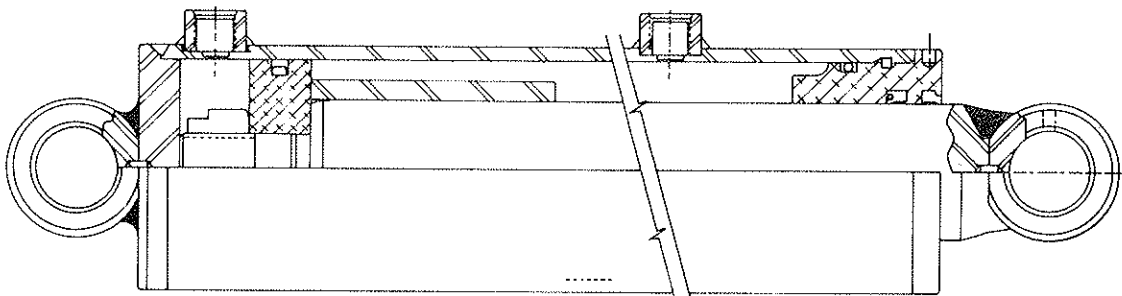
REF. NO.	NO. REQ'D	PART NUMBER	DESCRIPTION
1	1	0802210	RESERVOIR
2	1	0305006	FILLER BREATHER CAP
3	1	0705910	COVER PLATE
4	1	0706114	GASKET, CLEANOUT & FILLER COVER
5	REF.	0300136	FILTER ASSY.
6	1	0302570	SIGHT GAGE
7	1	0300446	PIPE PLUG, 3/4"
8	4	0302227	CENTER BOND MOUNT
9	4	0302228	SPECIAL WASHER
10	4	0400150	SCREW, HEX. HD. 3/8-16 X 2 1/2" GD. 5 ZP
11	4	0400392	NUT, HEX. 3/8-16 NYLOK
12	12	0400122	SCREW, HEX. HD. 3/8-16 X 1 1/4" GD. 5 ZP
13	12	0400482	WASHER, 3/8" LOCK-ZP
14	6	0400036	SCREW, MACH. #10-32X1"-ZP
15	6	0400357	NUT, HEX. #10-32 NYLON LOCK

Section VII-PARTS-HYDRAULIC CYLINDERS



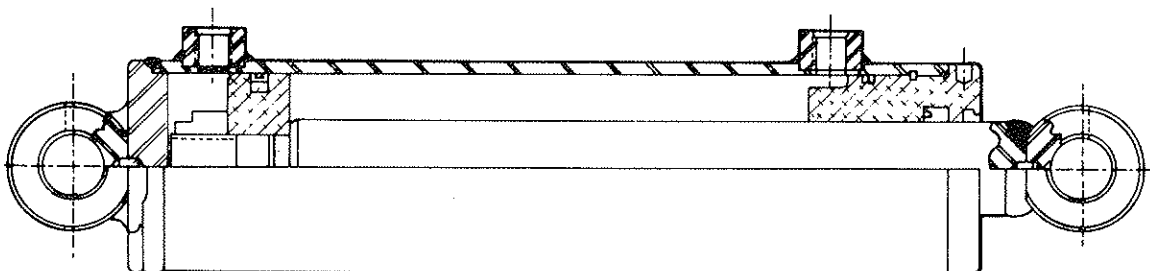
WRECKER BOOM ELEVATION CYLINDER

REF. NO.	NO. REQ'D	PART NUMBER	DESCRIPTION
1	2	0300438	CYL., LIFT, 6" BORE X 40" STR (COMPLETE)
2	1	0300801	SEAL KIT, CYLINDER LIFT



WRECKER BOOM EXT./RET. CYLINDER

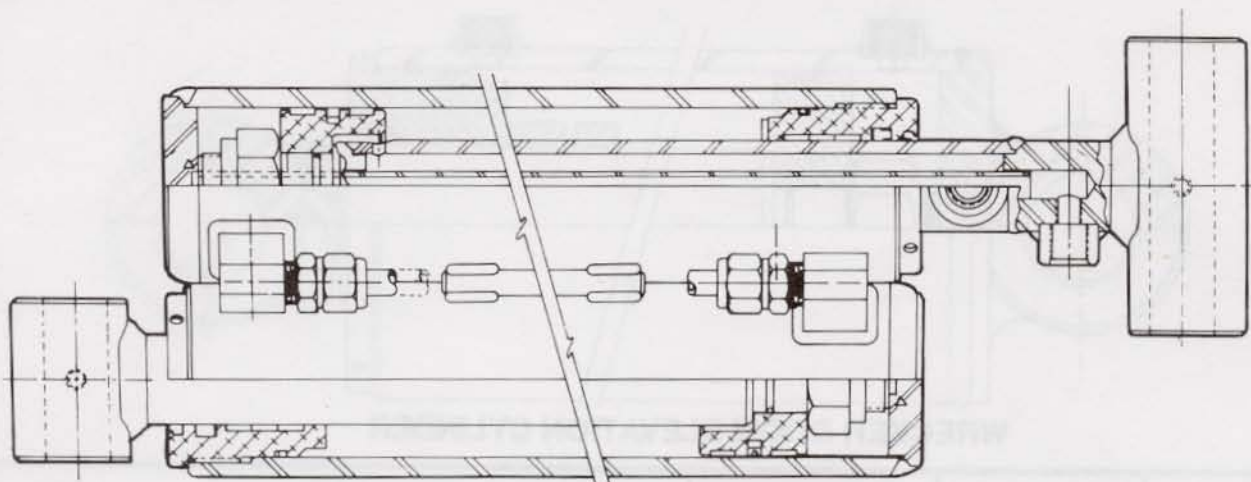
REF. NO.	NO. REQ'D	PART NUMBER	DESCRIPTION
1	1	0302536	EXTEND. CYLINDER (COMPLETE)
2	1	0304458	SEAL KIT. EXTEND CYLINDER



UNDERLIFT FOLD CYLINDER

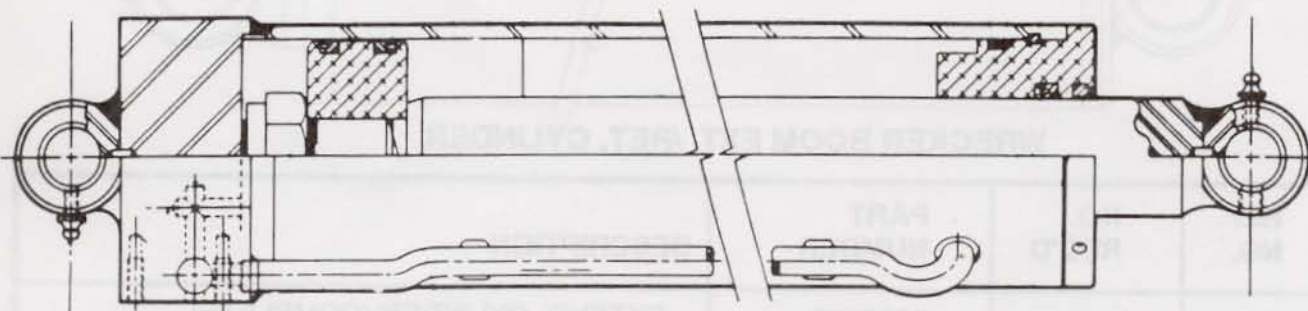
REF. NO.	NO. REQ'D	PART NUMBER	DESCRIPTION
1	1	0302537	UNDERLIFT FOLD CYLINDER (COMPLETE)
2	1	0304459	SEAL KIT, UNDERLIFT FOLD CYLINDER

Section VII-PARTS-HYDRAULIC CYLINDERS



UNDERLIFT EXT./RET. CYLINDER

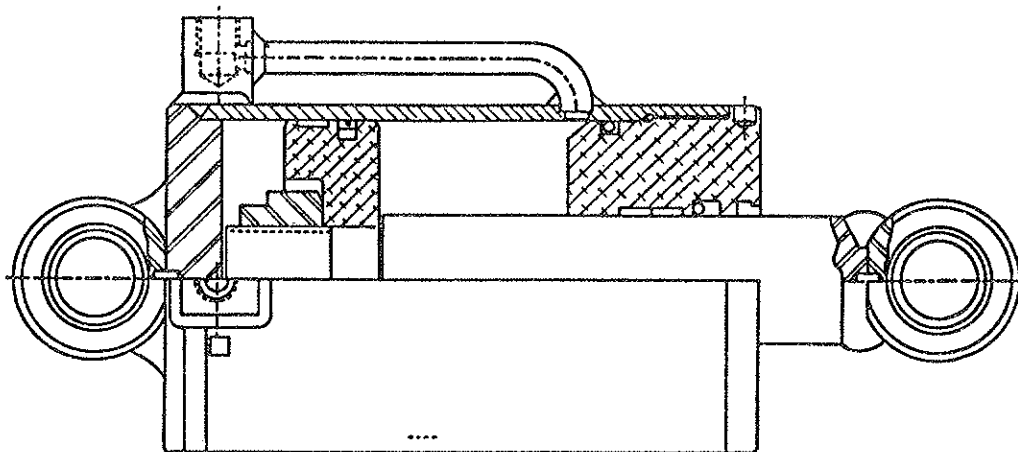
REF. NO.	NO. REQ'D	PART NUMBER	DESCRIPTION
1	1	0302206	PIGGYBACK CYLINDER (COMPLETE)
2	1	0304426	SEAL KIT, PIGGYBACK CYLINDER



REAR SPADE CYLINDER

REF. NO.	NO. REQ'D	PART NUMBER	DESCRIPTION
1	2	0300680	REAR SPADE CYLINDER (COMPLETE)
2	1	0301353	SEAL KIT, REAR SPADE CYLINDER

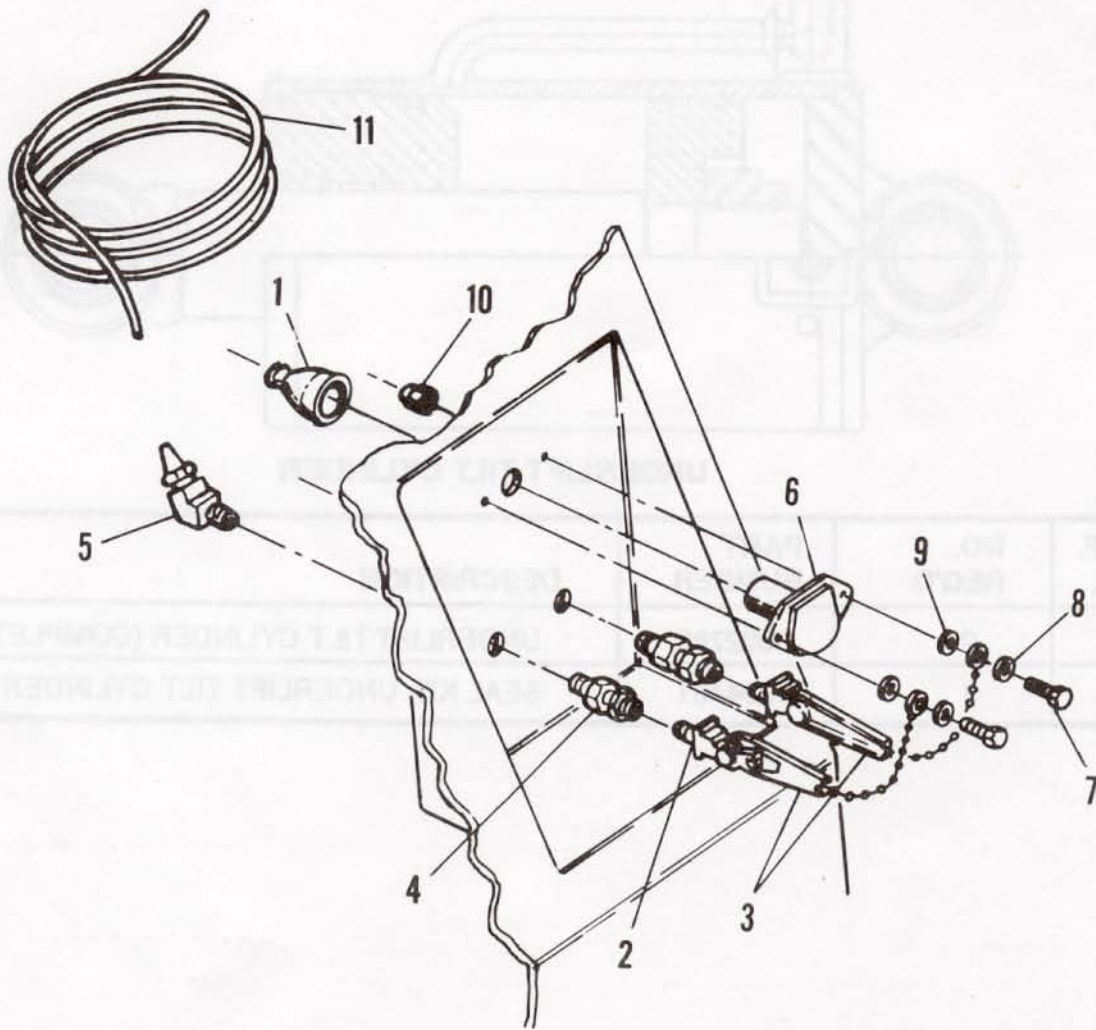
Section VII-PARTS-HYDRAULIC CYLINDERS



UNDERLIFT TILT CYLINDER

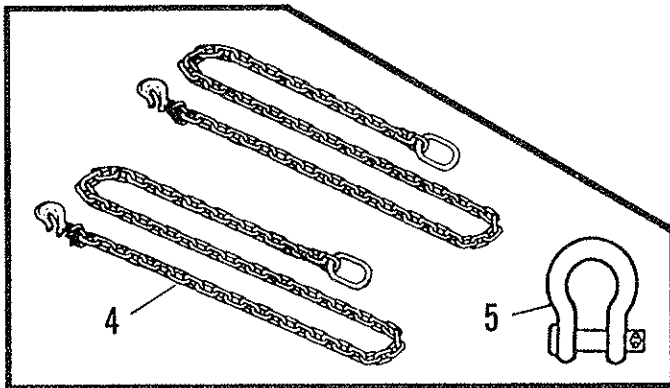
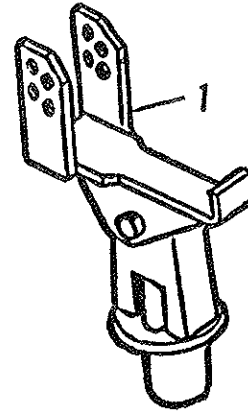
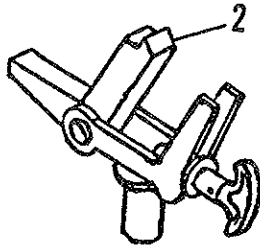
REF. NO.	NO. REQ'D	PART NUMBER	DESCRIPTION
1	2	0302785	UNDERLIFT TILT CYLINDER (COMPLETE)
2	1	0304461	SEAL KIT, UNDERLIFT TILT CYLINDER

Section VII-PARTS-GLAD HAND ASSEMBLY



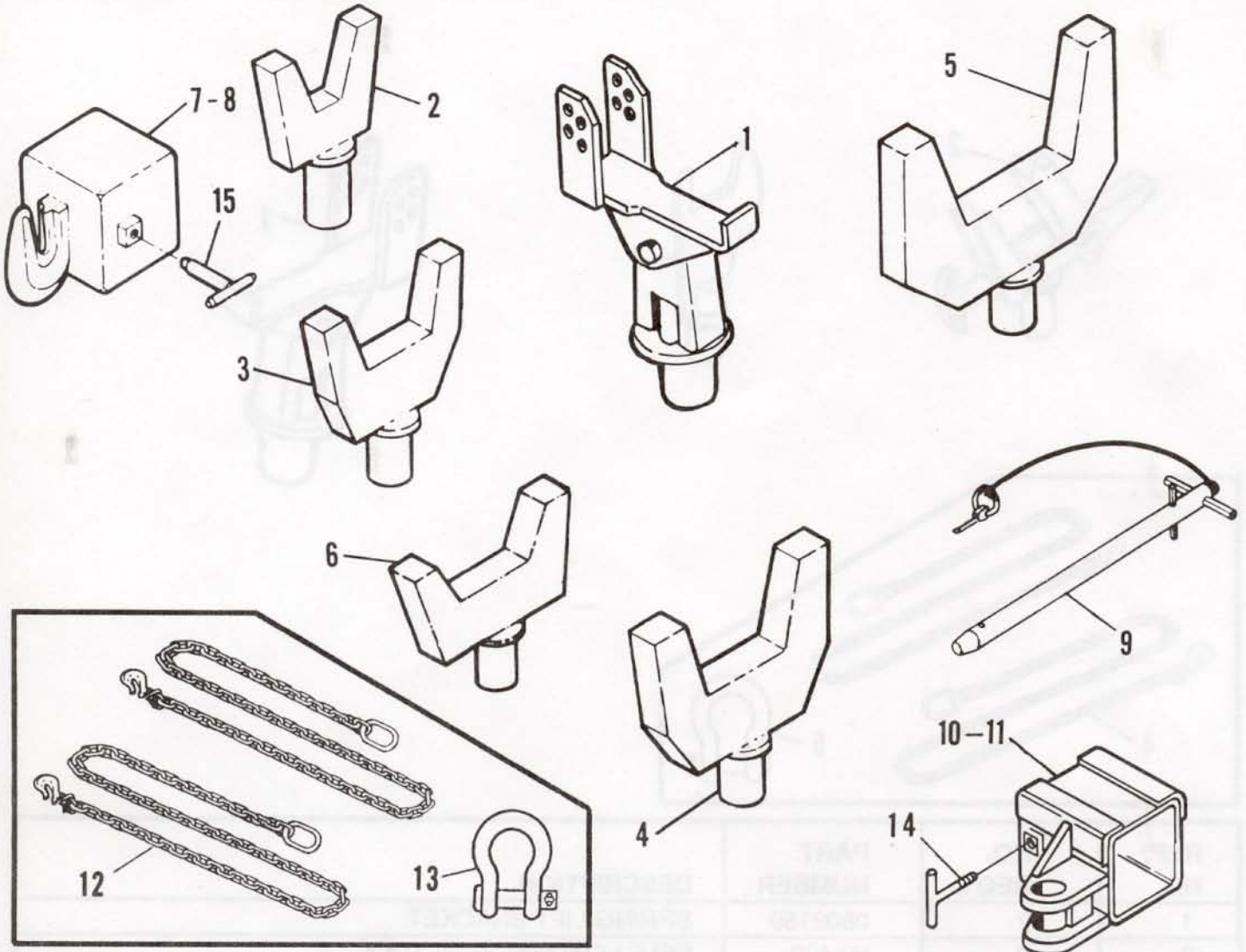
REF. NO.	NO. REQ'D	PART NUMBER	DESCRIPTION
1	1	0301909	RECEPTACLE BOOT
2	2	0301944	GLAD HAND COUPLING, UNIV.
3	2	0301945	GLAD HAND PLUG
4	2	0301946	BULKHEAD CONNECTOR
5	2	0301947	45 DEG. ADAPTOR 1/4NPM-3/8
6	1	0301948	HD 7 WAY TRAILER CONNECT
7	2	0400070	1/4-20X1" HHCS GR5 ZP
8	2	0400463	5/16" FLATWASHER ZP
9	2	0400451	1/4" FLATWASHER ZP
10	2	0400367	1/4-20 NYLOK HEX NUT ZP
11	2	0703795	AIR HOSE-3/8 SYNDFLEX

Section VII-PARTS-LIFT ADAPTORS



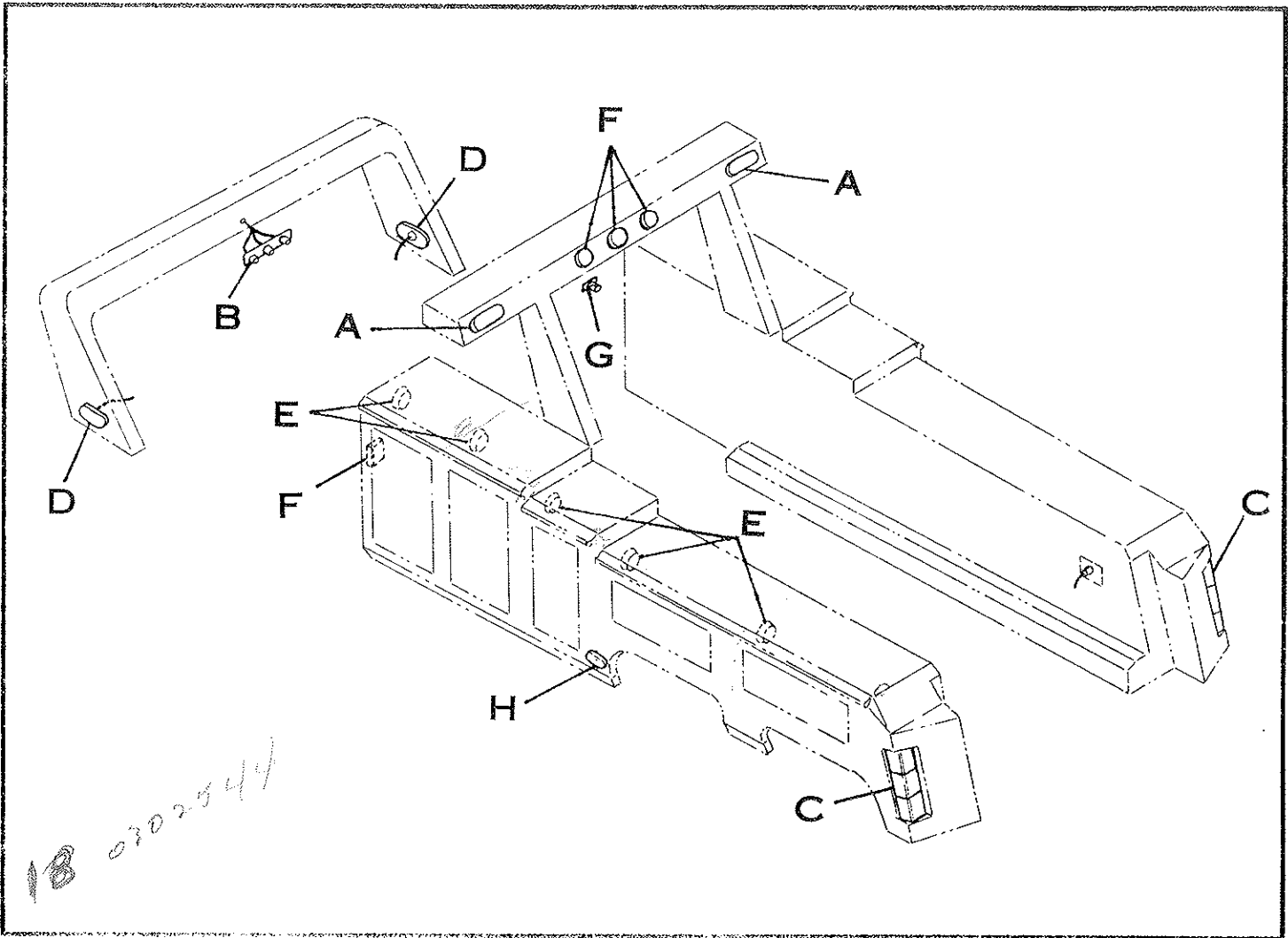
REF. NO.	NO. REQ'D	PART NUMBER	DESCRIPTION
1	2	0802159	SPRING LIFT BRACKET
2	2	HA402	SELF-LOADING AXLE TOOL
3	2	KAO203	LIFTING FORK-LONG WIDE
4	2	0301205	SAFETY CHAINS
5	1	0302060	ANCHOR SHACKLE, 1 1/2"

Section VII-PARTS-LIFT ADAPTORS



REF. NO.	NO. REQ'D	PART NUMBER	DESCRIPTION
1	2	0802159	SPRING LIFT BRACKET
2	2	0800858	FORK WELDMENT, SHORT (3" OPENING)
3	2	0800857	FORK WELDMENT, MEDIUM (3" OPENING)
4	2	0801088	FORK WELDMENT, LONG (4-1/2" OPENING)
5	2	0801077	REAR AXLE FORK, 6" OPENING
6	2	0801087	FORK WELDMENT MEDIUM (4-1/2" OPENING)
7	1	0801186	CHAIN HOOK ADAPTOR, R.H.
8	1	0801187	CHAIN HOOK ADAPTOR, L.H.
9	2	0902321	RETAINER PIN, SPRING LIFT BRACKET
10	1	0802155	LEFT FORK ADAPTOR
11	1	0802156	RIGHT FORK ADAPTOR (SHOWN)
12	2	0302061	SAFETY CHAINS
13	1	0302060	ANCHOR SHACKLE, 1 1/2"
14	2	0800590	TEE HANDLE
15	2	0801184	TEE HANDLE

Section VII-PARTS-LIGHT KIT



A

STOP & TURN LIGHT

1. LENS & BULB ASSY	0304125
2. GROMMET & PLUG KIT	0304126
3. CHROME BEZEL	0304124
4. BEZEL MTG. SCREW	0304123
5. LIGHT, TURN (COMPLETE)	0301390

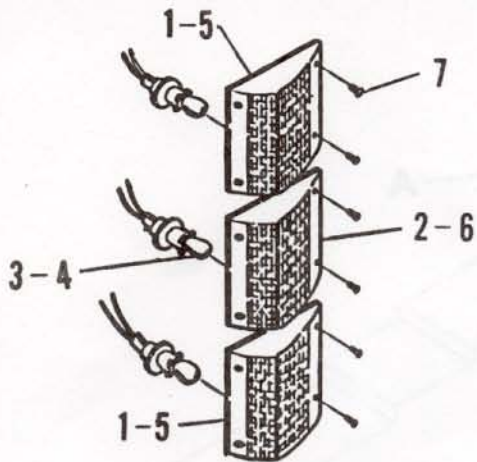
B

3 LIGHT BAR

1. 2 LIGHT BAR ASS'Y-COMplete	0300442
2. BULB, MARKER LIGHT	0300507
3. LENS, 3 LIGHT BAR	0300511

Section VII-PARTS-LIGHT KIT

C



STOP & TURN/BACK-UP LIGHTS

- | | |
|-----------------------------|-----------------|
| 1. LIGHT, STOP & TURN (CPL) | 0302542 |
| 2. LIGHT, BACK-UP (CPL) | 0302543 |
| 3. BULB, STOP & TURN | (NOT AVAILABLE) |
| 4. BULB, BACK-UP | (NOT AVAILABLE) |
| 5. LENS, STOP & TURN (RED) | 0302542 |
| 6. LENS, BACK-UP (CLEAR) | 0302543 |
| 7. SCREW, LENS | 0400025 |

D



MARKER LIGHT-AMBER

- | | |
|-------------------|---------|
| 1. LIGHT COMPLETE | 0302611 |
|-------------------|---------|

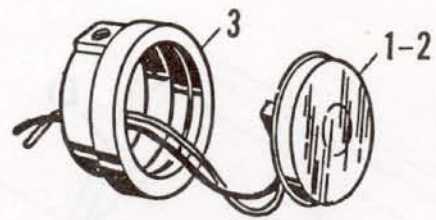
E



DOME LIGHT

- | | |
|---------------------|---------|
| 1. DOME LIGHT (CPL) | 0302544 |
|---------------------|---------|

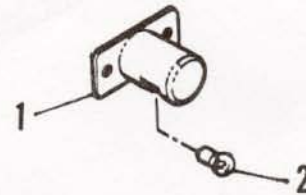
F



MARKER LIGHTS-RED & AMBER

- | | |
|---------------------------------|---------|
| 1. LENS & BULB, RED MARKER | 0301741 |
| 2. LENS & BULB, AMBER MARKER | 0301742 |
| 3. GROMMET & PLUG, MARKER LIGHT | 0301740 |

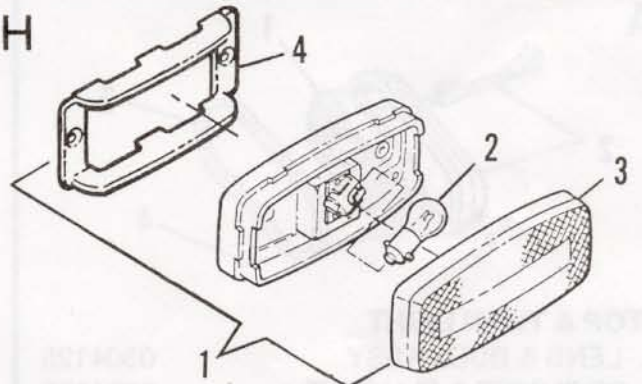
G



LICENSE PLATE ILLUMINATOR

- | | |
|-------------------------------|---------|
| 1. LICENSE PLATE ILLUM. (CPL) | 0300273 |
| 2. BULB, LICENSE PLATE ILLUM. | 0300512 |

H



MARKER LIGHT-AMBER

- | | |
|----------------------------------|---------|
| 1. LIGHT AMBER MARKER, COMPLETE | 0301887 |
| 2. BULB, MARKER LIGHT | 0300507 |
| 3. REFLECTIVE LENS, AMBER MARKER | 0304380 |
| 4. GUARD | 0300242 |

NOTES

CHALLENGER®

1-75 at Ooltewah Exit #11 • 8503 Hilltop Drive • Ooltewah, Tennessee 37363 • (615) 238-4171

Mailing Address: P.O. Box 120 • Ooltewah, Tennessee 37363 • Telex: 856967 CENWKRTN UD • FAX (615) 238-5371