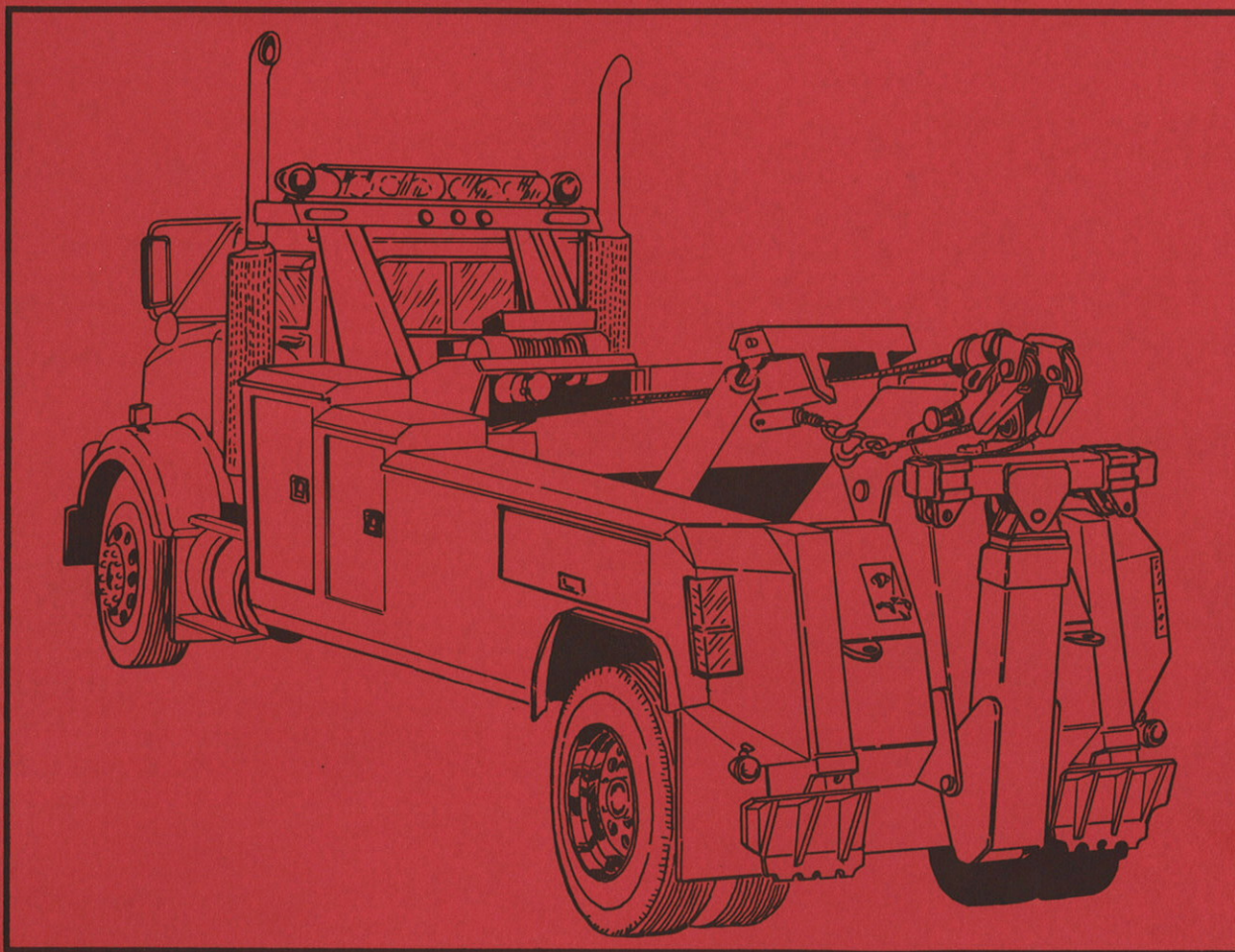


CHALLENGER®



OWNER'S MANUAL

CH-16

CHALLENGER®

Installation, Operation, Maintenance & Parts

NOTE: MANUAL including SPECIFICATIONS, subject to change without notice. All ratings specified are based on structural factors only, not vehicle capacities or capabilities.

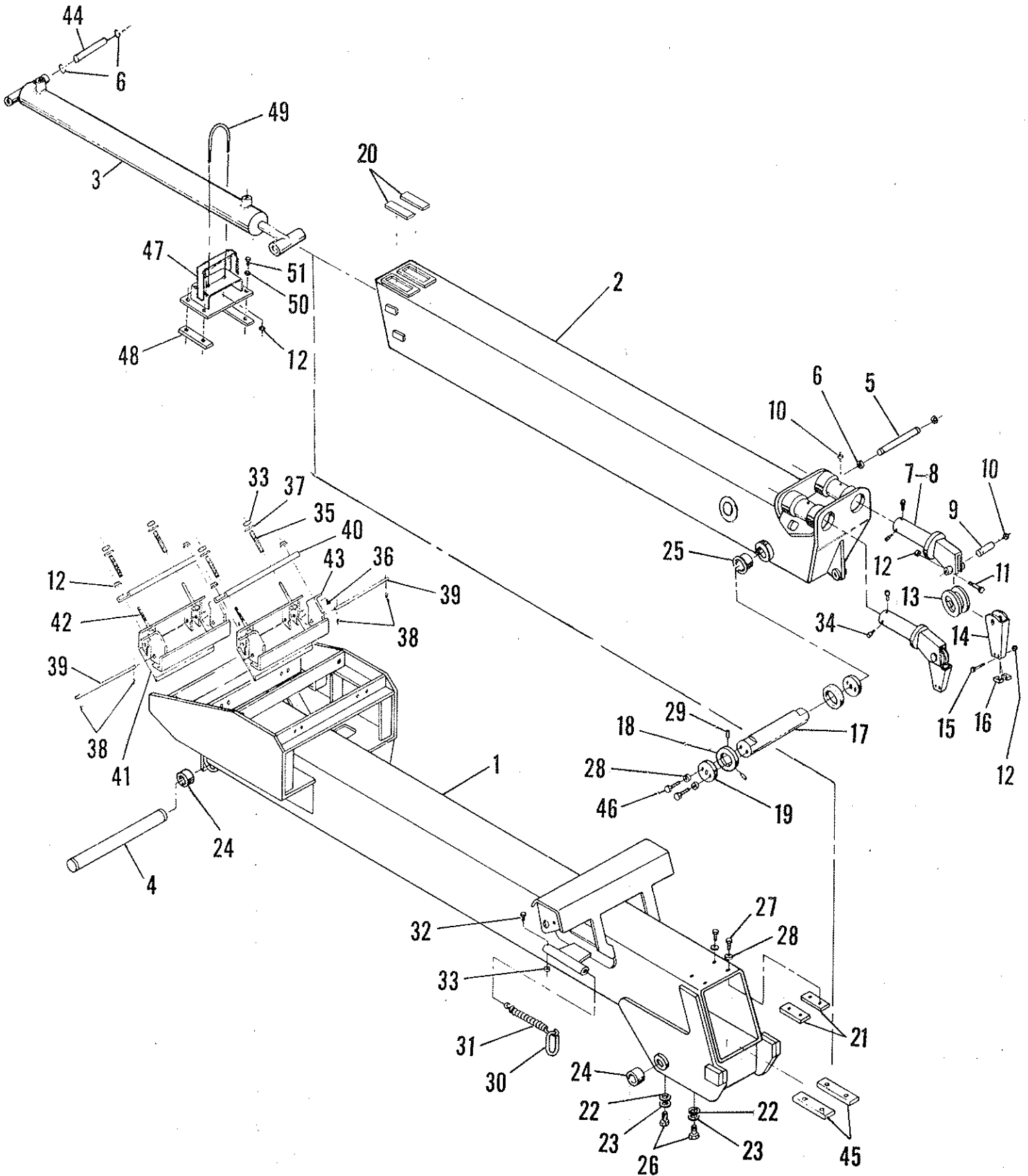
I-75 at Ooltewah Exit #11 • 8503 Hilltop Drive • Ooltewah, Tennessee 37363 • (615) 238-4171

Mailing Address: P.O. Box 50 • Ooltewah, Tennessee 37363 • FAX (615) 238-5371

FORM NO. 0500604

PRICE \$15.00

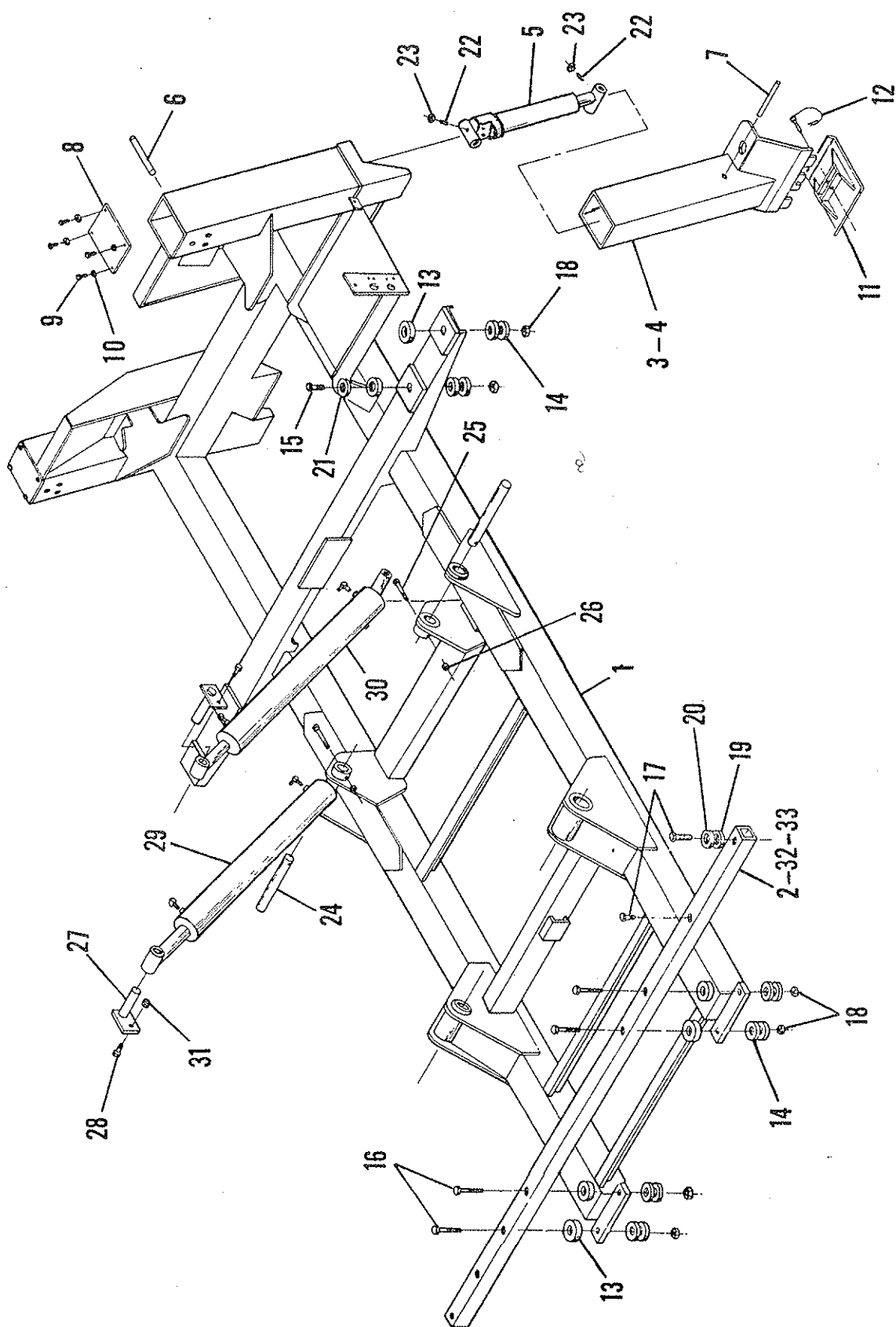
Section VII-PARTS- BOOM ASSEMBLY



Section VII-PARTS BOOM ASSEMBLY

REF. NO.	NO. REQ'D	PART NUMBER	DESCRIPTION
1	1	0802239	OUTER BOOM
2	1	0802238	INNER BOOM
3	REF.	0302614	CYLINDER, BOOM EXTEND
4	1	0707342	PIN, BOOM PIVOT
5	1	0707344	PIN, EXTEND CYLINDER
6	4	0301959	SNAP RING, INTERNAL
7	1	0800509	SWIVEL WELDMENT-LEFT HAND
8	1	0800510	SWIVEL WELDMENT-RIGHT HAND
9	2	0700888	SHAFT-SHEAVE
10	4	0300113	GREASE FITTING
11	2	0400133	BOLT, 3/8"-16
12	16	0400392	NUT, 3/8"-16
13	2	0300626	SHEAVE, 8"
14	2	0800286	CABLE GUIDE
15	4	0400150	BOLT, 3/8"-16
16	4	0700801	CABLE GUIDE, BOTTOM
17	1	0707300	TILT SHAFT
18	2	0707340	TILT SHAFT COLLAR
19	2	0707124	TILT SHAFT RETAINER
20	2	0302628	SLIDE PAD
21	2	0700778	TOP SPACER, OUTER BOOM
22	4	0400506	WASHER, 5/8" X 1-3/4" ZP
23	4	0400508	WASHER, 5/8", HELICAL ZP
24	4	0302619	BUSHING
25	2	0302538	BUSHING, 3.5" O.D. X 3" ID X 2.5"
26	4	0400248	SCREW, 5/8-11 X 1" H.H.C.S. GR #8 ZP
27	4	0400121	SCREW, 3/8-16 X 3/4" H.H.C.S. ZINC PLATED
28	8	0400482	WASHER, 3/8" HELICAL
29	4	0400229	SET SCREW, 5/16-18 NC X 3/4" SOC. HD.
30	2	0301691	OBLONG LINK
31	2	0302273	SPRING
32	2	0400205	SCREW
33	6	0400408	NUT, 1/2-13 NYLOK, ZP
34	6	0400554	ROLL-PIN
35	4	0302378	SPRING
36	8	0400132	SCREW, HEX. HD. 3/8"-16 X 1" GR5, ZP
37	8	0400492	WASHER
38	4	0400543	COTTER PIN, 1/8" X 3/4" STAINLESS STEEL
39	2	0707273	PIVOT ROD
40	2	0707347	SPRING CHANNEL
41	2	0802247	BRACKET
42	4	0802218	SPRING PIN
43	2	0802248	MOUNTING BRACKETS
44	1	0707343	PIN
45	2	0301923	SLIDE PAD, BOTTOM
46	4	0400122	SCREW, 3/8"-16 X 1 1/4" H.H.C., GD 5, ZP
47	1	0802246	CYLINDER SUPPORT
48	2	0703442	SKID
49	1	0400581	U-BOLT
50	4	0400451	WASHER
51	4	0400066	SCREW

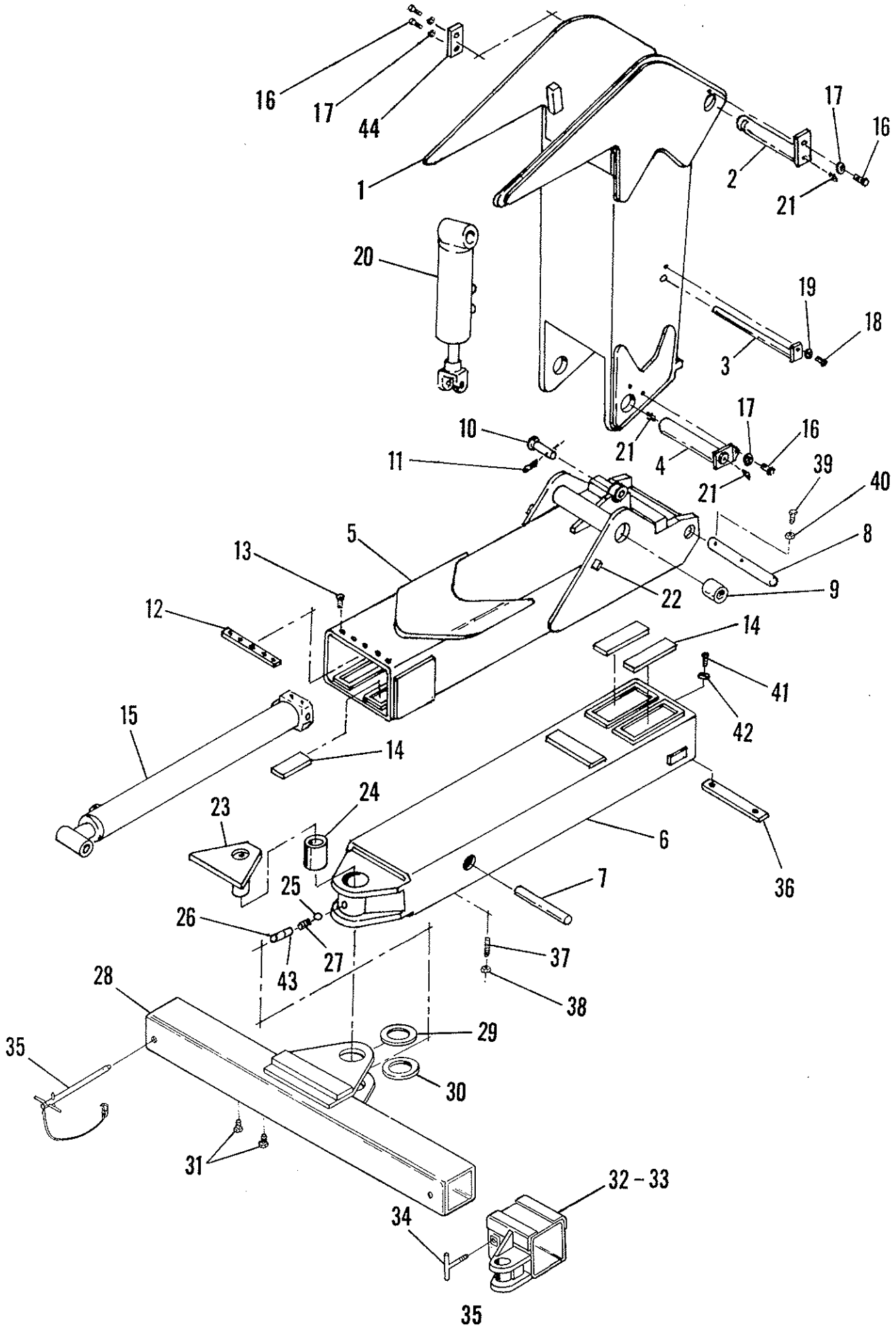
Section VII-PARTS-WRECKER SUB-FRAME



Section VII - PARTS-WRECKER SUB-FRAME

REF. NO.	NO. REQ'D	PART NUMBER	DESCRIPTION
1	1	0802241	CH-16 SUB-FRAME
2	1	0802211	FRONT BODY MTG. TUBE - 120" C.A. BODY
3	1	0802243	LEFT INNER SPADE
4	1	0802244	RIGHT INNER SPADE
5	2	0302616	CYLINDER, HYDRAULIC
6	2	0707394	UPPER SPADE SHAFT
7	2	0705500	SHAFT, JACK, LOWER
8	2	0707377	COVER, SPADE TUBE
9	8	0400066	HEX, HD, CAP SCREW, 1/4"-20X3/4", HHCS, CR5, ZP
10	8	0400452	LOCKWASHER, HELICAL 1/4"
11	2	0802221	SPADE PAD-5030
12	2	0707199	PIN, SPADE PAD
13	8	0302540	CENTER BONDED MOUNT (BE0102)
14	12	0302541	SPECIAL WASHER (BE 0103)
15	4	0400281	SCREW, ZINC PLATED, 3/4-10X3 1/2" H.H.C.S. GRADE 5
16	4	0400294	SCREW, ZINC PLATED, 3/4-10NC X 6-1/2" H.H.C.S. GRADE 5
17	4	0400276	SCREW, 5/8-11X4.5" HHCS GR #5 ZP
18	4	0400430	NUT, 3/4-10 NYLOK ZP
19	8	0400506	WASHER, 5/8 X 1 3/4" ZP
20	4	0400508	WASHER, 5/8" HELICAL LOCKWASHER ZP
21	8	0400510	WASHER, 3/4" ZP
22	4	0400139	SET SCREW, 3/8 X 1-1/2" HEX SOCKET (HOLO KROME)
23	4	0400392	NUT, 3/8-16 NYLOK ZP
24	2	0707341	PIN
25	2	0400130	SCREW
26	2	0400392	NUT
27	2	0802240	LIFT CYLINDER PIN
28	2	0400181	SCREW
29	REF.	0302347	CYLINDER, LIFT RT
30	REF.	0302346	CYLINDER, LIFT LT
31	2	0400408	NUT
32	1	0802270	FRONT BODY MTG. TUBE - 138" C.A. BODY
33	2	0802271	BRACKET, MTG. TUBE - 138" C.A. BODY

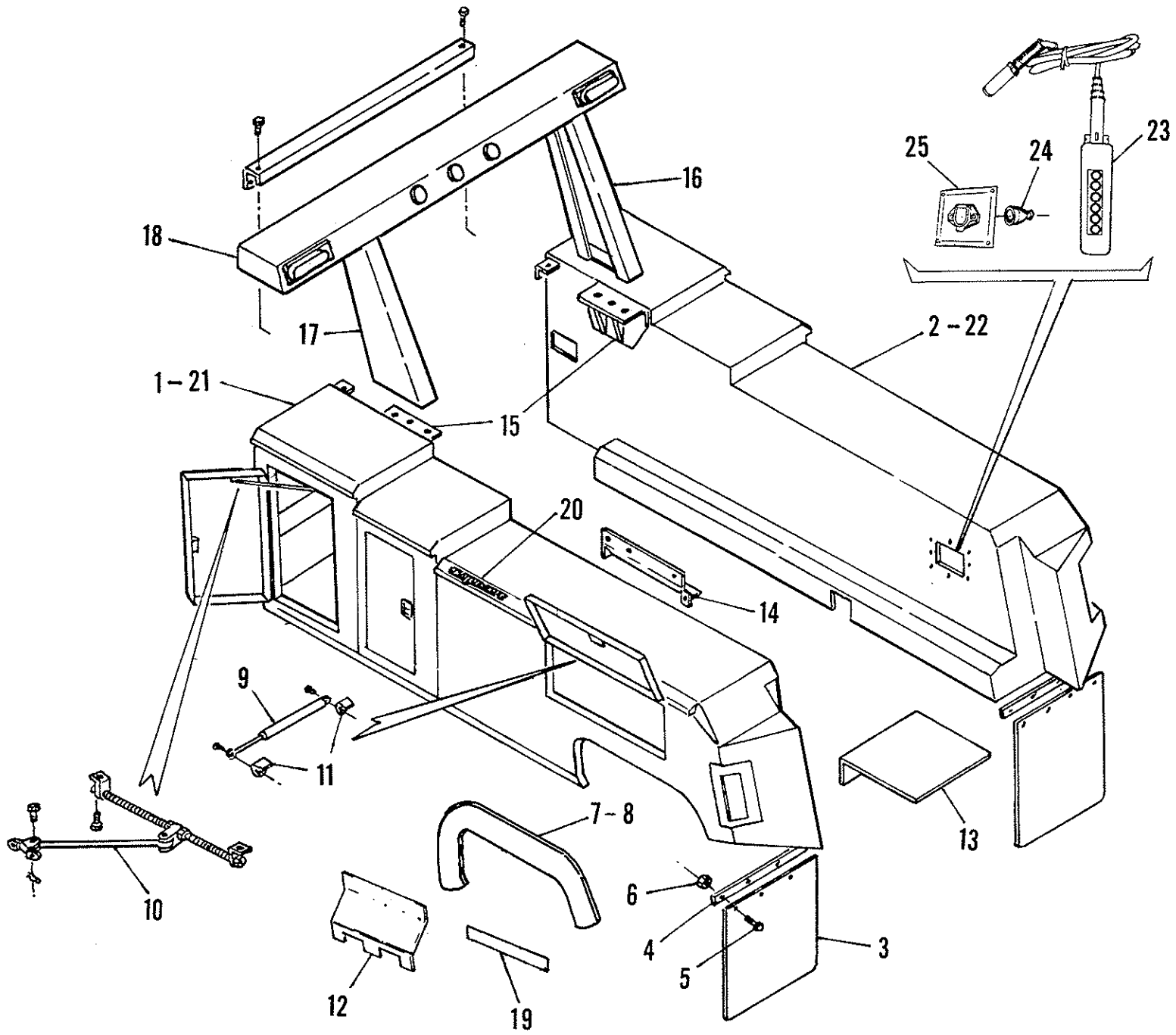
Section VII-PARTS - UNDERLIFT ASSEMBLY



Section VII-PARTS - UNDERLIFT ASSEMBLY

REF. NO.	NO. REQ'D	PART NUMBER	DESCRIPTION
1	1	0802236	TOWER
2	1	0802550	TOWER PIVOT PIN
3	1	0802220	FOLD CYLINDER PIN
4	1	0802237	UNDERLIFT PIVOT PIN
5	1	0802234	OUTER BOOM, UNDERLIFT
6	1	0802233	INNER BOOM, UNDERLIFT
7	1	0707270	EXTEND CYLINDER SHAFT
8	1	0707271	EXTEND CYLINDER SHAFT
9	2	0302619	BUSHING, 2.25" O.D. X 2" I.D. X 1.5" SPRG.
10	1	0304246	PIN, FOLD CYLINDER CLEVIS
11	1	0400548	COTTER PIN, 3/16" X 2" LG.
12	1	0707453	BAR, STOP
13	5	0400228	SCREW
14	4	0302561	SLIDE PAD
15	1	0302615	CYLINDER, UNDERLIFT EXTEND
16	4	0400176	SCREW, 1/2"-13 X 1" H.H.C.S. ZINC PLATED
17	4	0400491	WASHER, 1/2" HELICAL LOCKWASHER
18	1	0400121	SCREW, 3/8"-16 X 3/4" H.H.C.S. ZINC PLATED
19	1	0400482	WASHER, 3/8" HELICAL
20	1	0301765	CYLINDER, BOOM FOLDING
21	5	0300113	GREASE FITTING, ALEMITE
22	2	0706432	STOP BLOCK
23	1	0802235	PIVOT PIN
24	1	0302625	BUSHING
25	1	0301398	STEEL BALL, 1-3/16" DIA.
26	1	0702546	SPACER, DETENT SPRING
27	1	0301197	COMP. SPRING, CROSS BAR
28	1	0802230	CROSSBAR, WELDMENT
29	2	0302006	THRUST WASHER, 1/16"
30	1	0706949	THRUST WASHER, 1/8"
31	2	0400278	SCREW, 3/4"-10 NC X 2" SOCKET FL
32	1	0802249	FORK ADAPTOR, L.H.
33	1	0802250	FORK ADAPTOR, R.H. (SHOWN)
34	2	0801184	TEE HANDLE
35	2	0902378	RETAINER PIN, SPRING LIFT BRACKET
36	1	0707452	SPACER PAD
37	1	0400139	SET SCREW
38	1	0400392	NUT
39	1	0400107	SCREW
40	1	0400382	NUT
41	2	0400147	SCREW
42	2	0400481	WASHER
43	1	0702681	SPACER-DETENT SPRING
44	1	0708624	PLATE, PIN KEEPER

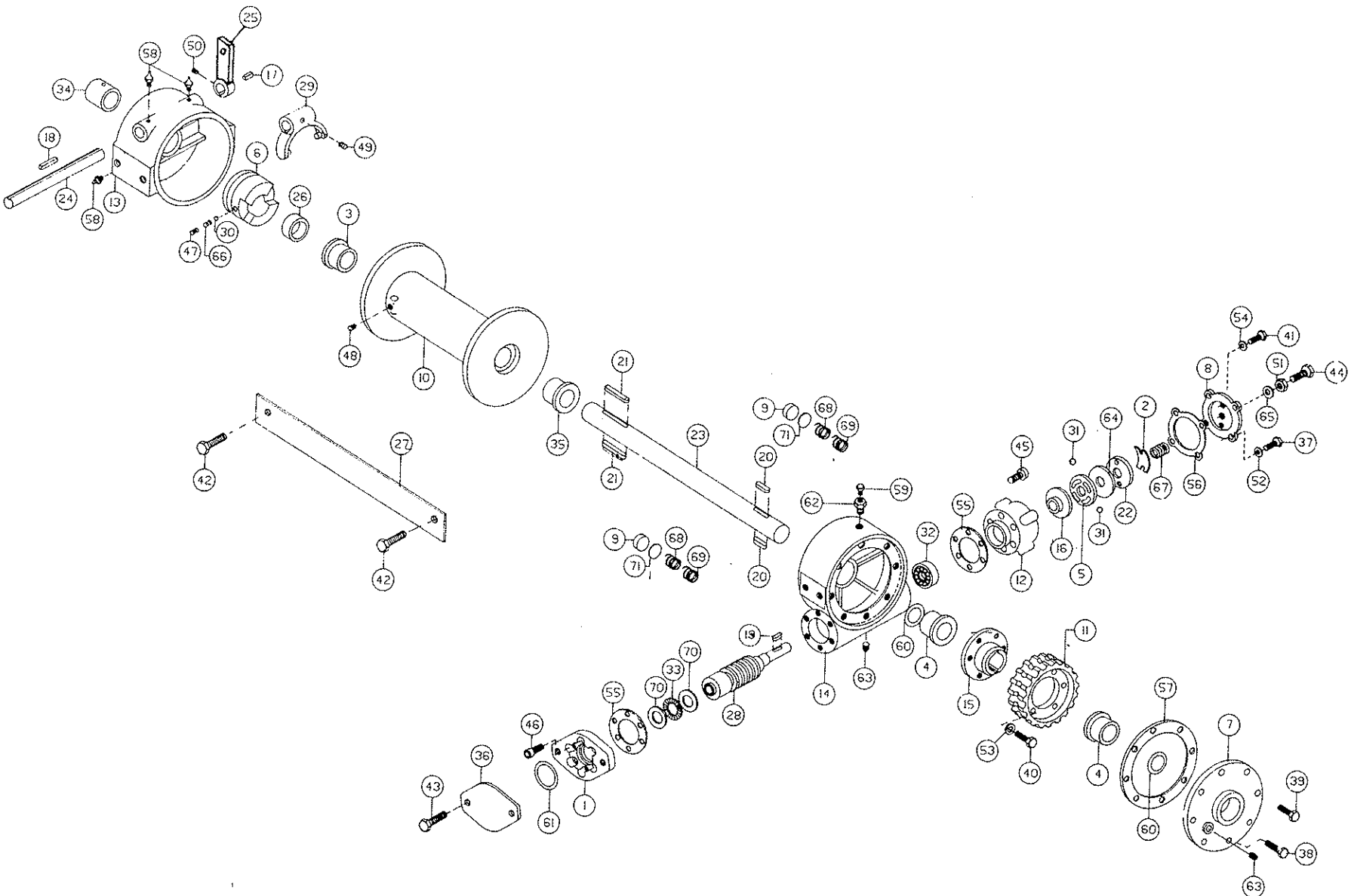
Section VII-PARTS-CH-16-BODY ASSEMBLY



Section VII-PARTS-CH-16-BODY ASSEMBLY

REF. NO.	NO. REQ'D	PART NUMBER	DESCRIPTION
1	1	0302686	TOOL BOX, LEFT 120" C.A.
2	1	0302687	TOOL BOX ,RIGHT 120" C.A.
3	2	MA0367	MUD FLAP, CHALLENGER
4	2	0705092	BAR, MUDFLAP
5	8	0400122	HEX. HD. CAP SCREW, 3/8"-16 X 1 1/4" GD5 ZP
6	8	0400392	NYLOK HEX. NUT ZP, 3/8"-16
7	4	VA0452	FENDER, FIBERGLASS
8	30	0400566	RIVET, 1/4"
9	2	0302300	GAS SPRING CYLINDER (100 LB.)
10	4	0301912	DOOR CHECK, 11"
11	4	0302572	L-BRACKET
12	1	0707084	CONTROL PANEL
13	1	0707216	VALVE COVER
14	1	0802222	SPLASH GUARD
15	2	0802254	MOUNTING BRACKET
16	1	0802256	VERTICAL SUPPORT, R.H.
17	1	0802257	VERTICAL SUPPORT, L.H.
18	1	0802260	TOP CHANNEL
19	1	0500549	DECAL-CONTROL PANEL
20	1	0902286	CHALLENGER NAME PLATE KIT
21	1	0302688	TOOL BOX, LEFT 138" C.A.
22	1	0302689	TOOL BOX, RIGHT 138" C.A.
23	1	0302558	HAND CONTROL ASSEMBLY
24	1	0301909	RECEPTACLE BOOT
25	1	0707231	PLATE, SOCKET MOUNTING

Section VII-PARTS-WINCH ASSEMBLY MODEL H-600SC



Section VII-PARTS-WINCH ASSEMBLY MODEL H-600SC

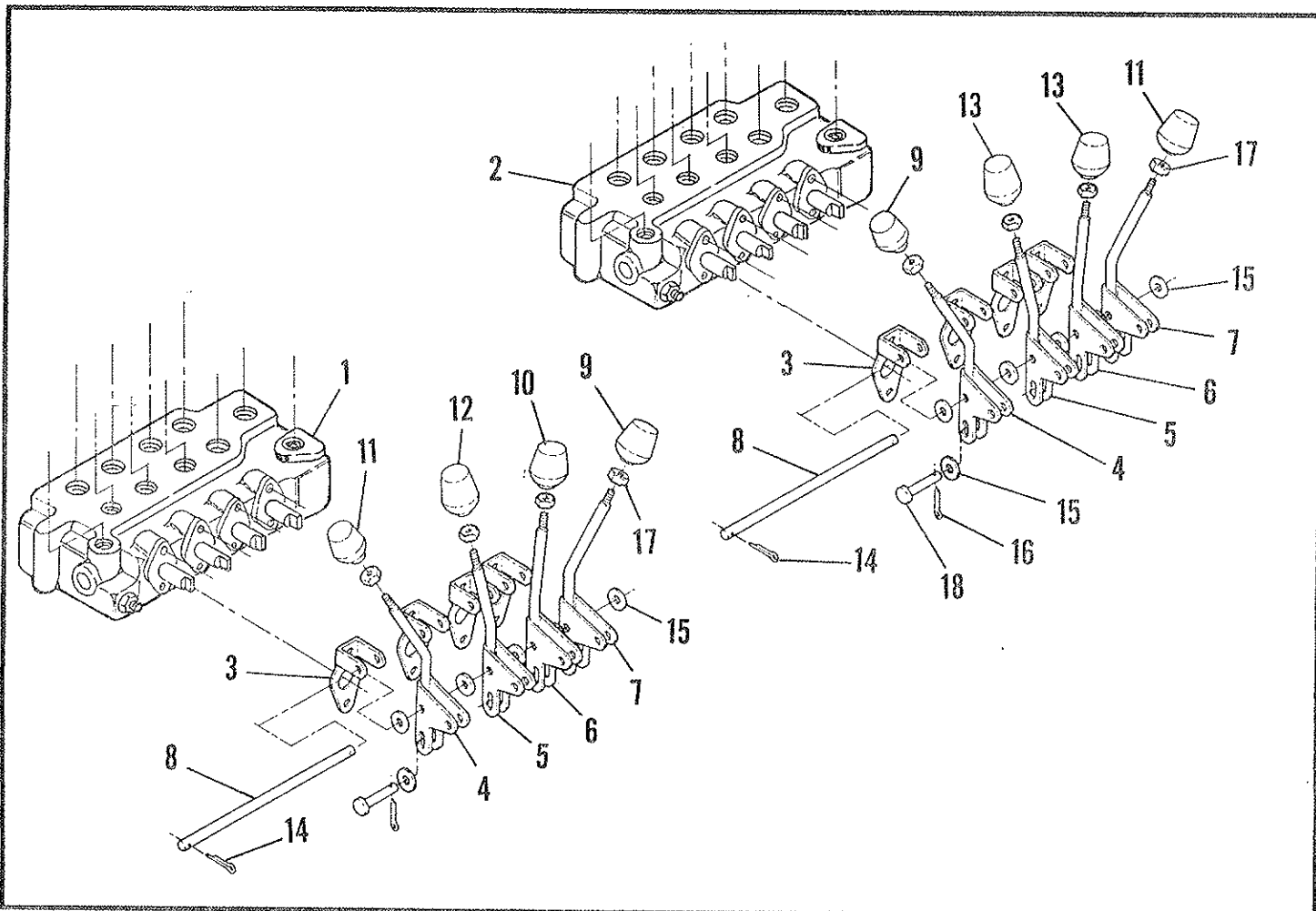
REF. NO.	NO. REQ'D	PART NUMBER	DESCRIPTION
1	1	300062	ADAPTER
2	1	306036	SPRING-FLAT
3	1	308046	BUSHING
4	2	308048	BUSHING
5	1	314003	PLATE-CAM
6	1	324163	CLUTCH-JAW
7	1	328046	COVER
8	1	328057	COVER-BRAKE
9	2	330010	SHOE-DRAG BRAKE
10	1	332140	DRUM-600
11	1	334050	GEAR-R.H.
12	1	338038	HOUSING-BRAKE
13	1	338040	HOUSING-CLUTCH
14	1	338270	HOUSING-GEAR
15	1	340014	HUB-GEAR
16	1	340024	HUB-BRAKE
17	1	342024	KEY-SQ. END
18	1	342032	KEY-SQ. END
19	1	342051	KEY-RD. END
20	2	342120	KEY-RD. END
21	2	450017	KEY-BARTH
22	1	352020	PLATE-RETAINER
23	1	357466	SHAFT-DRUM-600
24	1	356945	SHAFT-SHIFTER
25	1	358001	SHIFTER-HANDLE
26	1	362007	SPACER-DRUM
27	1	364047	SHIP STRAP
28	1	368195	WORM-R.H.
29	1	370003	YOKE
30	1	400003	BALL-POPPET
31	1	400007	BALL-BRAKE
32	1	402044	BEARING-BALL
33	1	402107	BEARING-THRUST
34	1	412005	BUSHING
35	1	412006	BUSHING-600
36	1	413013	COVER-ADAPTER
37	4	414111	CAPSCREW 5/16-18NC X 1 LG. HX. HD. GR. 5
38	1	414140	CAPSCREW 5/16-18NC X 3/4 LG. HX. HD. GR. 5 NYLOK H/P
39	7	414141	CAPSCREW 5/16-18NC X 1 LG. HX. HD. GR. 5 NYLOK H/P
40	6	414283	CAPSCREW 3/8-16NC X 1-1/4 LG. HX. HD. GR. 8
41	2	414398	CAPSCREW 3/8-24NF X 1 LG. HX. HD. GR. 5 NYLOK H/P

continued on next page

Section VII-PARTS-WINCH ASSEMBLY MODEL H-600SC

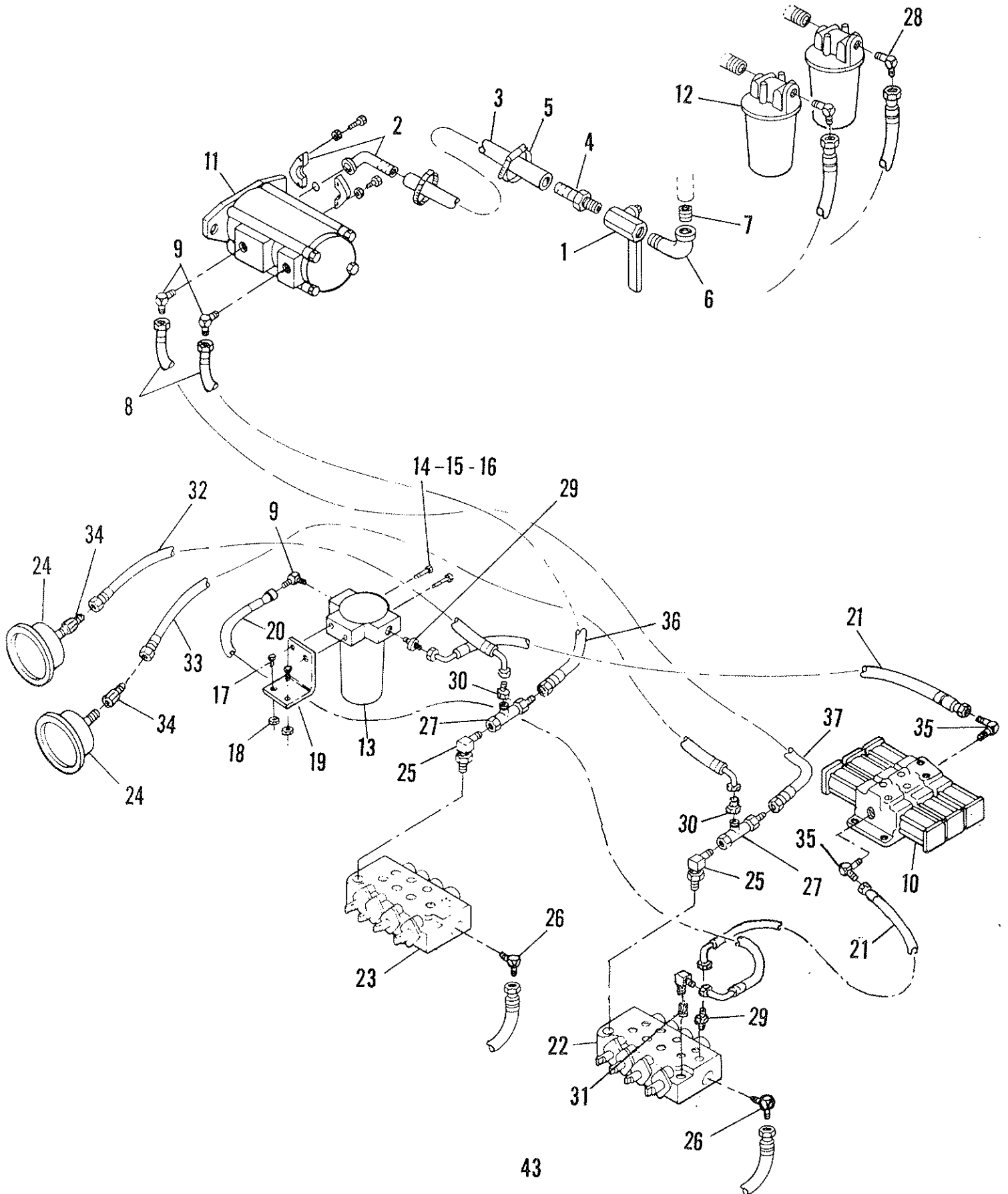
REF. NO.	NO. REQ'D	PART NUMBER	DESCRIPTION
42	2	414411	CAPSCREW 7/16-14NC X 3/4 LG. HX. HD. GR. 5
43	2	414581	CAPSCREW 1/2-13NC X 3/4 LG. HX. HD. C.P. GR. 5
44	1	414603	CAPSCREW 1/2-20NF X 1-3/4 LG. HX. HD. GR. 5 ALL-THD.
45	6	414865	CAPSCREW 5/16-18NC X 1 LG. HX. SOC. HD.
46	6	414887	CAPSCREW 5/16-18NC X 1 LG. SOC. BUTTON HD. ND STRIP
47	1	414971	SCREW-POPPET 1/2-20 NF HD.-LESS DR. SLOT
48	1	416059	SETSCREW 3/8-16NC X 1/2 LG. HX. SOC. HD.
49	1	416109	SETSCREW 5/16-18NC X 1/2 LG. SQ. HD.
50	1	416112	SETSCREW 5/16-18NC X 3/4 LG. SQ. HD.
51	1	418067	NUT-JAM 1/2-20 NF HX.
52	4	418163	LOCKWASHER 5/16 MED. SECT.
53	6	418176	LOCKWASHER 3/8 MED. SECT.
54	2	418184	WASHER-FLAT 3/8 ALUM.
55	2	442182	GASKET
56	1	442190	GASKET
57	1	442191	GASKET
58	3	456006	FITTING-LUBE
59	1	456008	FITTING-RELIEF
60	2	462003	QUAD-RING
61	1	462029	O-RING
62	1	468002	REDUCER
63	2	468011	PLUG-PIPE
64	1	474004	PLATE
65	1	486076	THREAD SEAL
66	1	494005	SPRING
67	1	494010	SPRING
68	2	494088	SPRING
69	2	494089	SPRING
70	2	518026	THRUST WASHER
71	2	530094	SPACER-BRAKE DISC

Section VII-PARTS-CONTROL ASSEMBLY



REF. NO.	NO. REQ'D	PART NUMBER	DESCRIPTION
1	1	0300011	VALVE, 4 SPOOL CONTROL, LEFT
2	1	0302557	VALVE, 4 SPOOL CONTROL, RIGHT
3	8	0301638	BRACKET, CONTROL HANDLE
4	2	0800795	CONTROL HANDLE
5	2	0800798	CONTROL HANDLE
6	2	0800797	CONTROL HANDLE
7	2	0800796	CONTROL HANDLE
8	2	0702983	ROD, CONTROL HANDLE 5/16" DIA. X 6-1/8" LG.
9	2	0300834	KNOB, CONTROL (IN-OUT)
10	1	0300835	KNOB-BOOM UP-DOWN
11	2	0300836	CONT. KNOB-JACK UP-DOWN
12	1	0300837	KNOB-BOOM IN-OUT
13	2	0300341	KNOB, W/L X-BAR CONTROL
14	4	0400541	COTTER PIN, 1/16" X 3/4 LG
15	24	0400465	WASHER, 5/16" SAE PLAIN
16	8	0400543	COTTER PIN, 1/8" X 3/4 LG.
17	8	0400393	NUT, 3/8"-16 JAM
18	8	0400532	CLEVIS PIN, 5/16" DIA. X 1" LG

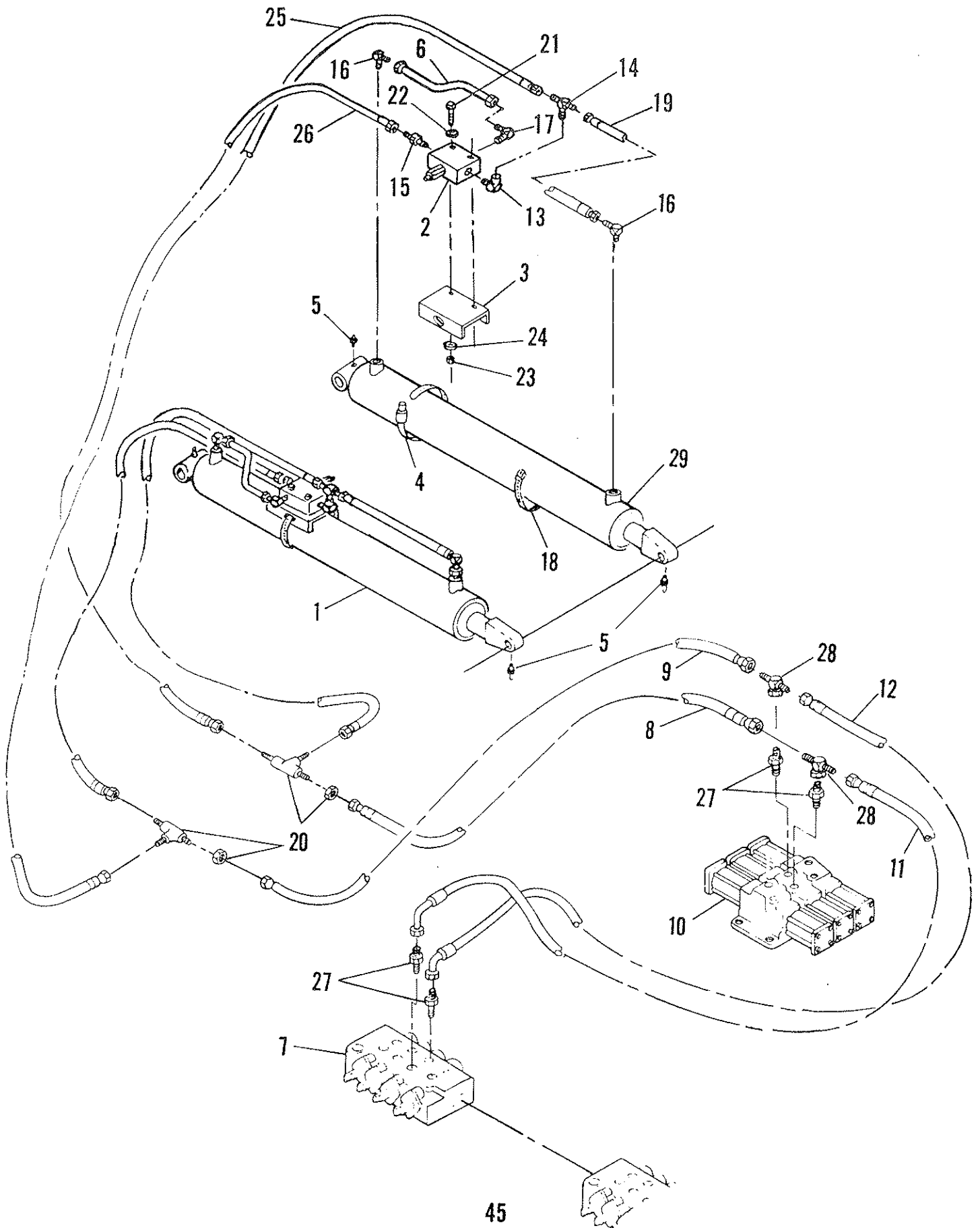
Section VII-PARTS- PUMP HYD.-HI-PRESS & RETURN



Section VII-PARTS PUMP HYD.-HI-PRESS & RETURN

REF. NO.	NO. REQ'D	PART NUMBER	DESCRIPTION
1	1	0302088	VALVE, BRONZE BALL
2	1	0302242	FLANGE FITTING
3	1	0300671	SUCTION HOSE, 1 1/2" X 10 FT.
4	1	0300666	BARB
5	2	0300364	CLAMP, HOSE, 1"-2.25"
6	1	0300627	ELBOW, 90 DEG. STREET
7	1	0300891	PIPE NIPPLE, 1 1/2 X 3"
8	2	0300165	HOSE ASSEMBLY, 150"
9	3	0301547	ELBOW
10	1	0301883	SOLENOID VALVE
11	1	0301507	PUMP, HYDRAULIC, OPP. ENG.
12	2	0300136	FILTER ASSEMBLY
13	1	0302506	FILTER, IN-LINE
14	2	0400081	HEX. HD. CAP SCREW 1/4"-20 X 3-1/2"
15	2	0400451	FLATWASHER ZP, 1/4"
16	2	0400367	NYLON HEX, NUT ZP, 1/4"-20
17	2	0400126	HEX. HD. CAP SCREW, 3/8"-16X1
18	2	0400392	NYLOK HEX, NUT ZP, 3/8"-16X1"
19	1	0707228	ANGLE, FILTER MOUNTING
20	1	0302331	HOSE ASSEMBLY, 22-1/2"
21	2	0301471	HOSE ASSEMBLY, 30"
22	REF.	0302557	VALVE, 4 SPOOL CONTROL
23	REF.	0300011	VALVE, 4 SPOOL CONTROL
24	2	0302205	GAUGE, HYDRAULIC PRESS
25	2	0300052	ELBOW, 90°
26	2	0301545	ELBOW
27	2	0302052	TEE
28	2	0300615	ELBOW
29	2	0301780	CONNECTOR
30	2	0301995	ADAPTER
31	1	0300286	H.P. CARRY-OVER FITTING
32	1	0301908	HOSE ASSEMBLY, 14"
33	1	0302597	HOSE ASSEMBLY, 28"
34	2	0302577	ADAPTER
35	3	0301388	ELBOW, 90 DEGREE
36	1	0302592	HOSE ASSEMBLY, 36"
37	1	0302593	HOSE ASSEMBLY, 54"

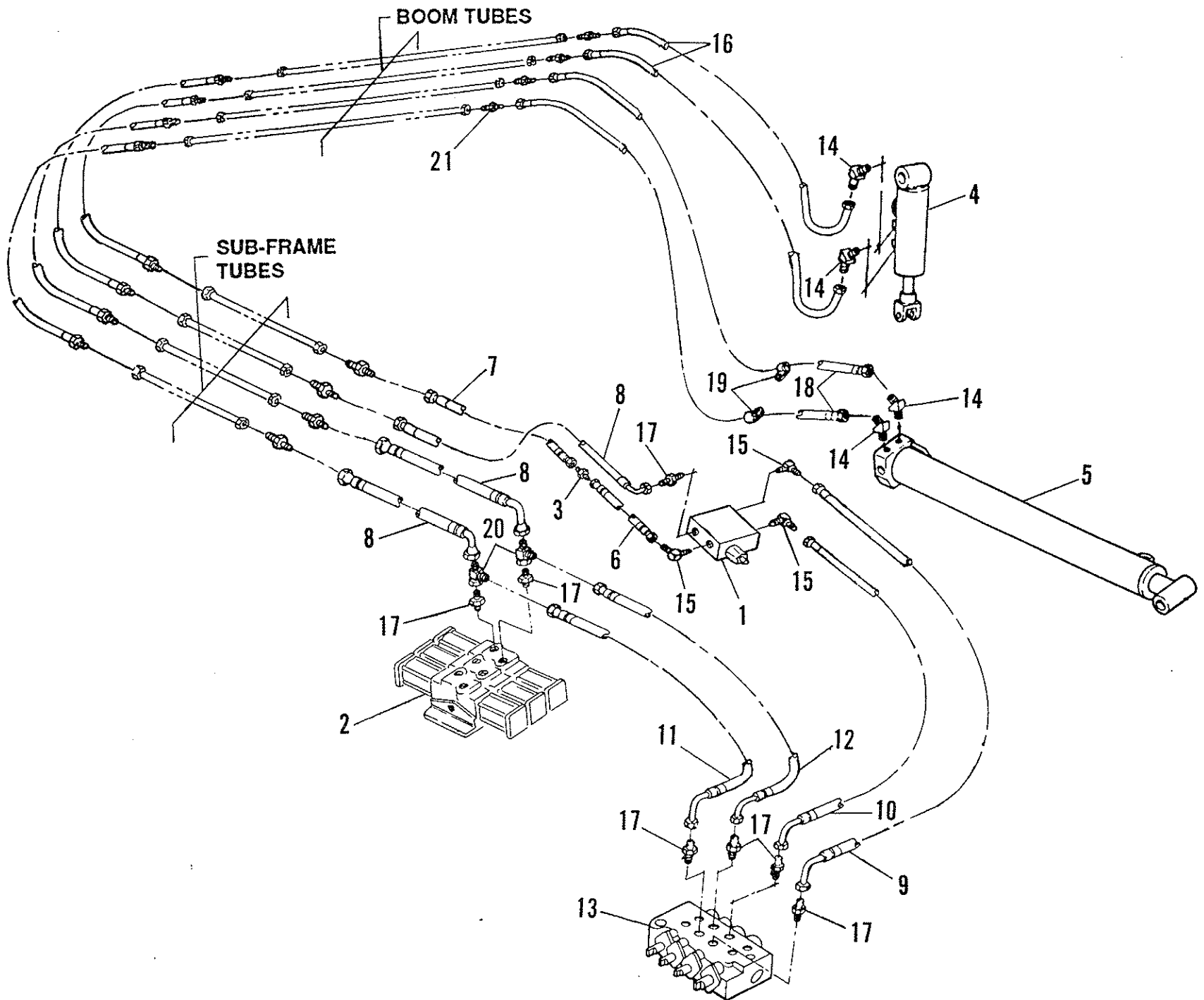
Section VII-PARTS- BOOM ELEVATION HYDRAULICS



Section VII-PARTS-BOOM ELEVATION-HYDRAULIC

REF. NO.	NO. REQ'D	PART NUMBER	DESCRIPTION
1	1	0302346	CYLINDER, LIFT (LEFT)
2	2	0301731	VALVE, HOLDING
3	2	0700238	BRACKET, HOLDING VALVE, LG
4	2	0300365	CLAMP, CHECK VALVE RET.
5	4	0300113	GREASE FITTING, ALEMITE
6	2	0302568	HYDRAULIC TUBING
7	REF	0300011	VALVE, 4 SPOOL CONTROL
8	1	0302035	HOSE ASSEMBLY 18"
9	1	0302036	HOSE ASSEMBLY 26"
10	REF	0301883	SOLENOID VALVE
11	1	0302582	HOSE ASSEMBLY 36"
12	1	0302581	HOSE ASSEMBLY 36"
13	2	0300147	ELBOW, STREET 4 MP-4FP 90 DEG
14	2	0300206	TEE, BRANCH 6MJ-6MJ-4MP
15	1	0301425	CONNECTOR
16	4	0300229	ELBOW, 90 DEG.
17	2	0302051	ELBOW, 90 DEG.
18	4	0302569	WIRE TIE, 29 3/4" LG.
19	2	0302583	HOSE ASSEMBLY 35 1/2"
20	2	0302575	TEE, BULKHEAD RUN
21	4	0400064	SCREW, RD. HD. SLOTTED 1/4"-20 X 2 1/4", ZP
22	4	0400451	WASHER, FLAT 1/4" ZP
23	4	0400366	NUT, HEX. 1/4"-20 ZP
24	4	0400452	WASHER, HELICAL LOCK 1/4" ZP
25	2	0302633	HOSE ASSEMBLY 50"
26	2	0302632	HOSE ASSEMBLY 40"
27	4	0300044	CONNECTOR, 6 MJ-8MB
28	2	0302573	TEE
29	1	0302347	CYLINDER, LIFT (RIGHT)

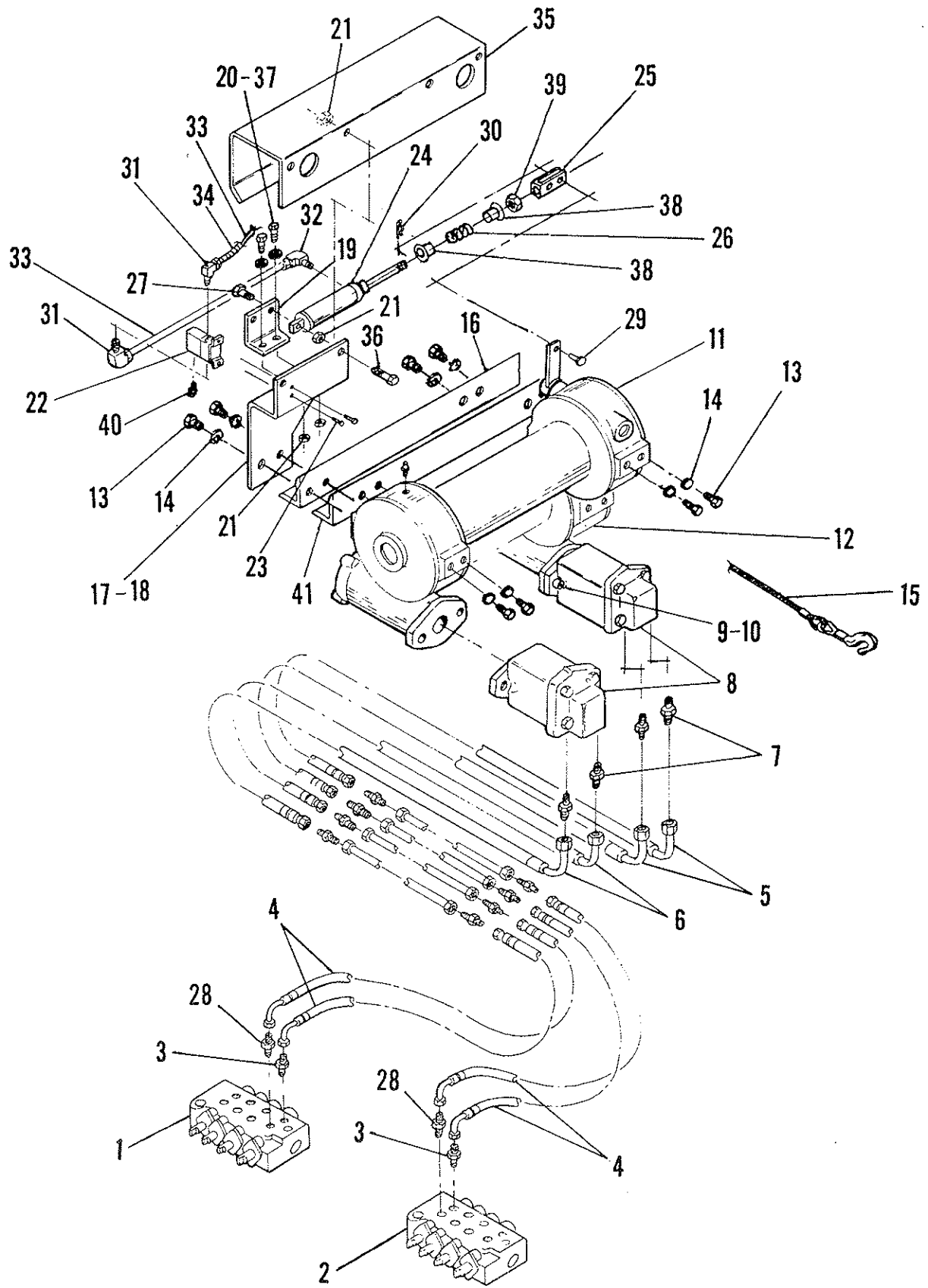
Section VII - PARTS - UNDERLIFT HYDRAULICS



Section VII-PARTS-UNDERLIFT HYDRAULIC

REF. NO.	NO. REQ'D	PART NUMBER	DESCRIPTION
1	1	0301730	DOUBLE HOLDING VALVE
2	REF	0301883	SOLENOID VALVE
3	1	0301837	INLINE ORIFICE
4	REF	0301765	CYLINDER, BOOM FOLDING
5	REF	0302615	CYLINDER, EXTEND
6	1	0301908	HOSE ASSEMBLY 14"
7	1	0302606	HOSE ASSEMBLY 9"
8	3	0302579	HOSE ASSEMBLY 24"
9	1	0302586	HOSE ASSEMBLY 54"
10	1	0302585	HOSE ASSEMBLY 54"
11	1	0302582	HOSE ASSEMBLY 36"
12	1	0302581	HOSE ASSEMBLY 36"
13	REF	0302557	VALVE, 4 SPOOL CONTROL
14	4	0302509	ELBOW, 45 DEG.
15	3	0301470	ELBOW, 90 DEG.
16	2	0302636	HOSE ASSEMBLY 58"
17	7	0300044	CONNECTOR, 6 MJ-8MB
18	2	0302637	HOSE ASSEMBLY 72"
19	4	0301601	HOSE CLAMP, INSUL, 5/8"
20	2	0301781	TEE, SWIVEL NUT RUN
21	6	0302514	ADAPTOR 8MJ-6MJ

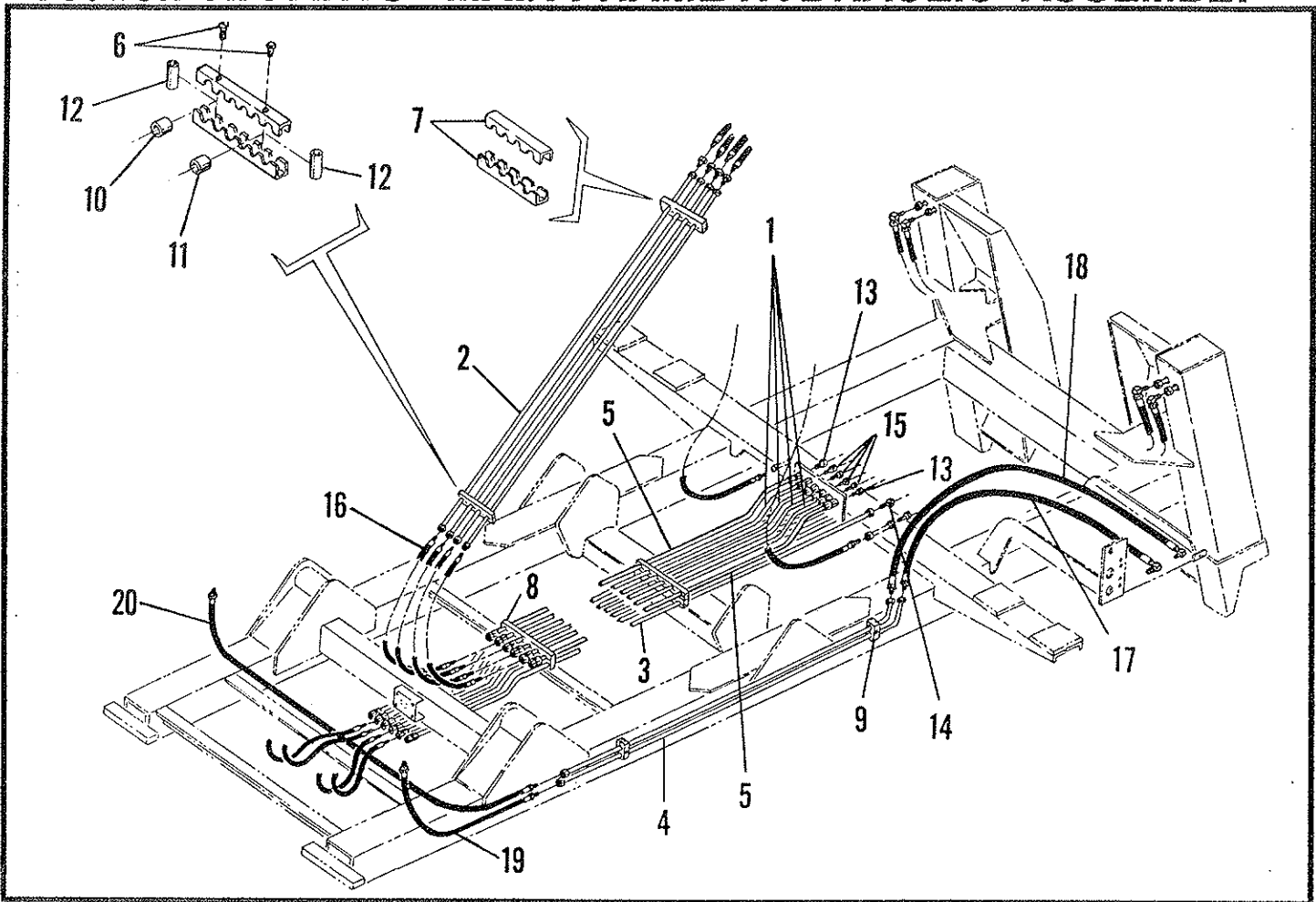
Section VII-PARTS-WINCH-AIR & HYDRAULIC



Section VII-PARTS-WINCH-AIR & HYDRAULIC

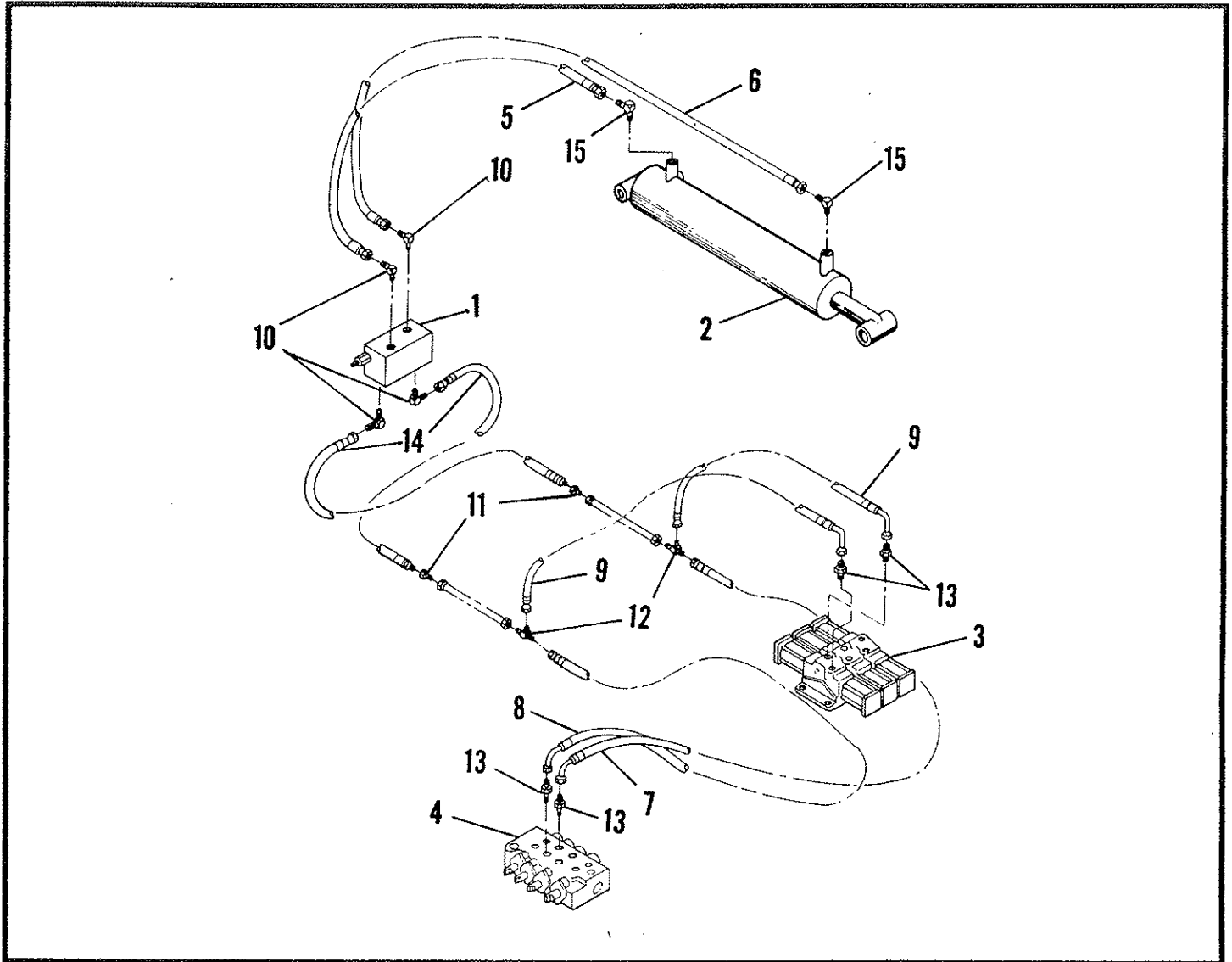
REF. NO.	NO. REQ'D	PART NUMBER	DESCRIPTION
1	REF.	0300011	VALVE, 4 SPOOL CONTROL
2	REF.	0302557	VALVE, 4 SPOOL CONTROL
3	2	0300041	CONNECTOR, STRAIGHT
4	4	0300787	HOSE ASSEMBLY
5	2	0302630	HOSE ASSEMBLY
6	2	0302631	HOSE ASSEMBLY
7	4	0301376	CONNECTOR, STRAIGHT
8	2	0302627	MOTOR, HYDRAULIC
9	4	0400238	SCREW
10	4	0400491	WASHER, HELICAL LOCK
11	1	0302617	WINCH, H-600SC LEFT
12	1	0302618	WINCH, H-600SC RIGHT
13	16	0400234	SCREW, HEX-HD.
14	16	0400487	WASHER, HELICAL LOCK
15	2	0302626	CABLE, ASSEMBLY
16	1	0707338	WINCH MOUNTING ANGLE-REAR
17	1	0707416	BRACKET, LEFT FREESPOOL
18	1	0707417	BRACKET, RIGHT FREESPOOL
19	2	0702382	MOUNTING ANGLE
20	4	0400122	SCREW, HEX. HD.
21	8	0400392	NUT, HEX.
22	2	0300324	VALVE, SOLENOID AIR CONTROL
23	4	0400034	SCREW
24	2	0302055	AIR CYLINDER
25	2	0800772	ADJUSTMENT YOKE
26	2	0302795	SPRING, AIR CYLINDER
27	2	0400132	SCREW, HEX. HD. 3/8"-16 X 1 1/2" GR5 ZP
28	2	0301445	CONNECTOR, STRAIGHT EXTENDED
29	2	0400530	CLEVIS PIN
30	2	0400543	COTTER PIN
31	4	0302678	ELBOW, 1/4" TUBE X 1/8" MP 90
32	2	0301574	ELBOW, 90 DEG. BRASS MALE
33	18 FT.	0301577	AIR HOSE, 1/4" O.D.
34	7 FT.	0302432	LOOM, 5/16"
35	2	0707418	COVER, FREESPOOL
36	4	0400121	SCREW, HEX. HD.
37	8	0400480	WASHER
38	4	RR809	BUSHING
39	2	0400412	NUT
40	2	0302677	BREATHER
41	1	0707337	WINCH MOUNTING ANGLE-FRONT

Section VII-PARTS - MAIN FRAME HYDRAULIC ASSEMBLY



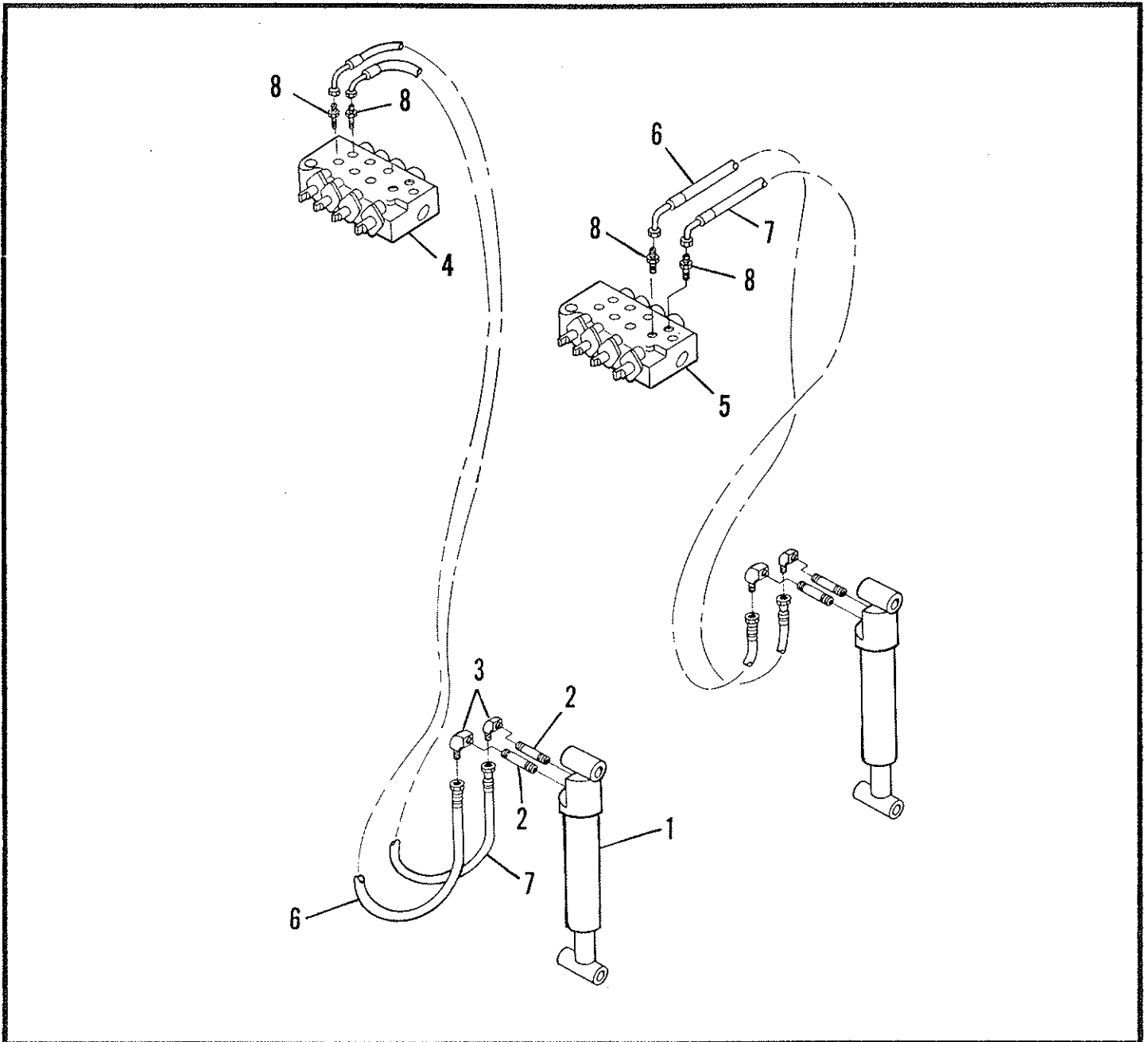
REF. NO.	NO. REQ'D	PART NUMBER	DESCRIPTION
1	4	0302620	TUBE ASSEMBLY
2	4	0302624	TUBE ASSEMBLY
3	6	0302621	TUBE ASSEMBLY
4	2	0302623	TUBE ASSEMBLY
5	2	0302622	TUBE ASSEMBLY
6	14	0400118	SCREW, 5/16-18X3/4" HHCS GR5 ZP
7	3	0302547	CLAMPING UNIT
8	5	0302548	CLAMPING UNIT
9	2	0302546	CLAMPING UNIT
10	38	0302549	BUSHING 1/2"-SPLIT
11	8	0302550	BUSHING 3/4"-SPLIT
12	18	0302551	STACKING NUTS, SOCKET HEAD
13	2	0301093	BULKHEAD UNION
14	2	0302574	BULKHEAD RUN TEE
15	8	0302576	BULKHEAD UNION W/NUT 8MJ-8 BLKHD
16	4	0302918	HOSE ASSEMBLY-32"
17	1	0302594	HOSE ASSEMBLY-52"
18	1	0302595	HOSE ASSEMBLY-62"
19	1	0302599	HOSE ASSEMBLY-36"
20	1	0302629	HOSE ASSEMBLY

Section VII-PARTS - BOOM EXT./RET. HYDRAULICS



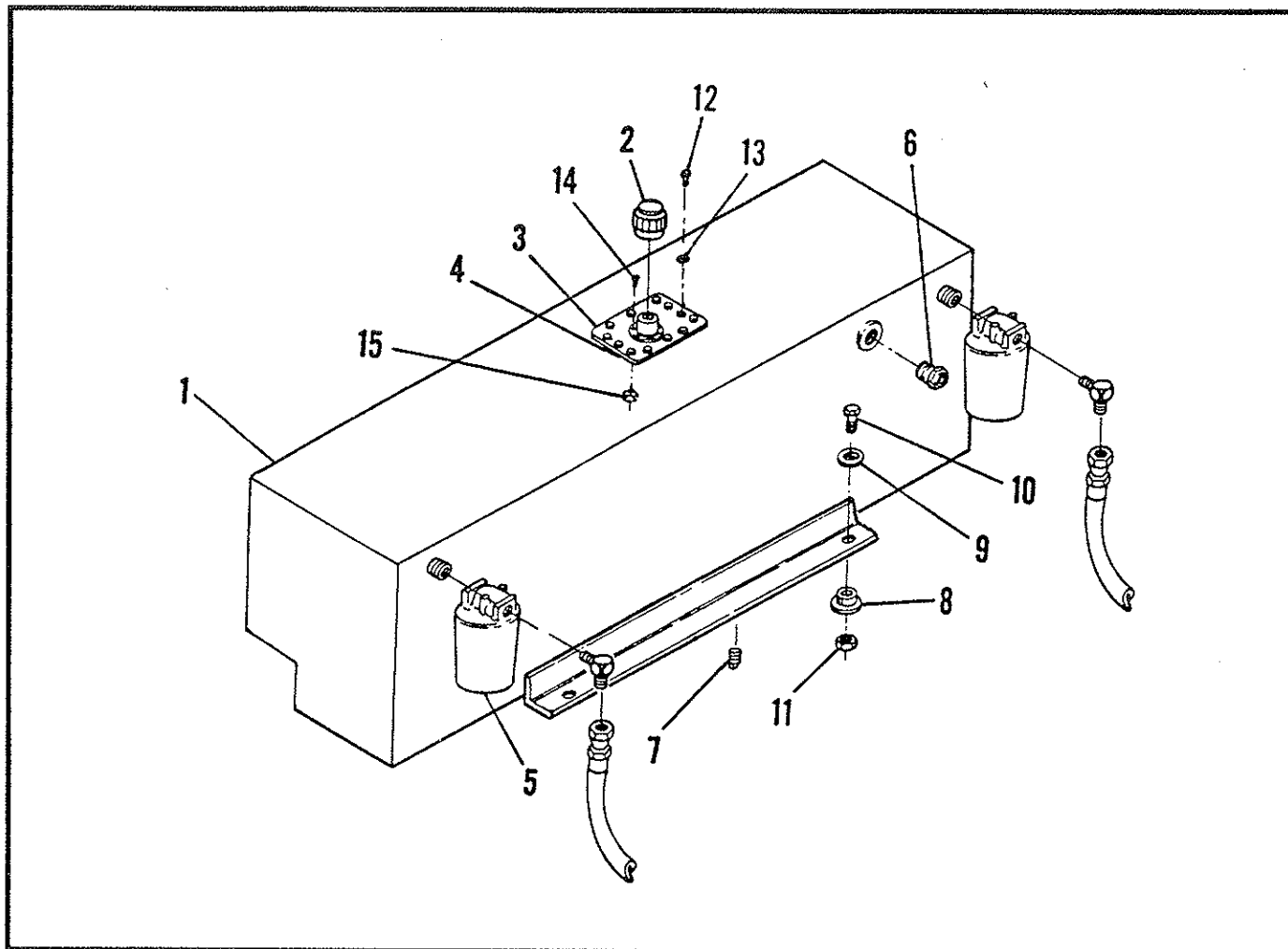
REF. NO.	NO. REQ'D	PART NUMBER	DESCRIPTION
1	1	0301730	DOUBLE HOLDING VALVE
2	1	0302614	CYLINDER EXTEND
3	REF.	0301883	VALVE, SOLENOID
4	REF.	0300011	VALVE, 4 SPOOL CONTROL (LEFT)
5	1	0302634	HOSE ASSY
6	1	0302635	HOSE ASSY, 159"
7	1	0302584	HOSE ASSY, 50"
8	1	0302588	HOSE ASSY
9	2	0302579	HOSE ASSY
10	4	0301470	ELBOW, 90°
11	2	0302514	ADAPTOR 8MJ-6MJ
12	2	0302574	TEE, BULKHEAD RUN
13	4	0300044	CONNECTOR, 6MJ-8MB
14	2	0302036	HOSE ASSY 26", 6 MIT W/6FJX EE
15	2	0301620	ELBOW

Section VII - PARTS-REAR JACK HYDRAULICS



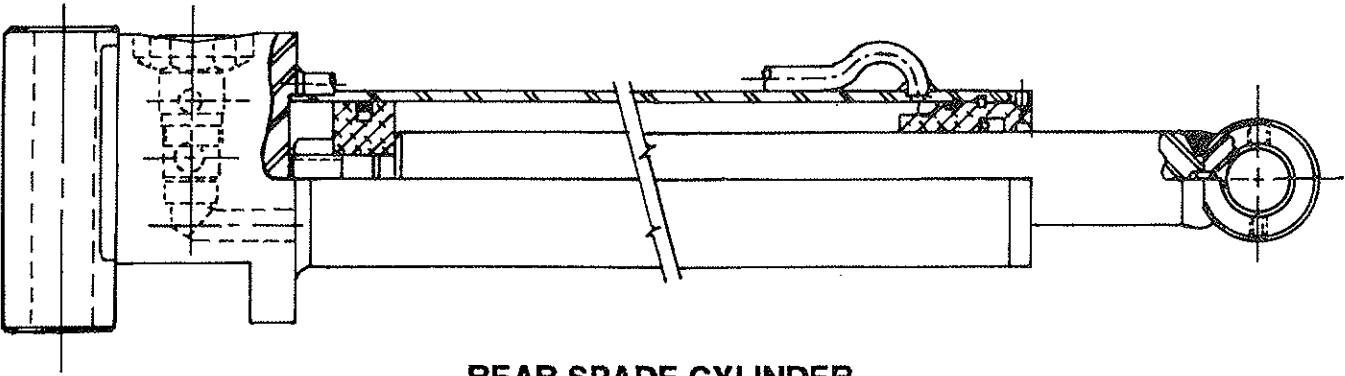
REF. NO.	NO. REQ'D	PART NUMBER	DESCRIPTION
1	REF.	0302616	CYLINDER, HYDRAULIC
2	4	0301819	NIPPLE, BLACK PIPE
3	4	0300689	ELBOW, STEEL STREET, 90°
4	REF.	0300011	VALVE, 4 SPOOL CONTROL
5	REF.	0302557	VALVE, 4 SPOOL CONTROL
6	2	0302591	HOSE ASSEMBLY, 76"
7	2	0302590	HOSE ASSEMBLY, 76"
8	4	0300044	CONNECTION

Section VII-PARTS-RESERVOIR HYDRAULICS



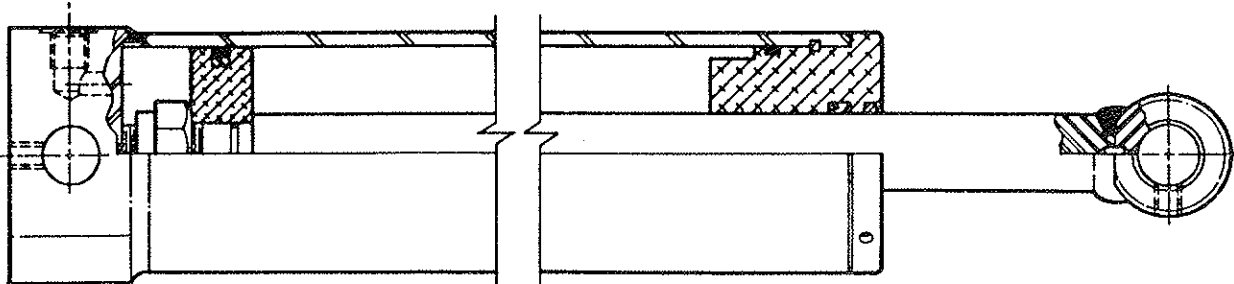
REF. NO.	NO. REQ'D	PART NUMBER	DESCRIPTION
1	1	0802245	RESERVOIR
2	1	0305006	FILLER BREATHER CAP
3	1	0705910	COVER PLATE
4	1	0706114	GASKET, CLEANOUT & FILLER COVER
5	REF.	0300136	FILTER ASSY.
6	1	0302570	SIGHT GAGE
7	1	0300446	PIPE PLUG, 3/4"
8	4	0302227	CENTER BOND MOUNT
9	4	0302228	SPECIAL WASHER
10	4	0400150	SCREW, HEX. HD. 3/8-16 X 2 1/2" GD. 5 ZP
11	4	0400392	NUT, HEX. 3/8-16 NYLOK
12	12	0400122	SCREW, HEX. HD. 3/8-16 X 1 1/4" GD. 5 ZP
13	12	0400482	WASHER, 3/8" LOCK-ZP
14	6	0400036	SCREW, MACH. #10-32X1"-ZP
15	6	0400357	NUT, HEX. #10-32 NYLON LOCK

Section VII-PARTS-HYDRAULIC CYLINDERS



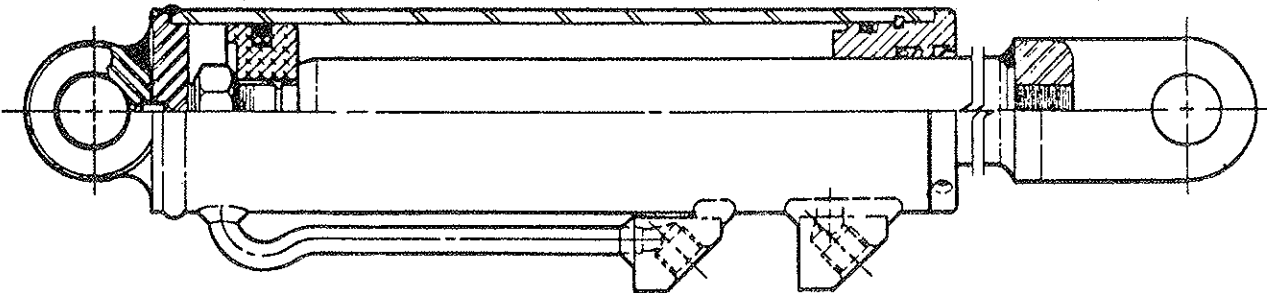
REAR SPADE CYLINDER

REF. NO.	NO. REQ'D	PART NUMBER	DESCRIPTION
1	2	0302616	REAR SPADE CYLINDER (COMPLETE)
2	1	0304244	SEAL KIT, REAR SPADE CYLINDER



UNDERLIFT EXT./RET. CYLINDER

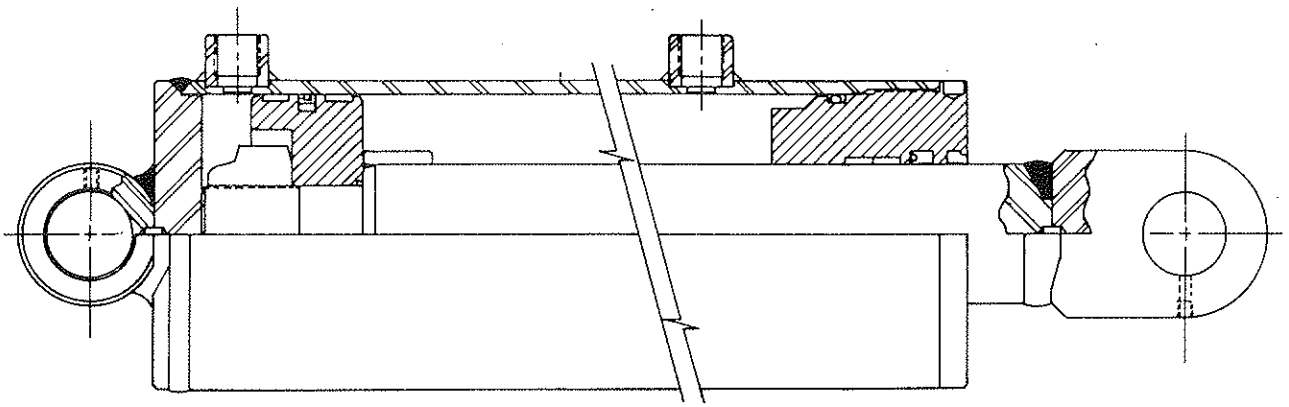
REF. NO.	NO. REQ'D	PART NUMBER	DESCRIPTION
1	1	0302615	HYDRAULIC CYLINDER, BOOM EXTEND (COMPLETE)
2	1	0304319	SEAL KIT, BOOM EXTEND CYLINDER



UNDERLIFT FOLD CYLINDER

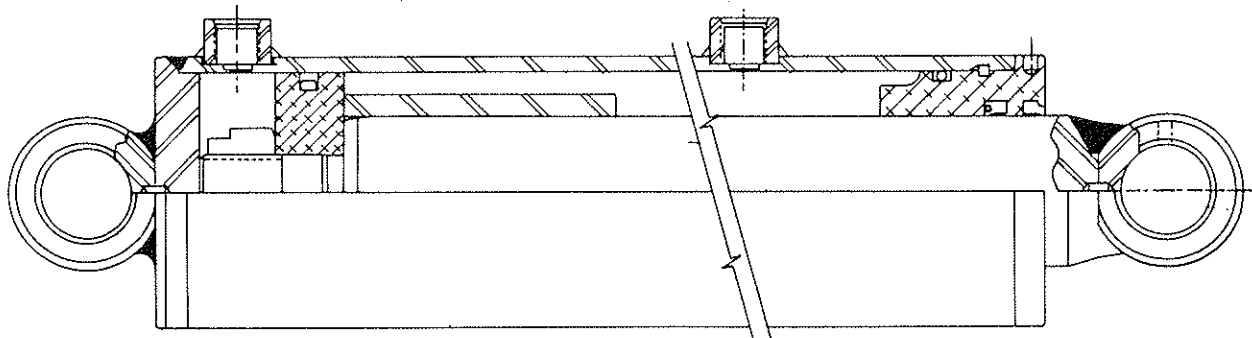
REF. NO.	NO. REQ'D	PART NUMBER	DESCRIPTION
1	1	0301765	HYDRAULIC CYLINDER, SDU FOLD (COMPLETE)
2	1	0304244	SEAL KIT, SDU FOLD CYLINDER

Section VII-PARTS-HYDRAULIC CYLINDERS



WRECKER BOOM ELEVATION CYLINDER

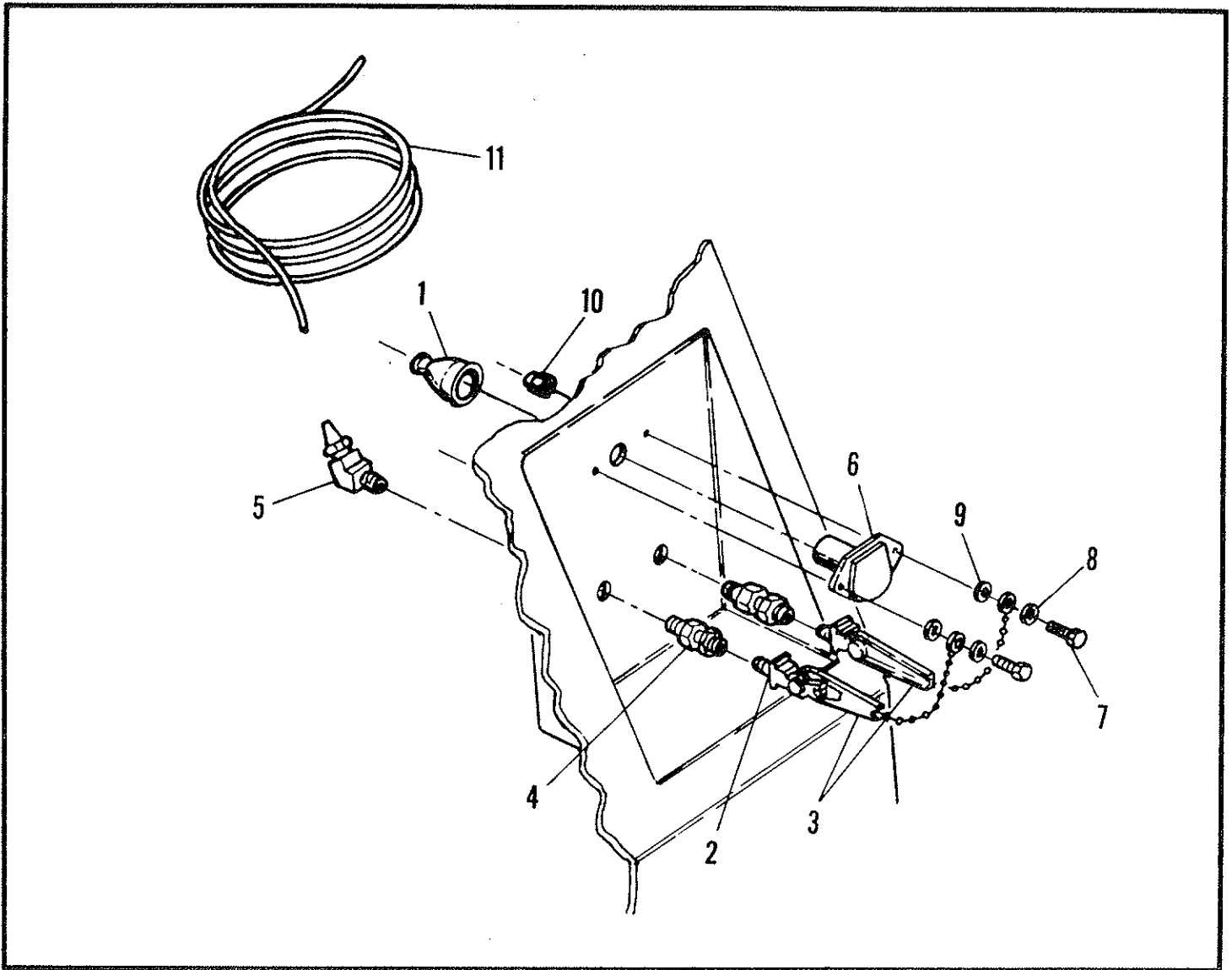
REF. NO.	NO. REQ'D	PART NUMBER	DESCRIPTION
1	1	0302346	CYL., LIFT, 5" BORE X 31" STR (COMPLETE) LEFT
2	1	0302347	CYL. LIFT, 5" BORE X 31" STR (COMPLETE) RIGHT
3	1	0304460	SEAL KIT, LIFT CYLINDER



WRECKER BOOM EXT./RET. CYLINDER

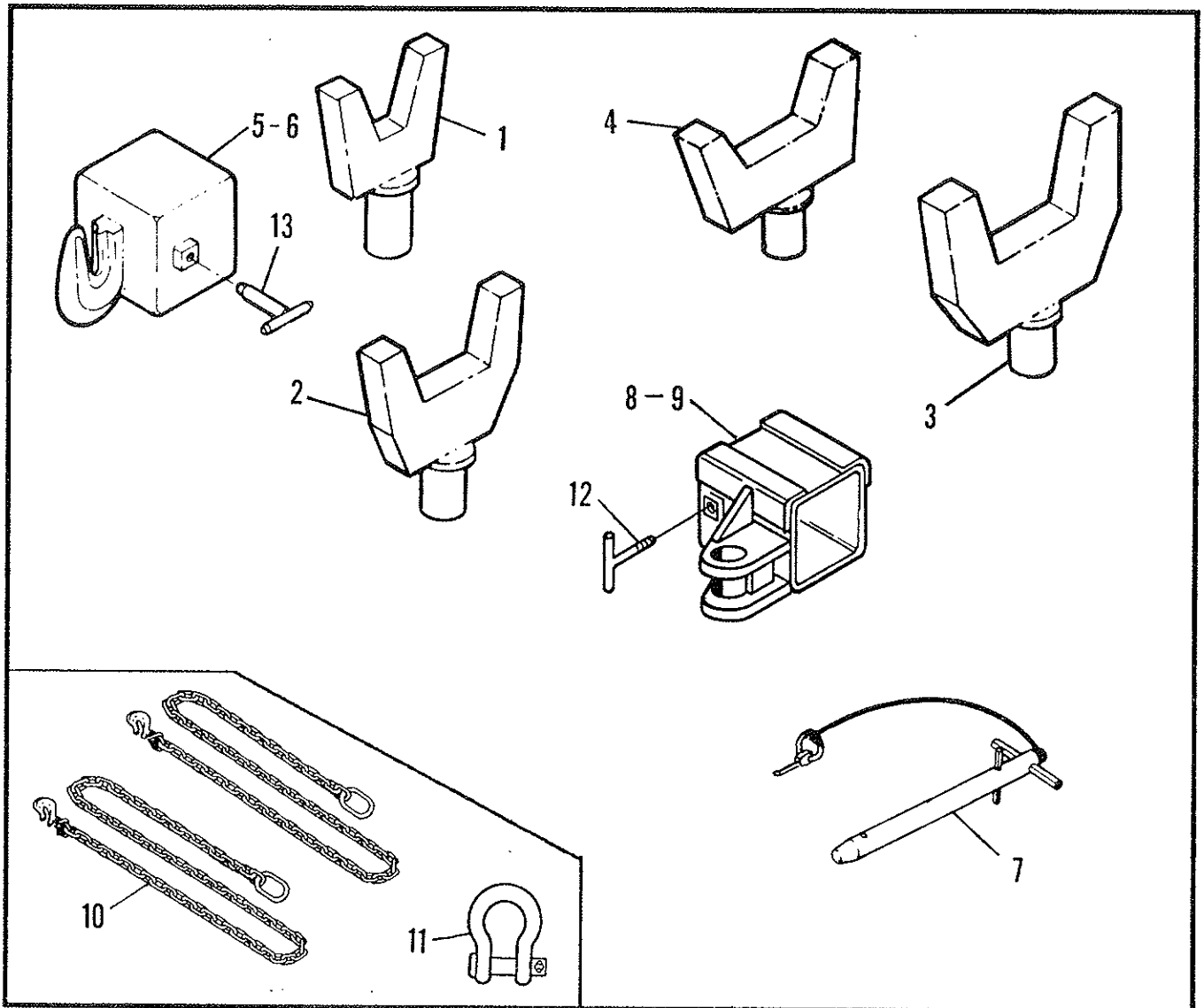
REF. NO.	NO. REQ'D	PART NUMBER	DESCRIPTION
1	1	0302614	EXTEND, CYLINDER (COMPLETE)
2	1	0304458	SEAL KIT, EXTEND CYLINDER

Section VII-PARTS-GLAD HAND ASSEMBLY



REF. NO.	NO. REQ'D	PART NUMBER	DESCRIPTION
1	1	0301909	RECEPTACLE BOOT
2	2	0301944	GLAD HAND COUPLING, UNIV.
3	2	0301945	GLAD HAND PLUG
4	2	0301946	BULKHEAD CONNECTOR
5	2	0301947	45 DEG. ADAPTOR 1/4NPM-3/8
6	1	0301948	HD 7 WAY TRAILER CONNECT
7	2	0400070	1/4-20X1" HHCS GR5 ZP
8	2	0400463	5/16" FLATWASHER ZP
9	2	0400451	1/4" FLATWASHER ZP
10	2	0400367	1/4-20 NYLOK HEX NUT ZP
11	2	0703795	AIR HOSE-3/8 SYN FLEX

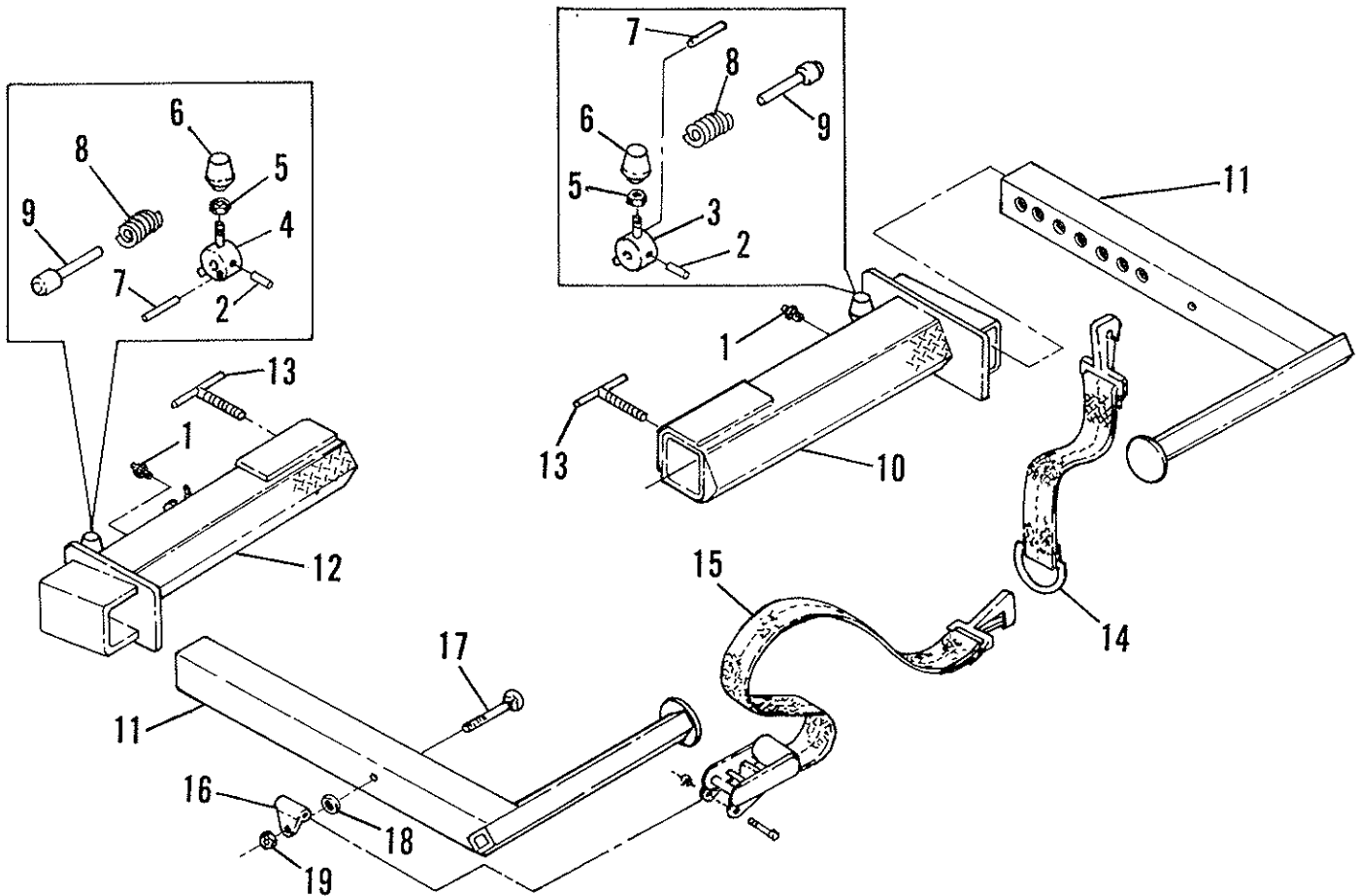
Section VII-PARTS-LIFT ADAPTORS



REF. NO.	NO. REQ'D	PART NUMBER	DESCRIPTION
1	2	0800858	FORK WELDMENT, SHORT (3" OPENING)
2	2	0800857	FORK WELDMENT, MEDIUM (3" OPENING)
3	2	0801088	FORK WELDMENT, LONG (4-1/2" OPENING)
4	2	0801087	FORK WELDMENT MEDIUM (4-1/2" OPENING)
5	1	0802252	CHAIN HOOK ADAPTOR, R.H.
6	1	0802251	CHAIN HOOK ADAPTOR, L.H.
7	2	0902378	RETAINER PIN, SPRING LIFT BRACKET
8	1	0802249	LEFT FORK ADAPTOR
9	1	0802250	RIGHT FORK ADAPTOR (SHOWN)
10	2	0302655	SAFETY CHAINS
11	1	0302656	ANCHOR SHACKLE
12	2	0800590	TEE HANDLE
13	2	0801184	TEE HANDLE

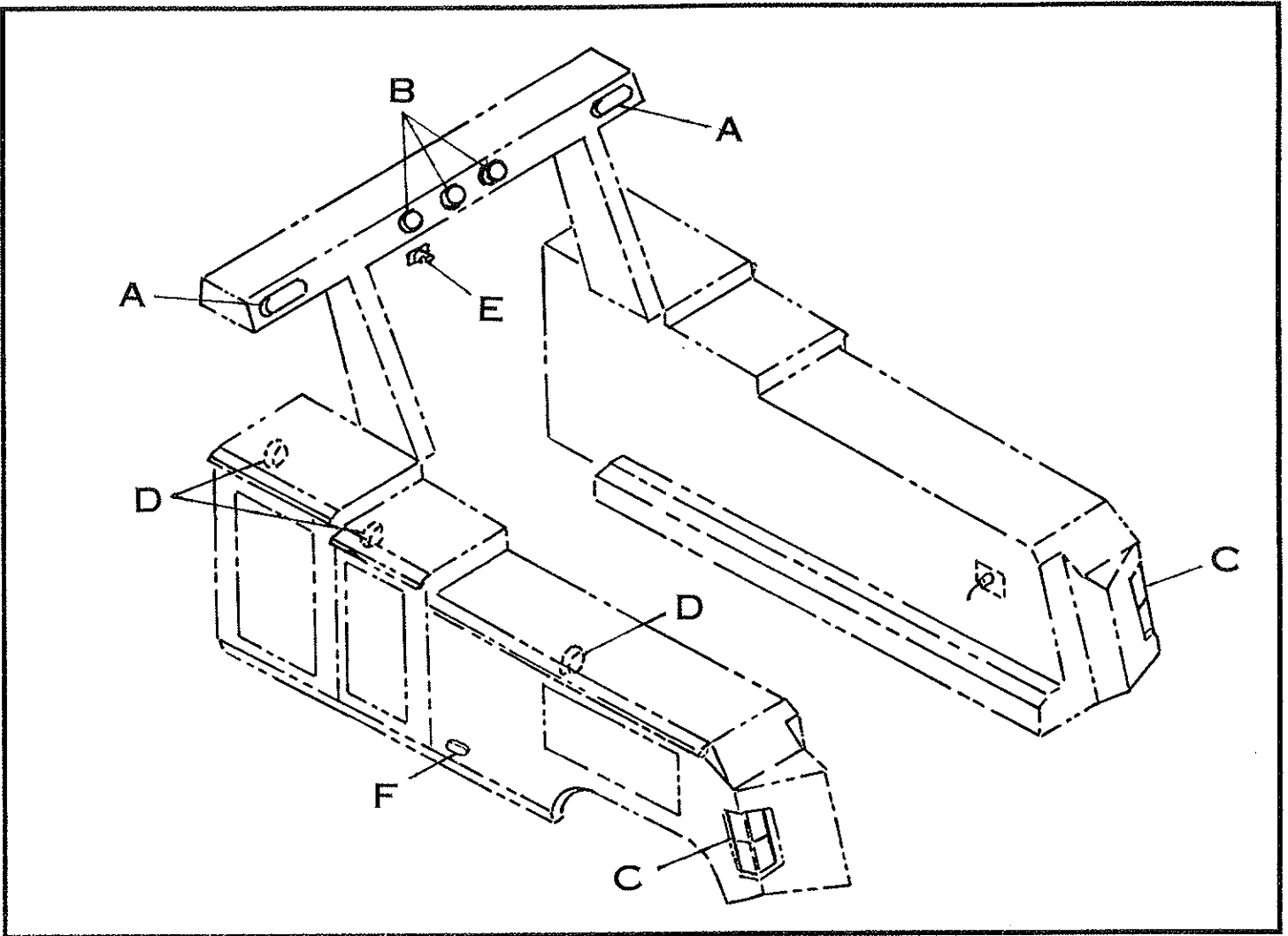
Section VII-PARTS

OUTER CROSS TUBE & SLIDE-IN TIRE RESTRAINT ASS'Y



REF. NO.	NO. REQ'D	PART NUMBER	DESCRIPTION
1	2	0300113	GREASE FITTING (STR.)
2	2	0400560	ROLL PIN
3	1	0802070	RIGHT PLUNGER HANDLE
4	1	0802069	LEFT PLUNGER HANDLE
5	2	0400393	JAM NUT
6	2	0300341	KNOB
7	2	0400559	ROLL PIN
8	2	0301417	PLUNGER SPRING
9	2	0701916	PLUNGER
10	1	0802232	CROSSTUBE, R.H.-OUTER
11	2	0800841	TIRE RESTRAINT
12	1	0802231	CROSSTUBE, L.H.-OUTER
13	2	0800590	"T" HANDLE
14	2	0301681	BELT EXTENSION
15	2	0301682	RATCHET ASSEMBLY
16	2	0800839	PIVOT BRACKET
17	2	0400269	CARRIAGE BOLT
18	2	0400505	5/8" FLATWASHER
19	2	0400421	5/8" LOCKNUT

Section VII-PARTS-LIGHT KIT



A

Diagram A shows the components for a Stop & Turn Light. It includes a lens and bulb assembly (1), a grommet and plug kit (2), a chrome bezel (3), and a bezel mounting screw (4). The lens and bulb assembly is shown being inserted into the bezel, which is then secured with the mounting screw. The grommet and plug kit is shown being inserted into the bezel.

STOP & TURN LIGHT

1. LENS & BULB ASSY	0304125
2. GROMMET & PLUG KIT	0304126
3. CHROME BEZEL	0304124
4. BEZEL MTG. SCREW	0304123
5. LIGHT, TURN (COMPLETE)	0301390

B

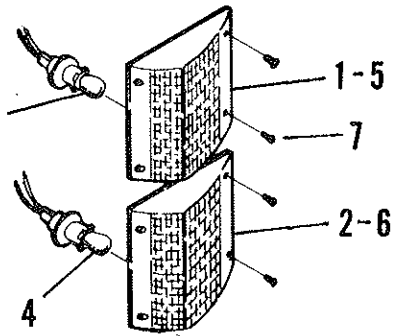
Diagram B shows the components for Marker Lights-Red. It includes a lens and bulb, red marker (1) and a grommet and plug, marker light (2). The lens and bulb is shown being inserted into the grommet and plug.

MARKER LIGHTS-RED

1. LENS & BULB, RED MARKER	0301741
2. GROMMET & PLUG, MARKER LIGHT	0301740

Section VII-PARTS-LIGHT KIT

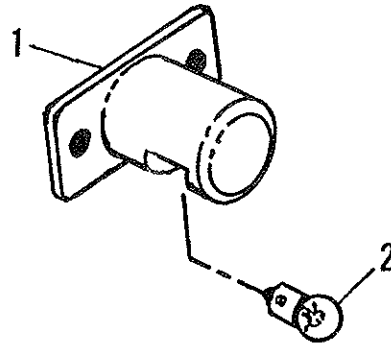
C



STOP & TURN/BACK-UP LIGHTS

- | | |
|-----------------------------|-----------------|
| 1. LIGHT, STOP & TURN (CPL) | 0302542 |
| 2. LIGHT, BACK-UP (CPL) | 0302543 |
| 3. BULB, STOP & TURN | (NOT AVAILABLE) |
| 4. BULB, BACK-UP | (NOT AVAILABLE) |
| 5. LENS, STOP & TURN (RED) | 0302542 |
| 6. LENS, BACK-UP (CLEAR) | 0302543 |
| 7. SCREW, LENS | 0400025 |

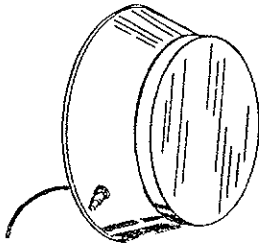
E



LICENSE PLATE ILLUMINATOR

- | | |
|-------------------------------|---------|
| 1. LICENSE PLATE ILLUM. (CPL) | 0300273 |
| 2. BULB, LICENSE PLATE ILLUM. | 0300512 |

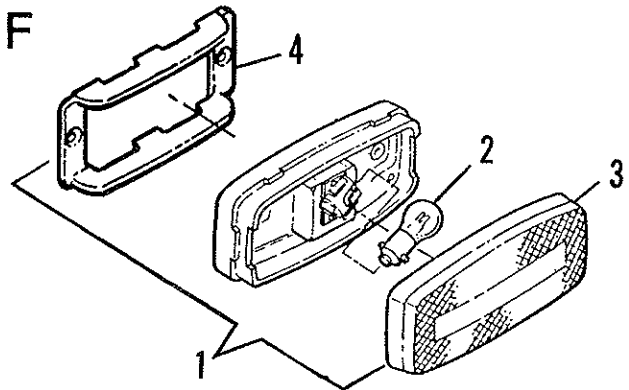
D



DOME LIGHT

- | | |
|---------------------|---------|
| 1. DOME LIGHT (CPL) | 0302544 |
|---------------------|---------|

F



MARKER LIGHT-AMBER

- | | |
|----------------------------------|---------|
| 1. LIGHT AMBER MARKER, COMPLETE | 0301887 |
| 2. BULB, MARKER LIGHT | 0300507 |
| 3. REFLECTIVE LENS, AMBER MARKER | 0304380 |
| 4. GUARD | 0300242 |

NOTES

CENTURY®

1-75 at Ooltewah Exit #11 • 8503 Hilltop Drive • Ooltewah, Tennessee 37363 • (615) 238-4171

Mailing Address: P.O. Box 120 • Ooltewah, Tennessee 37363 • Telex: 856967 CENWKRTN UD • FAX (615) 238-5371