



## OWNER'S MANUAL

6807 / T-50

### INSTALLATION, OPERATION, MAINTENANCE & PARTS

**NOTE: MANUAL including SPECIFICATIONS, subject to change without notice**  
All ratings specified are based on structural factors only,  
not vehicle capacities or capabilities.

**CHALLENGER®**

Miller Industries Towing Equipment Inc.  
8503 Hilltop Drive  
Ooltewah, Tennessee 37363

FORM NO. 0500757  
03 / 96

Phone (423) 238-4171 • FAX (423) 238-5371

PRICE \$25.00

## LIMITED WARRANTY

MILLER INDUSTRIES TOWING EQUIPMENT INC., hereinafter referred to as MILLER, warrants to the original purchaser that each new MILLER wrecker or other MILLER products will be free from defects in material and workmanship for a period of twelve (12) months from date placed in service, but in no event shall such warranty period exceed twenty-four (24) months from date of manufacture by MILLER. The purchaser must promptly notify MILLER in writing of any failure in material or workmanship. In no event shall MILLER accept such notification later than twenty-four (24) months from date of delivery or twelve (12) months from date placed in service, whichever is earlier.

MILLER's obligation under this warranty, statutory or otherwise, is limited to the repair or replacement at the MILLER factory, or at a point designated by MILLER, of such part or parts as shall appear upon inspection by MILLER to be defective in material or workmanship. New or remanufactured parts will be used for any replacement at MILLER's option. This warranty is not transferable. This warranty does not obligate MILLER to bear the cost of labor or transportation charges in connection with the repair or replacement of any parts found to be defective, nor shall it apply to a product upon which repairs or alterations have been made unless authorized by MILLER.

EXCEPT AS EXPRESSLY SET FORTH IN THIS WARRANTY, MILLER MAKES NO OTHER WARRANTY, EXPRESS OR IMPLIED, AND HEREBY DISCLAIMS ALL OTHER WARRANTIES INCLUDING, BUT NOT LIMITED TO, THE IMPLIED WARRANTIES OF MERCHANTABILITY AND FITNESS FOR A PARTICULAR PURPOSE. MILLER shall in no event be liable for claimed downtime, claimed loss of profits or goodwill, or any other special, incidental, indirect, or consequential damages concerning or relating to any product or parts, whether based on negligence, strict liability, breach of contract, breach of warranty, misrepresentation or any other legal theory, regardless of whether the loss resulted from any general or particular requirement which MILLER knew or had reason to know about at the time of sale.

MILLER MAKES NO WARRANTY, EXPRESS OR IMPLIED, AS TO THE FINISHED PRODUCTS MANUFACTURED OR SUPPLIED BY ANOTHER MANUFACTURER AND SUPPLIED BY MILLER TO PURCHASER, including, but not limited to, any vehicle to which a MILLER product may be affixed or any accessories or wire rope, and MILLER EXPRESSLY DISCLAIMS ANY IMPLIED WARRANTIES OF MERCHANTABILITY OR FITNESS FOR A PARTICULAR PURPOSE AS TO SUCH EQUIPMENT OR PRODUCTS. This language shall in no way affect or diminish the rights of the purchaser to rely on such warranties as are extended by such manufacturers or suppliers. MILLER shall, to the extent permitted under applicable law, pass on to the purchaser such manufacturer's or seller's warranty.

MILLER, whose policy is one of continuous improvement, reserves the right to improve its products through changes in design or materials as it may deem desirable without being obligated to incorporate such changes in products previously sold. This warranty is not intended to cover or include the following items, which are set forth by way of example and not limitation:

- A. Normal deterioration of trim, paint, lettering, and appearance items due to wear or exposure to weather, road conditions, road treatments, etc.
- B. Any damage or defect due to accident, misuse, abuse, improper or unauthorized repairs, failure to provide reasonable and necessary maintenance, or uses for which the equipment was not designed or intended.
- C. Alterations or modifications that affect performance, operation or reliability.
- D. Normal maintenance parts including, but not limited to, wear pads, bushings, wire rope, mud flaps, fenderettes, light bulbs, hydraulic oil, filters, and tow sling belts.

**IT IS EXPRESSLY UNDERSTOOD THAT MILLER MAKES NO IMPLIED WARRANTY THAT MILLER PRODUCTS SHALL BE FIT FOR THE PURPOSE OF LIFTING OR MOVING PEOPLE OR FOR ANY OTHER IMPROPER USE.**



Miller Industries Towing Equipment Inc.  
8503 Hilltop Drive  
Ooltewah, Tennessee 37363

Telephone (423) 238-4171

**SERIAL NUMBER**

## Section VI - PARTS

This Section is provided by the manufacturer for the purpose of ordering any component part of the **CHALLENGER 6807 WRECKER** and **T-50 Underlift** that may be required when part replacement is necessary. Be certain to use only original equipment replacement parts for warranty purposes as well as for keeping your **CHALLENGER 6807 WRECKER** and **T-50 Underlift** in its original state and optimum operating capacities. When ordering replacement or spare parts be sure to provide the following information to the manufacturer's **Parts Department**.

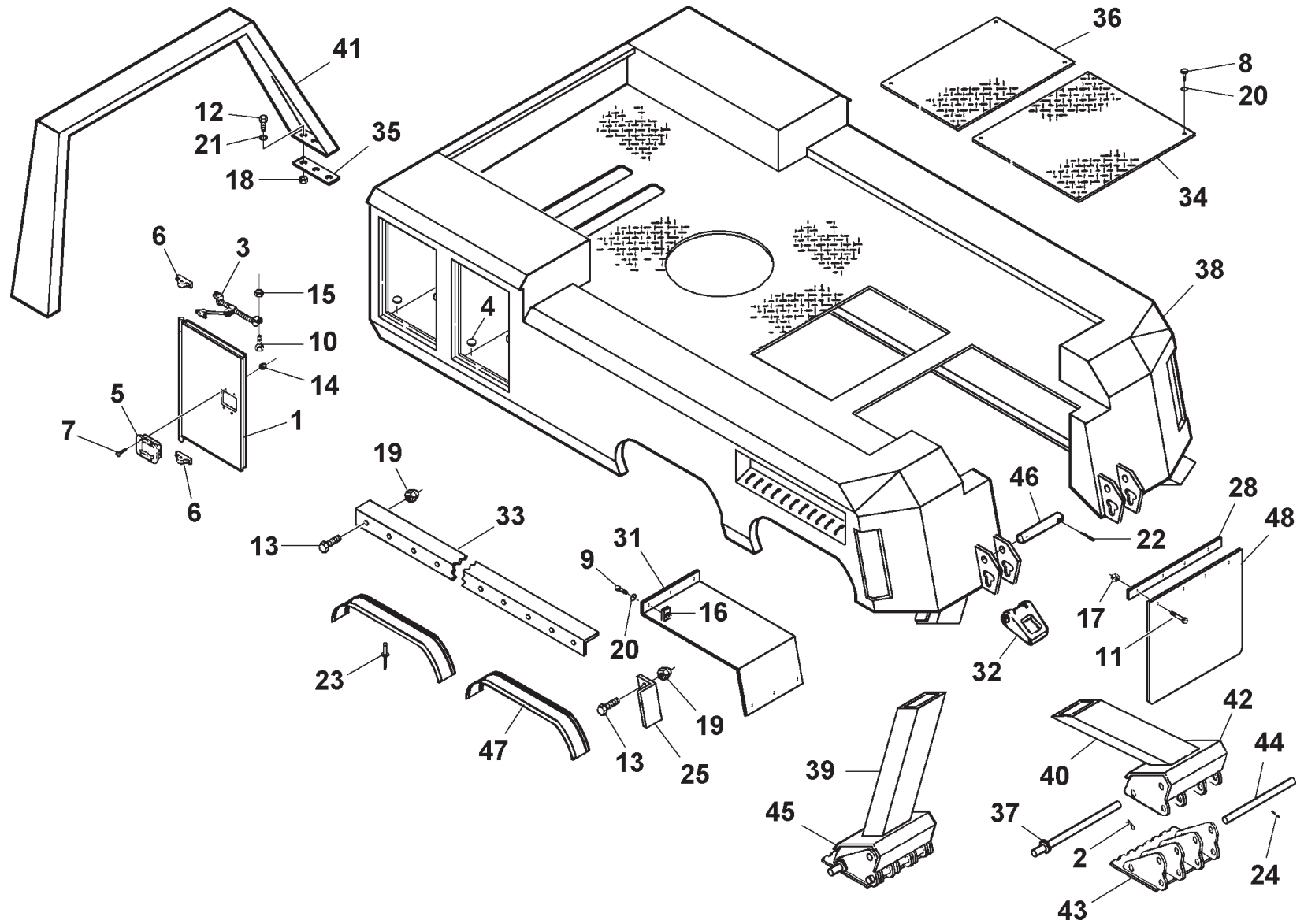
1. **Manual Number & Date of Publication**
2. **Manual Page Number**
3. **Page Title**
4. **Reference Number of Part Desired**
5. **Part Number**
6. **Part Description**
7. **Quantity of Part Desired**

Providing this information will help ensure that the correct parts will be delivered to you in an expedient manner without delay. Should additional information be required for repair or replacement of certain components, contact your Wrecker Manufacturer Authorized Representative.

The Manufacturer reserves the right, without notice or obligation, to improve or modify their products, which may change the specifications, models and feature availability.

## Section VI - PARTS (cont'd) BODY ASSEMBLY

# Section VI - PARTS (cont'd) BODY ASSEMBLY



## Section VI - PARTS (cont'd)

### BODY ASSEMBLY

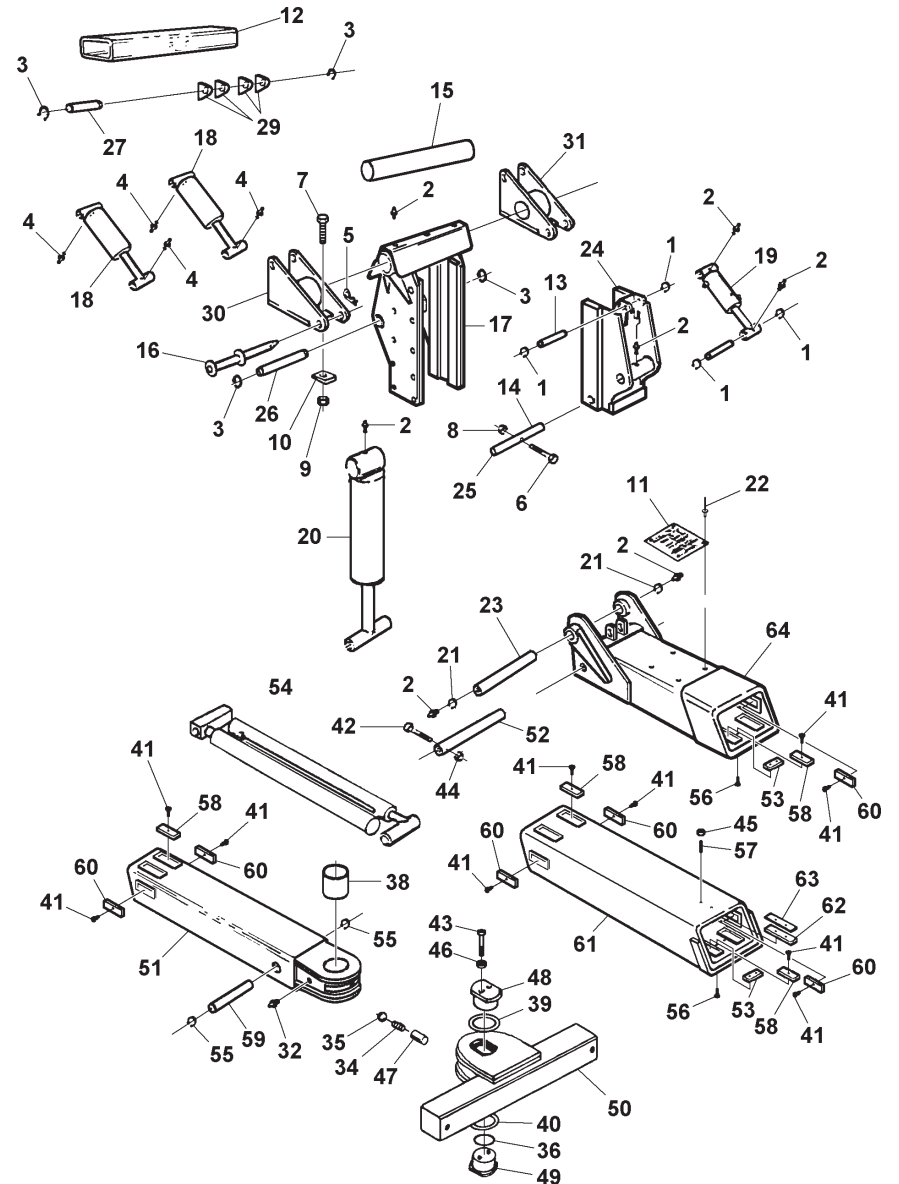
REF. NO.	NO. REQ'D	PART NUMBER	DESCRIPTION
1	26 FT.	0300844	CLOSED CELL SPONGE, 3/4" X 1/8"
2	2	0301861	QUICK PIN
3	4	0301912	HOLDBACK, DOOR CHECK
4	4	0302152	PLUG, 1/2"
5	4	0302855	LATCH, TOOL COMPARTMENT DOOR
6	8	0304264	HINGE, DOOR
7	16	0400021	SCREW, #8-32 RD HD PH
8	8	0400060	SCREW, 1/4"-20 X 1/2" HEX HD CAP
9	29	0400066	SCREW, 1/4"-20 X 3/4" HEX HD CAP
10	8	0400070	SCREW, 1/4"-20 X 1" HEX HD CAP
11	8	0400122	SCREW, 3/8"-16 X 1-1/4" HEX HD CAP
12	6	0400211	SCREW, 1/2"-13 X 1-3/4" HEX HD CAP
13	56	0400303	SCREW, 7/8"-9 X 2-1/2" HEX HD CAP
14	16	0400351	HEX NUT & STAR WASHER, #8-32
15	8	0400367	NUT, 1/4"-20 HEX NYLOK
16	12	0400369	CLIP, 1/4" "J" TYPE TINNERMAN
17	8	0400392	NUT, 3/8"-16 HEX NYLOK
18	6	0400408	NUT, 1/2"-13 HEX NYLOK
19	56	0400436	NUT, 7/8"-9 HEX NYLOK
20	37	0400452	LOCKWASHER, 1/4"
21	6	0400492	WASHER, 1/2" FLAT
22	2	0400564	ROLL PIN, 3/8" X 1-3/4"
23	44	0400566	RIVET, 1/4" STAINLESS STEEL
24	2	0400577	ROLL PIN, 5/32" X 2-1/2"
25	2	0701150	ANGLE, TAILGATE SUPPORT
26	1	0705090	ANGLE, MUDGUARD MOUNTING, LT *
27	1	0705091	ANGLE, MUDGUARD MOUNTING, RT *

REF. NO.	NO. REQ'D	PART NUMBER	DESCRIPTION
28	2	0705092	BAR, MUDFLAP
29	2	0707674	ANGLE, UPPER MOUNTING *
30	2	0707675	ANGLE, LOWER MOUNTING
31	2	0707676	*COVER, MUDGUARD
32	2	0708452	"D" RING, TOWING
33	2	0708471	ANGLE, BODY MOUNTING
34	1	0709266	PLATE, DECK COVER, UNDERLIFT
35	2	0711072	MOUNTING RUBBER, LIGHT PYLON
36	1	0711156	PLATE, DECK COVER, VALVE
37	2	0802313	PIN, MULTI-POSITION SPADE
38	1	0802337	6807 BODY WELDMENT, 175" C.B. WITH UNDERLIFT
	1	0802338	6807 BODY WELDMENT, 175" C.B. WITHOUT UNDERLIFT
39	1	0803048	SPADE WELDMENT, LEFT
40	1	0803049	SPADE WELDMENT, RIGHT
41	1	0803118	MAGNUM LIGHT WELDMENT, 38" X 80" WIDE
	1	0803127	MAGNUM LIGHT WELDMENT, 42" X 80" WIDE
	1	0803128	MAGNUM LIGHT WELDMENT, 35" X 80" WIDE
	1	0803131	MAGNUM LIGHT WELDMENT, 36" X 80" WIDE
42	2	EA0216	UPPER SPADE WELDMENT
43	2	EA0217	LOWER SPADE WELDMENT
44	2	EA0220	PIN, PIVOT
45	2	EA0221	SPADE FOOT, MULTI-POSITION (COMPLETE)
46	2	GA0215	PIN, "D" RING
47	4	VA0397	FENDER, FIBERGLASS
48	2	VA0588	MUDFLAP, CHALLENGER

\* NOT SHOWN

# Section VI - PARTS (cont'd)

## T-50 UNDERLIFT ASSEMBLY



## Section VI - PARTS (cont'd)

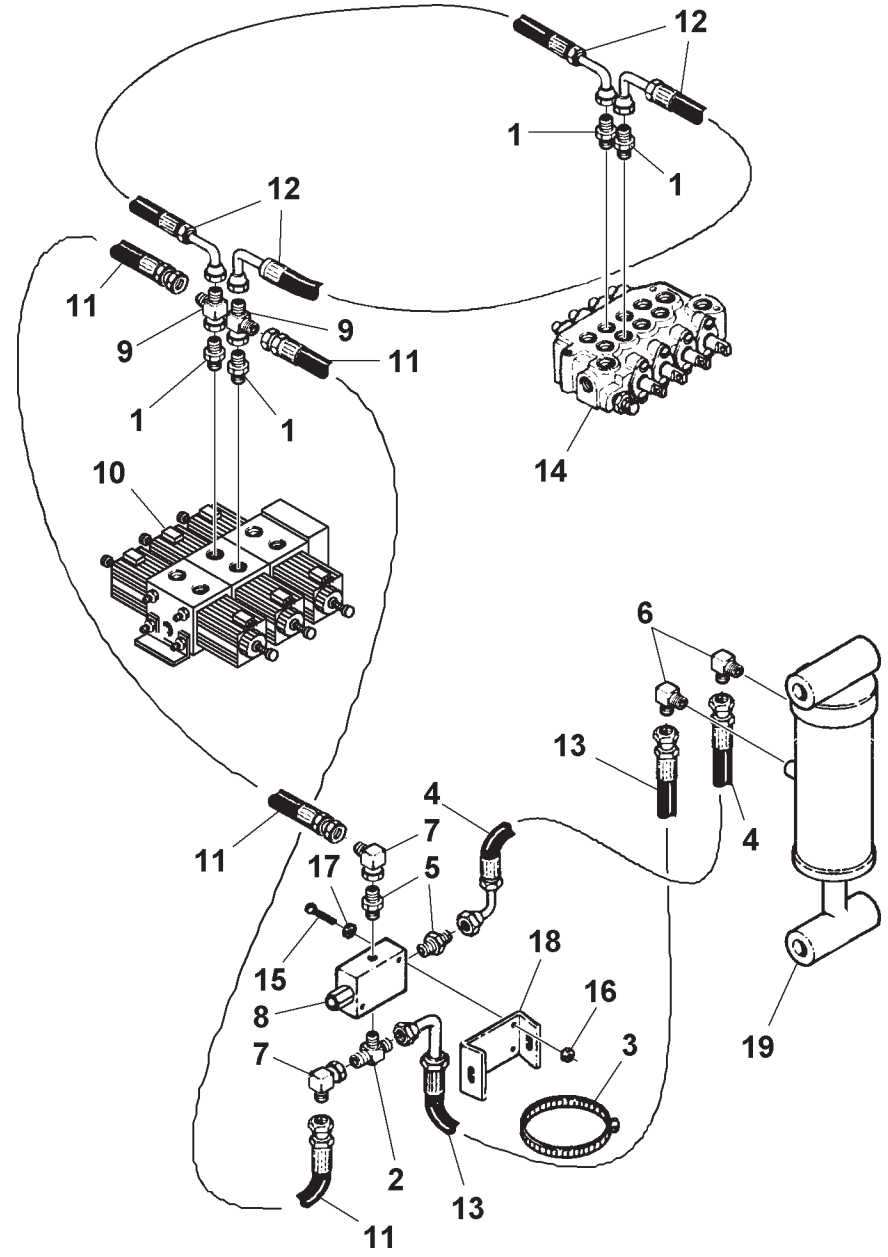
### T-50 UNDERLIFT ASSEMBLY

REF. NO.	NO. REQ'D	PART NUMBER	DESCRIPTION
1	4	0300110	SNAP RING, 1"
2	7	0300113	GREASE FITTING
3	4	0300329	SNAP RING, 2" EXTERNAL
4	4	0301895	GREASE FITTING, STR 1/8
5	2	0302474	PIN, LYNCH
6	1	0400219	SCREW, 1/2"-13 X 4-1/2" HEX HD CAP
7	8	0400336	SCREW, 1"-8 X 3" HEX HD CAP
8	1	0400408	NUT, 1/2"-13 NYLOK HEX
9	8	0400443	NUT, 1"-8 NYLOK HEX
10	8	0400528	BEVEL WASHER, 1" SQ
11	1	0500611	T-50 SERIAL & DATA PLATE
12	1	0707631	TUBE, TILT CYLINDER
13	1	0708283	PIN, FOLD CYLINDER, BASE END
14	1	0708386	PIN, FOLD CYLINDER, ROD END
15	1	0709242	PIN, MAIN PIVOT
16	2	0802498	PIN, TOW BAR WELDMENT
17	1	0802759	T-50 OUTER MAST WELDMENT
18	REF.	HC0100	TILT CYLINDER
19	REF.	HC0104	FOLD CYLINDER
20	REF.	HC0159	LIFT CYLINDER
21	2	HD0152	SNAP RING, 3" INTERNAL
22	4	HD0868	RIVET, 1/8" X 5/8" BLIND ALUMINUM
23	1	KA0154	PIN, STINGER MAST
24	1	UK0107	T-50 INNER MAST WELDMENT
25	1	UK0124	PIN, LIFT CYLINDER, ROD END
26	1	UK0125	PIN, TILT CYLINDER, ROD END
27	1	UK0126	PIN, TILT CYLINDER, BASE END
28	2	UK0139	T-50 STOP BAR (NOT SHOWN)
29	4	UJ0165	TILT CYLINDER MOUNT
30	1	0803527	FRAME ATTACH PIVOT HUB WELDMENT, LT
31	1	0803528	FRAME ATTACH PIVOT HUB WELDMENT, RT

REF. NO.	NO. REQ'D	PART NUMBER	DESCRIPTION
--	--	0903313	STINGER ASSEMBLY (COMPLETE)
32	5	0300113	GREASE FITTING
33	1	0301197	SPRING, DETENT
34	1	0301398	BALL, DETENT
35	1	0301822	©O <sup>a</sup> RING, PIVOT PIN
36	2	0301895	GREASE FITTING, STR 1/8
37	1	0303088	BUSHING, PIVOT PIN
38	1	0303097	THRUST WASHER, 1/8"
39	1	0303098	THRUST WASHER, 1/16"
40	20	0400039	SCREW, #10-32 X 3/4" FL HD PHIL SELF TAP
41	2	0400133	SCREW, 3/8"-16 X 3" HEX HD CAP
42	2	0400271	SCREW, 5/8"-11 X 4-1/2" SKT HD CAP
43	2	0400392	NUT, 3/8"-16 NYLOK HEX
44	2	0400410	NUT, 1/2"-13 HEX JAM
45	2	0400508	LOCKWASHER, 5/8" HELICAL
46	1	0708470	SPACER, DETENT SPRING
47	1	0710051	PIVOT PIN, TOP HALF
48	1	0710052	PIVOT PIN, BOTTOM HALF
49	1	0802914	CROSS BAR WELDMENT
50	1	0803000	INNER STINGER WELDMENT
51	1	DR0129	PIN, EXTEND CYLINDER, BASE END
52	2	DR0144	BAR STOP
53	REF.	HC0150	EXTEND CYLINDER
54	2	HD0151	SNAP RING, 2" INTERNAL
55	4	HD0270	SCREW, 3/4"-10 X 1" HEX HD CAP
56	2	HD0438	SCREW, 1/2"-13 X 1" SKT HD SET
57	8	KA0128	WEAR PAD, 1/2" X 2" X 6"
58	1	KA0169	PIN, EXTEND CYLINDER, ROD END
59	12	KA0175	WEAR PAD, 1/2" X 1" X 6"
60	1	KA0370	MIDDLE STINGER WELDMENT
61	1	KA0371	WEAR PAD, 3/8" X 1-7/8" X 8"
62	1	KA0372	SHIM, WEAR PAD
63	1	UK0117	OUTER STINGER WELDMENT

# Section VI - PARTS (cont'd)

## T-50 UNDERLIFT LIFT HYDRAULICS





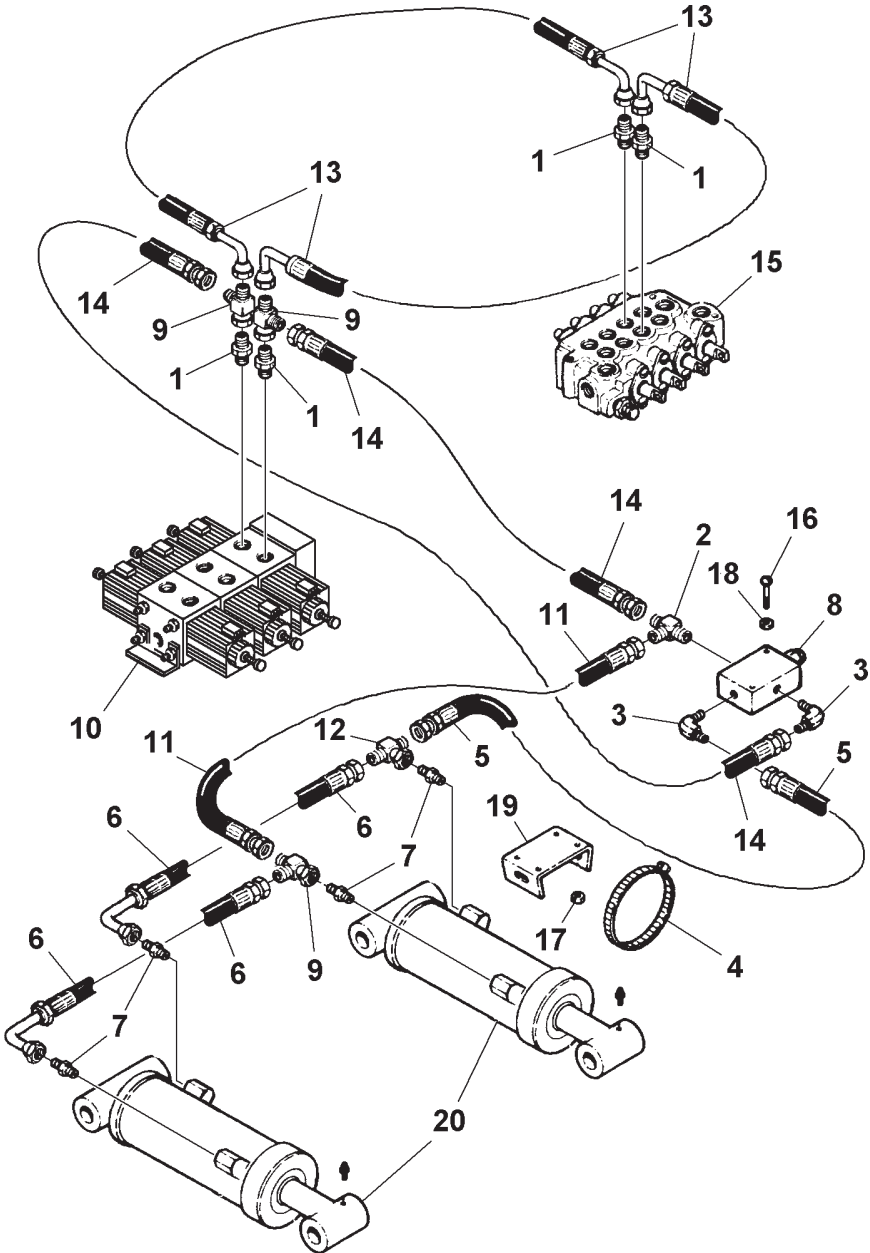
## Section VI - PARTS (cont'd)

### T-50 UNDERLIFT LIFT HYDRAULICS

REF. NO.	NO. REQ'D	PART NUMBER	DESCRIPTION
1	4	0300044	CONNECTOR, 6MJ-8MB
2	1	0300206	BRANCH TEE, 6MJ-6MJ-4MP
3	1	0300644	CLAMP, CHECK VALVE RETAINING, 8"
4	1	0301411	HOSE ASSEMBLY, 8-1/4"
5	2	0301425	CONNECTOR, 6MJ-6MP
6	2	0301620	ELBOW, 6MJ-6MB90
7	2	0301696	ELBOW, 6MJ-6FJX90
8	1	0301731	HOLDING VALVE
9	2	0301781	TEE, SWIVEL NUT RUN
10	REF.	0301883	SOLENOID VALVE, 3-SPOOL
11	2	0301964	HOSE ASSEMBLY, 65"
12	2	0302808	HOSE ASSEMBLY, 18"
13	1	0302882	HOSE ASSEMBLY, 6-1/2"
14	REF.	0303093	CONTROL VALVE, 4-SPOOL
15	2	0400078	SCREW, 1/4"-20 X 2" HEX HD CAP
16	2	0400367	NUT, 1/4"-20 NYLOK HEX
17	2	0400451	WASHER, 1/4" FLAT
18	1	0700238	BRACKET, CHECK VALVE MOUNTING
19	REF.	HC0159	LIFT CYLINDER

# Section VI - PARTS (cont'd)

## T-50 UNDERLIFT TILT HYDRAULICS



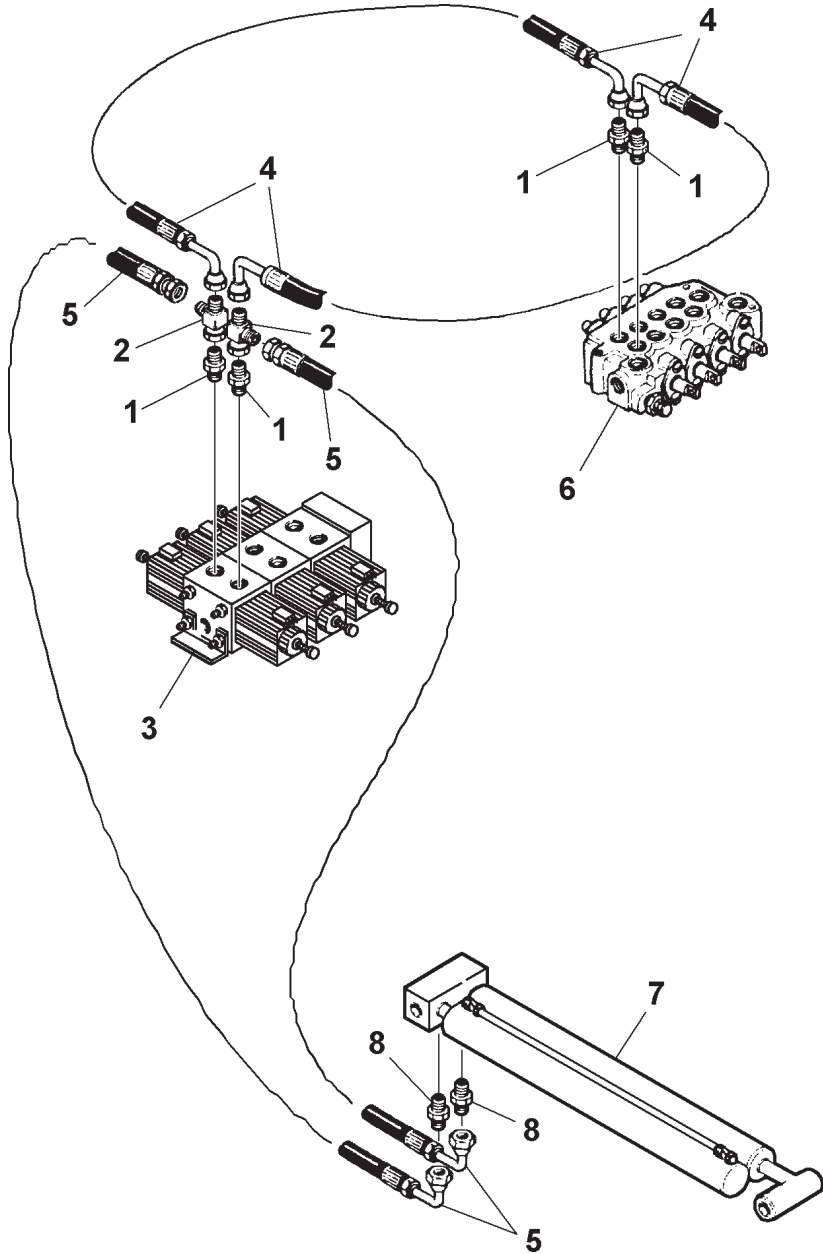
## Section VI - PARTS (cont'd)

### T-50 UNDERLIFT TILT HYDRAULICS

REF. NO.	NO. REQ'D	PART NUMBER	DESCRIPTION
1	4	0300044	CONNECTOR, 6MJ-8MB
2	1	0300206	BRANCH TEE, 6MJ-6MJ-4MP
3	2	0300209	ELBOW, 6MJ-6MP90
4	1	0300365	CLAMP, CHECK VALVE RETAINING, 7"
5	1	0301411	HOSE ASSEMBLY, 8-1/4"
6	2	0301412	HOSE ASSEMBLY, 10-3/4"
7	4	0301522	CONNECTOR, 6MJ-6MB
8	1	0301731	HOLDING VALVE
9	3	0301781	TEE, SWIVEL NUT RUN
10	REF.	0301883	SOLENOID VALVE, 3-SPOOL
11	1	0302035	HOSE ASSEMBLY, 18"
12	1	0302573	TEE, 6MJ-6MJ-6FJX
13	2	0302808	HOSE ASSEMBLY, 18"
14	2	0302812	HOSE ASSEMBLY, 78"
15	REF.	0303093	CONTROL VALVE, 4-SPOOL
16	2	0400078	SCREW, 1/4"-20 X 2" HEX HD CAP
17	2	0400367	NUT, 1/4"-20 NYLOK HEX
18	2	0400451	WASHER, 1/4" FLAT
19	1	0700238	BRACKET, CHECK VALVE MOUNTING
20	2	HC0100	TILT CYLINDER

# Section VI - PARTS (cont'd)

## T-50 UNDERLIFT EXTEND HYDRAULICS



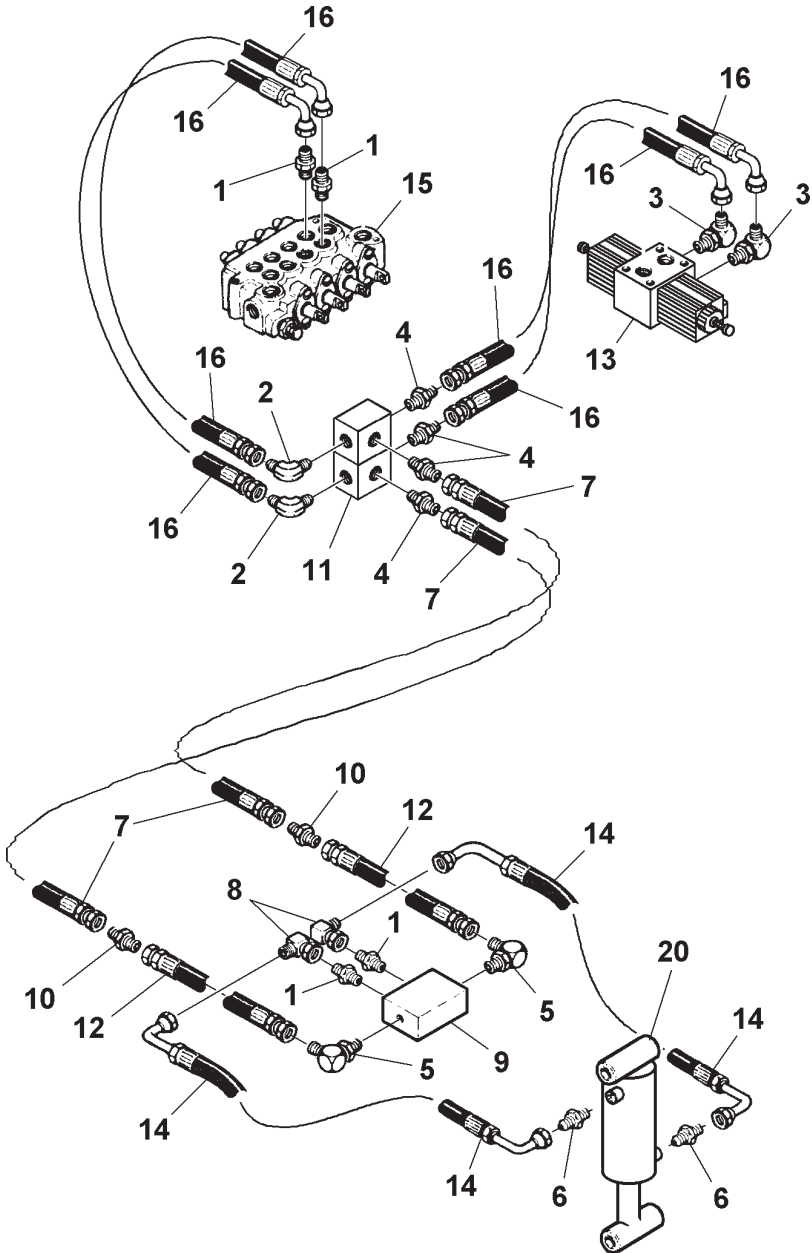
## Section VI - PARTS (cont'd)

### T-50 UNDERLIFT EXTEND HYDRAULICS

REF. NO.	NO. REQ'D	PART NUMBER	DESCRIPTION
1	4	0300044	CONNECTOR, 6MJ-8MB
2	2	0301781	TEE, SWIVEL NUT RUN
3	REF.	0301883	SOLENOID VALVE, 3-SPOOL
4	2	0302808	HOSE ASSEMBLY, 18"
5	2	0302812	HOSE ASSEMBLY, 78"
6	REF.	0303093	CONTROL VALVE, 4-SPOOL
7	REF.	HC0150	EXTEND CYLINDER
8	2	HC1291	CONNECTOR, 4MJ-4MB STR THRD

# Section VI - PARTS (cont'd)

## T-50 UNDERLIFT FOLD HYDRAULICS



## Section VI - PARTS (cont'd)

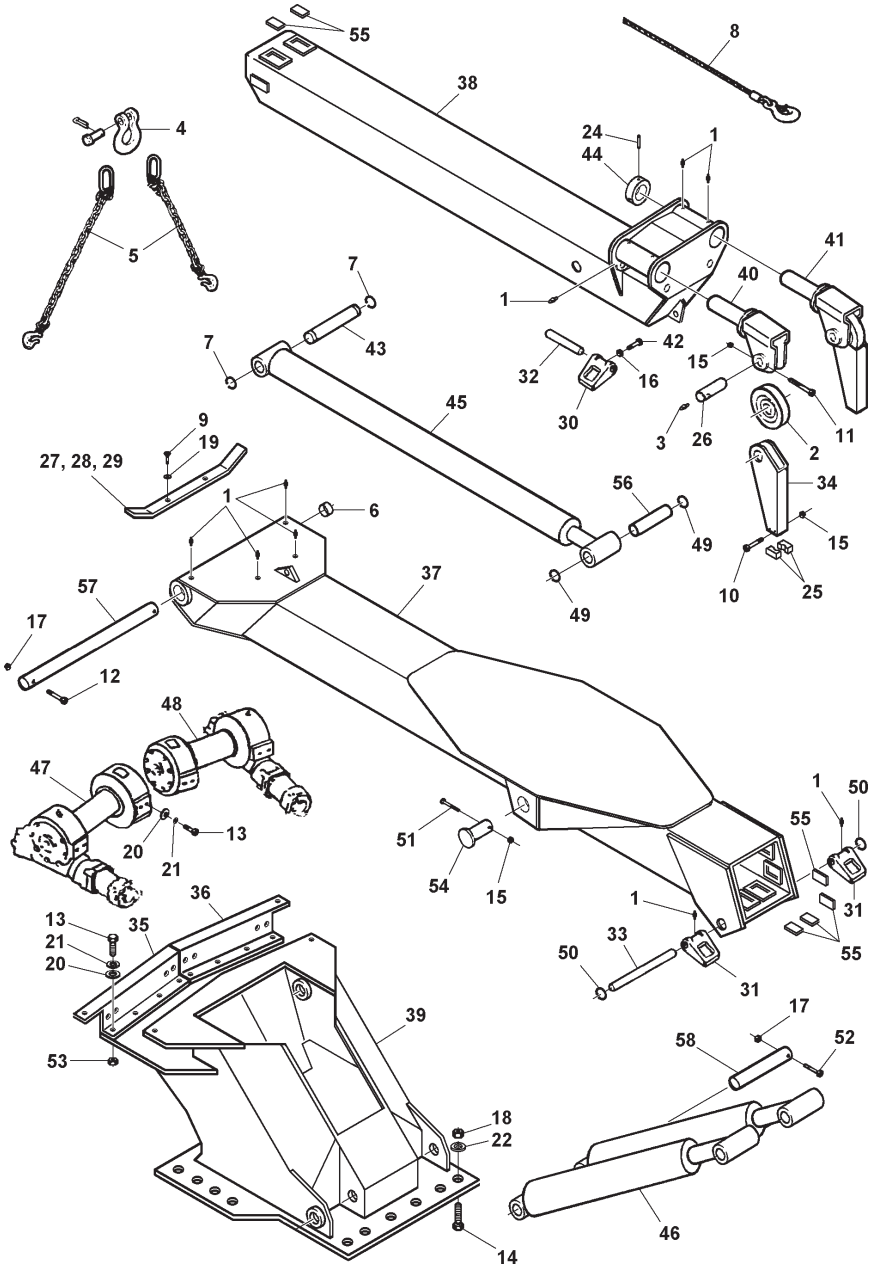
### T-50 UNDERLIFT FOLD HYDRAULICS

REF. NO.	NO. REQ'D	PART NUMBER	DESCRIPTION
1	4	0300044	CONNECTOR, 6MJ-8MB
2	2	0300142	CONNECTOR, 6MJ-4MP
3	2	0301388	ELBOW, 8MJ-8MB90
4	4	0301424	CONNECTOR, 6MJ-4MP
5	2	0301470	ELBOW, 6MJ-8MB90
6	2	0301522	CONNECTOR, 6MJ-6MB
7	2	0301664	HOSE ASSEMBLY, 64"
8	4	0301696	ELBOW, 6MJ-6FJX90
9	1	0301730	DOUBLE HOLDING VALVE
10	2	0301837	INLINE ORIFICE
11	2	0302226	SHUTTLE VALVE
12	2	0302777	HOSE ASSEMBLY, 9-1/2"
13	1	0302849	SOLENOID VALVE
14	2	0302881	HOSE ASSEMBLY, 45"
15	1	0303093	CONTROL VALVE, 4-SPOOL
16	4	0303271	HOSE ASSEMBLY, 21"
17	2	0400078	SCREW, 1/4"-20 X 2" HEX HD CAP *
18	2	0400367	NUT, 1/4"-20 NYLOK HEX *
19	2	0400451	WASHER, 1/4" FLAT *
20	1	HC0104	FOLD CYLINDER

\* NOT SHOWN

# Section VI - PARTS (cont'd)

## 6807 WRECKER ASSEMBLY





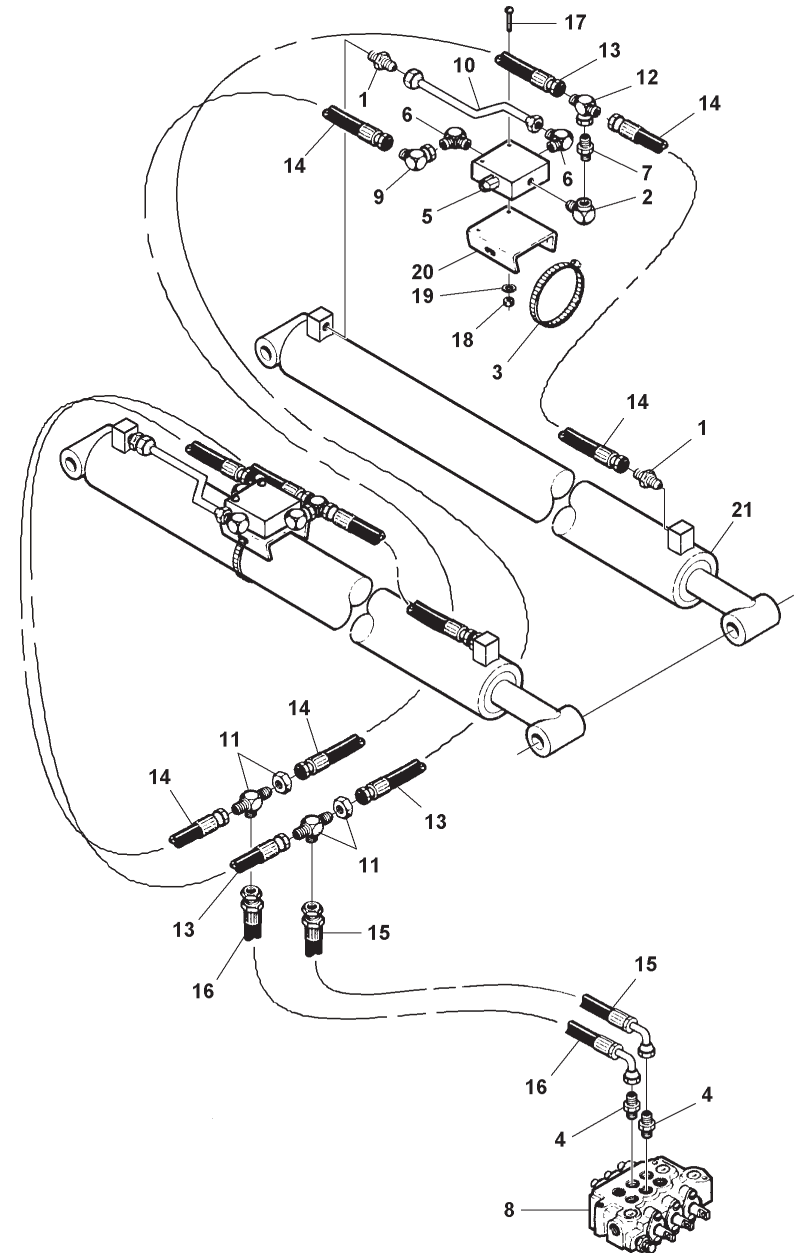
**Section VI - PARTS (cont'd)**  
**6807 WRECKER ASSEMBLY**

REF. NO.	NO. REQ'D	PART NUMBER	DESCRIPTION
1	20	0300113	GREASE FITTING
2	2	0300311	SHEAVE, 10"
3	2	0301895	GREASE FITTING, STR 1/8"
4	1	0302060	SHACKLE, ANCHOR 1-1/2"
5	2	0302061	CHAIN ASSEMBLY, 5/8" ALLOY
6	2	0302538	BUSHING, 3-1/2" O.D. X 3" I.D. X 2-1/2"
7	2	0302776	SNAP RING, 2" EXTERNAL
8	2	0302880	CABLE, 5/8" X 200' 6x25 IWRC
9	8	0400121	SCREW, 3/8"-16 X 3/4" HEX HD CAP
10	4	0400133	SCREW, 3/8"-16 X 3" HEX HD CAP
11	2	0400140	SCREW, 3/8"-16 X 4" HEX HD CAP
12	4	0400255	SCREW, 5/8"-11 X 5-1/2" HEX HD CAP
13	24	0400303	SCREW, 7/8"-9 X 2-1/2" HEX HD CAP
14	20	0400355	SCREW, 1"-8 X 4" HEX HD CAP
15	8	0400392	NUT, 3/8"-16 NYLOK HEX
16	2	0400398	NUT, 3/8"-16 NYLOK HALF
17	4	0400421	NUT, 5/8"-11 NYLOK HEX
18	20	0400443	NUT, 1"-8 NYLOK HEX
19	8	0400482	LOCKWASHER, 3/8" HELICAL
20	16	0400513	WASHER, 7/8" FLAT
21	16	0400515	LOCKWASHER, 7/8" HELICAL
22	18	0400518	WASHER, 1" FLAT
23	2	0400528	BEVEL WASHER, 1" SQ (NOT SHOWN)
24	8	0400554	ROLL PIN, 3/8" X 1"
25	4	0700511	BOTTOM CABLE GUIDE
26	2	0700563	SHAFT, SHEAVE
27	1	0705103	WINCH CABLE SUPPORT PLATE
28	1	0706042	CABLE SUPPORT WING, LONG
29	2	0706043	CABLE SUPPORT WING, MEDIUM

REF. NO.	NO. REQ'D	PART NUMBER	DESCRIPTION
30	2	0708452	"D"-RING TOWING
31	2	0708555	"D"-RING TOWING
32	2	0708561	PIN, "D"-RING
33	1	0708605	PIN, "D"-RING
34	2	0802027	CABLE GUIDE WELDMENT
35	1	0802518	WINCH SUPPORT, LEFT FRONT
36	1	0802519	WINCH SUPPORT, RIGHT FRONT
37	1	0802536	OUTER BOOM WELDMENT
38	1	0802538	INNER BOOM WELDMENT
39	1	0802554	WRECKER FRAME 6807
40	1	0803316	BOOM END SWIVEL, LEFT
41	1	0803317	BOOM END SWIVEL, RIGHT
42	2	DE455	SCREW, 3/8"-16 X 2-3/4" HEX HD CAP
43	1	DR0237	PIN, EXTEND CYLINDER, BASE END
44	2	FA2003	SWIVEL HOOK HOLDER WELDMENT
45	REF.	HC0163	CYLINDER, EXTEND
46	REF.	HC0169	CYLINDER, LIFT
47	REF.	HC0587	H930 WINCH, LEFT
48	REF.	HC0588	H930 WINCH, RIGHT
49	1	HD0151	SNAP RING, 2" INTERNAL
50	2	HD0167	SNAP RING, 1-3/8" EXTERNAL
51	2	HD0243	SCREW, 3/8"-16 X 3-1/2" HEX HD CAP
52	2	HD0252	SCREW, 5/8"-11 X 5" HEX HD CAP
53	8	HD0548	NUT, 7/8"-9 UNC HEX
54	2	WJ0113	PIN, LIFT CYLINDER, ROD END
55	8	WJ0125	PAD, WEAR
56	1	WJ0137	PIN, EXTEND, CYLINDER, ROD END
57	1	WK0258	PIN, BOOM PIVOT
58	2	WK0259	PIN, LIFT CYLINDER, BASE END

# Section VI - PARTS (cont'd)

## BOOM ELEVATION HYDRAULICS



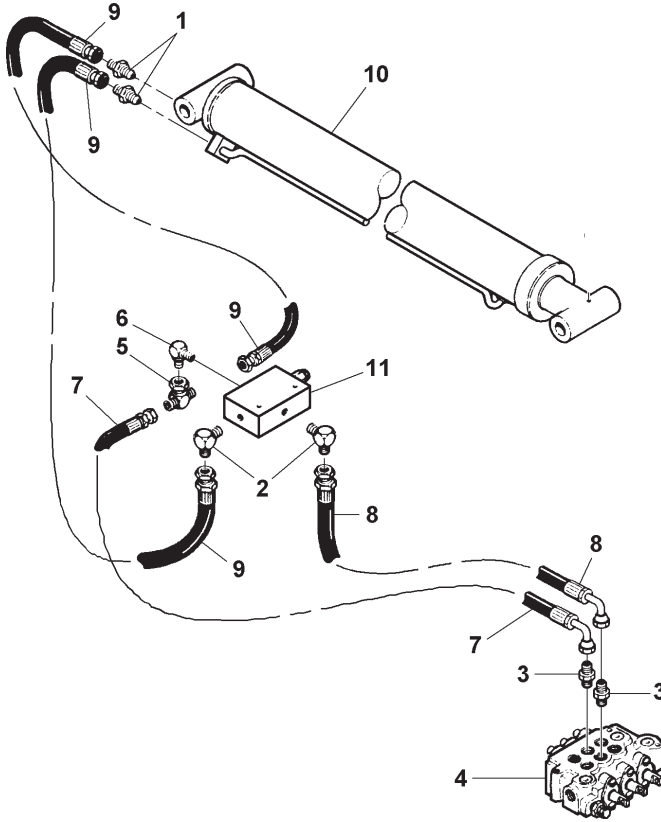
## Section VI - PARTS (cont'd)

### BOOM ELEVATION HYDRAULICS

REF. NO.	NO. REQ'D	PART NUMBER	DESCRIPTION
1	4	0300041	CONNECTOR, 8MJ-8MB
2	2	0300147	STREET ELBOW, 4MP-4FP90
3	2	0300365	CLAMP, CHECK VAVLE RETAINING, 7"
4	2	0301376	CONNECTOR, 8MJ-10MB
5	2	0301731	HOLDING VALVE
6	4	0302051	ELBOW, 8MJ-6MP90
7	2	0302053	STRAIGHT REDUCER, 8MJ-4MP
8	REF.	0302081	CONTROL VALVE, 3-SPOOL
9	2	0302488	ELBOW, 8MJ-8FJX90
10	2	0302568	TUBING, HYDRAULIC
11	2	0302574	BULKHEAD RUN TEE
12	2	0302796	TEE, 8MJ-8MJ-8FJX
13	2	0302803	HOSE ASSEMBLY, 54"
14	4	0302955	HOSE ASSEMBLY, 48-1/4"
15	1	0303040	HOSE ASSEMBLY, 115"
16	1	0303041	HOSE ASSEMBLY, 115"
17	4	0400078	SCREW, 1/4"-20 X 2" RD HD SLOTTED
18	2	0400367	NUT, 1/4"-20 HEX
19	4	0400451	WASHER, 1/4" FLAT
20	1	0703001	BRACKET, CHECK VALVE MOUNTING
21	2	HC0169	LIFT CYLINDER

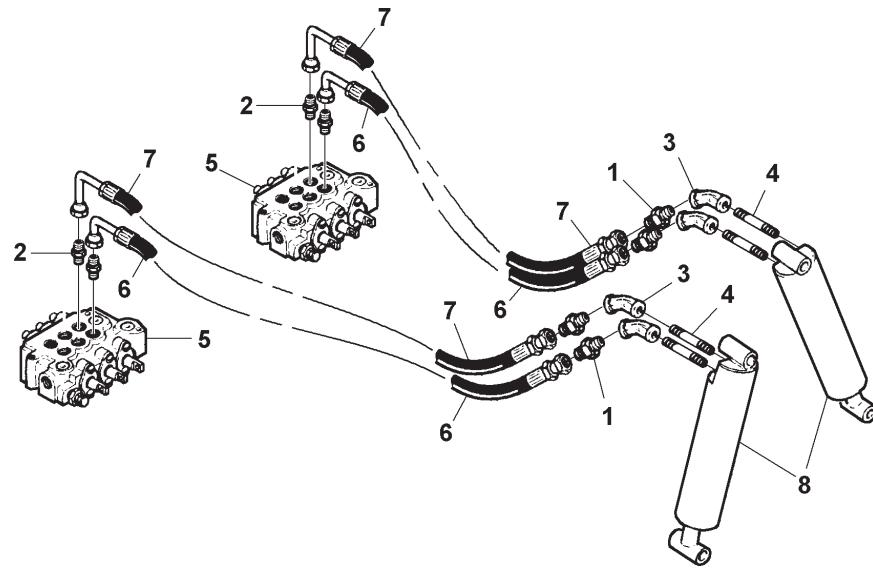
# Section VI - PARTS (cont'd)

## BOOM EXTENSION HYDRAULICS



REF. NO.	NO. REQ'D	PART NUMBER	DESCRIPTION
1	4	0300041	CONNECTOR, 8MJ-8MB
2	2	0300147	STREET ELBOW, 4MP-4FP90
3	2	0300365	CLAMP, CHECK VAVLE RETAINING, 7"
4	2	0301376	CONNECTOR, 8MJ-10MB
5	2	0301731	HOLDING VALVE
6	4	0302051	ELBOW, 8MJ-6MP90
7	2	0302053	STRAIGHT REDUCER, 8MJ-4MP
8	REF.	0302081	CONTROL VALVE, 3-SPOOL
9	2	0302488	ELBOW, 8MJ-8FJX90
10	2	0302568	TUBING, HYDRAULIC
11	2	0302574	BULKHEAD RUN TEE

## Section VI - PARTS (cont'd) REAR SPADE HYDRAULICS

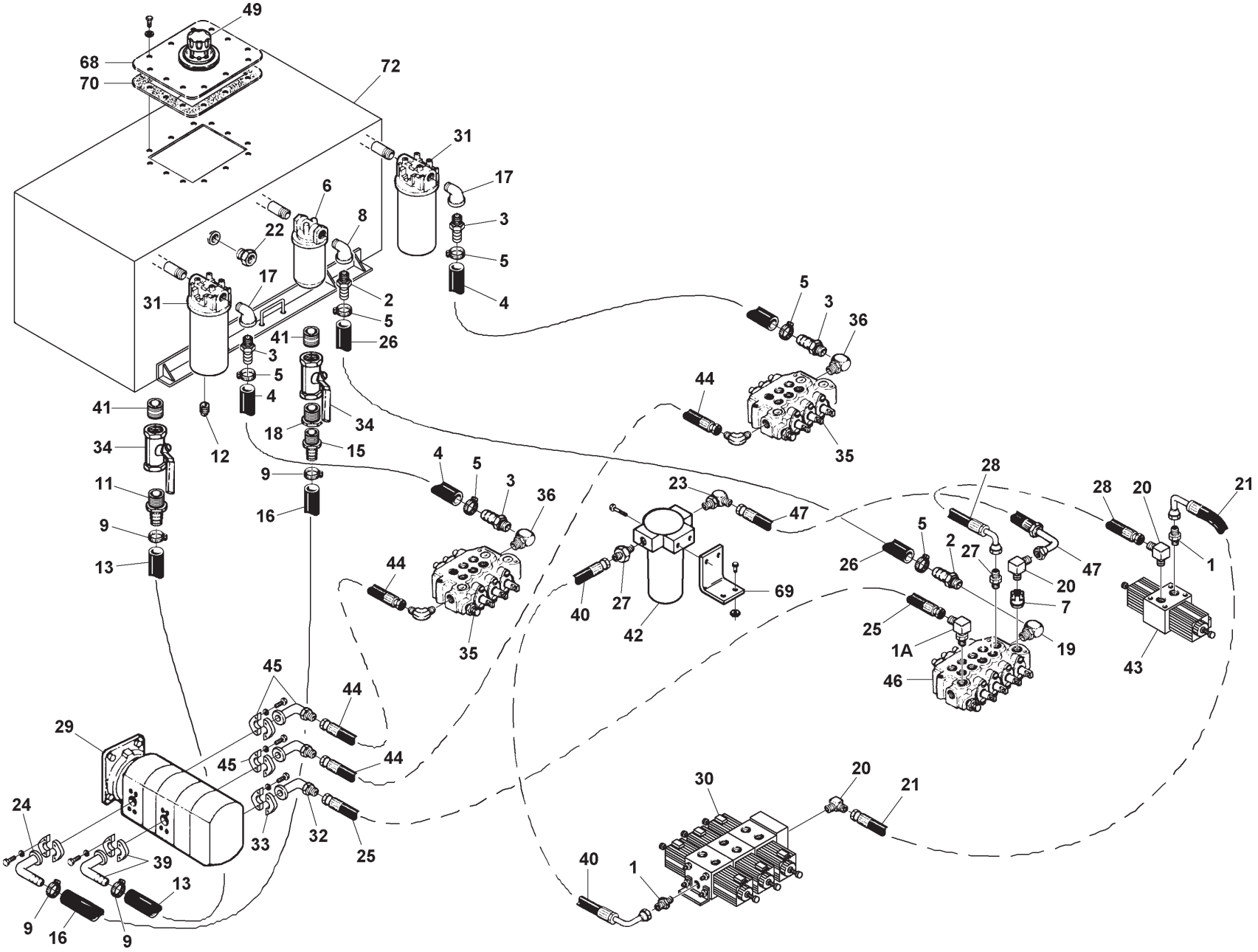


## Section VI - PARTS (cont'd) PUMP & FILTER HYDRAULICS

REF. NO.	NO. REQ'D	PART NUMBER	DESCRIPTION
1	4	0300040	CONNECTOR, 8MJ-8MP
2	4	0300041	CONNECTOR, 8MJ-8MB
3	4	0301816	FITTING, 8FP-8FP45
4	4	0302032	NIPPLE, BLACK PIPE
5	REF.	0302081	CONTROL VALVE, 3-SPOOL
6	2	0302786	HOSE ASSEMBLY, 85"
7	2	0302787	HOSE ASSEMBLY, 85"
8	REF.	HC0124	CYLINDER, REAR SPADE

# Section VI - PARTS (cont'd)

## PUMP & FILTER HYDRAULICS



## Section VI - PARTS (cont'd)

### PUMP & FILTER HYDRAULICS

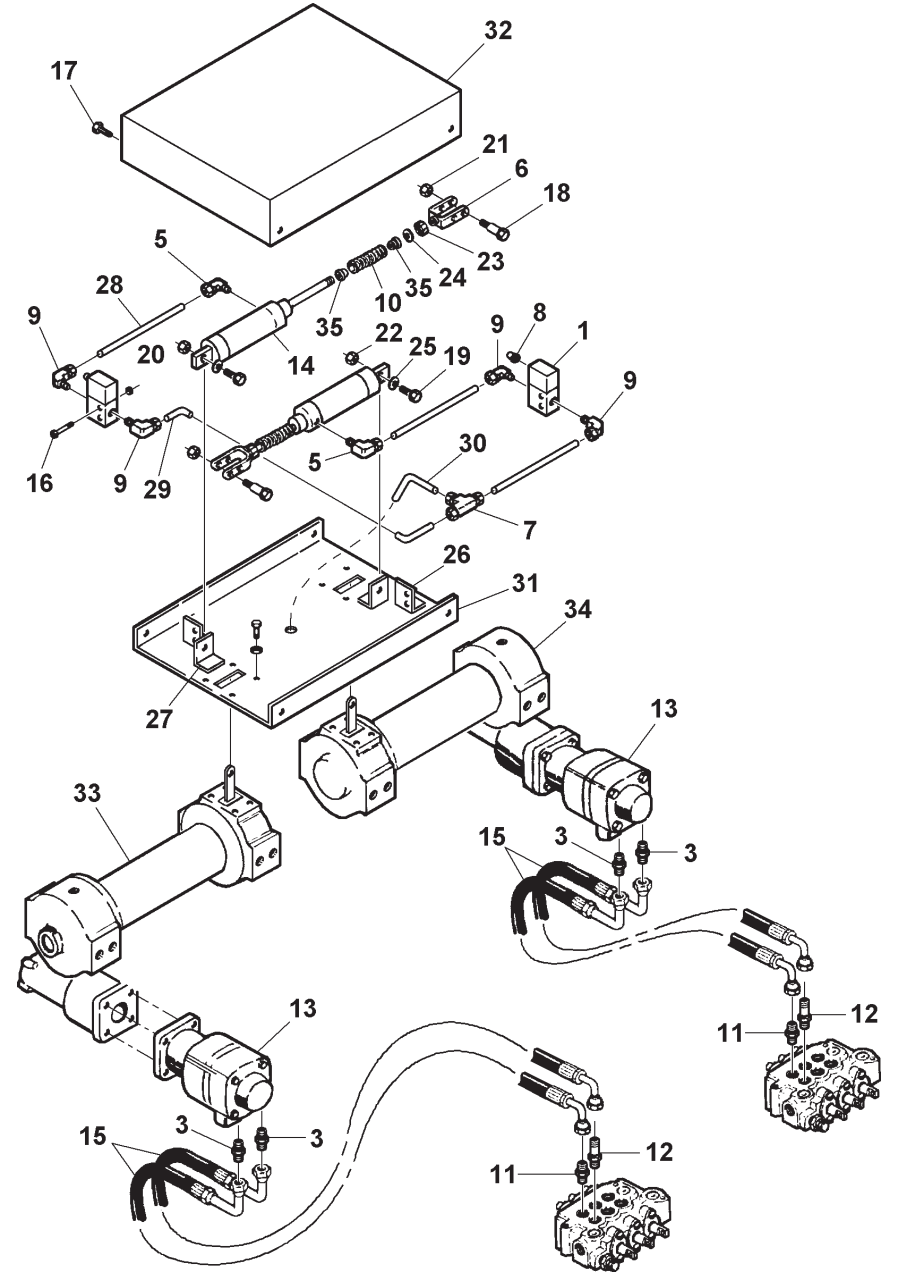
REF. NO.	NO. REQ'D	PART NUMBER	DESCRIPTION
1	2	0300041	CONNECTOR, 8MJ-8MB
1A	1	0300052	ELBOW, 8MJ-10MB90
2	2	0300055	HOSEBARB, 12C4-12MP
3	4	0300056	BARB, 16C4-16MP
4	12 FT.	0300058	HOSE, 1" SUCTION 16C4
5	6	0300071	CLAMP, HOSE 1"
6	1	0300136	RETURN LINE FILTER ASSEMBLY
7	1	0300286	FITTING, H.P. CARRY OVER
8	1	0300288	ELBOW, 3/4" STREET 90°
9	4	0300364	CLAMP, HOSE 1" - 2-1/4"
10	2	0300387	PLUG, 1/2" SAE "O" RING *
11	1	0300434	HOSEBARB, 32C4-32MP
12	1	0300446	PIPE PLUG, 3/4" NPT MALE
13	27 FT.	0300558	HOSE, 2" SUCTION
14	2	0300593	ELL, 2" STREET 90° (INSIDE RESERVOIR) *
15	1	0300666	BARB, 24C4-24MP
16	27 FT.	0300671	HOSE, 1-1/2" SUCTION
17	2	0300692	ELBOW, 1" STREET 90°
18	1	0301373	PIPE BUSHING, 2" NPT TO 1-1/2" NPT
19	1	0301375	ELBOW, 12MB-12FP90
20	3	0301388	ELBOW, 8MJ-10MB90
21	1	0301471	HOSE ASSEMBLY, 30"
22	1	0301541	SIGHT GAUGE
23	1	0301547	ELBOW, 8MJ-12MB90
24	1	0301637	ELBOW, FLANGE 32-32FL90 W/ KIT
25	1	0301659	HOSE ASSEMBLY, 150"
26	12 FT.	0301674	HOSE, 3/4" RETURN
27	2	0301780	CONNECTOR, 8MJ-12MB
28	1	0301791	HOSE ASSEMBLY, 17"
29	1	0301836	HYDRAULIC PUMP, OPPOSITE ENGINE
30	1	0301883	SOLENOID VALVE
31	2	0301894	SPIN-ON FILTER ASSEMBLY
32	1	0301904	ELBOW, 8MJ-12FL90
33	1	0301905	"O" RING FLANGE KIT, 12FH
34	2	0301961	BALL VALVE, BRONZE
35	2	0302081	CONTROL VALVE
36	2	0302084	ELBOW, 16MB-16FP90

REF. NO.	NO. REQ'D	PART NUMBER	DESCRIPTION
37	4	0302227	CENTER BONDED MOUNT *
38	4	0302228	SPECIAL WASHER *
39	1	0302242	FLANGE FITTING, 24FL-24HOSE90
40	1	0302313	HOSE ASSEMBLY, 25"
41	4	0302367	PIPE NIPPLE, 2" X 4" (2 INSIDE RESERVOIR) *
42	1	0302506	IN-LINE FILTER
43	1	0302849	SOLENOID VALVE
44	2	0302901	HOSE ASSEMBLY, 120"
45	2	0302932	ELBOW, 12MJ-20FL90 W/ KIT
46	1	0303093	CONTROL VALVE
47	1	0303272	HOSE ASSEMBLY, 10-1/2"
48	6	0303290	CLAMP, 2-1/2" INSULATED *
49	1	0305006	FILLER CAP
50	6	0400036	SCREW, #10-32 X 1" RD HD MACH
51	4	0400056	SCREW, 1/4"-20 X 3" HEX HD CAP
52	2	0400081	SCREW, 1/4"-20 X 3-1/2" HEX HD CAP
53	12	0400122	SCREW, 3/8"-16 X 1-1/4" HEX HD CAP
54	7	0400126	SCREW, 3/8"-16 X 1" HEX HD CAP
55	3	0400135	SCREW, 3/8"-16 X 4-1/2" HEX HD CAP
56	3	0400140	SCREW, 3/8"-16 X 4" HEX HD CAP
57	4	0400150	SCREW, 3/8"-16 X 2-1/2" HEX HD CAP
58	4	0400177	SCREW, 1/2"-13 X 1-1/4" HEX HD CAP
59	6	0400357	NUT, #10-32 HEX NYLOK
60	2	0400366	NUT, 1/4"-20 HEX
61	4	0400367	NUT, 1/4"-20 HEX NYLOK
62	17	0400392	NUT, 3/8"-16 HEX NYLOK
63	2	0400451	WASHER, 1/4" FLAT
64	2	0400452	LOCKWASHER, 1/4" HELICAL
65	12	0400482	LOCKWASHER, 3/8" HELICAL
66	4	0400491	LOCKWASHER, 1/2" HELICAL
67	3	0704045	SPACER, CONTROL VALVE *
68	1	0705910	COVER PLATE
69	1	0707228	ANGLE, FILTER MOUNTING
70	1	0706114	GASKET, CLEANOUT & FILLER COVER
71	2	0707463	SPACER, CONTROL VALVE *
72	1	0802511	HYDRAULIC RESERVOIR
73	2	HC0634	STRAINER/FILTER (INSIDE RESERVOIR) *

\* NOT SHOWN

# Section VI - PARTS (cont'd)

## WINCH HYDRAULICS & AIR FREE SPOOL





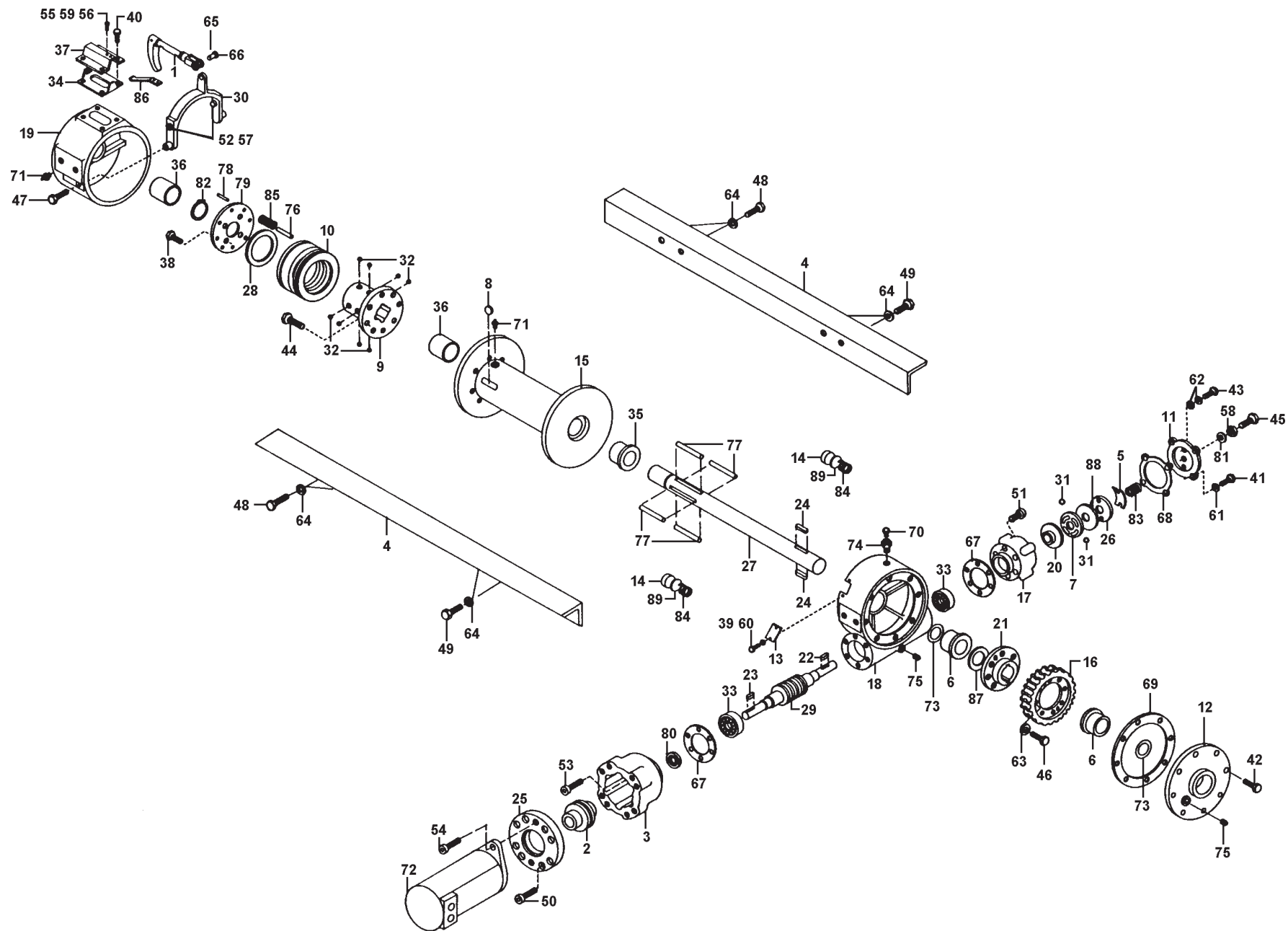
**Section VI - PARTS (cont'd)**  
**WINCH HYDRAULICS & AIR FREE SPOOL**

**Section VI - PARTS (cont'd)**  
**WINCH ASSEMBLY - H930 DOW-LOK**

REF. NO.	NO. REQ'D	PART NUMBER	DESCRIPTION
1	2	0300324	SOLENOID VALVE, AIR CONTROL
2	4	0300602	TOGGLE SWITCH, SPST (NOT SHOWN)
3	4	0301228	CONNECTOR, 10MJ-16MB
4	4	0301454	TOGGLE BOOT SEAL (NOT SHOWN)
5	2	0301574	ELBOW, 4TB-4MP90
6	2	0302129	ADJUSTABLE YOKE END
7	1	0302607	TEE UNION, 4TB-4TB-4TB
8	2	0302677	BREATHER VENT, 1/8" MP
9	4	0302678	ELBOW, 4TB-2MP90
10	2	0302795	SPRING, COMPRESSION
11	2	0302827	CONNECTOR, 10MJ-10MB
12	2	0302828	CONNECTOR, 10MJ-10MBL
13	2	0302935	HYDRAULIC MOTOR
14	2	0302984	AIR CYLINDER
15	4	0303039	HOSE ASSEMBLY, 185"
16	4	--	SCREW, #6-32 X 1-1/4" RD HD SLOTTED
17	4	0400077	SCREW, 1/4" X 1" DRILL POINT
18	2	0400095	SCREW, 5/16"-18 X 1/2" W/ 3/8" X 1" SHLDR
19	2	0400157	SCREW, 3/8"-16 X 1-3/4" HEX HD CAP
20	4	--	NUT, #6-32 HEX
21	2	0400382	NUT, 5/16"-18 HEX NYLOK
22	2	0400392	NUT, 3/8"-16 HEX NYLOK
23	2	0400412	NUT, 1/2"-20 HEX JAM
24	28	0400488	WASHER, 7/16" FLAT
25	2	0400491	LOCKWASHER, 1/2" HELICAL
26	2	0701078	MOUNTING ANGLE
27	3	0702382	MOUNTING ANGLE
28	1	0702397	AIR LINE, 12"
29	1	0702398	AIR LINE, 24"
30	1	0702399	AIR LINE, 144"
31	1	0708652	PANEL BASE
32	1	0802558	PANEL COVER TOP
33	1	HC0587	WINCH, H-930 LEFT
34	1	HC0588	WINCH, H-930 RIGHT
35	4	RR809	BUSHING, CONTROL HANDLE

# Section VI - PARTS (cont'd)

## WINCH ASSEMBLY - H930 DOW-LOK



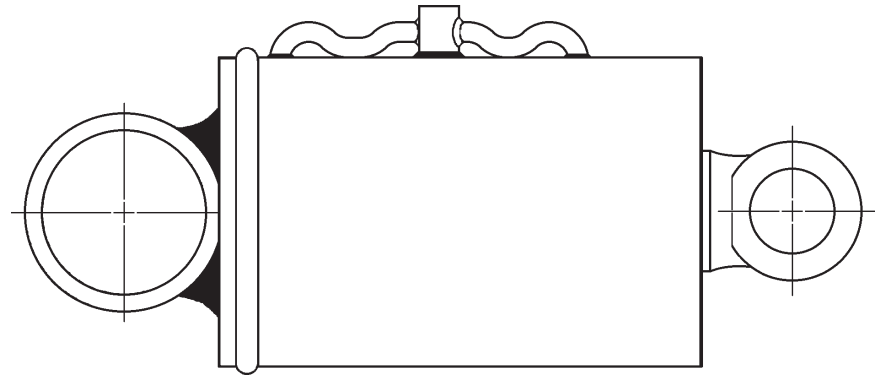
## Section VI - PARTS (cont'd)

### WINCH ASSEMBLY - H930 DOW-LOK

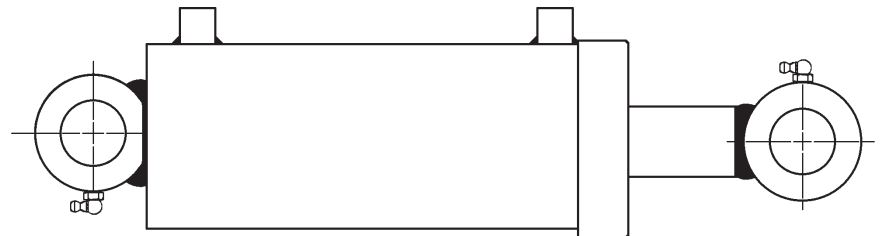
REF. NO.	NO. REQ'D	PART NUMBER	DESCRIPTION
1	1	276040	SHIFTER ASSEMBLY
2	1	299047	COUPLING ASSEMBLY
3	1	300048	ADAPTER
4	2	302902	ANGLE
5	1	306035	SPRING, FLAT
6	2	308083	BUSHING
7	1	314007	CAM PLATE
8	1	314013	CABLE ANCHOR
9	1	324151	CLUTCH
10	1	324321	LOCKING RING
11	1	328027	COVER, BRAKE
12	1	328122	COVER, GEAR HOUSING
13	2	328127	COVER, DRAG BRAKE
14	2	330010	SHOE, DRAG BRAKE
15	1	332132	DRUM
16	1	334150	GEAR, R.H.
17	1	338221	HOUSING, BRAKE
18	1	338253	HOUSING, GEAR
19	1	338254	HOUSING, CLUTCH
20	1	340011	HUB, BRAKE
21	1	340068	HUB, GEAR
22	1	342053	KEY
23	1	342083	KEY
24	2	342153	KEY
25	1	350535	PLATE, ADAPTER
26	1	352021	PLATE, RETAINER
27	1	357457	SHAFT, DRUM
28	1	362224	SPACER
29	1	368181	WORM, R.H.
30	1	370052	YOKE
31	2	400007	BALL, BRAKE
32	8	400011	BALL, CLUTCH
33	2	402045	BEARING, BALL
34	1	408112	BRACKET, CLUTCH SHIFTER
35	1	412051	BUSHING
36	2	412052	BUSHING
37	1	413028	COVER, SHIFTER
38	4	414038	CAPSCREW, 1/4"-20 X 3/4" LG HEX HD
39	4	414055	CAPSCREW, 1/4"-20 X 1/2" LG HEX HD
40	4	414069	CAPSCREW, 5/16"-18 X 3/4" LG HEX HD
41	4	414111	CAPSCREW, 5/16"-18 X 1" LG HEX HD
42	8	414277	CAPSCREW, 3/8"-16 X 1" LG HEX HD NYLOK
43	2	414399	CAPSCREW, 3/8"-24 X 1-1/4" LG HX HD ALL-THRD
44	8	414572	CAPSCREW, 1/2"-20 X 1-1/4" LG HEX HD
45	1	414605	CAPSCREW, 1/2"-20 X 1-3/4" LG HX HD ALL-THRD

REF. NO.	NO. REQ'D	PART NUMBER	DESCRIPTION
46	10	414606	CAPSCREW, 1/2"-20 X 2" LG HEX HD
47	2	414619	CAPSCREW, 1/2"-13 X 2-1/2" LG HX HD ALL-THRD
48	4	414784	CAPSCREW, 7/8"-9 X 2" LG HEX HD
49	4	414786	CAPSCREW, 7/8"-9 X 2" LG HX HD NYLOK HVY
50	8	414871	CAPSCREW, 5/16"-18 X1-1/4" LG SOC HD LOK-WEL
51	6	414897	CAPSCREW, 3/8"-16 X 1" LG SOC HD
52	2	414905	CAPSCREW, 3/8"-16 X 1-1/4" LG SOC HD
53	6	414909	CAPSCREW, 3/8"-16 X 1-3/4" LG SOC HD LOK-WEL
54	2	414950	CAPSCREW, 1/2"-13 X 1-3/4" LG SOC HD LOK-WEL
55	2	416236	CAPSCREW, #10-24 X 1/2" LG HEX HD
56	2	418004	NUT, #10-24 HEX REG
57	2	418035	NUT, 3/8"-16 HEX REG
58	1	418067	NUT, 1/2"-20 HEX JAM
59	2	418141	LOCKWASHER, #10 MED SECT
60	4	418149	LOCKWASHER, 1/4" MED SECT
61	4	418163	LOCKWASHER, 5/16" MED SECT
62	4	418184	WASHER, FLAT, 3/8" ALUM
63	10	418217	LOCKWASHER, 1/2" MED SECT
64	8	418258	LOCKWASHER, 7/8" MED SECT
65	1	424005	PIN, COTTER
66	1	424205	PIN, CLEVIS
67	2	442192	GASKET
68	1	442194	GASKET
69	1	442195	GASKET
70	1	456008	FITTING, RELIEF
71	2	456031	FITTING, LUBE
72	1	458049	MOTOR, HYDRAULIC
73	2	462013	QUAD, RING
74	1	468002	REDUCER
75	2	468011	PIPE PLUG
76	4	470042	PIN, ROLL
77	4	470044	PIN, DOWEL
78	4	470056	PIN, ROLL
79	1	474030	PLATE, RETAINER
80	1	486068	SEAL, OIL
81	1	486076	THREAD SEAL
82	1	490025	RING, RETAINER
83	1	494010	SPRING
84	2	494022	SPRING, DISC
85	4	494069	SPRING
86	2	494078	SPRING, FLAT
87	1	518016	THRUST WASHER
88	1	530007	DISC, BRAKE
89	2	530094	SPACER, BRAKE

**Section VI - PARTS (cont'd)**  
**HYDRAULIC CYLINDERS**



REF. NO.	NO. REQ'D	PART NUMBER	DESCRIPTION
1	1	HC0159	CYLINDER, UNDERLIFT LIFT (COMPLETE)
2	1	0304522	SEAL KIT, UNDERLIFT LIFT CYLINDER



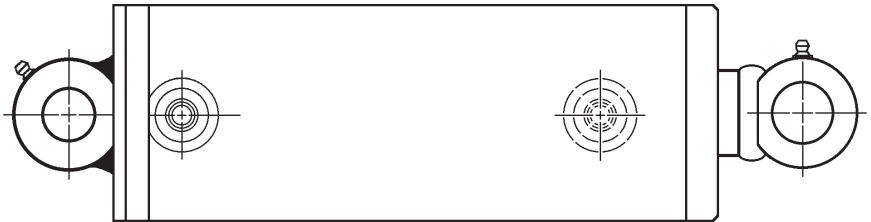
REF. NO.	NO. REQ'D	PART NUMBER	DESCRIPTION
1	2	HC0100	CYLINDER, UNDERLIFT TILT (COMPLETE)
2	1	HC0404	SEAL KIT, UNDERLIFT TILT CYLINDER

## Section VI - PARTS (cont'd)

### HYDRAULIC CYLINDERS



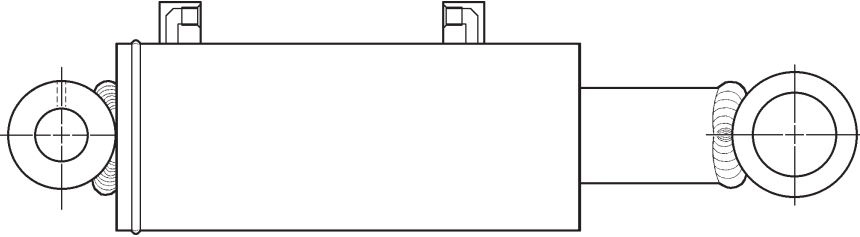
REF. NO.	NO. REQ'D	PART NUMBER	DESCRIPTION
1	1	HC0150	CYLINDER, UNDERLIFT EXTEND (COMPLETE) SEAL KIT, UNDERLIFT EXTEND CYLINDER
2	1	HC0717	



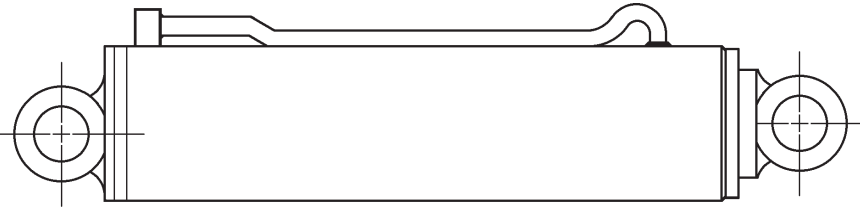
REF. NO.	NO. REQ'D	PART NUMBER	DESCRIPTION
1	1	HC0104	CYLINDER, UNDERLIFT FOLD (COMPLETE) SEAL KIT, UNDERLIFT FOLD CYLINDER
2	1	HC0407	

# Section VI - PARTS (cont'd)

## HYDRAULIC CYLINDERS

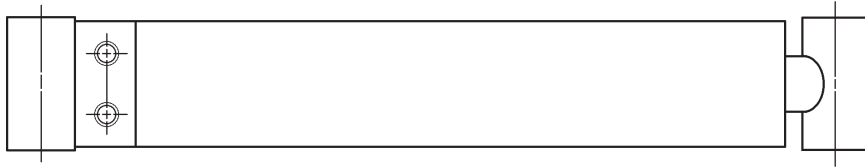


REF. NO.	NO. REQ'D	PART NUMBER	DESCRIPTION
1	2	HC0169	CYLINDER, BOOM LIFT (COMPLETE)
2	1	0304520	SEAL KIT, BOOM LIFT CYLINDER



REF. NO.	NO. REQ'D	PART NUMBER	DESCRIPTION
1	1	HC0163	CYLINDER, BOOM EXTEND (COMPLETE)
2	1	0304521	SEAL KIT, BOOM EXTEND CYLINDER

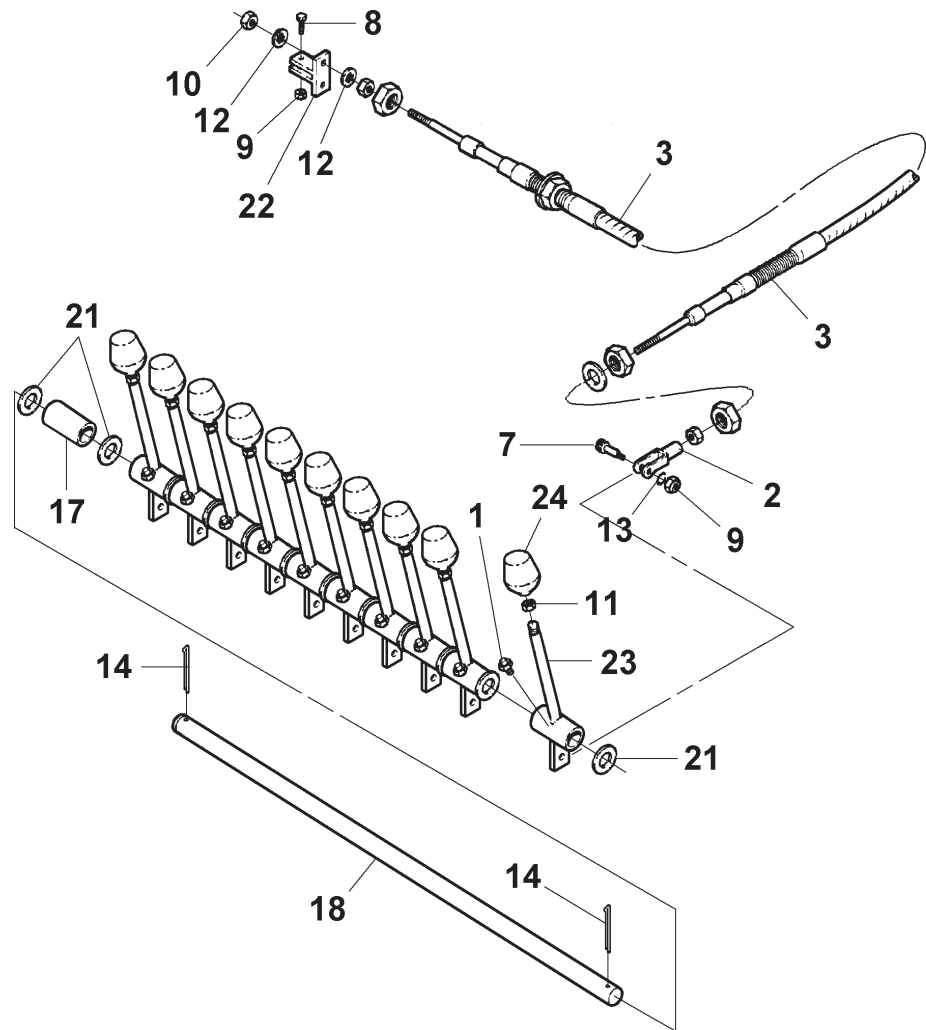
**Section VI - PARTS (cont'd)**  
**HYDRAULIC CYLINDERS**



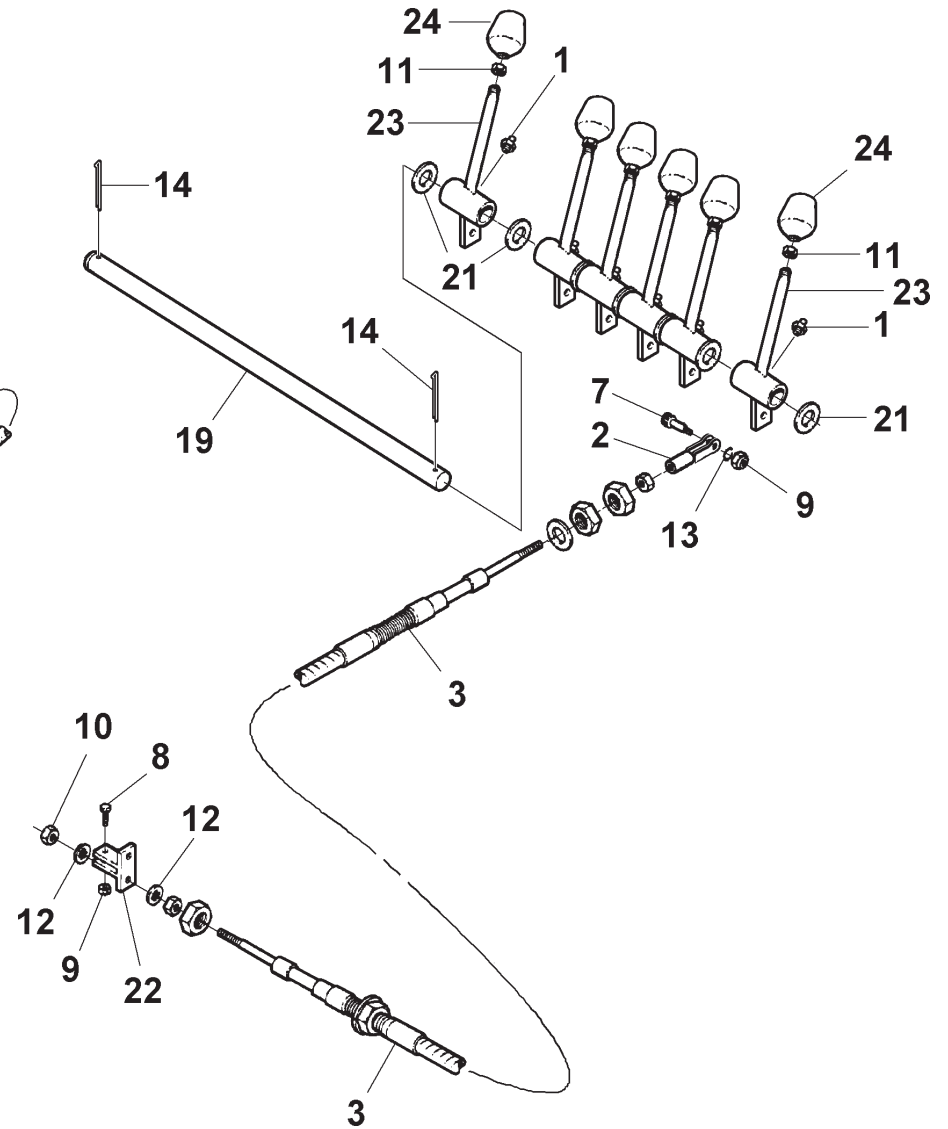
REF. NO.	NO. REQ'D	PART NUMBER	DESCRIPTION
1	2	HC0124	CYLINDER, REAR SPADE (COMPLETE)
2	1	HC0433	SEAL KIT, REAR SPADE CYLINDER

# Section VI - PARTS (cont'd)

## CONTROLS - LEFT SIDE



## CONTROLS - RIGHT SIDE





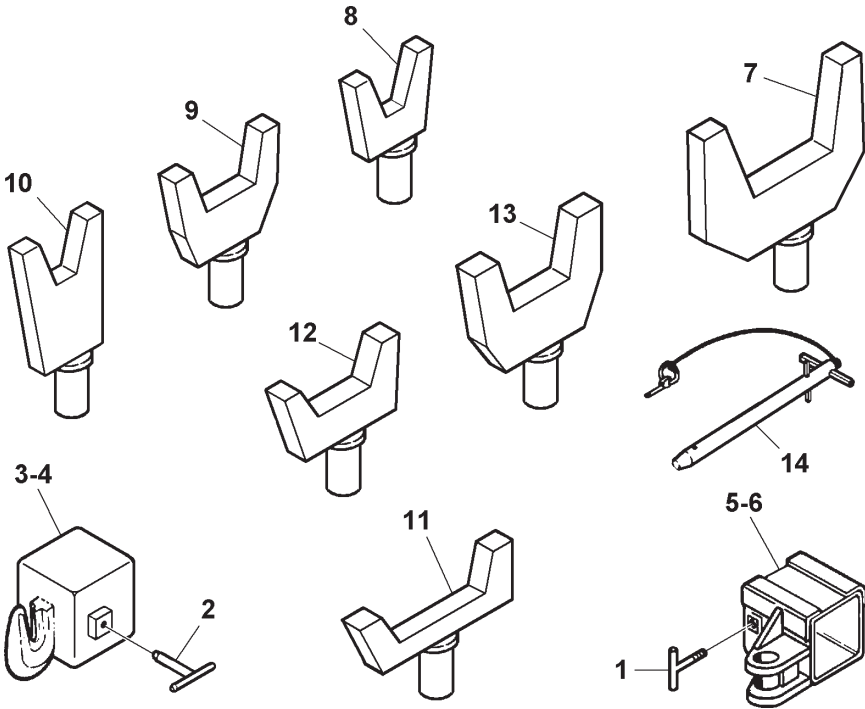
## Section VI - PARTS (cont'd) CONTROLS

REF. NO.	NO. REQ'D	PART NUMBER	DESCRIPTION
1	16	0300113	GREASE FITTING
2	16	0301867	ADJUSTABLE CLEVIS
3	16	0301969	CONTROL CABLE, 84"
4	3	0302152	HOLE PLUG, 1/2" *
5	3 FT.	0302430	CONVOLUTED LOOM, 5/8" *
6	1	0302809	HOLE PLUG, 3/4" *
7	16	0400095	SCREW, 5/16"-18 X 1/2" W/ 3/8" X 1" SHLDR
8	10	0400103	SCREW, 5/16"-18 X 1-1/4" HEX HD CAP
9	26	0400382	NUT, 5/16"-18 HEX NYLOK
10	16	0400383	NUT, 5/16"-24 HEX JAM
11	16	0400410	NUT, 1/2"-13 HEX JAM
12	32	0400466	LOCKWASHER, 5/16" INTERNAL TOOTH
13	16	0400482	LOCKWASHER, 3/8" HELICAL
14	4	0400546	COTTER PIN, 1/8" X 1-1/4"
15	1	0500645	DECAL, CONTROL ASSORTMENT *
16	2	0500678	DECAL, CONTROL ASSORTMENT *
17	1	0707627	SPACER TUBE, CONTROL HANDLE, 2-3/8"
18	1	0707629	PIN, CONTROL BOX
19	1	0707630	PIN, CONTROL BOX
20	2	0707908	PLATE, REINF CONTROL HANDLE *
21	20	0708157	WASHER-SPACER, CONTROL HANDLE
22	10	0801054	CONTROL CABLE CONNECTOR
23	16	0802560	CONTROL HANDLE WELDMENT
24	16	JH94	CONTROL KNOB

\* NOT SHOWN

# Section VI - PARTS (cont'd)

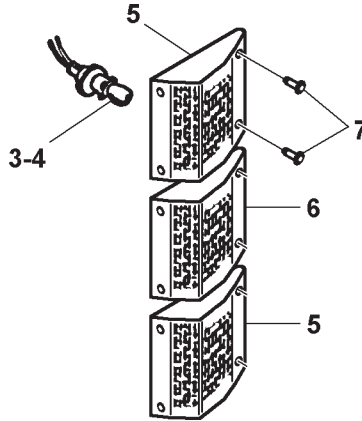
## LIFT ADAPTERS



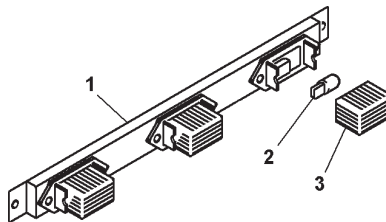
REF. NO.	NO. REQ'D	PART NUMBER	DESCRIPTION
1	2	0800590	TEE HANDLE, FORK ADAPTER
2	2	0801184	TEE HANDLE, CHAIN HOOK ADAPTER
3	1	0801186	CHAIN HOOK ADAPTER, RT
4	1	0801187	CHAIN HOOK ADAPTER, LT
5	1	0802155	OFFSET FORK ADAPTER, LT
6	1	0802156	OFFSET FORK ADAPTER, RT
7	2	0802659	REAR AXLE FORK, 6" OPENING
8	2	0802804	FORK, SHORT (3" OPENING)
9	2	0802805	FORK, MEDIUM (3" OPENING)
10	2	0802806	FORK, LONG (3" OPENING)
11	2	0802807	FORK, SHORT (4-1/2" OPENING)
12	2	0802808	FORK, MEDIUM (4-1/2" OPENING)
13	2	0802809	FORK, LONG (4-1/2" OPENING)
14	2	0900900	RETAINER PIN

## Section VI - PARTS (cont'd)

### LIGHT KIT

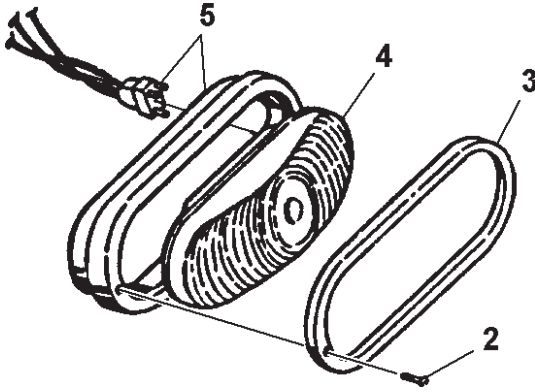


REF. NO.	PART NUMBER	DESCRIPTION
1	0302542	LIGHT, STOP & TURN (COMPLETE)
2	0302543	LIGHT, BACK-UP (COMPLETE)
3	--	BULB, STOP & TURN
4	--	BULB, BACK-UP
5	0302542	LENS, STOP & TURN (RED)
6	0302543	LENS, BACK-UP (CLEAR)
7	0400025	SCREW, LENS

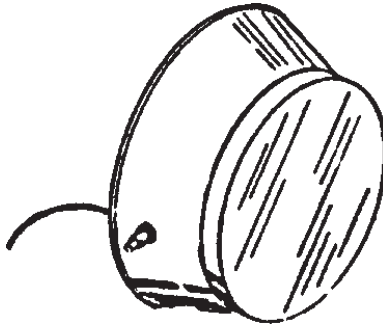


REF. NO.	PART NUMBER	DESCRIPTION
1	0300442	3-LIGHT BAR ASSEMBLY, COMPLETE
2	0300507	BULB, MARKER LIGHT
3	0300511	LENS, 3-LIGHT BAR

## Section VI - PARTS (cont'd) LIGHT KIT

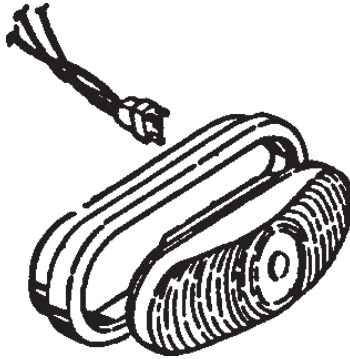


REF. NO.	PART NUMBER	DESCRIPTION
1	0301390	LIGHT, TURN (COMPLETE)
2	0304123	BEZEL MOUNTING SCREW
3	0304124	CHROME BEZEL
4	0304125	LENS & BULB ASSEMBLY
5	0304126	GROMMET & PLUG KIT

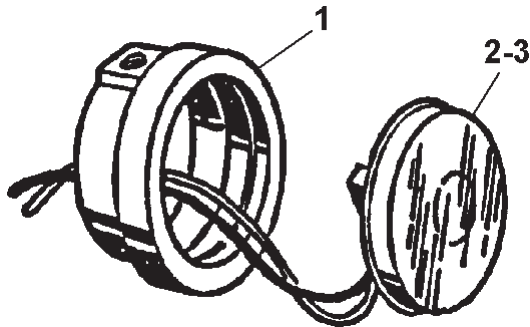


REF. NO.	PART NUMBER	DESCRIPTION
1	0302544	LIGHT, DOME (COMPLETE)

## Section VI - PARTS (cont'd) LIGHT KIT



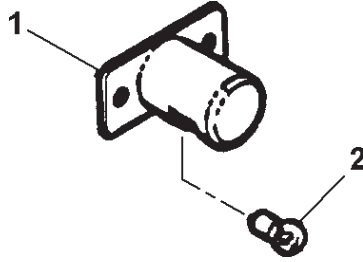
REF. NO.	PART NUMBER	DESCRIPTION
1	0302201	LIGHT, FLOOD (COMPLETE)



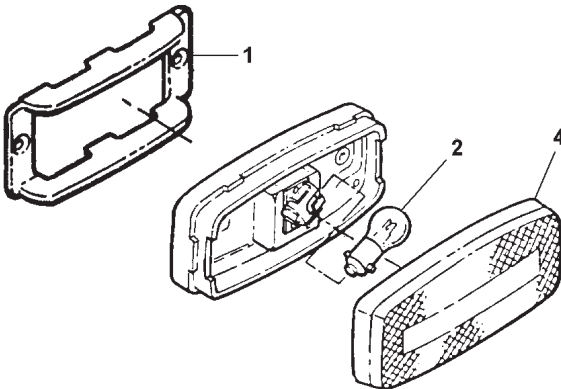
REF. NO.	PART NUMBER	DESCRIPTION
1	0301740	GROMMET & PLUG, MARKER LIGHT
2	0301741	LENS & BULB, RED MARKER
3	0301742	LENS & BULB, AMBER MARKER

# Section VI - PARTS (cont'd)

## LIGHT KIT



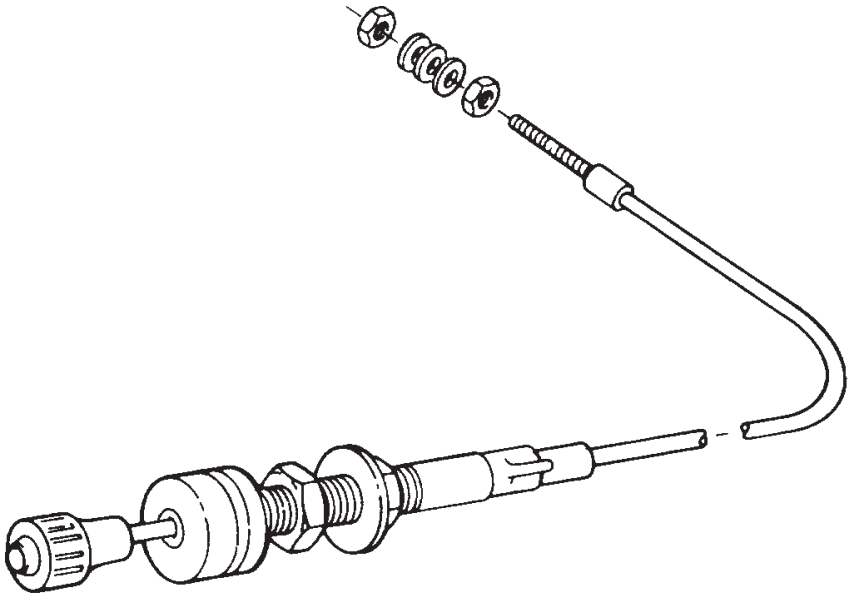
REF. NO.	PART NUMBER	DESCRIPTION
1	0300273	LICENSE PLATE ILLUMINATOR (COMPLETE)
2	0300512	BULB, LICENSE PLATE ILLUMINATOR



REF. NO.	PART NUMBER	DESCRIPTION
1	0300242	GUARD
2	0300507	BULB, MARKER LIGHT
3	0301887	LIGHT, AMBER MARKER (COMPLETE)
4	0304380	REFLECTIVE LENS, AMBER MARKER

# Section VI - PARTS (cont'd)

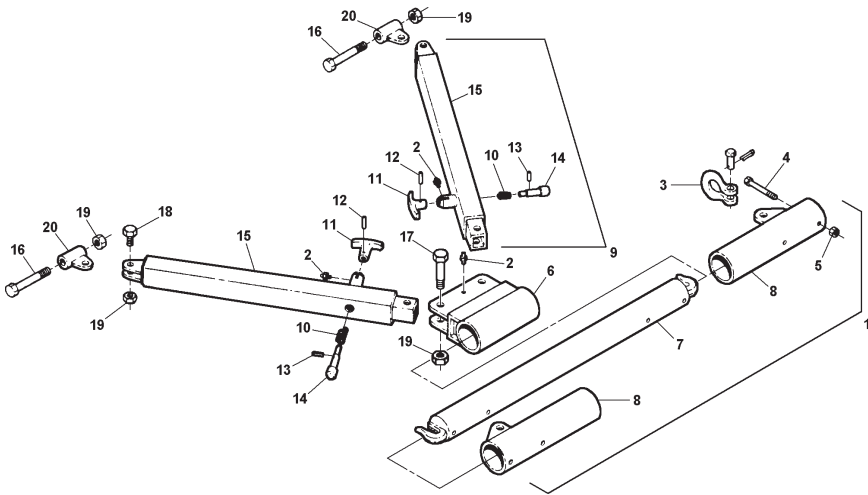
## THROTTLE CONTROL CABLE



REF. NO.	NO. REQ'D	PART NUMBER	DESCRIPTION
1	1	0300182	STOP COLLAR, #516
2	1	0300686	THROTTLE CONTROL CABLE, 25'
		0300722	THROTTLE CONTROL CABLE, 30'
		0301218	THROTTLE CONTROL CABLE, 35'

# Section VI - PARTS (cont'd)

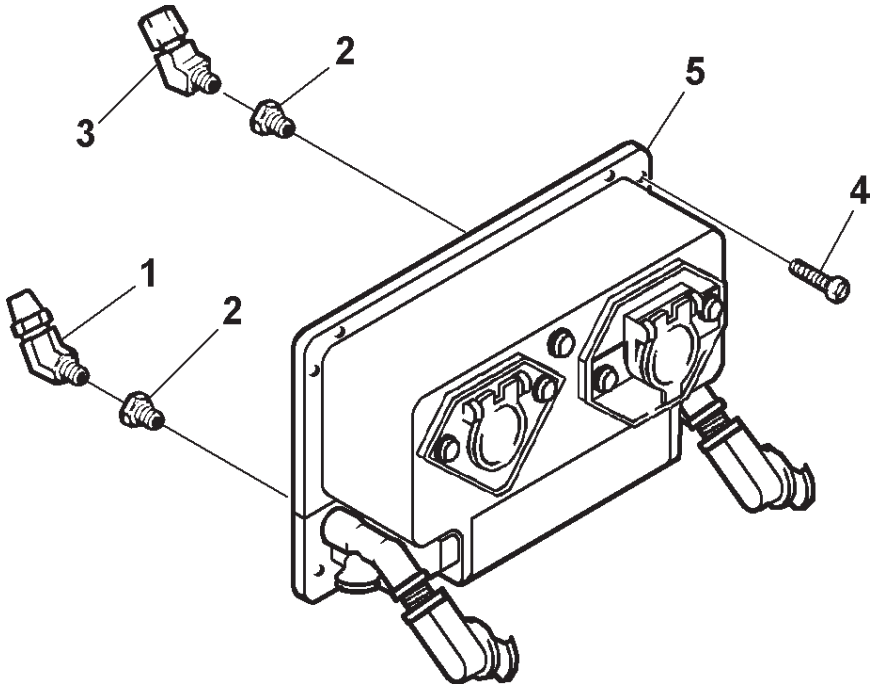
## HEAVY DUTY TRUCK HITCH



REF. NO.	NO. REQ'D	PART NUMBER	DESCRIPTION
--	--	124001041	ASSEMBLY, HEAVY DUTY TRUCK HITCH
--	2	0301205	CHAIN ASSEMBLY (NOT ILLUSTRATED)
1	1	0900100	ASSEMBLY, ANCHOR BAR (INCLUDES ITEMS 2 THRU 8)
2	3	0300113	GREASE FITTING
3	2	0300335	SHACKLE
4	4	0400190	SCREW, 1/2"-13 X 6-1/2" HEX HEAD CAP
5	4	0400408	NUT, 1/2"-13 NYLOK HEX
6	1	0800181	SWIVEL WELDMENT
7	1	0800182	ANCHOR BAR WELDMENT
8	2	0800409	LIFTER SLEEVE WELDMENT
9	2	0900187	SPACER BAR ASSEMBLY (INCLUDES ITEMS 2 & 10 THRU 15)
10	2	0300004	SPRING, PLUNGER
11	2	0300331	HANDLE, TEE
12	2	0400561	ROLL PIN, 5/32" X 3/4"
13	2	0400563	ROLL PIN, 3/16" X 1-3/4"
14	2	0700526	PIN, PLUNGER
15	2	0800343	SPACER BAR WELDMENT
16	2	0400324	SCREW, 1"-8 X 7-1/2" HEX HEAD CAP
17	2	0400331	SCREW, 1"-8 X 5-1/2" HEX HEAD CAP
18	6	0400332	SCREW, 1"-8 X 3-1/2" HEX HEAD CAP
19	2	0400444	NUT, 1"-8 HEX NYLOK
20	2	0800171	TRUNNION WELDMENT



## Section VI - PARTS (cont'd) BERG BOX ASSEMBLY



REF. NO.	NO. REQ'D	PART NUMBER	DESCRIPTION
1	1	0301947	ADAPTER, 1/4" NPM-3/8, 45°
2	2	0302124	BUSHING, 3/8" MPT X 1/4" FPT
3	1	0302534	ELBOW, 1480 X 8 X 4, 45°
4	8	0400062	SCREW, 1/4"-20 X 3/4" HEX WASHER HD, THRD CUT
5	1	VA0437	BERG BOX





***CHALLENGER***<sup>®</sup>

Miller Industries Towing Equipment Inc.  
8503 Hilltop Drive • Ooltewah, Tennessee 37363 • (423) 238-4171  
[www.millerind.com](http://www.millerind.com)