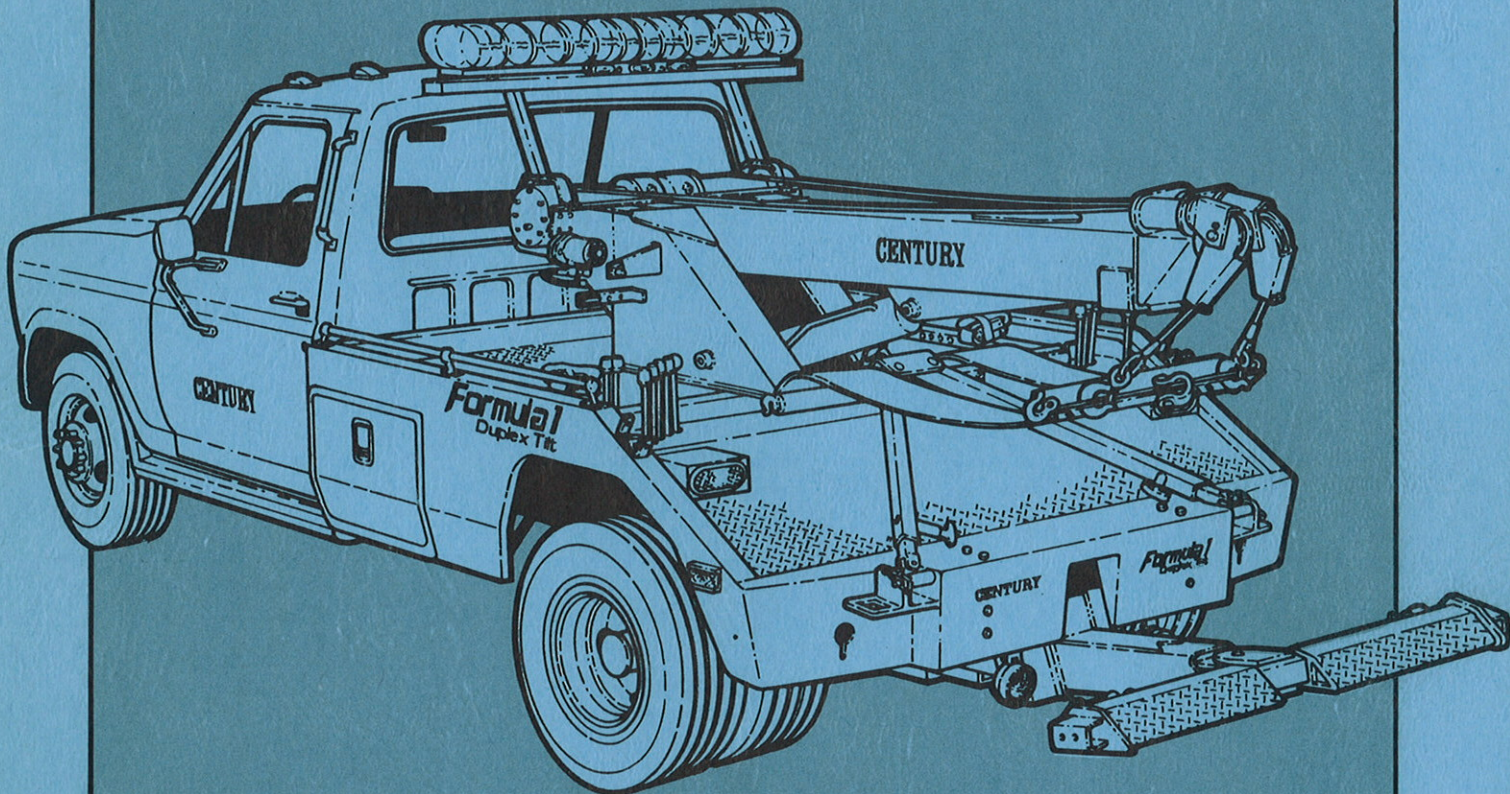


CENTURY®



OWNER'S MANUAL

SERIAL NO.

FORMULA 1, Duplex Tilt, Super Six & 500 Series

**CENTURY®
WRECKER
CORPORATION**

**Installation, Operation,
Maintenance & Parts**

I-75 at Ooltewah Exit #11 • 8503 Hilltop Drive • Ooltewah, Tennessee 37363 • (615) 238-4171

Mailing Address: P.O. Box 120 • Ooltewah, Tennessee 37363 • Telex: 856967 CENWKRTN UD

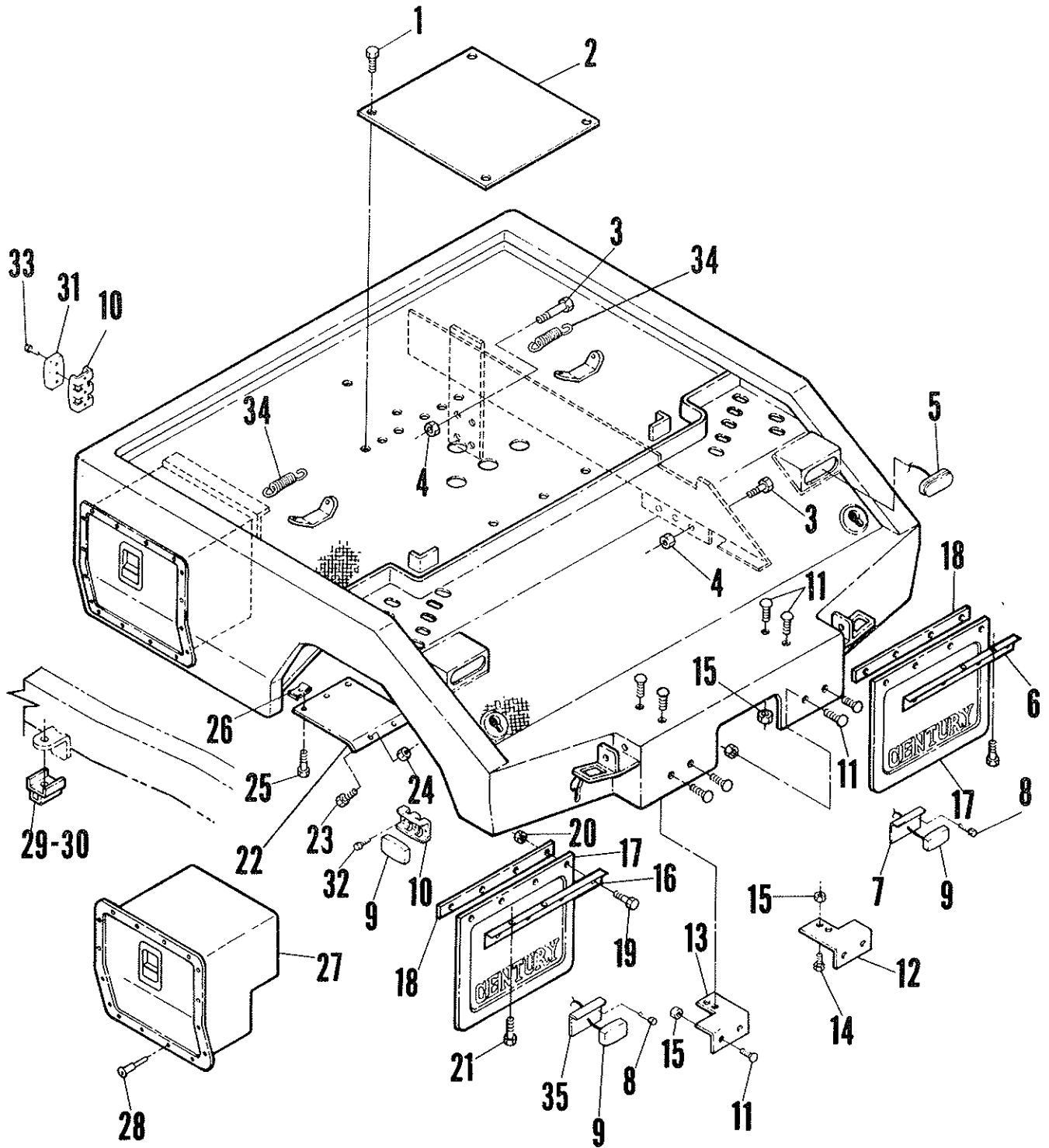
FORM NO. 0500287-F87

PRICE \$15.00

Section VI

PARTS

Section VI - PARTS- BODY ASSEMBLY FORMULA I, DUPLEX TILT, SUPER SIX & 500 SERIES



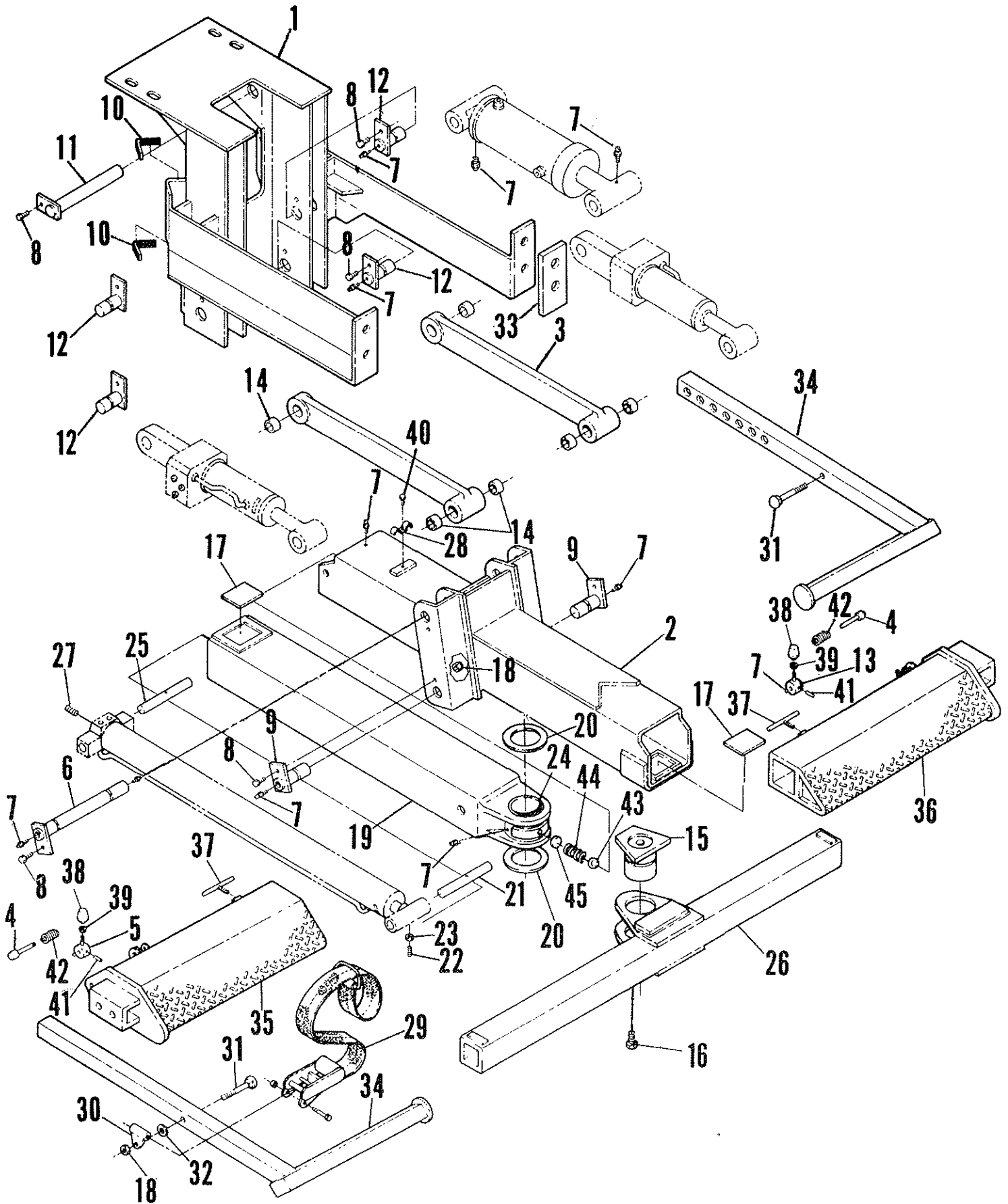
Section VI - PARTS- BODY ASSEMBLY

FORMULA I, DUPLEX TILT, SUPER SIX & 500 SERIES

| REF. NO. | NO. REQ'D. | PART NUMBER | DESCRIPTION |
|----------|------------|-------------|---|
| 1 | 4 | 0400260 | SCREW, 5/8"-11 X 2" LG. HX. HD. CAP, GR. 5 PL |
| 2 | 1 | 0703220 | PLATE, ACCESS HOLE COVER (FORMULA I, WHEEL LIFT ONLY) |
| 3 | 14 | 0400260 | SCREW, 5/8"-11 X 2" LG. HX. HD. CAP |
| 4 | 14 | 0400421 | NUT, 5/8"-11 NYLON LOCK |
| 5 | 2 | 0301390 | STOP & TURN LAMP |
| 6 | 1 | 0702009 | RIGHT MUD FLAP MTG. ANGLE (OPT) |
| 7 | 1 | 0700160 | BRACKET, RIGHT REAR CLEARANCE LIGHT |
| 8 | 2 | 0400132 | SCREW, 3/8"-16 X 1 1/2" LG. HEX. HD. CAP |
| 9 | 4 | 0300427 | MARKER LIGHT, RED |
| 10 | 4 | 0300242 | GUARDS, MARKER LIGHT (OPT) |
| 11 | 8 | 0400201 | SCREW, 1/2"-13 X 1 1/2" LG. CARRIAGE BOLT |
| 12 | 1 | 0702752 | TAILGATE BOLTING ANGLE, R.H. |
| 13 | 1 | 0702751 | TAILGATE BOLTING ANGLE, L.H. |
| 14 | 4 | 0400188 | SCREW, 1/2"-13 X 2" LG. HEX. HD. CAP. GR. 5 |
| 15 | 12 | 0400408 | NUT, 1/2"-13 NYLON LOCK |
| 16 | 1 | 0702008 | LEFT MUD FLAP MTG. ANGLE (OPT.) |
| 17 | 2 | 0301447 | MUD FLAP (OPT.) |
| 18 | 2 | 0700554 | MUD FLAP BAR (OPT.) |
| 19 | 8 | 0400122 | SCREW, 3/8"-16 X 1 1/4" LG. HEX. HD. CAP |
| 20 | 12 | 0400392 | NUT, 3/8"-16 NYLON LOCK |
| 21 | 4 | 0400126 | SCREW, 3/8"-16 X 1" LG. HEX. HD. CAP |
| 22 | 2 | 0701924 | TOP MUD GUARD |
| 23 | 4 | 0400066 | SCREW, 1/4"-20 X 3/4" LG. HEX. HD. CAP |
| 24 | 4 | 0400367 | NUT, 1/4"-20 NYLON LOCK |
| 25 | 6 | 0400060 | SCREW, 1/4"-20 X 1/2" LG. |
| 26 | 6 | 0400369 | TINNERMAN CLIP, 1/4" "J" TYPE |
| 27 | 1 | 0900486 | 10" OFFSET TOOL BOX (L.H. STD./R.H. OPT.) |
| 28 | 16 | 0400567 | RIVET, POP |
| 29 | 4 | 0800649 | SPRING SPACER, FORD |
| 30 | 4 | 0800650 | SPRING SPACER, CHEVY/GMC |
| 31 | 2 | 0300428 | MARKER LIGHT, AMBER |
| 32 | 8 | 0400042 | SCREW, #10-24 X 1/2" LG. (OPT.) |
| 33 | 12 | 0400045 | SCREW, #10-32 X 3/8" LG. THRD. CUTTING |
| 34 | 2 | 0301416 | SPRING, STOW BRKT. |
| 35 | 1 | 0700159 | LT. CLEAR LIGHT BRACKET |
| | | | |
| | | | |
| | | | |
| | | | |
| | | | |
| | | | |
| | | | |
| | | | |
| | | | |

Section VI - PARTS

WHEEL LIFT ASSEMBLY — DUPLEX TILT



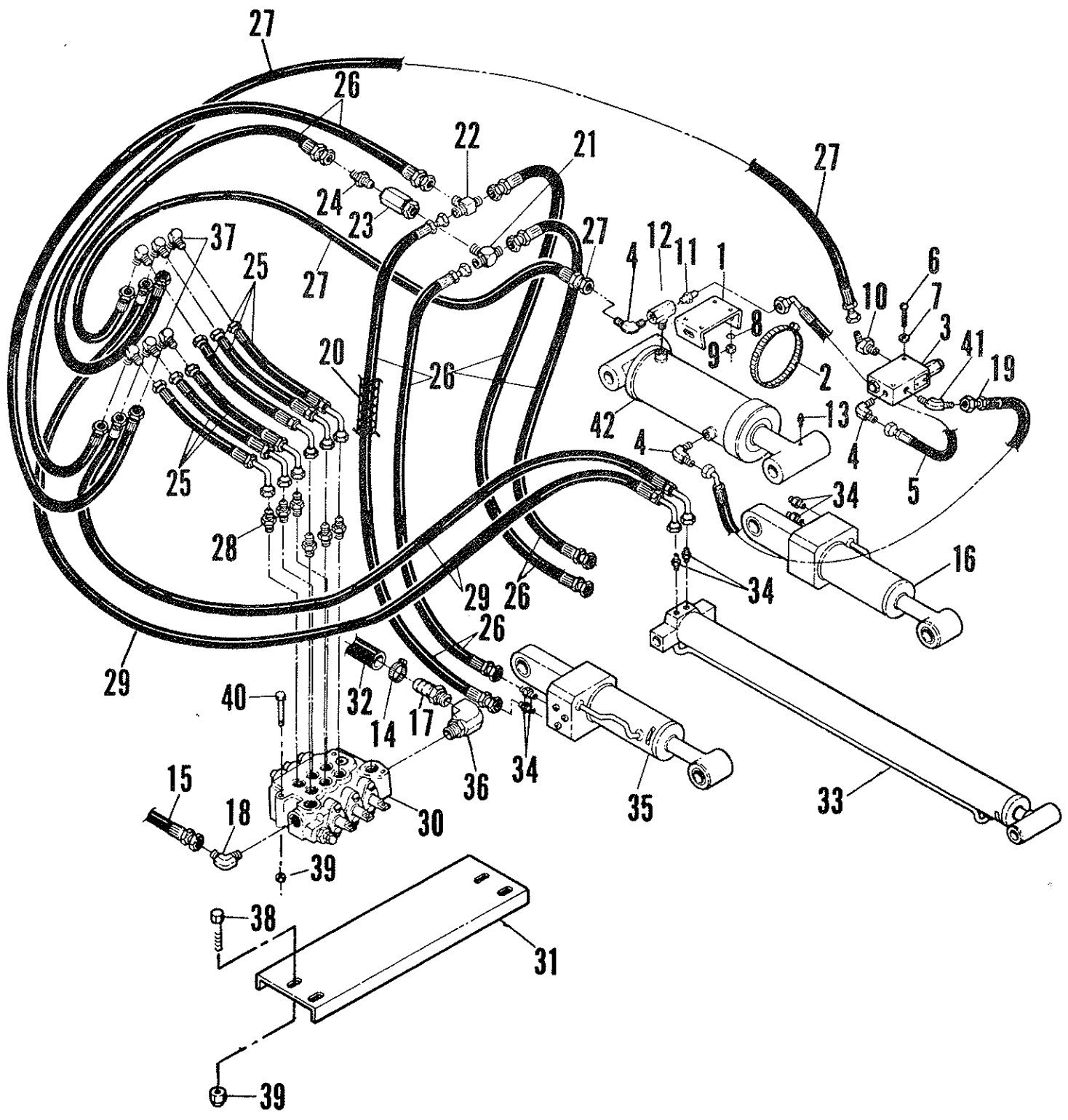
Section VI - PARTS

WHEEL LIFT ASSEMBLY — DUPLEX TILT

| REF. NO. | NO. REQ'D. | PART NUMBER | DESCRIPTION |
|----------|------------|-------------|--|
| 1 | 1 | 0801006 | FRAME WELDMENT |
| 2 | 1 | 0801004 | OUTER BOOM WELDMENT |
| 3 | 2 | 0900883 | UPPER ARM ASS'Y - INCLUDES ITEMS 25 & 26 |
| 4 | 2 | 0701916 | PLUNGER PIN |
| 5 | 1 | 0800837 | LEFT PLUNGER HANDLE |
| 6 | 1 | 0801009 | UPPER SHAFT WELDMENT, BOOM |
| 7 | 13 | 0300113 | GREASE FTG., 1/4" - 28 STR. |
| 8 | 8 | 0400141 | SCREW, 3/8"-16 X 7/8" LG. GR. 5 PL. CAP |
| 9 | 2 | 0801010 | LOWER SHAFT WELDMENT, BOOM |
| 10 | 4 | 0703422 | HOSE GUARD |
| 11 | 1 | 0801012 | SHAFT, LIFT CYLINDER |
| 12 | 4 | 0801011 | SHAFT WELDMENT, ARM |
| 13 | 1 | 0800838 | RIGHT PLUNGER HANDLE |
| 14 | 6 | 0301845 | BUSHING |
| 15 | 1 | 0801073 | PIN, CROSS TUBE PIVOT |
| 16 | 2 | 0701956 | SCREW, 1/2"-13 X 1" LG. HEX. HD. CAP. GR. 5 |
| 17 | 2 | 0301850 | SLIDE PAD, NYLATRON |
| 18 | 10 | 0400390 | JAM LOCK NUT, 3/8"-16 NC HEX., PL. |
| 19 | 1 | 0801076 | INNER BOOM WELDMENT — INCLUDES ITEM 24 |
| 20 | 2 | 0703640 | THRUST WASHER |
| 21 | 1 | 0702131 | SHAFT, CYLINDER |
| 22 | 1 | 0400139 | SET SCREW, 3/8" - 16 NC X 1 1/2" LG. ALLEN HD. |
| 23 | 1 | 0400392 | LOCKNUT, 3/8"-16 NC NYLOK, PL. |
| 24 | 1 | 0301914 | BUSHING |
| 25 | 1 | 0703345 | SHAFT, EXTEND CYLINDER |
| 26 | 1 | 0801074 | CROSS TUBE, INNER WELDMENT, DUPLEX TILT |
| 27 | 1 | 0400129 | SET SCREW, 3/8" - 16 NC X 3/4" CUP POINT ALLEN HD. |
| 28 | 2 | 0301601 | CLAMP |
| 29 | 2 | 0301399 | TIE DOWN RATCHET, STRAP, NUT, SCREW |
| 30 | 2 | 0800583 | TIE DOWN PIVOT |
| 31 | 2 | 0400161 | SCREW, 3/8"-16 X 2 3/4" CARRIAGE BOLT |
| 32 | 2 | 0400480 | WASHER, 3/8" FLAT |
| * 33 | --- | 0701941 | WHEEL LIFT MTG. SPACER |
| 34 | 2 | 0800897 | TIRE RESTRAINT |
| 35 | 1 | 0800912 | LEFT OUTER CROSS TUBE |
| 36 | 1 | 0800913 | RIGHT OUTER CROSS TUBE |
| 37 | 2 | 0800590 | TEE HANDLE |
| 38 | 2 | 0300341 | KNOB |
| 39 | 2 | 0400393 | NUT, 3/8"-16 JAM |
| 40 | 1 | 0400060 | SCREW, 1/4"-20 NC X 1/2" LG. GR. 5 PL. CAP |
| 41 | 2 | 0400560 | ROLL PIN, 5/32" X 1" |
| 42 | 2 | 0301417 | PLUNGER SPRING |
| 43 | 1 | 0301398 | BALL, DETENT |
| 44 | 1 | 0301197 | SPRING, DETENT |
| 45 | 1 | 0702546 | SPACER |

* Used as needed in centering Wheel Lift (Left-to-Right).

Section VI - PARTS WHEEL LIFT / DUPLEX TILT HYDRAULICS

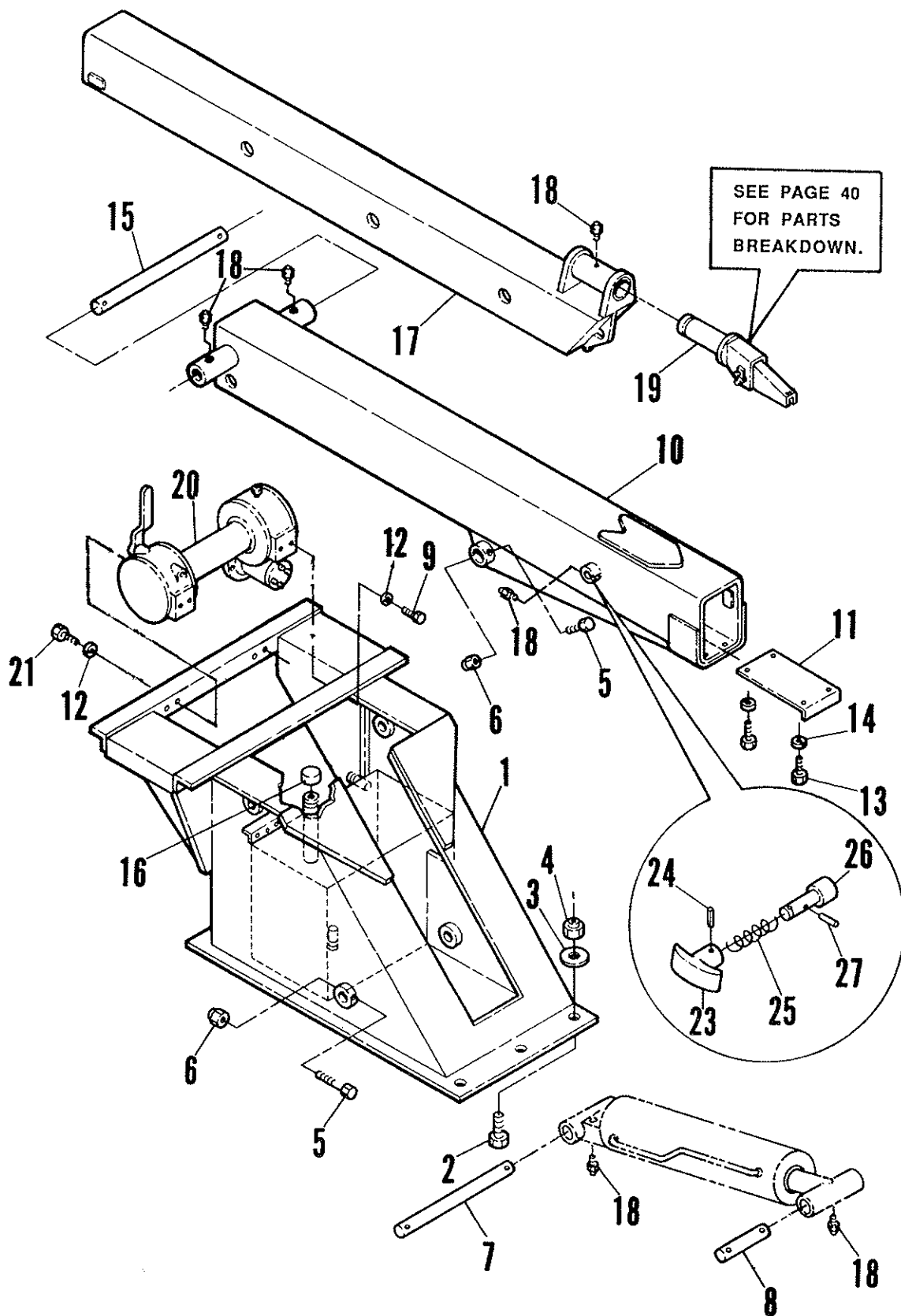


Section VI - PARTS

WHEEL LIFT / DUPLEX TILT HYDRAULICS

| REF. NO. | NO. REQ'D. | PART NUMBER | DESCRIPTION |
|----------|------------|-------------|--|
| 1 | 1 | 0703001 | BRACKET, CHECK VALVE MOUNTING |
| 2 | 1 | 0300133 | CLAMP, BRACKET |
| 3 | 1 | 0301731 | HOLDING VALVE |
| 4 | 3 | 0300142 | ELBOW, 1/4" NPT X 3/8" J.I.C. 90° |
| 5 | 1 | 0301473 | HOSE, LIFT CYLINDER (18" LG.) |
| 6 | 2 | 0400064 | SCREW, 1/4" - 20 NC X 2 1/4" LG. RD. HD. PL. |
| 7 | 2 | 0400451 | FLAT WASHER, 1/4" PL. |
| 8 | 2 | 0400452 | LOCKWASHER, 1/4" PL. |
| 9 | 2 | 0400366 | NUT, 1/4" - 20 NC HEX. PL. |
| 10 | 1 | 0301848 | ELBOW, 3/8" J.I.C. X 3/8" NPT, 45° |
| 11 | 1 | 0301424 | CONNECTOR, 1/4" NPT X 3/8" J.I.C. STR. |
| 12 | 1 | 0301868 | TEE, 1/4" FEM. NPT X 1/4" FEM. NPT X 1/4" MALE NPT |
| 13 | 2 | 0300113 | GREASE FTG., 1/4"-28 STR. |
| 14 | 2 | 0300071 | HOSE CLAMP, 1" |
| 15 | 1 | 0300165 | HOSE ASSEMBLY |
| 16 | 1 | 0301824 | TILT CYLINDER, L.H. |
| 17 | 1 | 0300055 | HOSE BARB, 3/4" NPT |
| 18 | 1 | 0300052 | ELBOW, 1/2" J.I.C. X 3/8" SAE O-RING STR. 90° |
| 19 | 1 | 0301900 | HOSE ASSEMBLY 5000 PSI |
| 20 | 4 | 0301580 | SCUFF JACKET |
| 21 | 1 | 0301855 | TEE |
| 22 | 1 | 0301377 | TEE |
| 23 | 1 | 0301854 | RESTRICTOR VALVE |
| 24 | 1 | 0301425 | CONNECTOR |
| 25 | 6 | 0301908 | HOSE ASSEMBLY |
| 26 | 6 | 0301902 | HOSE ASSEMBLY |
| 27 | 2 | 0301402 | HOSE ASSEMBLY |
| 28 | 6 | 0300044 | CONNECTOR |
| 29 | 2 | 0301485 | HOSE ASSEMBLY |
| 30 | 1 | 0300010 | 3-SPOOL VALVE |
| 31 | 1 | 0703896 | VALVE MOUNTING CHANNEL |
| 32 | 1 | 0300057 | RETURN HOSE, 3/4" I.D. X 47" LG. |
| 33 | 1 | 0301825 | CYLINDER, EXTEND |
| 34 | 6 | 0301522 | CONNECTOR, 3/8" S.A.E. "O" RING X 3/8" J.I.C.M |
| 35 | 1 | 0301823 | CYLINDER, TILT, R.H. |
| 36 | 1 | 0301375 | ELBOW, 3/4" SAE X 3/4" NPT, 90° |
| 37 | 6 | 0301413 | ELBOW, 3/8" JIC M (BOTH ENDS) |
| 38 | 4 | 0400126 | SCREW, 3/8"-16 NC X 1" GR. 5 CAP |
| 39 | 7 | 0400392 | 3/8"-16 NC HEX. NUT, NYLOK PL. |
| 40 | 3 | 0400140 | SCREW, 3/8"-16 NC X 4" GR. 5 CAP |
| 41 | 1 | 0300209 | ELBOW, 3/8" JIC X 3/8" NPT, 90° |
| 42 | 1 | 0301484 | CYLINDER, LIFT |
| | | | |
| | | | |
| | | | |
| | | | |

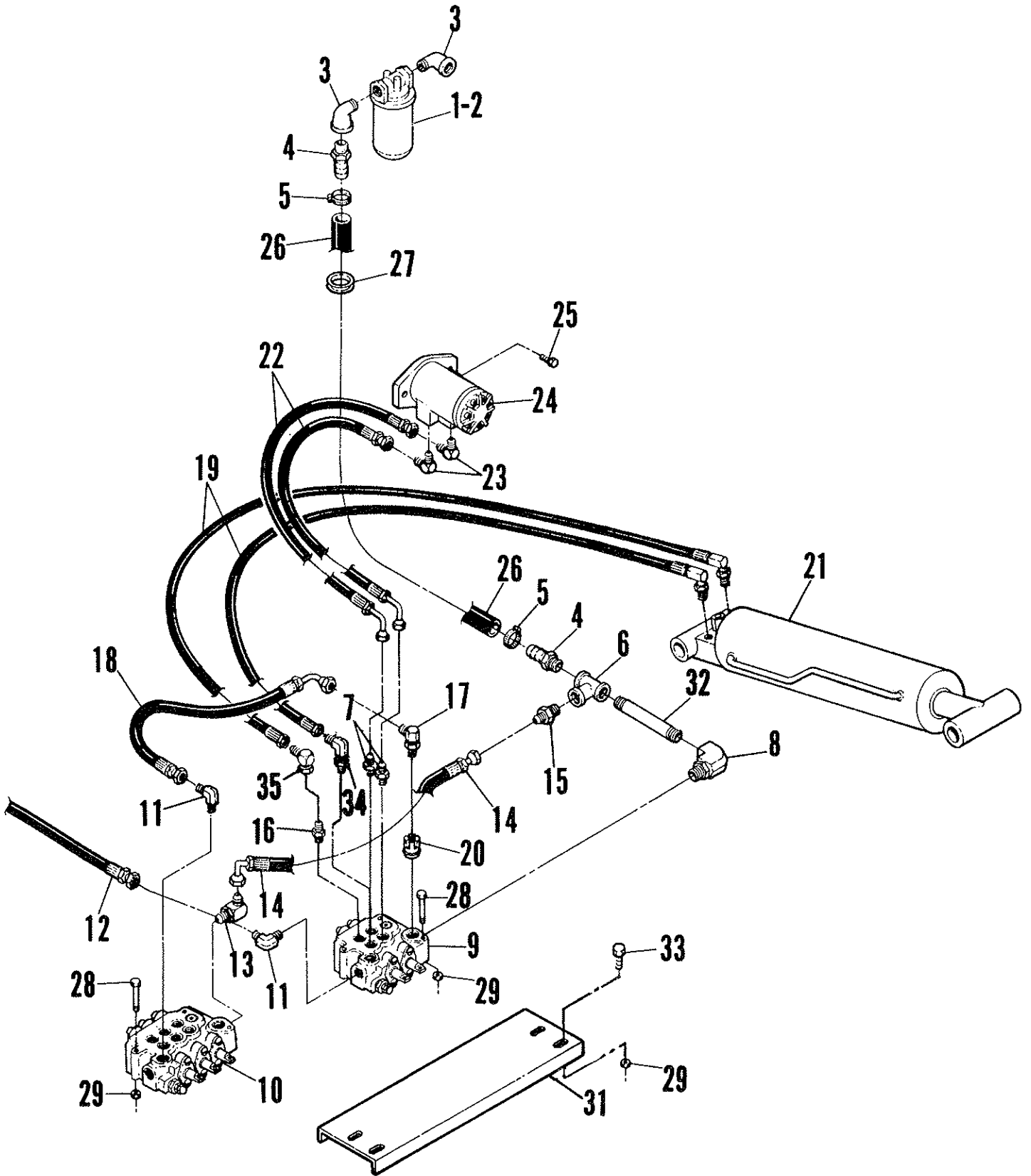
Section VI - PARTS SUPER SIX WRECKER



**Section VI - PARTS
SUPER SIX WRECKER**

| REF. NO. | NO. REQ'D. | PART NUMBER | DESCRIPTION |
|----------|------------|-------------|--|
| 1 | 1 | 0800948 | WRECKER FRAME WELDMENT |
| 2 | 9 | 0400260 | SCREW, 5/8"-11 X 2" LG. HEX, HD,CAP,GR. 5 |
| 3 | 9 | 0400506 | WASHER, 5/8" FLAT |
| 4 | 9 | 0400421 | NUT, 5/8"-11 NYLON LOCK |
| 5 | 3 | 0400133 | SCREW, 3/8"-16 X 3" LG, HEX, HD, CAP, GR. 5 PL |
| 6 | 3 | 0400392 | NUT, 3/8"-16 NYLON LOCK |
| 7 | 1 | 0703097 | SHAFT, LOWER LIFT CYLINDER |
| 8 | 1 | 0703092 | SHAFT, UPPER LIFT CYLINDER |
| 9 | 1 | 0400121 | SCREW, 3/8"-16 NC X 3/4" LG. HEX. HD. CAP |
| 10 | 1 | 0800953 | OUTER BOOM WELDMENT, MANUAL |
| 11 | 1 | 0702145 | PAD BOLT-ON BEARING RET. |
| 12 | 8 | 0400482 | WASHER, 3/8" LOCK |
| 13 | 4 | 0400060 | SCREW, 1/4"-20 X 1/2 LG, HEX, HD, CAP, GR. 2 |
| 14 | 4 | 0400452 | WASHER, 1/4" LOCK |
| 15 | 1 | 0703096 | BOOM PIVOT SHAFT |
| 16 | 1 | 0703109 | FILLER PIPE CAP |
| 17 | 1 | 0800952 | INNER BOOM WELDMENT, MANUAL |
| 18 | 6 | 0300113 | GREASE FITTING, STR. |
| 19 | 1 | 0900007 | BOOM END SWIVEL |
| 20 | 1 | 0300251 | WINCH |
| 21 | 6 | 0400122 | SCREW, 3/8"-16 NC X 1-1/4" LG. HEX. HD. CAP |
| 22 | 8 | 0400482 | WASHER, 3/8" LOCK |
| 23 | 1 | 0300331 | "T" HANDLE, PLUNGER |
| 24 | 1 | 0400563 | ROLL PIN, 3/16" DIA. X 1 3/4" LG. |
| 25 | 1 | 0300276 | SPRING, PLUNGER |
| 26 | 1 | 0701964 | PLUNGER PIN, 1 3/8" DIA. X 5" LG. |
| 27 | 1 | 0400561 | ROLL PIN, 5/32" DIA. X 3/4" |
| | | | |
| | | | |
| | | | |
| | | | |
| | | | |
| | | | |
| | | | |
| | | | |
| | | | |
| | | | |
| | | | |
| | | | |
| | | | |
| | | | |
| | | | |
| | | | |
| | | | |
| | | | |
| | | | |

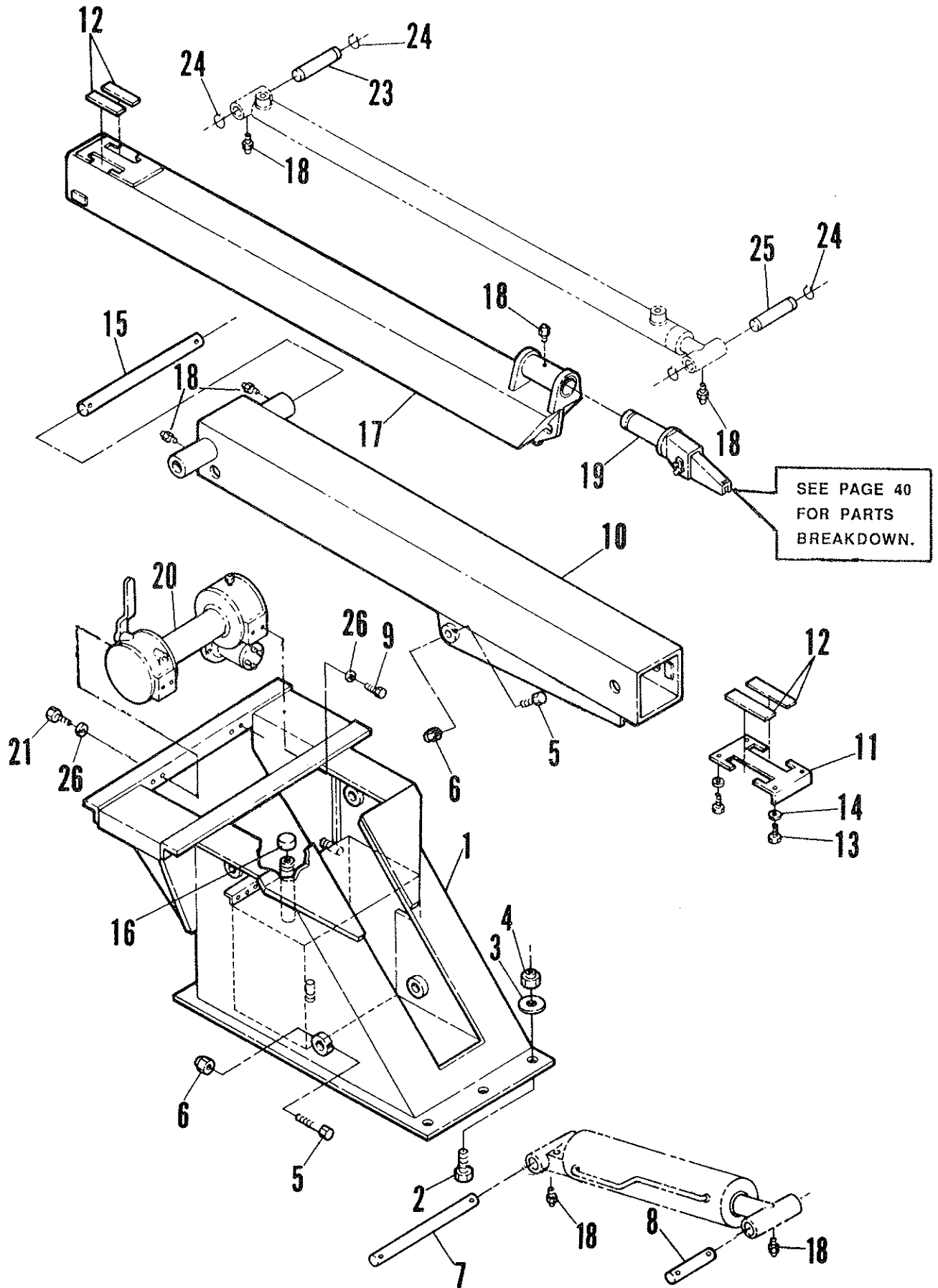
Section VI - PARTS SUPER SIX HYDRAULICS



Section VI - PARTS SUPER SIX HYDRAULICS

| REF. NO. | NO. REQ'D. | PART NUMBER | DESCRIPTION |
|----------|------------|-------------|--|
| 1 | 1 | 0300136 | OIL FILTER ASS'Y |
| 2 | 1 | 0300135 | FILTER REPLACEMENT CARTRIDGE |
| 3 | 2 | 0300288 | STREET ELBOW, 3/4" NPT |
| 4 | 2 | 0300055 | HOSE BARB, 3/4" HOSE-3/4" NPT |
| 5 | 2 | 0300071 | HOSE CLAMP, 1" |
| 6 | 1 | 0301387 | TEE, 3/4" FEM. NPT |
| 7 | 2 | 0300041 | CONNECTOR, 1/2" S.A.E. X 1/2" J.I.C. |
| 8 | 1 | 0301375 | ELBOW, 3/4" SAE MALE X 3/4" NPT. FEM. 90° |
| 9 | 1 | 0301415 | VALVE, 2 SPOOL |
| 10 | 1 | 0300010 | VALVE, 3 SPOOL |
| 11 | 2 | 0300052 | ELBOW, 5/8" SAE MALE X 1/2" J.I.C. MALE 90° |
| 12 | 1 | 0300165 | HIGH PRESSURE HOSE |
| 13 | 1 | 0300814 | ELBOW, 3/4" SAE X 1/2" J.I.C. MALE 90° |
| 14 | 1 | 0301790 | HOSE, 1/2" J.I.C. X 1/2" J.I.C. 90° X 17" LG. |
| 15 | 1 | 0301881 | CONNECTOR, 3/4" NPT MALE X 1/2" J.I.C. MALE STR. |
| 16 | 7 | 0300044 | CONNECTOR, 1/2" S.A.E. "O" RING X 3/8" J.I.C.M |
| 17 | 1 | 0301388 | ELBOW, 1/2" SAE "O" RING M X 1/2" J.I.C.M 90° |
| 18 | 1 | 0301471 | HOSE, 1/2" J.I.C. X 1/2" J.I.C. 90° X 30" LG. |
| 19 | 2 | 0301784 | HOSE, LIFT CYL. |
| 20 | 1 | 0300286 | ADAPTOR, H.P.C.O. |
| 21 | 1 | 0301756 | BOOM LIFT CYL. |
| 22 | 2 | 0301207 | HOSE, WINCH MOTOR |
| 23 | 2 | 0300229 | ELBOW, 1/2" |
| 24 | 1 | 0300090 | MOTOR, HYDRAULIC |
| 25 | 2 | 0400177 | SCREW, 1/2"-13 X 1 1/4" LG. HEX. HD. CAP. GR. 5 |
| 26 | 1 | 0300057 | RETURN HOSE, 3/4" I.D. X 47" LG. |
| 27 | 1 | 0300124 | GROMMET, SPLIT |
| 28 | 6 | 0400140 | SCREW, 3/8"-16 X 4" LG. HEX. HD. CAP. GR. 5 |
| 29 | 10 | 0400392 | NUT, 3/8"-16 NYLON LOCK |
| 30 | 1 | 0703896 | VALVE MOUNTING CHANNEL |
| 31 | 1 | 0301899 | NIPPLE, 3.4" X 5" LG. NPT |
| 32 | 4 | 0400126 | SCREW, 3/8"-16 NC X 1" GR. 5 PL. |
| 33 | 1 | 0301470 | ELBOW, 1/2" SAE X 3/8" JIC, 90° |
| 34 | 1 | 0301696 | ELBOW, 3/8" JIC MALE X 3/8" JIC FEMALE 90° |
| | | | |
| | | | |
| | | | |
| | | | |
| | | | |
| | | | |
| | | | |
| | | | |

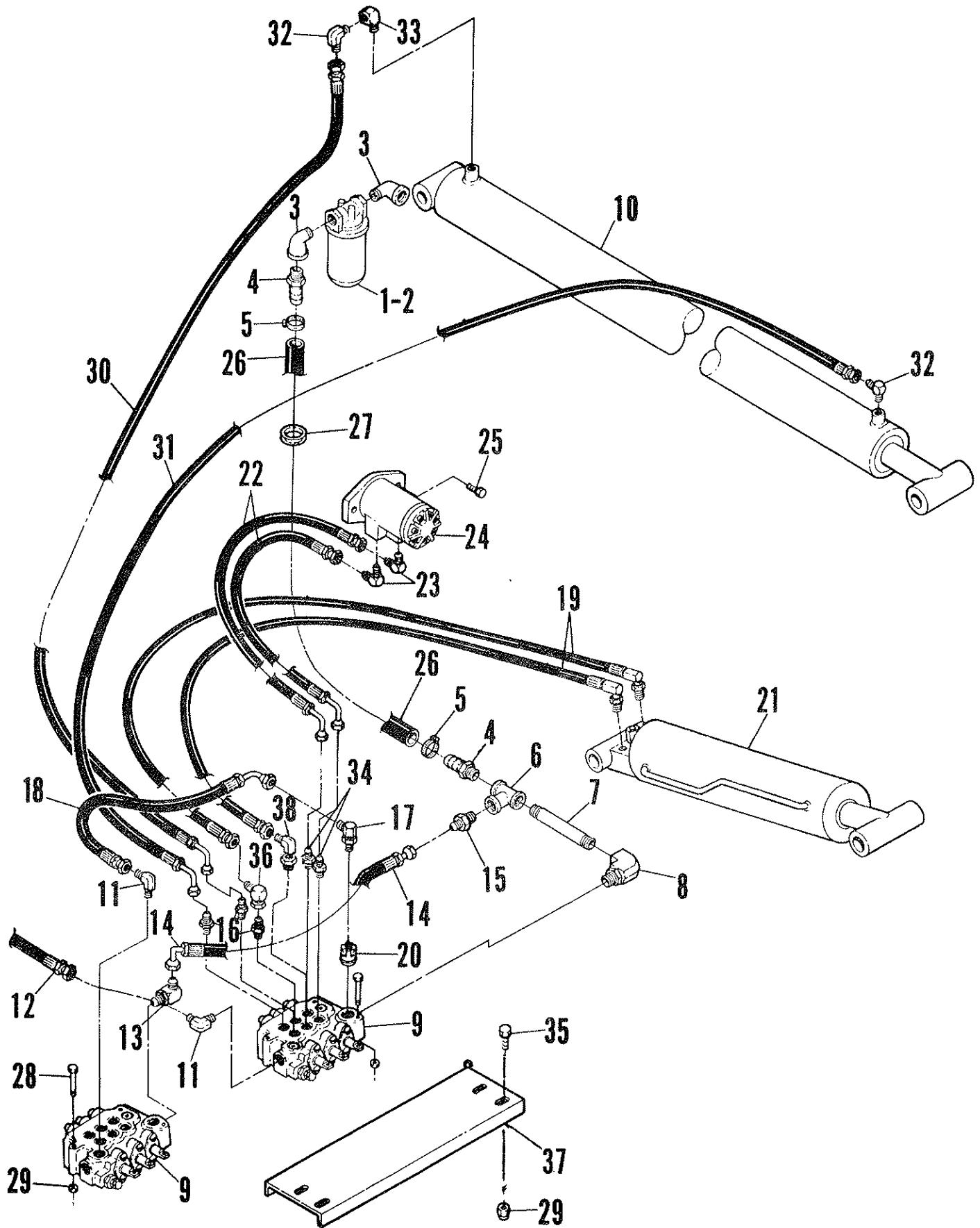
Section VI-PARTS 501 - FI WRECKER



Section VI - PARTS 501 - FI WRECKER

| REF. NO. | NO. REQ'D. | PART NUMBER | DESCRIPTION |
|----------|------------|-------------|--|
| 1 | 1 | 0800948 | WRECKER FRAME WELDMENT |
| 2 | 9 | 0400260 | SCREW, 5/8"-11 X 2" LG. HEX. HD. CAP, GR. 5 |
| 3 | 9 | 0400506 | WASHER, 5/8" FLAT |
| 4 | 9 | 0400421 | NUT, 5/8"-11 NYLON LOCK |
| 5 | 3 | 0400133 | SCREW, 3/8"-16 X 3" LG, HEX, HD, CAP, GR. 5 PL |
| 6 | 3 | 0400392 | NUT, 3/8"-16 NYLON LOCK |
| 7 | 1 | 0703097 | SHAFT, LOWER LIFT CYLINDER |
| 8 | 1 | 0703092 | SHAFT, UPPER LIFT CYLINDER |
| 9 | 1 | 0400121 | SCREW, 3/8"-16 NC X 3/4" LG. HEX. HD. CAP |
| 10 | 1 | 0800943 | OUTER BOOM WELDMENT |
| 11 | 1 | 0703093 | RETAINER, SLIDE PAD |
| 12 | 4 | 0300679 | SLIDE PAD, NYLATRON |
| 13 | 4 | 0400060 | SCREW, 1/4"-20 X 1/2 LG, HEX, HD, CAP, GR. 2 |
| 14 | 4 | 0400452 | WASHER, 1/4" LOCK |
| 15 | 1 | 0703096 | BOOM PIVOT SHAFT |
| 16 | 1 | 0703109 | FILLER PIPE CAP |
| 17 | 1 | 0800941 | INNER BOOM WELDMENT |
| 18 | 6 | 0300113 | GREASE FITTING, STR. |
| 19 | 1 | 0900007 | BOOM END SWIVEL ASS'Y |
| 20 | 1 | 0300251 | WINCH |
| 21 | 6 | 0400122 | SCREW, 3/8"-16 NC X 1-1/4" LG. HEX. HD. CAP |
| 22 | 8 | 0400482 | WASHER, 3/8" LOCK |
| 23 | 1 | 0703137 | SHAFT, EXT. CYL. BASE END |
| 24 | 4 | 0300110 | SNAP RING |
| 25 | 1 | 0703082 | SHAFT, EXT. CYL. ROD END |
| 26 | 8 | 0400482 | WASHER, 3/8" LOCK |
| | | | |
| | | | |
| | | | |
| | | | |
| | | | |
| | | | |
| | | | |
| | | | |
| | | | |
| | | | |
| | | | |
| | | | |
| | | | |
| | | | |
| | | | |
| | | | |
| | | | |
| | | | |

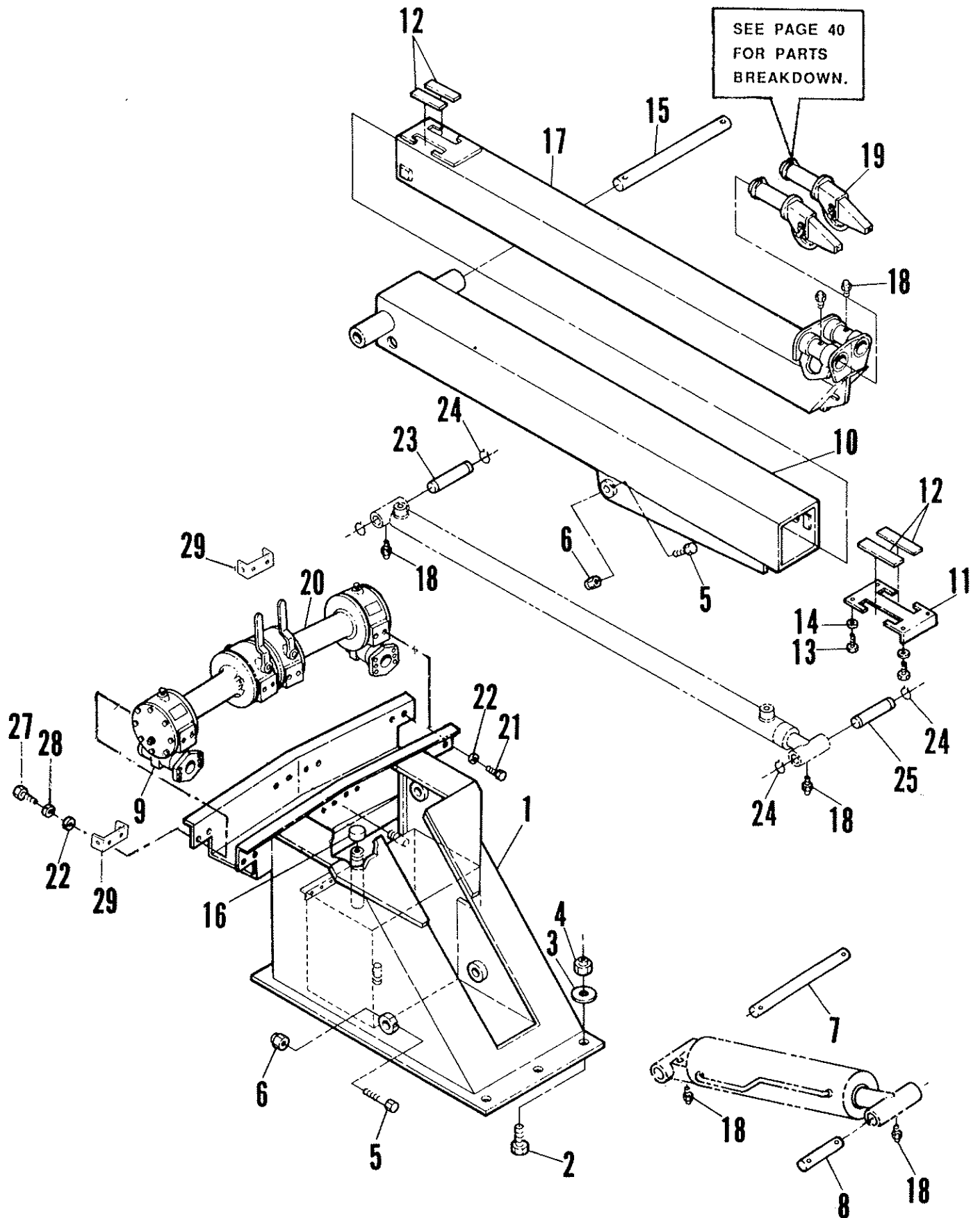
Section VI - 501 - FI HYDRAULICS



Section VI - 501 - FI HYDRAULICS

| REF. NO. | NO. REQ'D. | PART NUMBER | DESCRIPTION |
|----------|------------|-------------|--|
| 1 | 1 | 0300136 | OIL FILTER ASS'Y |
| 2 | 1 | 0300135 | FILTER REPLACEMENT CARTRIDGE |
| 3 | 2 | 0300288 | STREET ELBOW, 3/4" NPT |
| 4 | 2 | 0300055 | HOSE BARB, 3/4" HOSE-3/4" NPT |
| 5 | 2 | 0300071 | HOSE CLAMP, 1" |
| 6 | 1 | 0301387 | TEE, 3/4" FEM. NPT |
| 7 | 1 | 0301899 | NIPPLE, 3/4" X 5" LG. NPT |
| 8 | 1 | 0301375 | ELBOW, 3/4" SAE MALE X 3/4" NPT. FEM. 90° |
| 9 | 2 | 0300010 | VALVE, 3 SPOOL |
| 10 | 1 | 0301755 | BOOM EXTEND CYL. |
| 11 | 2 | 0300052 | ELBOW, 3/8" SAE MALE X 1/2" J.I.C. MALE 90° |
| 12 | 1 | 0300165 | HIGH PRESSURE HOSE |
| 13 | 1 | 0300814 | ELBOW, 3/4" SAE X 1/2" J.I.C. MALE 90° |
| 14 | 1 | 0301790 | HOSE, 1/2" J.I.C. X 1/2" J.I.C. 90° X 17" LG. |
| 15 | 1 | 0301881 | CONNECTOR, 3/4" NPT MALE X 1/2" J.I.C. MALE STR. |
| 16 | 3 | 0300044 | CONNECTOR, 1/2" S.A.E. "O" RING X 3/8" J.I.C.M |
| 17 | 1 | 0301388 | ELBOW, 1/2" SAE "O" RING M X 1/2" J.I.C.M 90° |
| 18 | 1 | 0301471 | HOSE, 1/2" J.I.C. X 1/2" J.I.C. 90° X 30" LG. |
| 19 | 2 | 0301784 | HOSE, LIFT CYL. |
| 20 | 1 | 0300286 | ADAPTOR, H.P.C.O. |
| 21 | 1 | 0301756 | BOOM LIFT CYL. |
| 22 | 2 | 0301207 | HOSE, WINCH MOTOR |
| 23 | 2 | 0300229 | ELBOW, 1/2" |
| 24 | 1 | 0300090 | MOTOR, HYDRAULIC |
| 25 | 2 | 0400177 | SCREW, 1/2"-13 X 1 1/4" LG. HEX. HD. CAP. GR. 5 |
| 26 | 1 | 0300057 | RETURN HOSE, 3/4" I.D. X 47" LG. |
| 27 | 1 | 0300124 | GROMMET, SPLIT |
| 28 | 6 | 0400140 | SCREW, 3/8"-16 X 4" LG. HEX. HD. CAP. GR. 5 |
| 29 | 10 | 0400392 | NUT, 3/8"-16 NYLON LOCK |
| 30 | 1 | 0301964 | HOSE, 3/8" J.I.C. X 3/8" J.I.C. 90° x 62" LG. |
| 31 | 1 | 0301965 | HOSE, 3/8" J.I.C. X 3/8" J.I.C. 90° X 128" LG. |
| 32 | 2 | 0300142 | ELBOW, 1/4" NPT MALE X 3/8" J.I.C. MALE 90° |
| 33 | 1 | 0300147 | STREET ELBOW, 1/4" NPT FEM. X 1/4" NPT. MALE |
| 34 | 2 | 0300041 | CONNECTOR, 1/2" S.A.E. "O" RING x 1/2" J.I.C. |
| 35 | 4 | 0400126 | SCREW, 3/8"-16 NC X 1" GR. 5 CAP |
| 36 | 1 | 0301696 | ELBOW, 90° |
| 37 | 1 | 0703896 | VALVE MOUNTING CHANNEL |
| 38 | 1 | 0301470 | ELBOW, 1/2" SAE X 3/8" JIC 90° |

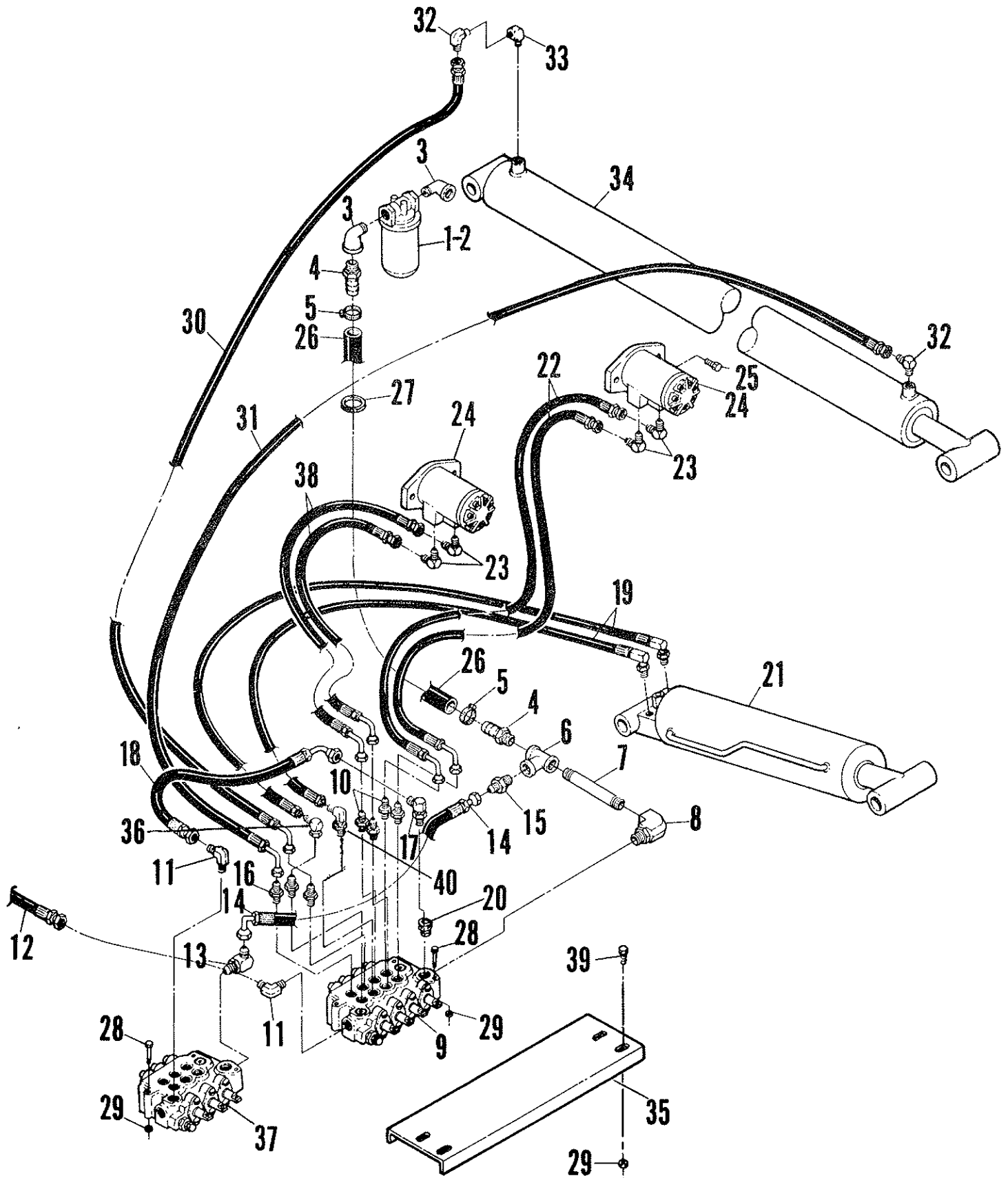
Section VI - PARTS 502 - FI WRECKER



Section VI - PARTS 502 - FI WRECKER

| REF. NO. | NO. REQ'D. | PART NUMBER | DESCRIPTION |
|----------|------------|-------------|---|
| 1 | 1 | 0800947 | WRECKER FRAME WELDMNT |
| 2 | 9 | 0400260 | SCREW, 5/8"-11 X 2" LG. HEX. HD. CAP. GR. 5 |
| 3 | 9 | 0400506 | WASHER, 5/8" FLAT |
| 4 | 9 | 0400421 | NUT, 5/8"-11 NYLON LOCK |
| 5 | 3 | 0400133 | SCREW, 3/8"-16 X 3" LG. HEX. HD. CAP. GR. 5 PL. |
| 6 | 3 | 0400392 | NUT, 3/8"-16 NYLON LOCK |
| 7 | 1 | 0703097 | SHAFT, LOWER LIFT CYL. |
| 8 | 1 | 0703092 | SHAFT, UPPER LIFT CYL. |
| 9 | 1 | 0300251 | WINCH ASS'Y., LEFT |
| 10 | 1 | 0800943 | OUTER BOOM WELDMNT |
| 11 | 1 | 0703093 | RETAINER, SLIDE PAD |
| 12 | 4 | 0300679 | SLIDE PAD, NYLATRON |
| 13 | 4 | 0400060 | SCREW, 1/4"-20 X 1/2" LG. HEX. HD. CAP, GR. 2 |
| 14 | 4 | 0400452 | WASHER, 1/4" LOCK |
| 15 | 1 | 0703096 | BOOM PIVOT SHAFT |
| 16 | 1 | 0703109 | FILLER PIPE CAP |
| 17 | 1 | 0800942 | INNER BOOM WELDMNT |
| 18 | 8 | 0300113 | GREASE FITTING, STR. |
| 19 | 2 | 0900007 | BOOM ENDSWIVEL ASS'Y |
| 20 | 1 | 0300250 | WINCH ASS'Y RIGHT REAR, ROUND SHAFT |
| 21 | 2 | 0400121 | SCREW, 3/8"-16 NC X 3/4" LG. HEX. HD. CAP |
| 22 | 16 | 0400482 | WASHER, 3/8" LOCK |
| 23 | 1 | 0703137 | SHAFT, EXT. CYL. BASE END |
| 24 | 4 | 0300110 | SNAP RING |
| 25 | 1 | 0703082 | SHAFT, EXT. CYL. ROD END |
| 26 | 12 | 0400122 | SCREW, 3/8"-16 NC X 1-1/4" LG. HEX. HD. CAP |
| 27 | 2 | 0400150 | SCREW, 3/8"-16 NC X 2-1/2" LG. HEX. HD. CAP |
| 28 | 2 | 0400393 | JAM NUT, 3/8"-16 NC HEX. |
| 29 | 2 | 0702408 | MOUNTING CHANNEL (SEE PAGE 45 FOR WINCH CLUTCH CONTROL BREAKDOWN) |
| | | | |
| | | | |
| | | | |
| | | | |
| | | | |
| | | | |
| | | | |
| | | | |
| | | | |

Section VI - PARTS 502 - FI HYDRAULICS

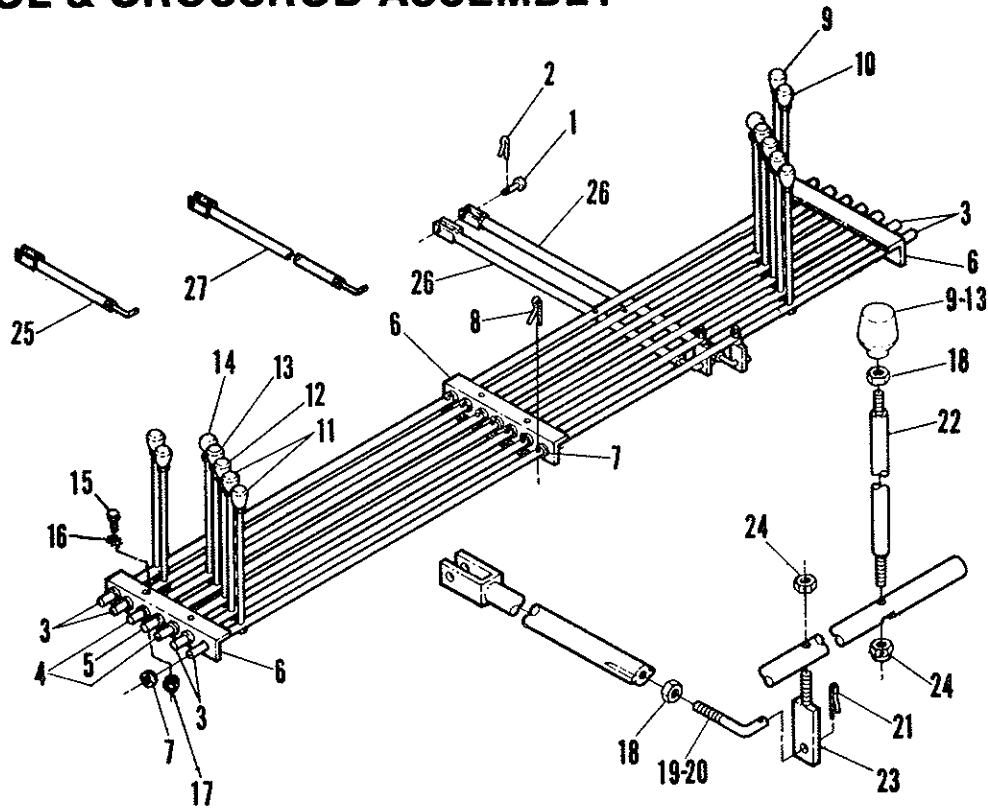


Section VI - PARTS 502 - FI HYDRAULICS

| REF. NO. | NO. REQ'D. | PART NUMBER | DESCRIPTION |
|----------|------------|-------------|---|
| 1 | 1 | 0300136 | OIL FILTER ASS'Y |
| 2 | 1 | 0300135 | FILTER REPLACEMENT CARTRIDGE |
| 3 | 2 | 0300288 | STREET ELBOW, 3/4" NPT |
| 4 | 2 | 0300055 | HOSE BARB, 3/4" HOSE - 3/4" NPT |
| 5 | 2 | 0300071 | HOSE CLAMP, 1" |
| 6 | 1 | 0301387 | TEE, 3/4" FEM, NPT |
| 7 | 1 | 0301899 | NIPPLE, 3/4" x 5" LG. NPT |
| 8 | 1 | 0301375 | ELBOW, 3/4" SAE MALE x 3/4" NPT FEM 90° |
| 9 | 1 | 0300011 | VALVE, 4 SPOOL |
| 10 | 4 | 0300041 | CONNECTOR, 1/2" S.A.E. "O" RING x 1/2" J.I.C. |
| 11 | 2 | 0300052 | ELBOW, 3/8" SAE MALE x 1/2" J.I.C. MALE 90° |
| 12 | 1 | 0300165 | HIGH PRESSURE HOSE |
| 13 | 1 | 0300814 | ELBOW, 3/4" SAE x 1/2" J.I.C. MALE 90° |
| 14 | 1 | 0301790 | HOSE, 1/2" J.I.C. x 1/2" J.I.C. 90° x 17" LG. |
| 15 | 1 | 0301881 | CONNECTOR, 3/4" NPT MALE 1/2" J.I.C. MALE STR. |
| 16 | 3 | 0300044 | CONNECTOR, 1/2" S.A.E. "O" RING x 3/8" J.I.C. M |
| 17 | 1 | 0301388 | ELBOW, 1/2" SAE "O" RING M x 1/2" J.I.C. M 90° |
| 18 | 1 | 0301471 | HOSE, 1/2" J.I.C. x 1/2" J.I.C. 90° x 30" LG. |
| 19 | 2 | 0301784 | HOSE, LIFT CYLINDER |
| 20 | 1 | 0300286 | ADAPTOR, H.P.C.O. |
| 21 | 1 | 0301756 | BOOM LIFT CYLINDER |
| 22 | 2 | 0301207 | HOSE, WINCH MOTOR |
| 23 | 4 | 0300229 | ELBOW, 1/2" |
| 24 | 2 | 0300090 | MOTOR, HYDRAULIC |
| 25 | 4 | 0400177 | SCREW, 1/2"-13 x 1 1/4" LG. HEX, HD, CAP, GR. 5 |
| 26 | 1 | 0300057 | RETURN HOSE, 3/4" I.D. x 47" LG. |
| 27 | 1 | 0300124 | GROMMET, SPLIT |
| 28 | 6 | 0400140 | SCREW, 3/8"-16 x 4" LG. HEX, HD, CAP, GR. 5 |
| 29 | 10 | 0400392 | NUT, 3/8"-16 NYLON LOCK |
| 30 | 1 | 0301964 | HOSE, 3/8" J.I.C. x 3/8" J.I.C. 90° x 62" LG. |
| 31 | 1 | 0301965 | HOSE, 3/8" J.I.C. x 3/8" J.I.C. 90° x 128" LG. |
| 32 | 1 | 0300142 | ELBOW, 1/4" NPT MALE x 3/8" J.I.C. 90° |
| 33 | 1 | 0300147 | STREET ELBOW, 1/2" NPT FEM. x 1/2" NPT MALE |
| 34 | 1 | 0301755 | BOOM EXTEND CYLINDER |
| 35 | 1 | 0703896 | VALVE MOUNTING CHANNEL |
| 36 | 1 | 0301696 | ELBOW, 3/8" J.I.C. (MALE) X 3/8" J.I.C. (FEMALE), 90° |
| 37 | 1 | 0300010 | VALVE, 3-SPOOL |
| 38 | 2 | 0301893 | WINCH MOTOR HOSE L.H. |
| 39 | 4 | 0400126 | SCREW, 3/8"-16 NC X 1" LG. GR. 5 PL. CAP |
| 40 | 1 | 0301470 | ELBOW, 1/2" SAE X 3/8" J.I.C. 90° |

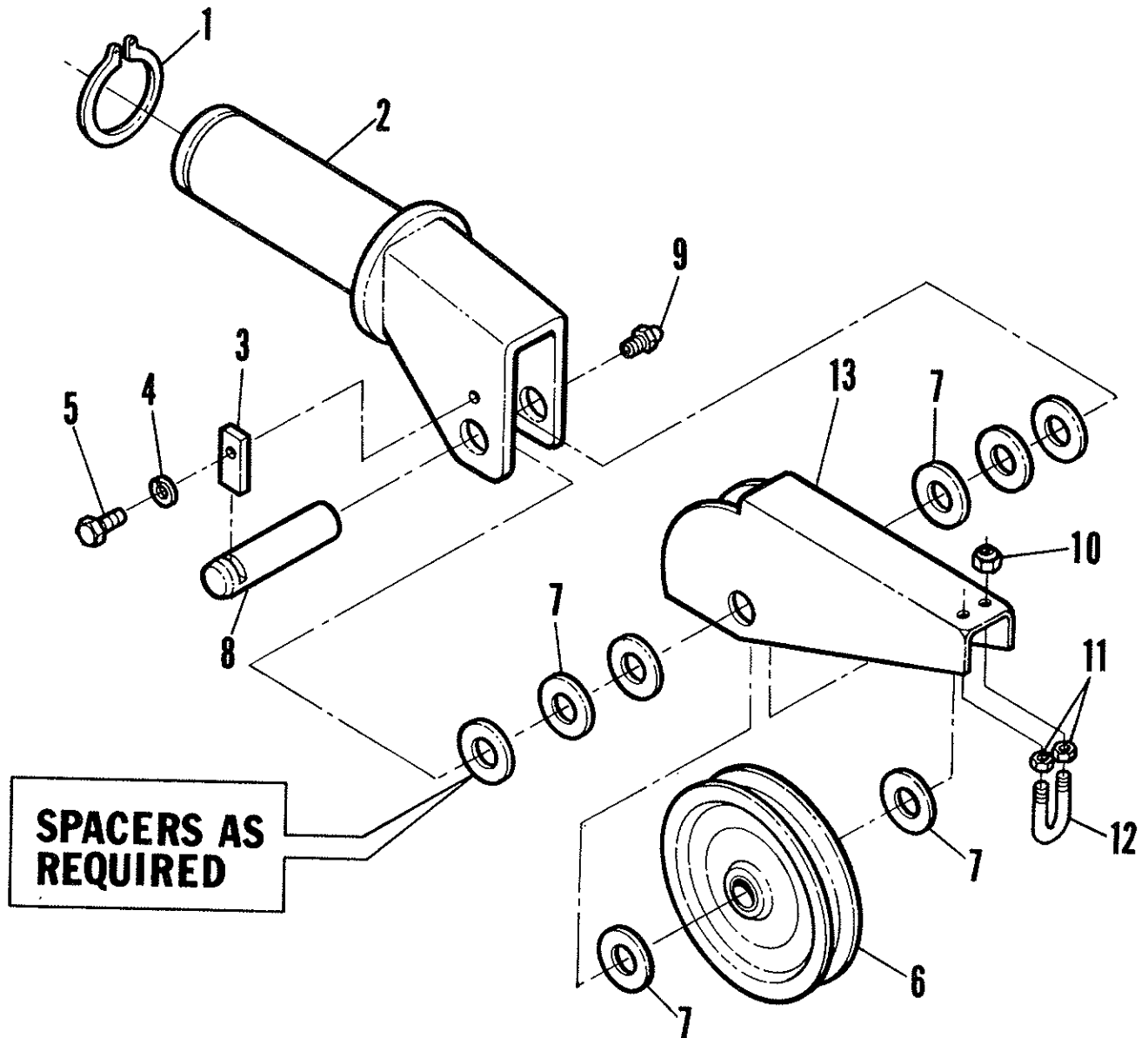
Section VI - PARTS

CONTROL & CROSSROD ASSEMBLY



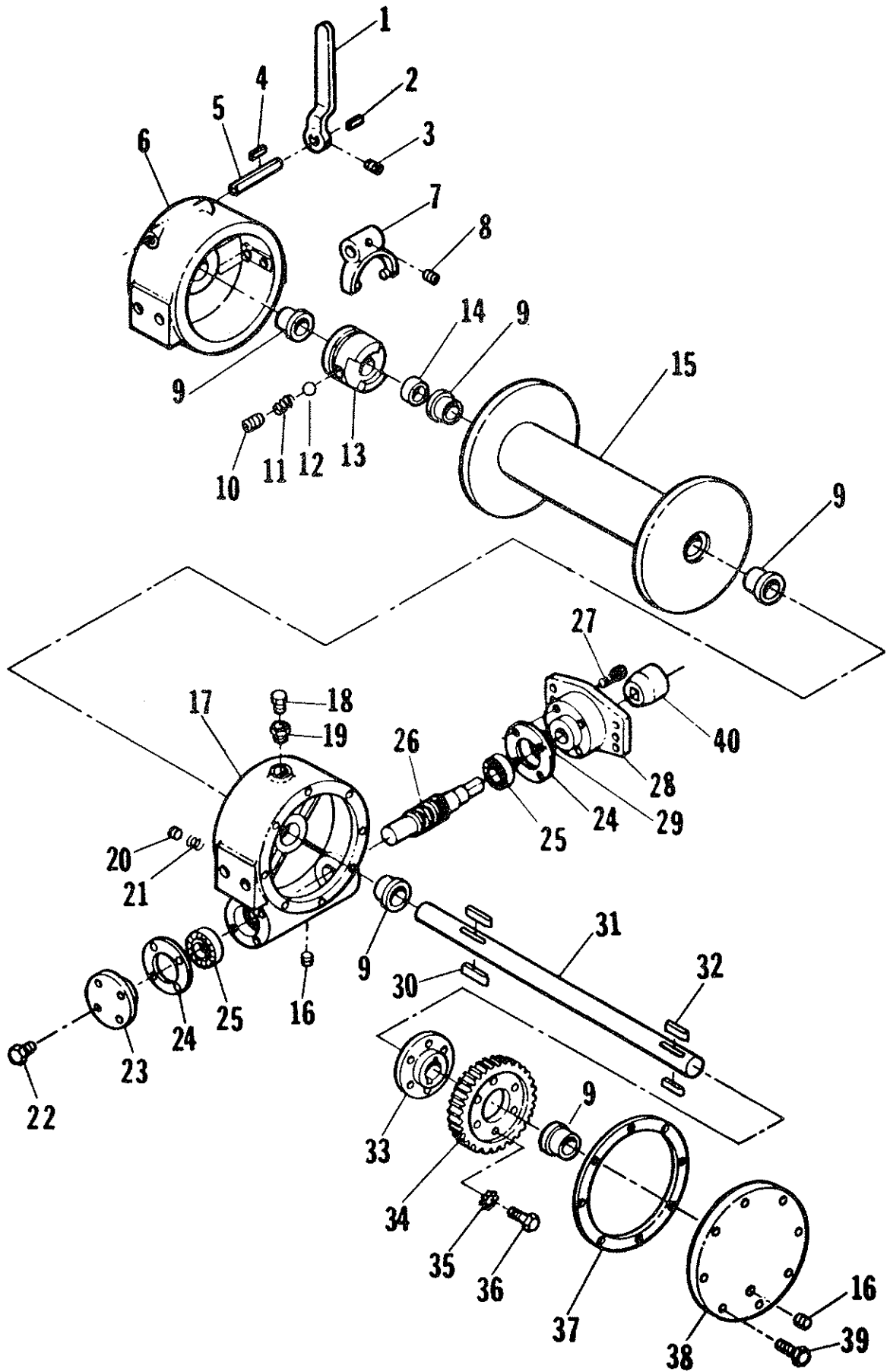
| REF. NO. | NO. REQ'D. | PART NUMBER | DESCRIPTION |
|----------|------------|-------------|-------------------------------------|
| 1 | 7 | 0400532 | CLEVIS PIN, 5/16" X 1" |
| 2 | 7 | 0400541 | COTTER PIN, 1/16" X 3/4" |
| 3 | 4 | 0703523 | CROSSROD —WRECKER |
| 4 | 2 | 0703521 | CROSSROD—W/L |
| 5 | 1 | 0703522 | CROSSROD-W/L |
| 6 | 3 | 0703501 | ANGLE, CROSS CONTROL |
| 7 | 21 | 0300122 | GROMMET, SPLIT PLASTIC |
| 8 | 14 | 0400539 | COTTER PIN, 3/16" X 1-1/2" |
| 9 | 2 | 0300837 | KNOB, WRECKER BOOM "IN-OUT" (BLACK) |
| 10 | 2 | 0300835 | KNOB, WRECKER BOOM "UP-DN" (BLACK) |
| 11 | 2 | 0300834 | KNOB, CABLE "IN-OUT" (RED) |
| 12 | 2 | 0301428 | KNOB, W/L "UP—DN" (GREY) |
| 13 | 2 | 0301429 | KNOB, W/L "IN—OUT" (GREY) |
| 14 | 2 | 0301720 | KNOB, W/L "TILT" (ROUND BLACK) |
| 15 | 6 | 0400126 | SCREW, 3/8"-16 X 1" LG. HEX. HEAD |
| 16 | 6 | 0400481 | LOCKWASHER, 3/8" EXTERNAL TOOTH |
| 17 | 6 | 0400392 | NUT, 3/8"-16 NYLON LOCK |
| 18 | 21 | 0400393 | NUT, 3/8"-16 JAM |
| 19 | -- | 0701099 | EXTENSION, CONTROL ROD LONG |
| 20 | -- | 0701927 | EXTENSION, CONTROL ROD SHORT |
| 21 | 7 | 0400543 | COTTER PIN, 1/8" X 3/4" |
| 22 | 14 | 0701929 | LEVER, CONTROL |
| 23 | 7 | 0800604 | ARM, CROSS CONTROL |
| 24 | 21 | 0400390 | NUT, 3/8"-16 JAM ESLOK |
| 25 | -- | 0800612 | CONTROL ROD SHORT |
| 26 | -- | 0800613 | CONTROL ROD LONG |
| 27 | -- | 0800955 | CONTROL ROD MED. |

Section VI - PARTS BOOM END ASSEMBLY



| REF. NO. | NO. REQ'D. | PART NUMBER | DESCRIPTION |
|----------|------------|-------------|--|
| 1 | 1 | 0300108 | SNAP RING, 2-1/2" DIA., EXT. |
| 2 | 1 | 0800003 | BOOM END SWIVEL |
| 3 | 1 | 0700032 | SHAFT RETAINER |
| 4 | 1 | 0400452 | 1/4" LOCKWASHER |
| 5 | 1 | 0400060 | 1/4"-20 NC X 1/2" HEX. HD. CAP SCREW GR. 5 |
| 6 | 1 | 0300022 | 6" SHEAVE |
| 7 | 2 | 0700166 | WASHER - SPACER |
| 8 | 1 | 0700056 | SHAFT |
| 9 | 1 | 0300113 | GREASE FITTING |
| 10 | 2 | 0400392 | 3/8"-16 NC HEX. NYLOC NUT |
| 11 | 2 | 0400393 | 3/8"-16 NC HEX. JAM NUT |
| 12 | 1 | 0301531 | "U" BOLT (FROM 3/8" CABLE CLAMP) |
| 13 | 1 | 0800735 | CABLE GUIDE |

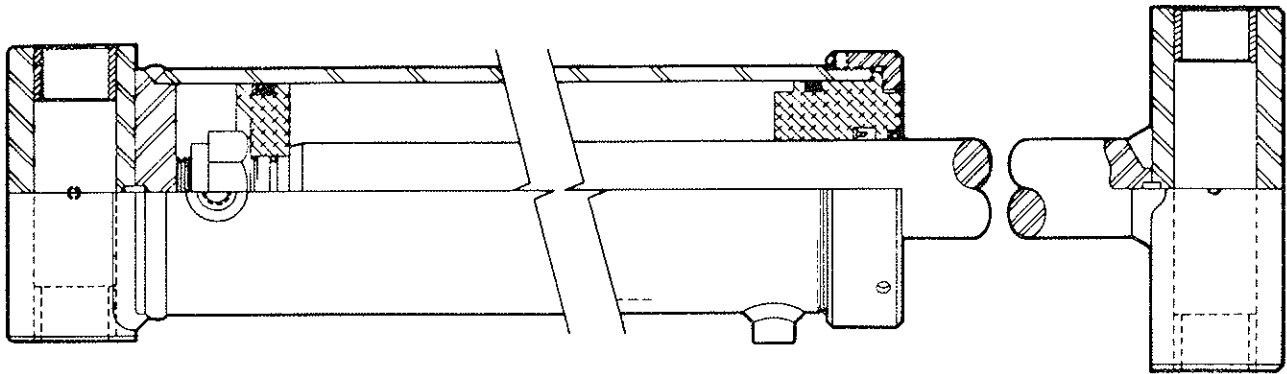
Section VI - PARTS HYDRAULIC WINCH



Section VI - PARTS HYDRAULIC WINCH

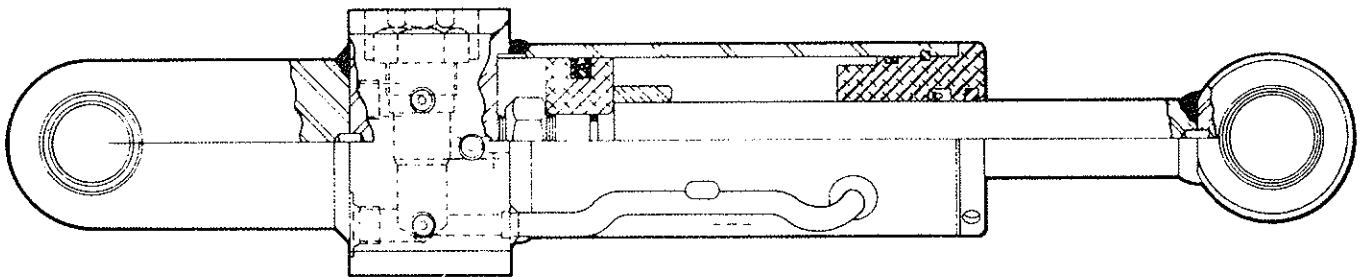
| REF. NO. | NO. REQ'D. | PART NUMBER | DESCRIPTION |
|----------|------------|-------------|---|
| 1 | 1 | 0300261 | LEVER |
| 2 | 1 | 0300448 | KEY |
| 3 | 1 | 0300449 | SCREW |
| 4 | 1 | 0300450 | KEY |
| 5 | 1 | 0300451 | SHAFT |
| 6 | 1 | 0300452 | CLUTCH HOUSING |
| 7 | 1 | 0300398 | YOKE |
| 8 | 1 | 0300399 | SCREW |
| 9 | 5 | 0300453 | BUSHING |
| 10 | 1 | 0300454 | SCREW |
| 11 | 1 | 0300455 | SPRING |
| 12 | 1 | 0300456 | BALL |
| 13* | 1 | — — | CLUTCH |
| 14 | 1 | 0300458 | SPACER |
| 15 | 1 | 0300381 | DRUM |
| 16 | 2 | 0300459 | PLUG |
| 17 | 1 | 0300460 | HOUSING |
| 18 | 1 | 0300461 | PLUG |
| 19 | 1 | 0300462 | REDUCER |
| 20 | 1 | 0300463 | DRAG BRAKE |
| 21 | 1 | 0300464 | SPRING |
| 22 | 16 | 0300465 | SCREW |
| 23 | 1 | 0300466 | CAP |
| 24 | 2 | 0300447 | GASKET |
| 25 | 2 | 0300467 | BEARING |
| 26 | 1 | 0300468 | WORM |
| 27 | 1 | 0300695 | SCREW |
| 28 | 1 | 0300694 | CAP ADAPTER |
| 29 | 1 | 0300471 | SEAL |
| 30* | 2 | — — | KEY |
| 31* | 1 | — — | SHAFT |
| 32* | 2 | — — | KEY |
| 33 | 1 | 0300472 | HUB |
| 34 | 1 | 0300473 | GEAR |
| 35 | 6 | 0300474 | WASHER |
| 36 | 6 | 0300475 | SCREW |
| 37 | 1 | 0300476 | GASKET |
| 38 | 1 | 0300477 | COVER |
| 39 | 4 | 0300569 | SCREW |
| 40 | 1 | 0300290 | COUPLING |
| | | | *When ordering specify winch serial number. |
| | | | |
| | | | |
| | | | |
| | | | |
| | | | |
| | | | |
| | | | |
| | | | |

Section VI - PARTS
FORMULA I - DUPLEX TILT WHEEL LIFT
HYDRAULIC CYLINDERS



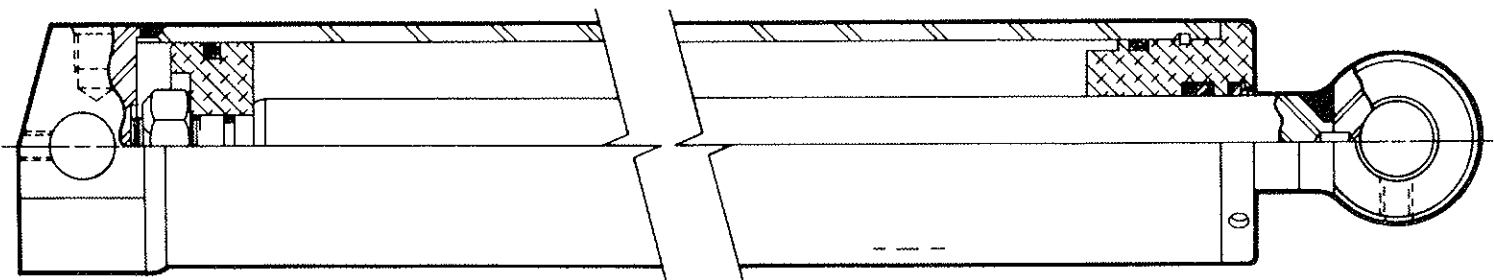
W/L LIFT CYLINDER

| REF. NO. | NO. REQ'D. | PART NUMBER | DESCRIPTION |
|----------|------------|-------------|-------------------------------------|
| 1 | 1 | 0301484 | HYDRAULIC CYLINDER, LIFT (COMPLETE) |
| 2 | 1 | 0304181 | SEAL KIT, LIFT CYLINDER |



W/L TILT CYLINDER

| REF. NO. | NO. REQ'D. | PART NUMBER | DESCRIPTION |
|----------|------------|-------------|---|
| 1 | 1 | 0301824 | HYDRAULIC CYLINDER, TILT (COMPLETE) L. H. |
| 2 | 1 | 0301823 | HYDRAULIC CYLINDER, TILT (COMPLETE) R. H. |
| 3 | 2 | 0304241 | SEAL KIT, TILT CYLINDER |

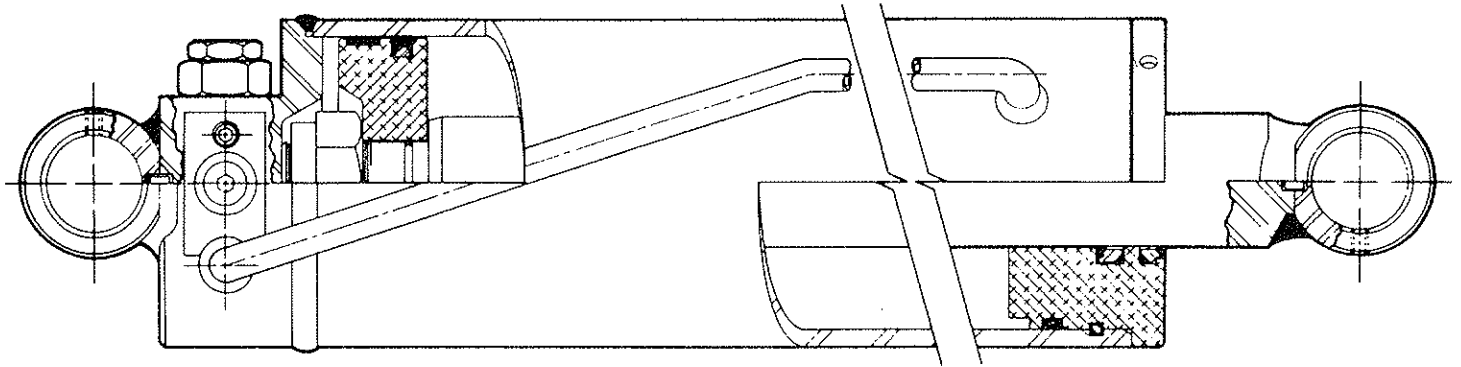


W/L EXTEND CYLINDER

| REF. NO. | NO. REQ'D. | PART NUMBER | DESCRIPTION |
|----------|------------|-------------|---------------------------------------|
| 1 | 1 | 0301825 | HYDRAULIC CYLINDER, EXTEND (COMPLETE) |
| 2 | 1 | 0304086 | SEAL KIT, EXTEND CYLINDER |

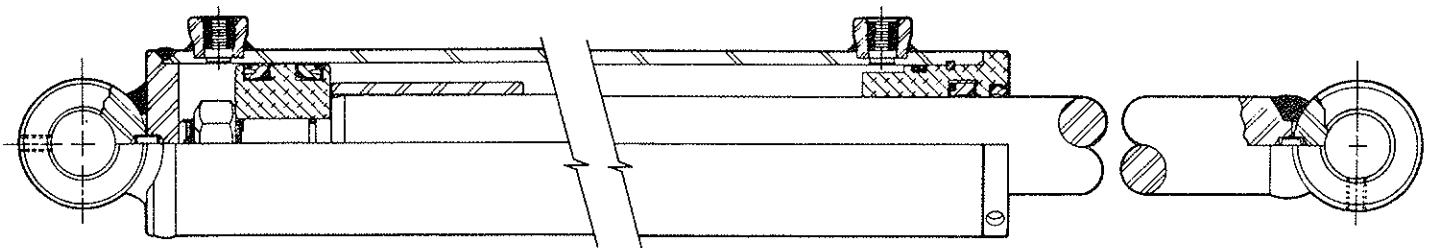
Section VI - PARTS

500 SERIES WRECKER HYDRAULIC CYLINDERS



BOOM LIFT CYLINDER

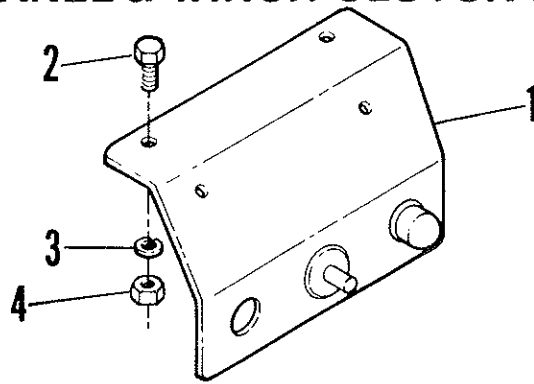
| REF. NO. | NO. REQ'D. | PART NUMBER | DESCRIPTION |
|----------|------------|-------------|-------------------------------------|
| 1 | 1 | 0301756 | HYDRAULIC CYLINDER, LIFT (COMPLETE) |
| 2 | 1 | 0304222 | SEAL KIT, LIFT CYLINDER |



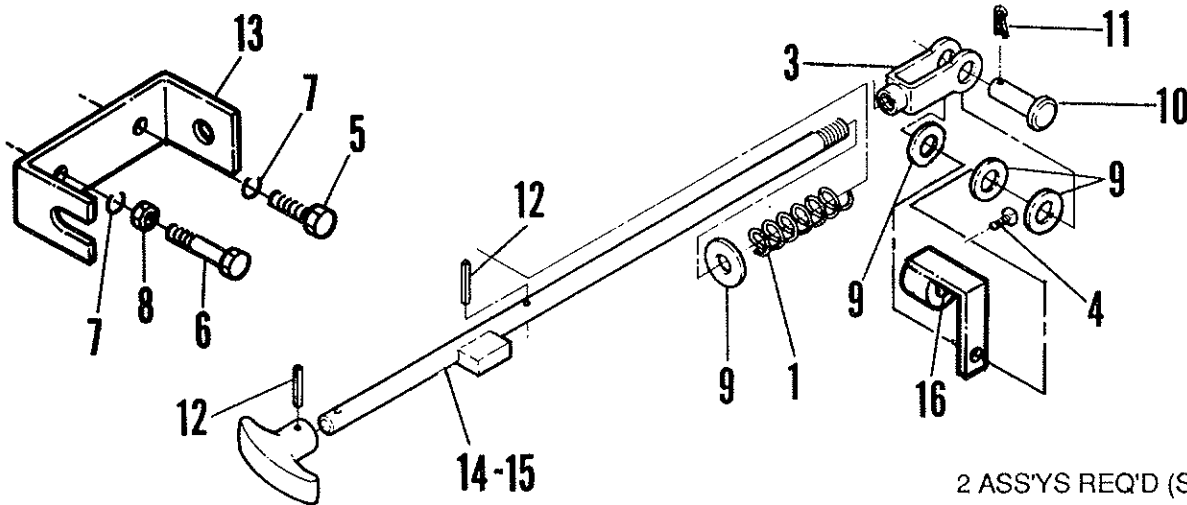
BOOM EXTEND CYLINDER

| REF. NO. | NO. REQ'D. | PART NUMBER | DESCRIPTION |
|----------|------------|-------------|---------------------------------------|
| 1 | 1 | 0301755 | HYDRAULIC CYLINDER, EXTEND (COMPLETE) |
| 2 | 1 | 0300624 | SEAL KIT, EXTEND CYLINDER |

Section VI - PARTS STANDARD PTO PANEL & WINCH CLUTCH CONTROL



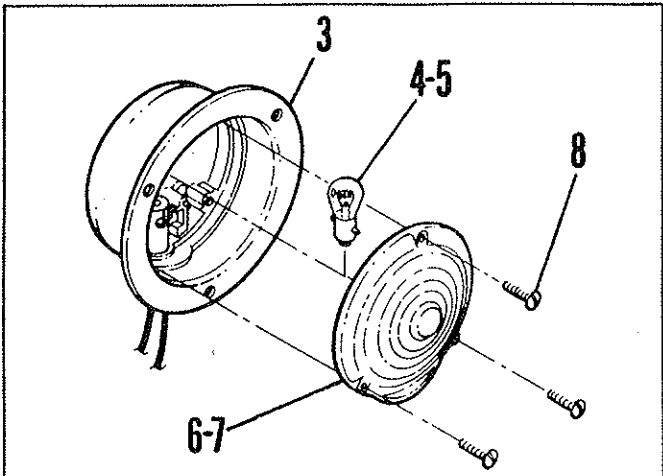
| REF. NO. | NO. REQ'D. | PART NUMBER | DESCRIPTION |
|----------|------------|-------------|-------------------------|
| 1 | 1 | 0301675 | PANEL (COMPLETE) |
| 2 | 2 | 0400061 | SCREW, 1/4" - 20 X 3/4" |
| 3 | 2 | 0400452 | LOCKWASHER, 1/4" |
| 4 | 2 | 0400366 | NUT, 1/4" - 20 HEX |



2 ASSYS REQ'D (SINGLE & DUAL)

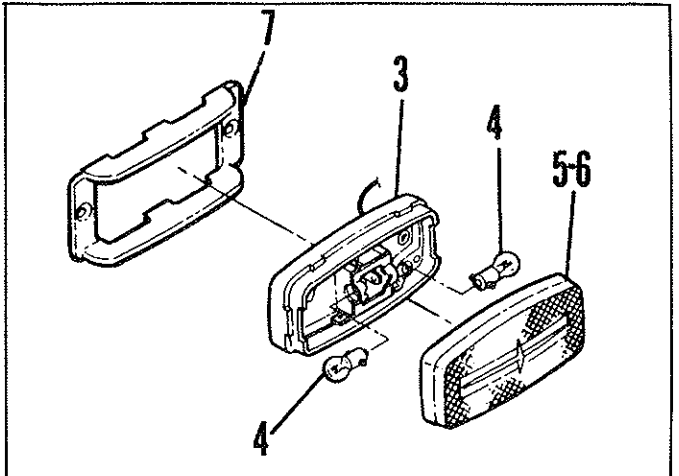
| REF. NO. | NO. REQ'D. | PART NUMBER | DESCRIPTION |
|----------|------------|-------------|---|
| 1 | 1 | 0300845 | SPRING, COMPRESSION |
| 2 | 1 | 0301532 | "T" HANDLE |
| 3 | 1 | 0301588 | ADJUSTING YOKE |
| 4 | 1 | 0400116 | SCREW, 5/16"-18 X 1/2" LG. SQ. HD. SET |
| 5 | 1 | 0400122 | SCREW, 3/8"-16 X 1-1/4" LG. HEX. HD. CAP (DUAL WINCH) |
| - | 1 | 0400126 | SCREW, 3/8"-16 X 1" LG. HEX. HD. CAP (SINGLE WINCH) |
| 6 | 1 | 0400150 | SCREW, 3/8"-16 X 2-1/2" LG. HEX. HD. CAP |
| 7 | 2 | 0400482 | WASHER, 3/8" LOCK |
| 8 | 1 | 0400393 | NUT, 3/8"-16 JAM |
| 9 | 4 | 0400492 | WASHER, 1/2" FLAT |
| 10 | 1 | 0400537 | PIN, 1/2" DIA. X 1-1/2" LG. CLEVIS |
| 11 | 1 | 0400546 | PIN, 1/8" X 1-1/4" LG. COTTER |
| 12 | 2 | 0400560 | PIN, 5/32" X 1" LG. ROLL |
| 13 | 1 | 0702408 | MOUNTING CHANNEL |
| 14 | 1 | 0800780 | CONTROL ROD, SINGLE WINCH |
| 15 | 1 | 0800781 | CONTROL ROD, DUAL WINCH |
| 16 | 1 | 0800779 | WELDMENT, BELL CRANK |

Section VI - PARTS - LIGHT KIT



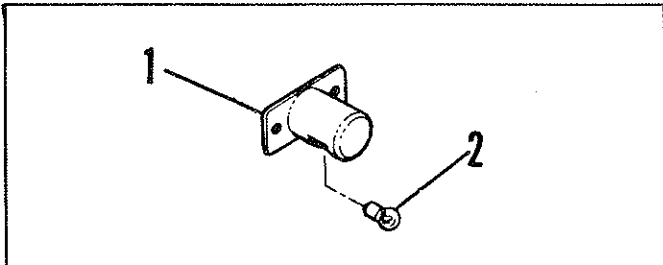
STOP & TURN/BACK-UP LIGHTS

- | | |
|----------------------------------|---------|
| 1. LIGHT, STOP & TURN (COMPLETE) | 0300501 |
| 2. LIGHT, BACK-UP (COMPLETE) | 0300505 |
| 3. HOUSING | 0300497 |
| 4. BULB, STOP & TURN | 0300498 |
| 5. BULB, BACK-UP | 0300503 |
| 6. LENS, STOP & TURN (RED) | 0300499 |
| 7. LENS, BACK-UP (CLEAR) | 0300504 |
| 8. SCREW, LENS | 0300500 |



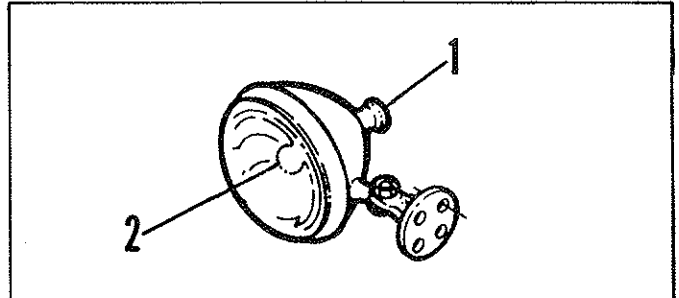
MARKER LIGHTS - RED & AMBER

- | | |
|---------------------------------|---------|
| 1. LIGHT, RED MARKER (COMPLETE) | 0300427 |
| 2. LIGHT, AMBER MARKER (CPL) | 0300428 |
| 3. HOUSING, MARKER LIGHT | 0300506 |
| 4. BULB, MARKER LIGHT | 0300507 |
| 5. LENS, RED MARKER | 0300508 |
| 6. LENS, AMBER MARKER | 0300510 |
| 7. GUARD, MARKER LIGHT | 0300242 |



LICENSE PLATE ILLUMINATOR

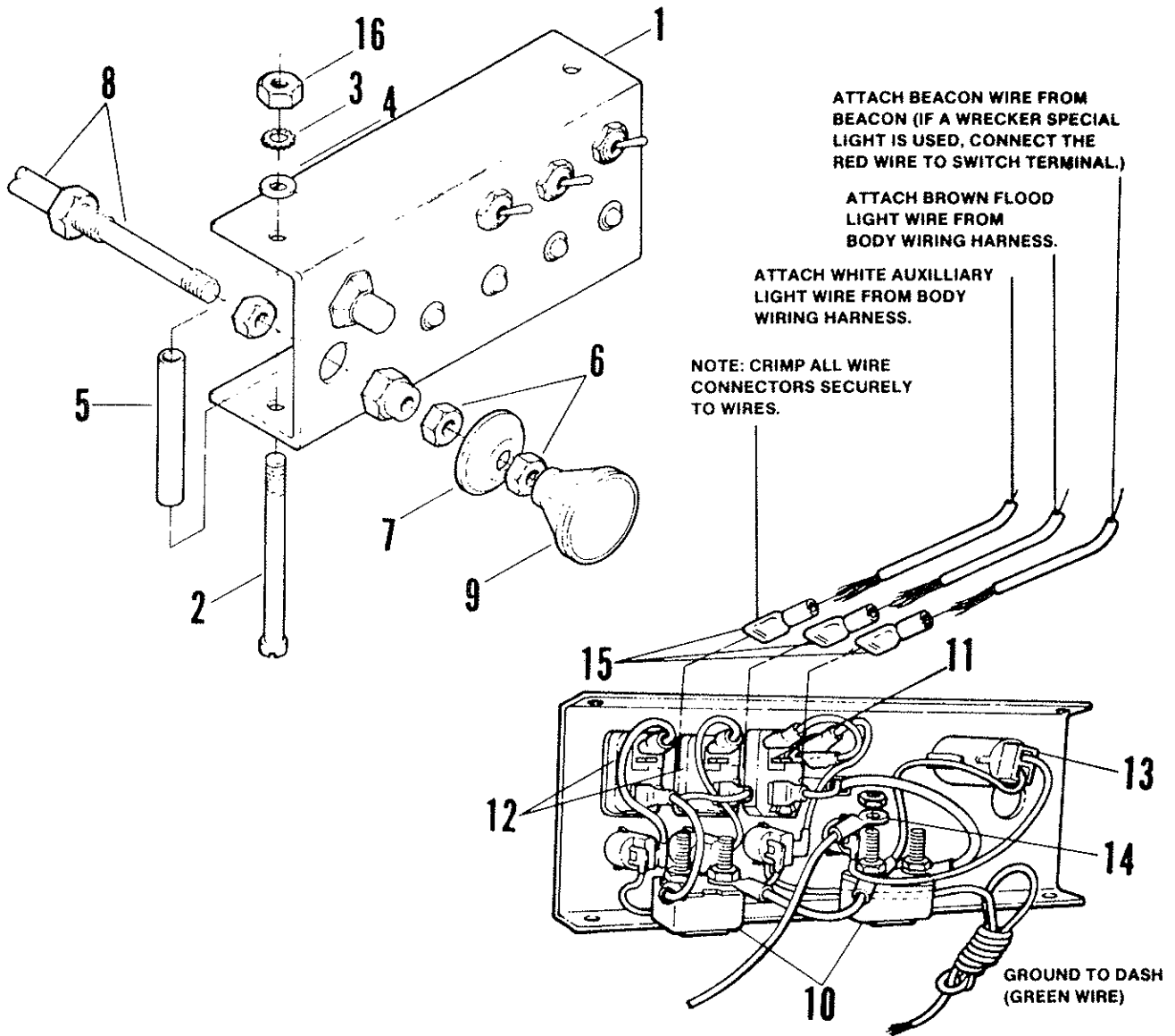
- | | |
|-------------------------------|---------|
| 1. LICENSE PLATE ILLUM. (CPL) | 0300273 |
| 2. BULB, LICENSE PLATE ILLUM. | 0300512 |



HAND OPERATED SPOTLIGHTS

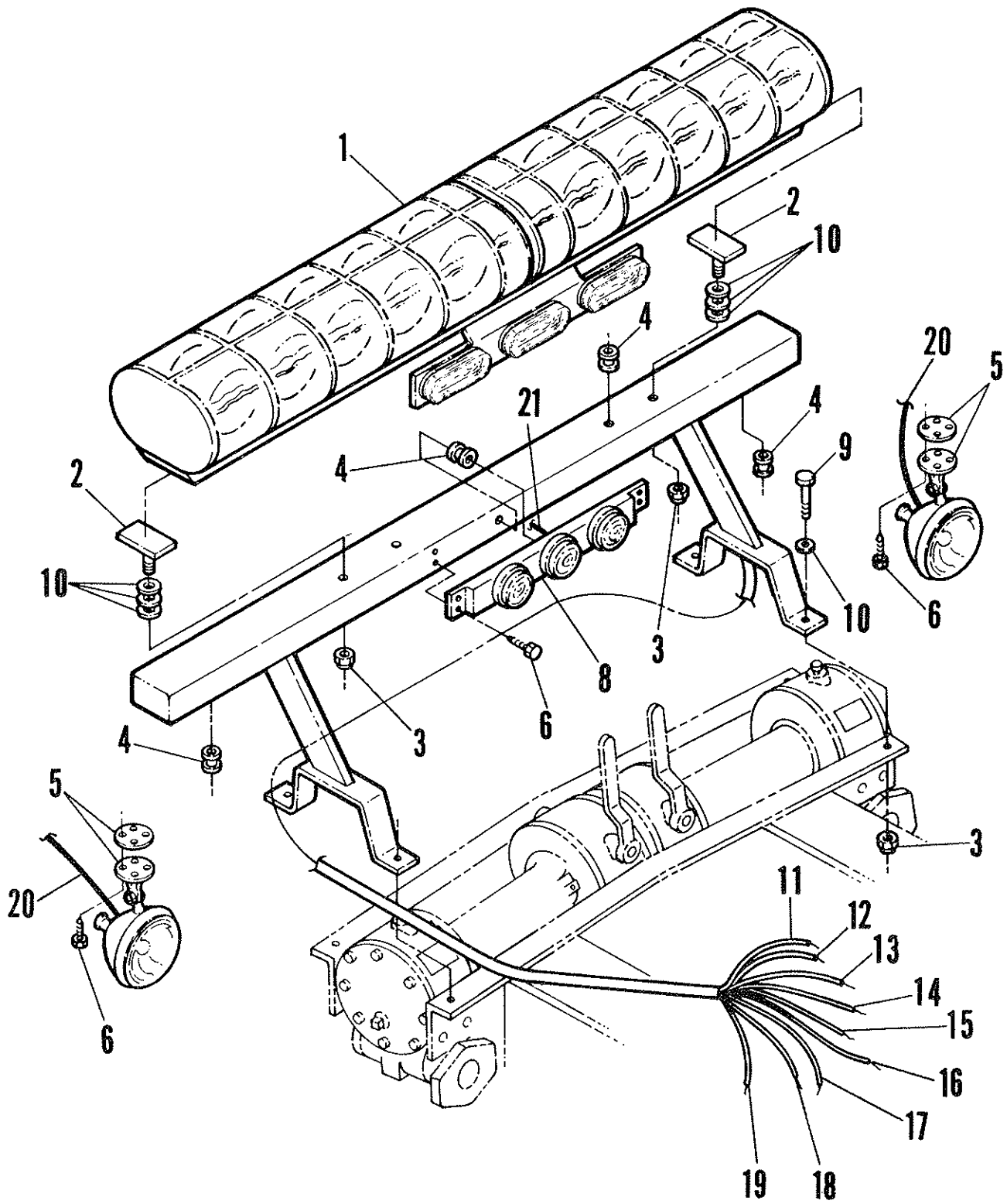
- | | |
|-------------------------|---------|
| 1. SPOTLIGHT (COMPLETE) | 0300095 |
| 2. BULB, SPOTLIGHT | 0300700 |

Section VII - DASHBOARD PANEL



| REF. NO. | NO. REQ'D. | PART NUMBER | DESCRIPTION |
|----------|------------|-------------|-----------------------------------|
| 1 | 1 | 0304155 | SWITCH PANEL HOUSING |
| 2 | 2 | 0304156 | MTG. SCREW #10 - 32 x 3 - 3/8 |
| 3 | 2 | 0304157 | LOCKWASHER, #10 EXT. TOOTH |
| 4 | 2 | 0304158 | FLAT WASHER, #10 |
| 5 | 2 | 0304159 | SPACER TUBE |
| 6 | 2 | 0304160 | JAM NUT |
| 7 | 1 | 0304161 | ACTUATOR DISK |
| 8 | 1 | 0301421 | PTO CABLE, 14 FT. |
| 9 | 1 | 0304163 | PTO KNOB |
| 10 | 2 | 0304162 | CIRCUIT BREAKER, 40 AMP |
| 11 | 1 | 0304154 | SWITCH, DOUBLE POLE, SINGLE THROW |
| 12 | 2 | 0304006 | SWITCH, SINGLE POLE, SINGLE THROW |
| 13 | 1 | 0304164 | PTO LIGHT SWITCH |
| 14 | 1 | 0301503 | RING CONNECTOR |
| 15 | 3 | 0304165 | SPADE CONNECTOR |
| 16 | 2 | 0304166 | NUT, 10-32 |

Section VII - OPTIONAL EQUIPMENT LIGHTING ACCESSORIES-SUPER SIX & 500 SERIES



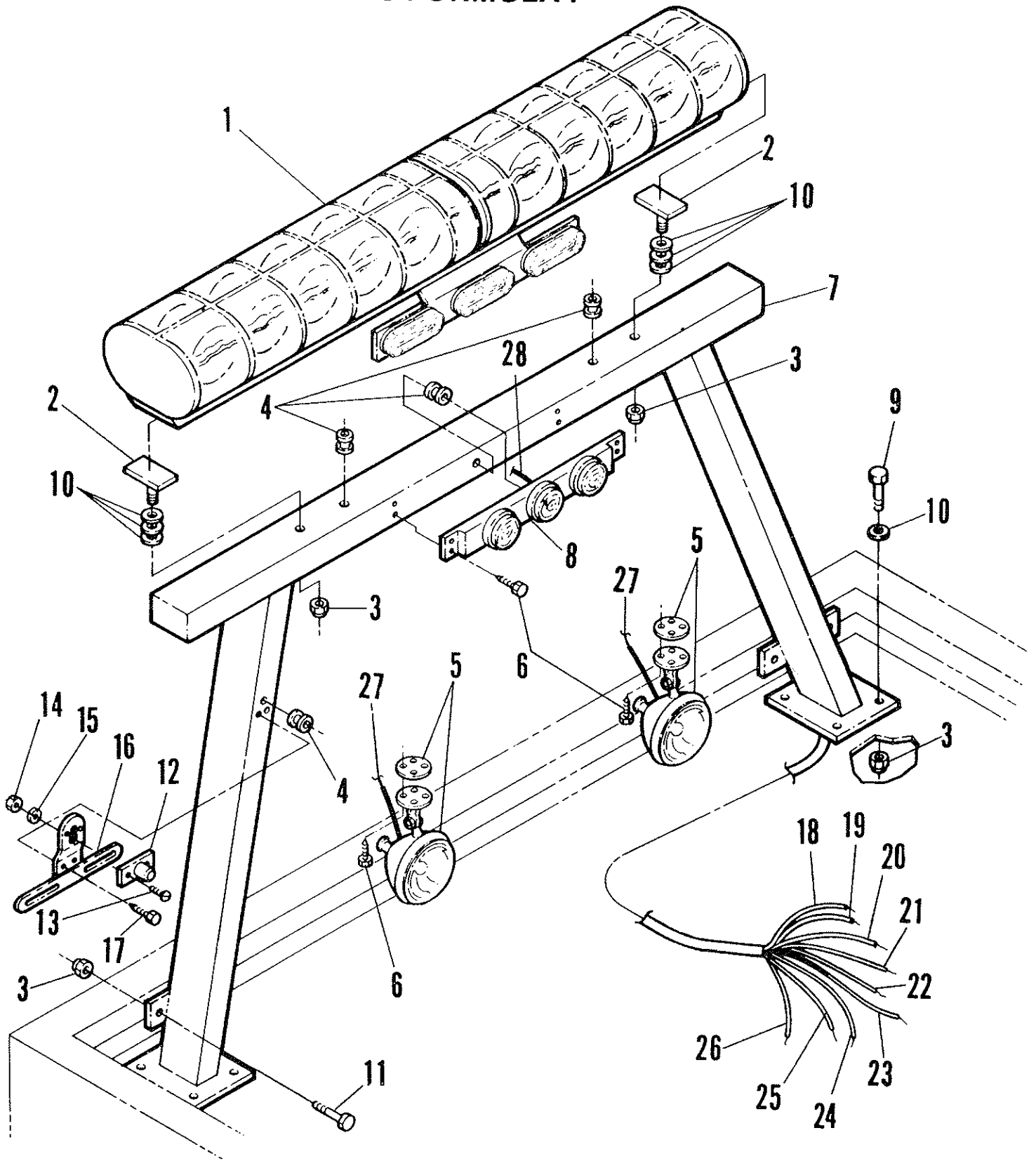
Section VII - OPTIONAL EQUIPMENT LIGHTING ACCESSORIES-SUPER SIX & 500 SERIES

| REF. NO. | NO. REQ'D. | PART NUMBER | DESCRIPTION |
|----------|------------|-------------|------------------------------------|
| 1 | 1 | 0301359 | WRECKER SPECIAL LIGHT |
| 2 | 2 | 0800539 | "T" BOLT ADAPTER |
| 3 | 14 | 0400392 | NUT, 3/8" - 16 HEX HD. NYLOK |
| 4 | 3 | 0300117 | RUBBER GROMMET |
| 5 | 2 | 0300095 | SPOTLIGHT W/GASKET |
| 6 | 12 | 0400027 | SCREW, #8-32 X 3/8" SELF TAPPING |
| 7 | 1 | 0801107 | LIGHT BAR FOR WRECKER |
| 8 | 1 | 0300442 | 3 BAR LIGHT |
| 9 | 4 | 0400122 | SCREW, 3/8" - 16 X 1-1/4" HEX. HD. |
| 10 | 18 | 0400480 | FLAT WASHER, 3/8" |

WIRING

| REF. NO. | COLOR | DESCRIPTION | TERMINATION |
|----------|----------------------------|-----------------|-----------------------------------|
| 11 | GREY | | NOT CONNECTED |
| 12 | BROWN W/WHITE STRIPE | | NOT CONNECTED |
| 13 | BLUE | FLASHING LIGHTS | CONNECT TO RED (21) RUN TO PANEL |
| 14 | RED | ROTATING LIGHTS | CONNECT TO BLUE (20) |
| 15 | BROWN | TAIL LIGHTS | CONNECT TO BLACK ON BODY HARNESS |
| 16 | ORANGE | FLOOD LIGHTS | CONNECT TO BROWN ON BODY HARNESS |
| 17 | BLACK | GROUND | CONNECT TO CHASSIS OR BODY |
| 18 | GREEN | R. TURN/STOP | CONNECT TO BLUE ON BODY HARNESS |
| 19 | YELLOW | L. TURN/STOP | CONNECT TO YELLOW ON BODY HARNESS |
| 20 | BLACK | SPOTLIGHTS | CONNECT TO BROWN ON BODY HARNESS |
| 21 | BLACK | 3-BAR LIGHT | CONNECT TO BLACK ON BODY HARNESS |
| | | | |
| | | | |
| | | | |
| | | | |
| | | | |
| | | | |
| | | | |
| | | | |
| | | | |
| | | | |
| | | | |
| | | | |

Section VII - OPTIONAL EQUIPMENT LIGHTING ACCESSORIES FORMULA I



Section VII - OPTIONAL EQUIPMENT LIGHTING ACCESSORIES FORMULA I

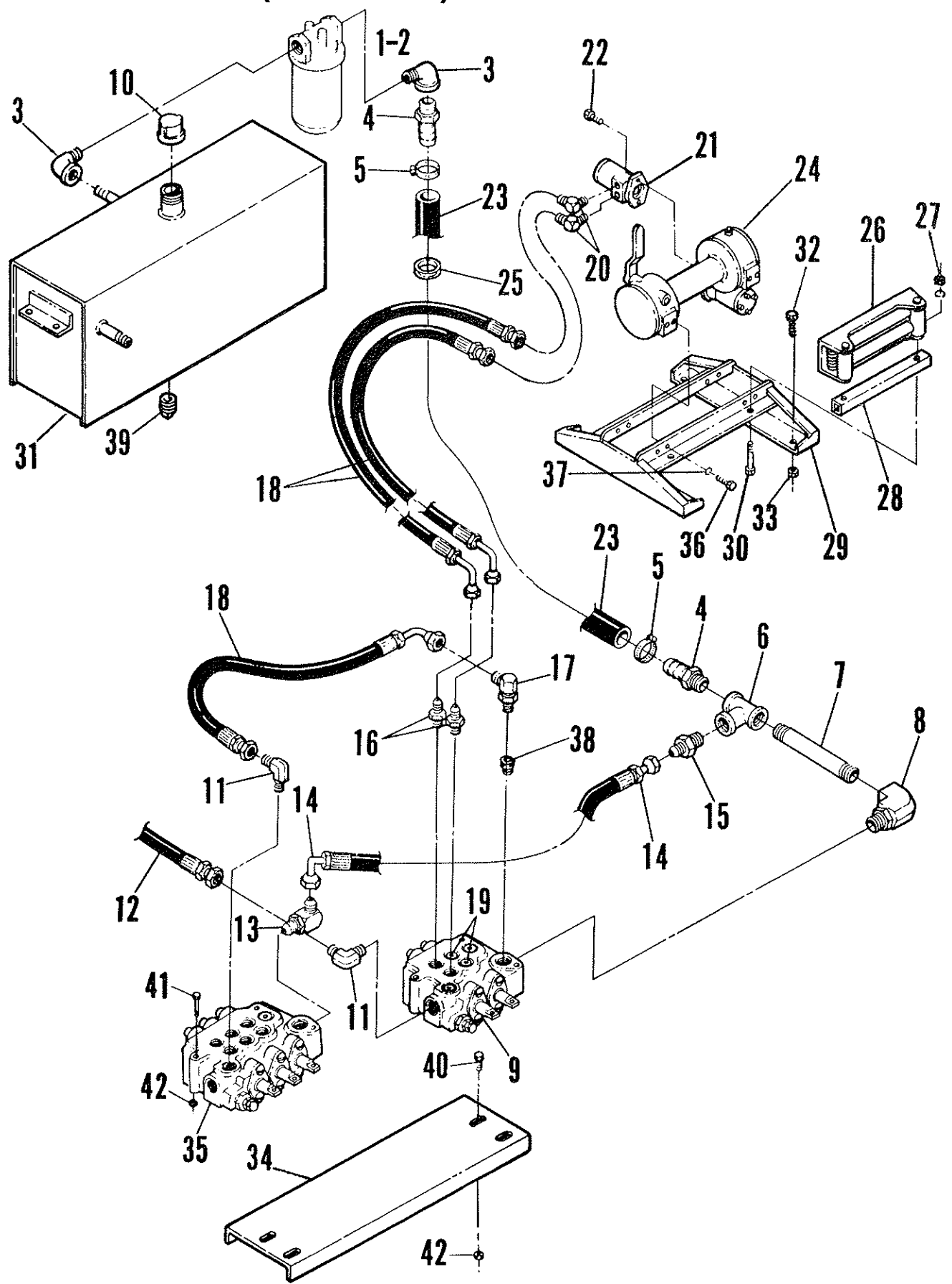
| REF. NO. | NO. REQ'D. | PART NUMBER | DESCRIPTION |
|----------|------------|-------------|--|
| 1 | 1 | 0301359 | WRECKER SPECIAL LIGHT |
| 2 | 2 | 0800539 | "T" BOLT ADAPTER |
| 3 | 6 | 0400392 | NUT, 3/8" - 16 HEX HD. NYLOK |
| 4 | 4 | 0300117 | RUBBER GROMMET |
| 5 | 2 | 0300095 | SPOTLIGHT W/GASKET |
| 6 | 12 | 0400027 | SCREW, #8-32 X 5/8" SELF TAPPING |
| 7 | 1 | 0801110 | LIGHT BAR FOR WRECKER |
| 8 | 1 | 0300442 | 3 BAR LIGHT |
| 9 | 4 | 0400122 | SCREW, 3/8" - 16 X 1-1/4" HEX. HD. |
| 10 | 14 | 0400480 | FLAT WASHER, 3/8" |
| 11 | 4 | 0400126 | SCREW 3/8"-16 X 1" HEX HD. |
| 12 | 1 | 0300273 | LICENSE PLATE ILLUMINATOR |
| 13 | 2 | 0400061 | SCREW 1/4" - 20 X 3/4" PAN HD. |
| 14 | 2 | 0400366 | NUT 1/4"-20 PLAIN |
| 15 | 2 | 0400452 | LOCKWASHER 1/4" |
| 16 | 1 | 0300076 | LICENSE PLATE HOLDER |
| 17 | 2 | 0400062 | SCREW 1/4" - 20 X 3/4" THREAD CUT HEX. HD. |

WIRING

| REF. NO. | COLOR | DESCRIPTION | TERMINATION |
|----------|----------------|-----------------|-----------------------------------|
| 18 | GREY | | NOT CONNECTED |
| 19 | BROWN | | NOT CONNECTED |
| | W/WHITE STRIPE | | |
| 20 | BLUE | FLASHING LIGHTS | CONNECT TO RED (21) RUN TO PANEL |
| 21 | RED | ROTATING LIGHTS | CONNECT TO BLUE (20) |
| 22 | BROWN | TAIL LIGHTS | CONNECT TO BLACK ON BODY HARNESS |
| 23 | ORANGE | FLOOD LIGHTS | CONNECT TO BROWN ON BODY HARNESS |
| 24 | BLACK | GROUND | CONNECT TO CHASSIS OR BODY |
| 25 | GREEN | R. TURN/STOP | CONNECT TO BLUE ON BODY HARNESS |
| 26 | YELLOW | L. TURN/STOP | CONNECT TO YELLOW ON BODY HARNESS |
| 27 | BLACK | SPOTLIGHTS | CONNECT TO BROWN ON BODY HARNESS |
| 28 | BLACK | 3-BAR LIGHT | CONNECT TO BLACK ON BODY HARNESS |
| | | | |
| | | | |
| | | | |
| | | | |
| | | | |
| | | | |
| | | | |
| | | | |
| | | | |

Section VII - OPTIONAL EQUIPMENT

FI - DRAG WINCH (OPTIONAL)

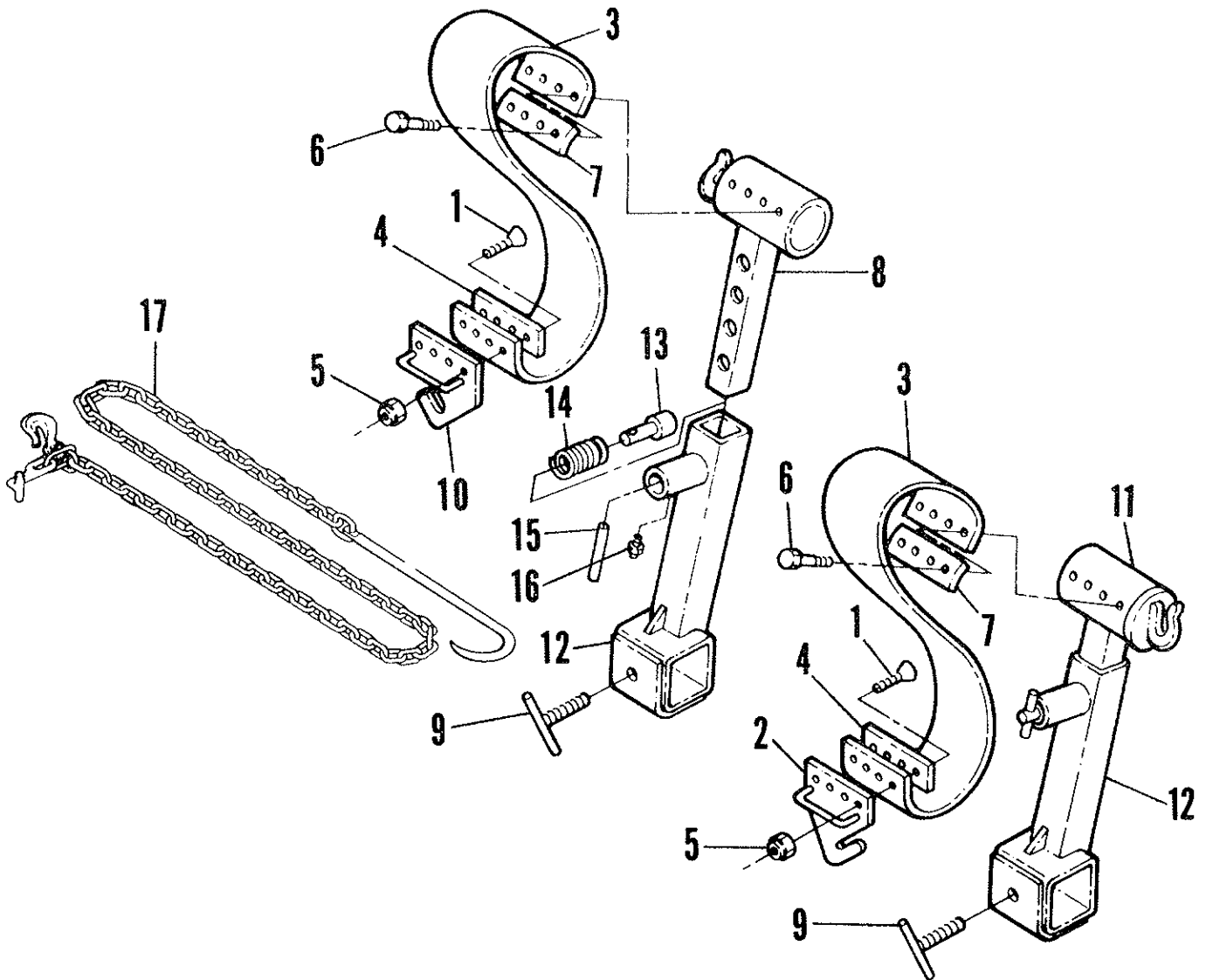


Section VII - OPTIONAL EQUIPMENT

FI - DRAG WINCH (OPTIONAL)

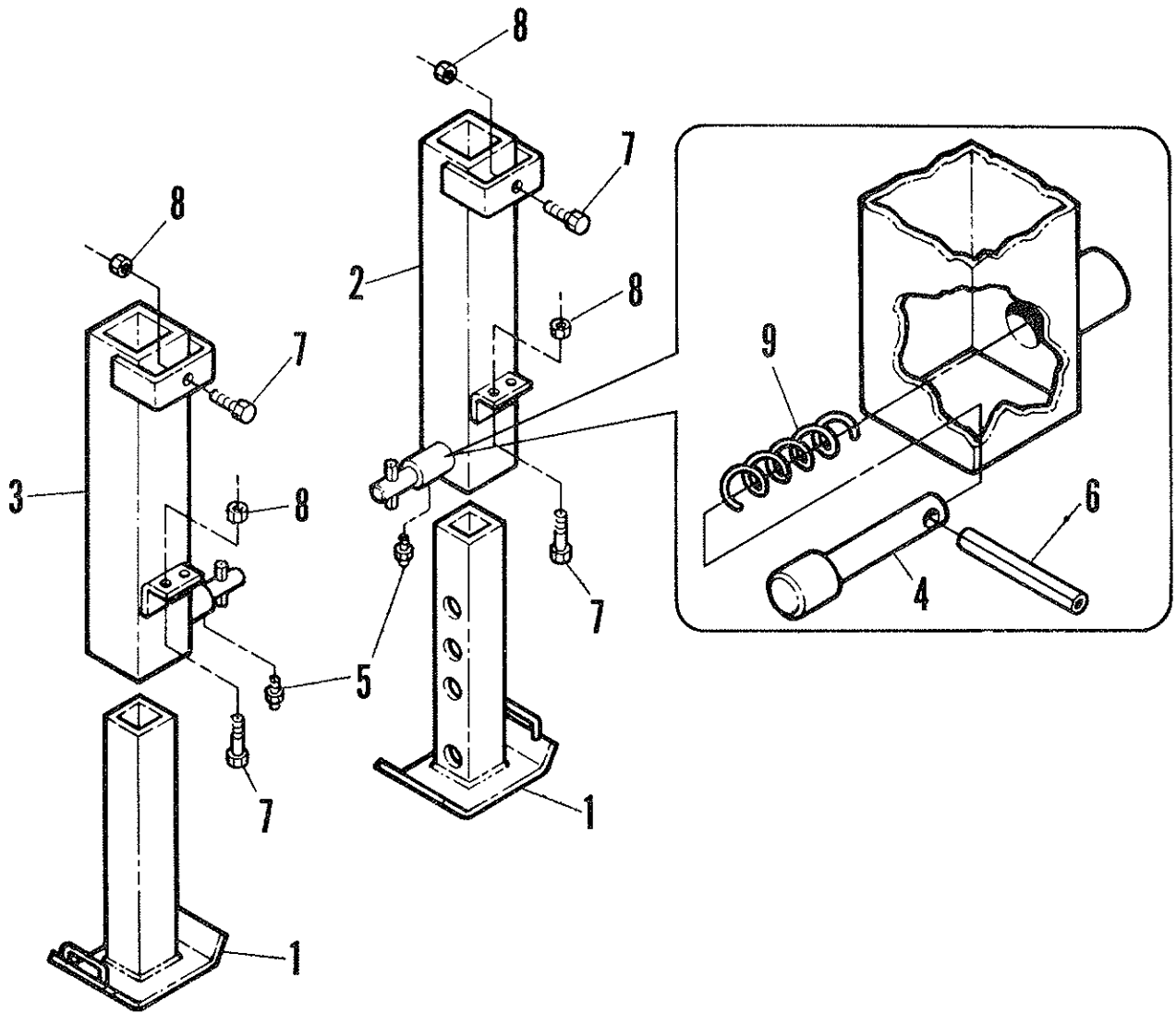
| REF. NO. | NO. REQ'D. | PART NUMBER | DESCRIPTION |
|----------|------------|-------------|---|
| 1 | 1 | 0300136 | OIL FILTER ASS'Y |
| 2 | 1 | 0300135 | FILTER REPLACEMENT CARTRIDGE |
| 3 | 2 | 0300288 | STREET ELBOW, 3/4" NPT |
| 4 | 2 | 0300055 | HOSE BARB, 3/4" HOSE - 3/4" NPT |
| 5 | 2 | 0300071 | HOSE CLAMP, 1" |
| 6 | 1 | 0301387 | TEE, 3/4" FEM, NPT |
| 7 | 1 | 0301899 | NIPPLE, 3/4" X 5" LG. NPT |
| 8 | 1 | 0301375 | ELBOW, 3/4" SAE MALE X 3/4" NPT FEM. 90° |
| 9 | 1 | 0301415 | VALVE, 2 SPOOL |
| 10 | 1 | 0702741 | CAP, RESERVOIR |
| 11 | 2 | 0300052 | ELBOW, 5/8" SAE MALE X 1/2" J.I.C. MALE 90° |
| 12 | 1 | 0300165 | HIGH PRESSURE HOSE |
| 13 | 1 | 0300814 | ELBOW, 3/4" SAE X 1/2" J.I.C. MALE 90° |
| 14 | 1 | 0301790 | HOSE, 1/2" J.I.C. X 1/2" J.I.C. 90° X 17" LG. |
| 15 | 1 | 0301881 | CONNECTOR, 3/4" NPT MALE X 1/2" J.I.C. MALE STR. |
| 16 | 2 | 0300041 | CONNECTOR, 1/2" SAE "O" RING X 1/2" J.I.C. STR. |
| 17 | 1 | 0301388 | ELBOW, 1/2" SAE "O" RING M X 1/2" J.I.C. M 90° |
| 18 | 1 | 0301471 | HOSE, 1/2" J.I.C. X 1/2" J.I.C. 90° X 30" LG. |
| 19 | 2 | 0301783 | HOLE PLUG |
| 20 | 2 | 0300229 | ELBOW, 1/2" |
| 21 | 1 | 0300090 | MOTOR, HYDRAULIC |
| 22 | 2 | 0400196 | SCREW, 1/2" - 13 X 1 1/4" LG. SOCKET HD. CAP, GR. 5 |
| 23 | 1 | 0300057 | RETURN HOSE, 3/4" I.D. X 47" LG. |
| 24 | 1 | 0300251 | WINCH, L.H. |
| 25 | 1 | 0300124 | GROMMET, CATERPILLAR |
| 26 | 1 | 0301444 | FAIRLEAD |
| 27 | 2 | 0400407 | NUT, 1/2" - 13 HEX. |
| 28 | 1 | 0701756 | SPACER TUBE |
| 29 | 1 | 0801029 | FRAME, DRAG WINCH |
| 30 | 2 | 0400197 | SCREW, 1/2" - 13 X 2 3/4" HEX. HD. CAP, GR. 5 |
| 31 | 1 | 0800788 | RESERVOIR |
| 32 | 4 | 0400260 | SCREW, 5/8"-11 X 2" HEX. HD. |
| 33 | 4 | 0400421 | NUT, 5/8" NYLON LOCK |
| 34 | 1 | 0703896 | VALVE MOUNTING CHANNEL |
| 35 | 1 | 0300010 | 3-SPOOL VALVE |
| 36 | 6 | 0400122 | SCREW, 3/8"-16 NC X 1-1/4" LG. HEX. HD. CAP |
| 37 | 8 | 0400482 | LOCKWASHER, 3/8" |
| 38 | 1 | 0300286 | ADAPTER, H.P.C.O. |
| 39 | 1 | 0300347 | PLUG - SQ. HD. |
| 40 | 4 | 0400126 | SCREW, 3/8"-16 NC X 1" LG. HEX. HD. CAP |
| 41 | 6 | 0400140 | SCREW, 3/8"-16 X 4" LG. HEX. HD. CAP, GR. 5 |
| 42 | 10 | 0400392 | NUT, 3/8"-16 NYLON LOCK |

Section VII - OPTIONAL EQUIPMENT TOW SLING ADAPTORS



| REF. NO. | NO. REQ'D. | PART NUMBER | DESCRIPTION |
|----------|------------|-------------|---------------------------------------|
| 1 | 8 | 0400156 | SCREW, 3/8"-16 X 1 1/4" FLAT HD. SOC. |
| 2 | 1 | 0800608 | CHAIN KEEPER, LEFT |
| 3 | 2 | 0701919 | TOW SLING BELT |
| 4 | 2 | 0701920 | GRIP PLATE |
| 5 | 8 | 0400392 | NUT, 1/8"-16 NYLOK |
| 6 | 8 | 0400105 | SCREW, 3/8"-18 X 1-1/4" SELF-TAPPING |
| 7 | 2 | 0701921 | BELT RETAINER |
| 8 | 1 | 0800693 | INNER ADJUSTMENT TUBE, RIGHT |
| 9 | 2 | 0800590 | TEE HANDLE |
| 10 | 1 | 0800609 | CHAIN KEEPER, RIGHT |
| 11 | 1 | 0800692 | INNER ADJUSTMENT TUBE LEFT |
| 12 | 2 | 0800823 | MOUNTING BRACKET |
| 13 | 2 | 0700154 | PIN, PLUNGER |
| 14 | 2 | 0300004 | SPRING, PLUNGER |
| 15 | 2 | 0400568 | ROLL PIN |
| 16 | 2 | 0300113 | GREASE FITTING |
| 17 | 2 | 0900176 | "J" HOOK ASS'Y |

Section VII - OPTIONAL EQUIPMENT REAR MANUAL JACKS



| REF. NO. | NO. REQ'D. | PART NUMBER | DESCRIPTION |
|----------|------------|-------------|------------------------------|
| 1 | 2 | 0800630 | INNER JACK TUBE |
| 2 | 1 | 0800607 | RIGHT OUTER JACK TUBE |
| 3 | 1 | 0800606 | LEFT OUTER JACK TUBE |
| 4 | 2 | 0700154 | PLUNGER PIN |
| 5 | 2 | 0300113 | GREASE FITTING |
| 6 | 2 | 0400568 | ROLL PIN 5/8" DIA. X 3" LONG |
| 7 | 6 | 0400253 | SCREW 5/8"-11 X 1 1/4" |
| 8 | 6 | 0400421 | NUT 5/8"-11 |
| 9 | 2 | 0300004 | PLUNGER SPRING |

**CENTURY®
WRECKER
CORPORATION**

I-75 at Ooltewah Exit #11 • 8503 Hilltop Drive • Ooltewah, Tennessee 37363 • (615) 238-4171
Mailing Address: P.O. Box 120 • Ooltewah, Tennessee 37363 • Telex: 856967 CENWKRTN UD