

# CENTURY®

LEGENDARY LEADERSHIP



## OWNER'S MANUAL

### 1040B / SDU3

## INSTALLATION, OPERATION, MAINTENANCE & PARTS

**NOTE: MANUAL including SPECIFICATIONS, subject to change without notice**  
All ratings specified are based on structural factors only,  
not vehicle capacities or capabilities.

## CENTURY®

Miller Industries Towing Equipment Inc.

8503 Hilltop Drive

Ooltewah, Tennessee 37363

Phone (423) 238-4171 • FAX (423) 238-5371

FORM NO. 19115014

6 / 05

PRICE \$25.00

## Section VI - PARTS

This Section is provided by the manufacturer for the purpose of ordering any component part of the **1040B Recovery Unit** and **SDU3 Underlift** that may be required when part replacement is necessary.

Be certain to use only original equipment replacement parts for warranty purposes as well as for keeping your **1040B Recovery Unit** and **SDU3 Underlift** in its original state and optimum operating capacities.

When ordering replacement or spare parts be sure to provide the following information to the manufacturer's **Parts Department**.

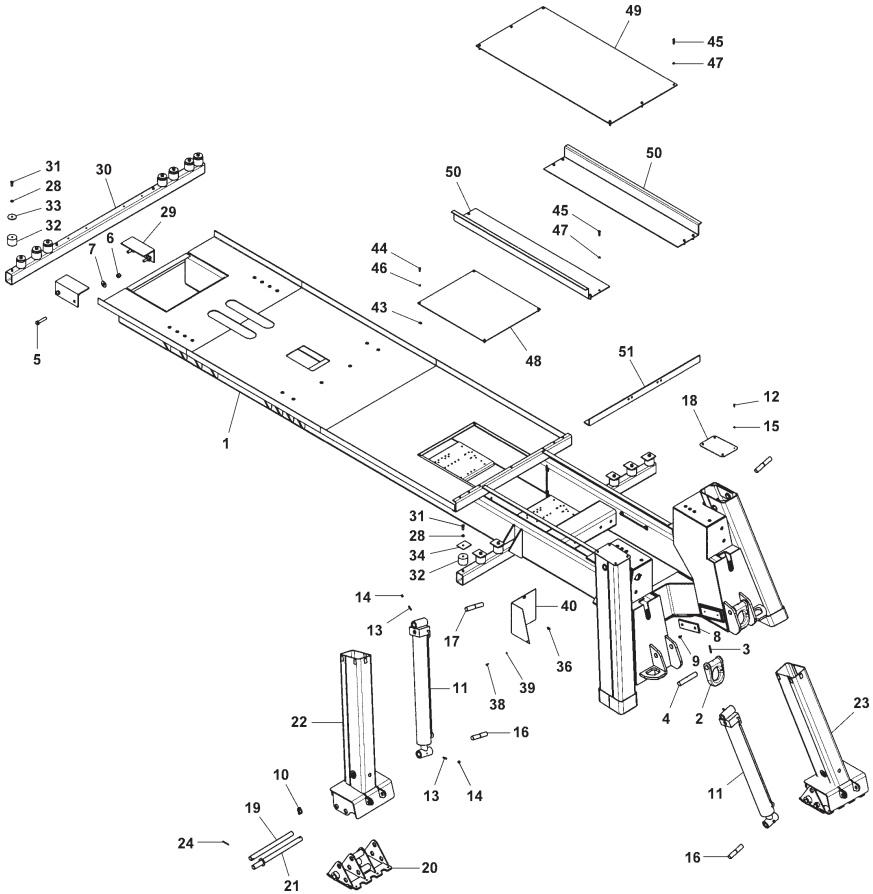
1. **Manual Number & Date of Publication**
2. **Manual Page Number**
3. **Page Title**
4. **Reference Number of Part Desired**
5. **Part Number**
6. **Part Description**
7. **Quantity of Part Desired**

Providing this information will help ensure that the correct parts will be delivered to you in an expedient manner. Should additional information be required for repair or replacement of certain components, contact your Wrecker Manufacturer Authorized Representative.

The Manufacturer reserves the right, without notice or obligation, to improve or modify their products, which may change the specifications, models and feature availability.

# Section VI - PARTS (cont'd)

## SUBFRAME ASSEMBLY



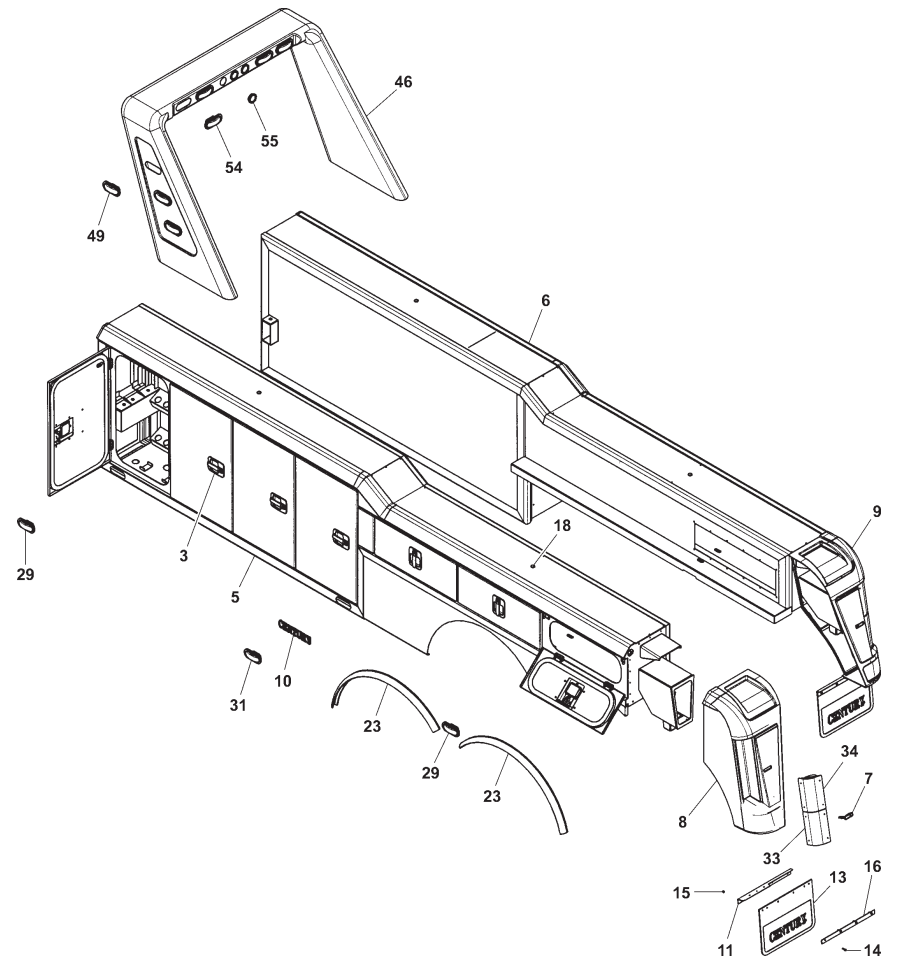
## Section VI - PARTS (cont'd)

### SUBFRAME ASSEMBLY

REF. NO.	NO. REQ'D	PART NUMBER	DESCRIPTION
--	--	19119002	SUBFRAME ASSY 1040B SDU/3
1	1	19118003	SUBFRAME WELDMENT, 1040B
--	--	0902553	KIT, D-RING LARGE
2	2	0708452	D-RING TOWING
3	2	9046388	ROLL PIN, 3/8" X 2-1/2"
4	2	GA0215	PIN, D-RING
--	--	0903096	KIT, MODULAR MOUNTS 156CB
5	4	0400281	SCREW, 3/4"-10 X 3-1/2" HEX HD CAP GR5 ZP
6	4	0400430	NUT, 3/4"-10 NYLOK HEX ZP
7	4	0400510	WASHER, 3/4" FLAT ZP
--	--	0904049	KIT, BUMPER BOOM/TAILGATE
8	2	0303481	SLIDE PAD, BUMPER
9	4	0400349	SCREW, 3/8"-16 X 3/4" FLT SKT HD
--	--	0906313	SPADE ASSY, REAR HYDRAULIC
10	2	0301861	QUICK PIN, B7932 PL
11	2	0303691	SPADE CYLINDER
12	8	0400066	SCREW, 1/4"-20 X 3/4" HEX HD CAP GR5 ZP
13	4	0400139	SCREW, 3/8"-16 X 1-1/2" HEX SKT SET
14	10	0400392	NUT, 3/8"-16 NYLOK HEX ZINC
15	8	0400452	LOCKWASHER, 1/4" HELICAL ZP
16	2	0713128	SHAFT, LOWER SPADE
17	2	0713129	SHAFT, UPPER SPADE
18	2	0715584	PLATE, REAR SPADE COVER
19	2	0715694	PIN, SPADE PIVOT
20	2	0804286	LOWER SPADE PAD WELDMENT
21	2	0804334	PIN, MULTI-POSITION
22	1	0805965	INNER SPADE WELDMENT L.H. (5030)
23	1	0805966	INNER SPADE WELDMENT R.H. (5030)
24	2	9046354	SPRING PIN, 1/4" X 2-1/2"

REF. NO.	NO. REQ'D	PART NUMBER	DESCRIPTION
--	--	0906542	SAFETY CHAIN ASSY (NOT SHOWN)
25	2	0303445	SAFETY CHAIN, SYSTEM 10
26	2	0306831	U-BOLT, 1/2" M-250
27	4	0400487	LOCKWASHER, 7/16" HELICAL
--	--	0907325	KIT, MODULAR MOUNTS
28	14	0400491	LOCKWASHER, 1/2" HELICAL ZP
29	2	0710545	MOUNTING ANGLE
30	1	0806004	FRONT BODY MOUNT
31	14	9041402	SCREW, 1/2"-13 X 1-1/4" HEX HD CAP GR8
32	14	9402970	TOOLBOX MOUNTING PAD
33	14	94310004	TOOLBOX MOUNTING WASHER
34	14	942480004	PLATE, SS REAR WASHER
--	--	0907503	KIT, COVER JACK FIX
35	8	0400066	SCREW, 1/4"-20 X 3/4" HEX HD CAP GR5 ZP
36	4	0400379	NUT, 5/16"-18 "J" TINNERMAN
37	8	0400452	LOCKWASHER, 1/4" HELICAL ZP
38	4	0402032	SCREW, 5/16"-18NC X 1" HEX HD CAP 8-18 SS
39	4	0402118	LOCKWASHER, 5/16" HELICAL SS
40	1	0716138	COVER, LT DECK REAR SPADE
41	1	0716139	COVER, RT DECK REAR SPADE
42	1	0717413	COVER, JACK
--	--	0907527	KIT, ACCESS COVER FIXED
43	4	0400379	NUT, 5/16"-18 "J" TINNERMAN
44	4	0402032	SCREW, 5/16"-18NC X 1" HEX HD CAP 8-18 SS
45	14	0402044	SCREW, 3/8"-16NC x 1-1/2" HEX HD CAP SS
46	4	0402118	LOCKWASHER, 5/16" HELICAL SS
47	14	0402121	LOCKWASHER, 3/8" 316 SS
48	1	0717425	COVER PLATE, REAR FLOOR
49	1	0717449	COVER PLATE, REAR U/L FLOOR
50	2	0717450	DECK PLATE, REAR OUTER FLOOR COVER
51	1	0806552	MTG ANGLE WELDMENT, REAR DECK COVER

# Section VI - PARTS (cont'd) BODY ASSEMBLY



## Section VI - PARTS (cont'd)

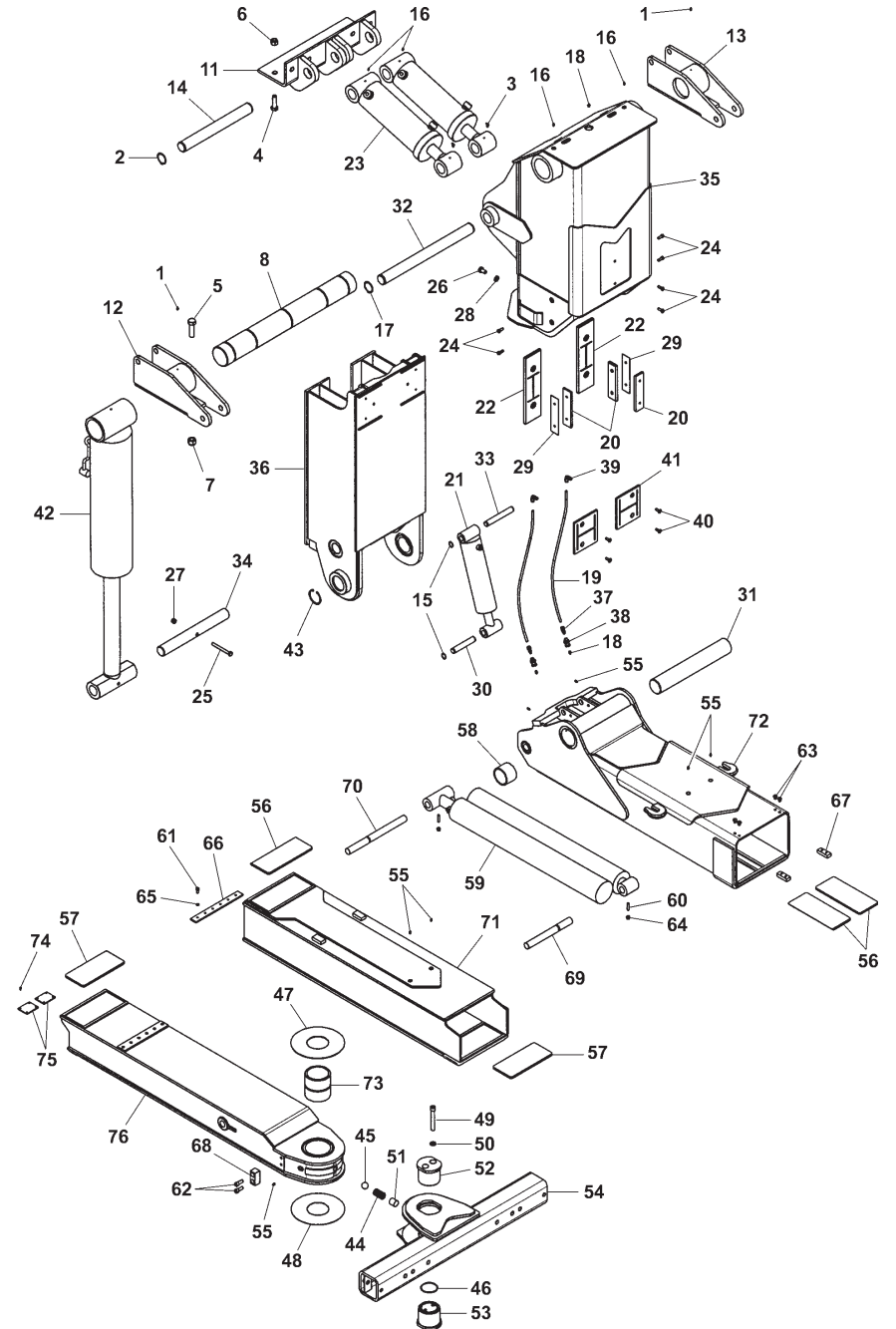
### BODY ASSEMBLY

REF. NO.	NO. REQ'D	PART NUMBER	DESCRIPTION
--	--	125220204	CENTURY BODY OPTION 2000
1	28	0304695	TOOLBOX DOOR HINGE
2	8	0304696	GAS SHOCK
3	14	0304697	HANSEN DOOR LATCH
4	153 FT.	0306553	DOOR SEAL - LT PT NO 8758
5	1	0307068	TOOLBOX, LT, 204CB ALUM TAND 12D
6	1	0307069	TOOLBOX, RT, 204CB ALUM TAND 12D
7	2	0307168	DOOR LATCH
8	1	0307255	LH BOX TAIL SECTION
9	1	0307256	RH BOX TAIL SECTION
10	2	0501167	NAMEPLATE, CENTURY PLASTIC
11	1	0705090	MUDFLAP MTG ANGLE, RT PAINT BLK
12	1	0705091	MUDFLAP MTG ANGLE, LT PAINT BLK
--	--	0902104	LARGE WRECKER MUDFLAP KIT
13	2	0301223	MUDFLAP, 820 EXP
14	8	0400122	SCREW, 3/8"-16 X 1-1/4" HEX HD CAP GR5 ZP
15	8	0400392	NUT, 3/8"-16 NYLOK HEX ZP
16	2	0705092	BAR, MUDFLAP
--	--	0907043	TOOLBOX HOLE PLUG KIT
17	8	0307052	WASHER, RUBBER 7/16" X 1-1/4" X 1/4"
18	4	0400201	CARRIAGE BOLT, 1/2"-13 X 1-1/2" GR5 ZP
19	4	0400407	NUT, 1/2"-13 HEX ZP
20	4	0400491	LOCKWASHER, 1/2" HELICAL ZP
21	4	0400492	WASHER, 1/2" FLAT ZP
22	4	0400506	WASHER, 5/8 FLAT ZP
--	--	0907109	RUBBER FENDER KIT
23	28	0300345	RUBBER FENDER WELL MATERIAL
24	76	0400607	RIVET, 1/4" X 5/8" ALUMINUM
--	--	0906546	MODULAR LIGHT KIT
25	10	0300117	RUBBER GROMMET, 316
26	16	0300844	3/4" X 1/8" CLOSED CELL
27	24	0301503	#10 RING CONN. 10 - 12 GA
28	1.5	0301812	HEAT SHRINK TUBE, 1/4" MELT
29	4	0302201	BACKUP LIGHT
30	18	0302544	DOME LIGHT, M 390S

REF. NO.	NO. REQ'D	PART NUMBER	DESCRIPTION
--	--	0906546	MODULAR LIGHT KIT (cont'd)
31	8	0302611	LIGHT, AMBER
32	6	0303178	HEAT SHRINK, 1/4" (4 FT. LONG)
33	2	0306778	TAIL LIGHT (LT-BOTTOM, RT-TOP)
34	2	0306779	TAIL LIGHT (LT-TOP, RT-BOTTOM)
35	54	0400043	SCREW, #10-24 X 1" OVAL PHILHD MCH
36	66	0400045	SCREW, #10-32 X 1/2" THRD CUT RD S/S
37	24	0401024	SCREW, #8-32 X 1-1/2" RND MACH SL ALUM
--	--	124002585	PASS-THRU ALUM. BOX ASSY (NOT SHOWN)
38	11	0303056	D GASKET- H2 ADHESIVE
39	1	0307269	PASS-THRU ALUM. BOX WELDMNT 21x23
40	20	0400062	SCREW, 1/4"-20 X 3/4" THRD CUT HEX
41	4	0400211	SCREW, 1/2"-13 X 1-3/4" HEX HD CAP GR5 ZP
42	4	0400408	NUT, 1/2"-13 NYLOK HEX ZP
43	4	0400496	WASHER, 1/2" FLAT PLAIN
44	2	0717421	ANGLE - SIDE TRIM
45	2	0717422	ANGLE - TOP TRIM
--	--	124002278	AERODYNAMIC PYLON 51" HIGH
46	1	0306872	AERODYNAMIC PYLON 51"
--	--	0902343	KIT-HARDWARE-AERODYNAMIC PYLON
47	1	0300076	LICENSE PL BRKT (LT0117)
48	1	0300273	LICENSE PLATE ILLUMINATOR
49	8	0302611	LIGHT, AMBER
50	1	0306904	WIRING HARNESS, PYLON
51	6	0400150	SCREW, 3/8"-16 X 2-1/2" HEX HD CAP GR5 ZP
52	6	0400392	NUT, 3/8"-16 NYLOK HEX ZINC
53	12	0400480	WASHER, 3/8" FLAT ZP
54	2	174027009	6" OVAL RED STOP, TURN, TAIL LAMP
55	3	174027025	2-1/2" ROUND RED MARKER LAMP
--	--	124002478	PYLON WINGS KIT, AERODYNAMIC (N.S.)
56	1	0306945	AERODYNAMIC PYLON WING, (LEFT)
57	1	0306946	AERODYNAMIC PYLON WING, (RIGHT)
58	8	0400150	SCREW, 3/8"-16 X 2-1/2" HEX HD CAP GR5 ZP
59	8	0400392	NUT, 3/8"-16 NYLOK HEX ZINC
60	16	0400480	WASHER, 3/8" FLAT ZP

# Section VI - PARTS (cont'd)

## SDU/3 ASSEMBLY



## Section VI - PARTS (cont'd)

### SDU/3 ASSEMBLY

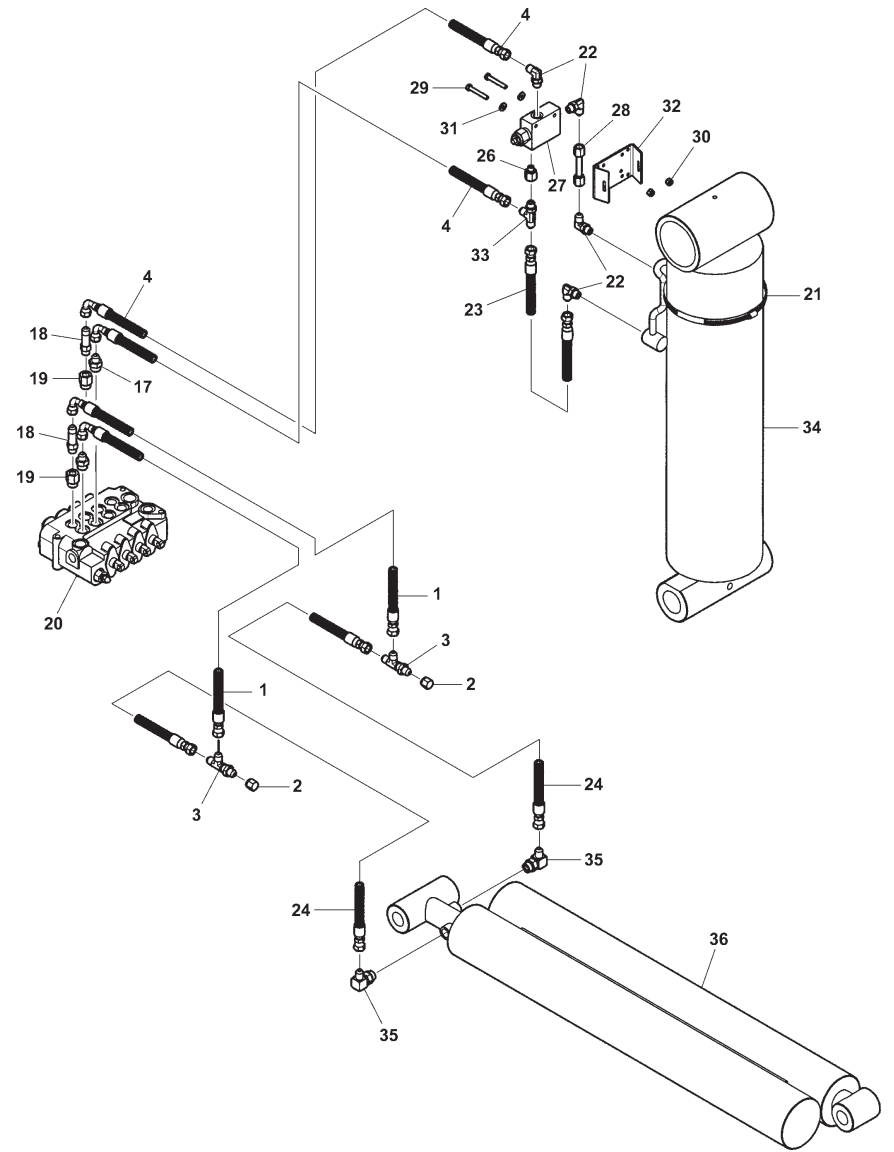
REF. NO.	NO. REQ'D	PART NUMBER	DESCRIPTION
--	--	0904652	INSTALLATION SDU/2 FIX & ROT.
1	2	0300113	GREASE FITTING, 1/4"-28
2	2	0300329	SNAP RING, EXTERNAL 2"
3	2	0301397	GREASE FITTING, 1/4"-28 90°
4	8	0400288	SCREW, 3/4"-10 X 2-1/2" HEX HD CAP GR8 GD
5	8	0400306	SCREW, 7/8"-9 X 3" HEX HD CAP GR8 GOLD
6	8	0400430	NUT, 3/4"-10 NYLOK HEX ZP
7	8	0400437	NUT, 7/8"-9 NYLOK HEX GR8 ZP
8	1	0709242	PIN, MAIN PIVOT
9	0	0716546	PLATE, PIVOT MOUNTING SHIM
10	0	0716547	PLATE, PIVOT MOUNTING SHIM
11	1	0804034	TILT CYLINDER MOUNTING BRACKET
12	1	0804303	SUPPORT, LEFT PIVOT WELDMENT
13	1	0804304	SUPPORT, RIGHT PIVOT WELDMENT
14	1	UK0126	PIN, TILT CYLINDER BASE END
--	--	0907809	UNDERLIFT SDU/3 ASSY
15	4	0300110	SNAP RING, 1" 5100-100
16	4	0300113	GREASE FITTING, 1/4"-28 STRAIGHT
17	2	0300329	SNAP RING, EXTERNAL 2"
18	5	0301895	GREASE FITTING, STR 1/8" NPT
19	6 FT.	0301949	HOSE, 3/8" OD SYNDFLEX 100'
20	3	0303892	SLIDE PAD, BOOM SIDE
21	1	0306746	CYLINDER, FOLD
22	2	0307351	SLIDE PAD, SDU/2 U/L
23	2	0307378	CYLINDER, TILT SDU/2
24	6	0400126	SCREW, 3/8"-16 X 1" HEX HD CAP GR5 ZP.
25	1	0400219	SCREW, 1/2"-13 X 4-1/2" HEX HD CAP GR5 ZP
26	4	0400248	SCREW, 5/8"-11 X 1" HEX HD CAP GR8 ZP
27	1	0400408	NUT, 1/2"-13 NYLOK HEX ZP
28	4	0400508	LOCKWASHER, 5/8" HELICAL ZP
29	2	0703734	SHIM, SIDE PLATE, OUTER BOOM
30	1	0707179	PIN
31	1	0714209	PIN, PIVOT
32	1	0714218	PIN, TILT CYLINDER
33	1	0714240	PIN, FOLD CYLINDER
34	1	0717919	PIN, LIFT CYLINDER
35	1	0806657	MAST, SDU/3 OUTER WELDMENT
36	1	0806658	MAST-SDU/3 INNER WELDMENT
37	2	9012549	CONNECTOR-MALE 3/8TUBEX1
38	2	9012552	BULKHEAD COUPLING-1/8 P
39	2	9012584	ELBOW-1/4NPT X 3/8TUBE 9
40	4	9044434	SCREW, 3/8"-16 X 1" NC FLAT

REF. NO.	NO. REQ'D	PART NUMBER	DESCRIPTION
--	--	0907809	UNDERLIFT SDU/3 ASSY (cont'd)
41	2	945030004	UPPER WEAR PAD, RECOVERY
42	1	HC0159	CYLINDER, LIFT
43	2	HD0152	SNAP RING, 3" INTERNAL
--	--	0903156	CROSSBAR ASSEMBLY, 5"
44	1	0301197	COMP. SPRING, CROSSBAR, FI
45	1	0301398	STEEL BALL, 1-3/16" DIA
46	1	0301822	O-RING, PIVOT PIN
47	1	0303097	THRUST WASHER, 1/8" THK
48	1	0303098	THRUST WASHER, 1/16" THK
49	2	0400271	SCREW, 5/8"-11 X 4-1/2" SKT HD CAP
50	2	0400508	LOCKWASHER, 5/8" HELICAL ZP
51	1	0708470	SPACER, DETENT BALL SPRING
52	1	0710051	PIN, TOP HALF PIVOT
53	1	0710052	PIN, BOTTOM HALF PIVOT
54	1	0802914	CROSSBAR WELDMENT
--	--	0907810	BOOM, SDU/3 HORTZ ASSY
55	8	0300113	GREASE FITTING, 1/4"-28 STRAIGHT
56	3	0301817	SLIDE PAD, HORIZ BOOM NYL
57	2	0301818	SLIDE PAD, HORIZ BOOM
58	2	0302538	BUSHING, STINGER
59	1	0303501	CYLINDER, EXTEND
60	2	0400139	SCREW, 3/8"-16 X 1-1/2" HEX SKT SET
61	6	0400151	SCREW, 3/8"-24 X 3/4" HEX HD CAP GR5 ZP
62	4	0400196	SCREW, 1/2"-13 X 1-1/4" SOCKET HD
63	4	0400228	SCREW, 3/8"-24 X 5/8" BUTTON HEAD
64	2	0400392	NUT, 3/8"-16 NYLOK HEX ZINC
65	6	0400481	LOCKWASHER, 3/8" EXT. TOOTH
66	1	0703233	PLATE, STOP
67	2	0707034	PLATE, STOP
68	2	0710450	BAR, RETRACT
69	1	0712174	SHAFT, EXTEND CYLINDER
70	1	0712195	SHAFT, EXTEND CYLINDER
71	1	0803441	2ND STAGE BOOM WELDMENT
72	1	0806656	OUTER BOOM WELDMENT
--	--	0903901	INNER BOOM ASSEMBLY
73	1	0303088	BUSHING, PIVOT PIN
74	8	0400044	DRIVE SCREW, #10 X 1/2" RD HD
75	2	0703277	PAD, SLIDER
76	1	0803442	INNER BOOM WELDMENT



# Section VI - PARTS (cont'd)

## SDU/3 LIFT & EXTEND HYDRAULICS



## Section VI - PARTS (cont'd)

### SDU/3 LIFT & EXTEND HYDRAULICS

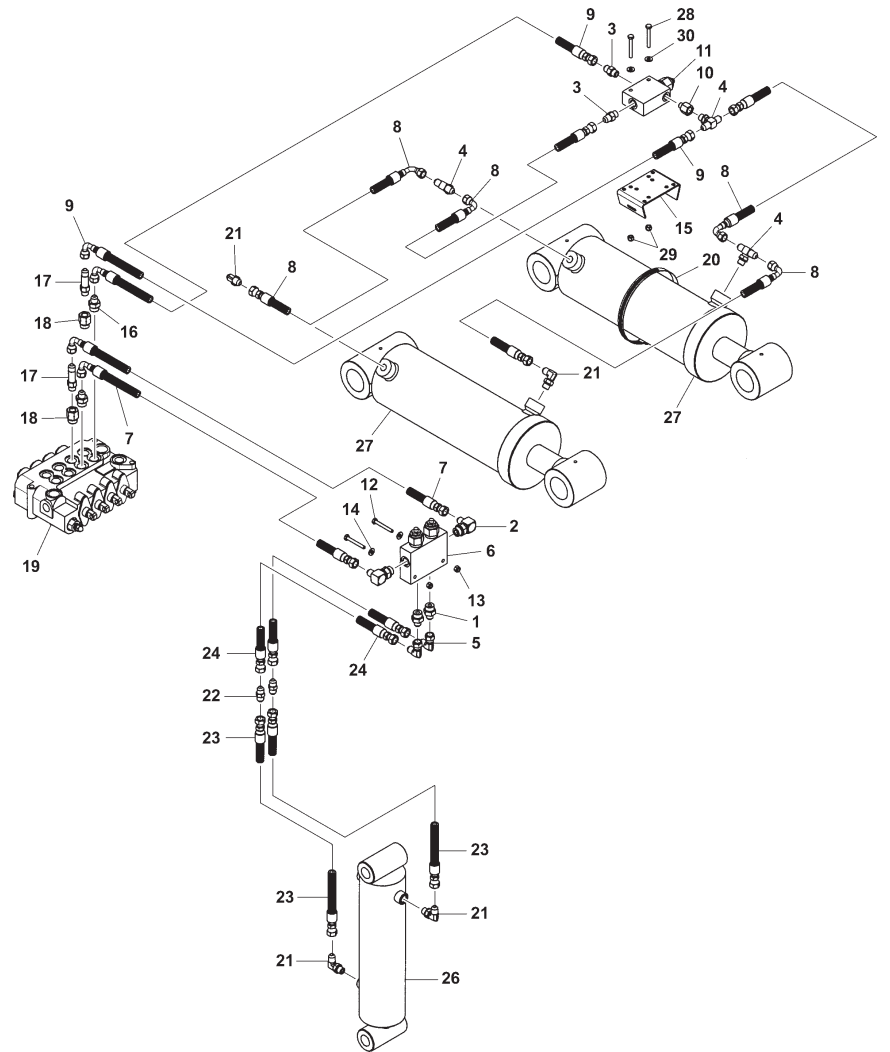
REF. NO.	NO. REQ'D	PART NUMBER	DESCRIPTION
--	--	0904652	INSTALLATION SDU/2 FIXED & ROTATOR
1	2	0301998	HOSE ASSEMBLY, 24"
2	2	0302065	CAP ADAPTER
3	2	0302575	BULKHEAD RUN TEE
4	2	0303170	HOSE ASSEMBLY, 75"
--	--	0904785	HOSE TENSION KIT (NOT SHOWN)
5	4	0400082	1/4-20 X 1.12 EYE BOLT
6	6	0400191	1/2-13X3.75 HHCS GR5 ZP
7	2	0400366	1/4-20 HEX NUT ZP
8	4	0400367	1/4-20 NYLOK HEX NUT ZP
9	6	0400413	1/2-20 NYLOK NUT PLATED
10	2	0400451	1/4 FLATWASHER ZP
11	2	0700188	BRACKET, BULKHEAD
12	4	0703484	PULLEY, HOSE TENSIONER
13	2	0703487	BRACKET, HOSE TENSIONER PULLEY
14	8	0703488	WASHER, HOSE TENSIONER PULLEY
15	4	0714388	ANGLE, NYLON SHEAVE
16	2	AWS-1011-A	SPRING CLAW
--	--	0906748	CONTROL VALVE ASSEMBLY, SDU/2
17	2	0300044	CONNECTOR, 6MJ-8MB
18	2	0302510	CONNECTOR, 6MJ-6MBL

REF. NO.	NO. REQ'D	PART NUMBER	DESCRIPTION
--	--	0906748	CONTROL VALVE ASSEMBLY, SDU/2 (cont'd)
19	2	0303017	CONNECTOR, 8MB-6FB
20	1	0303093	CONTROL VALVE, 4 SPOOL PARKER
--	--	0907809	UNDERLIFT ASSEMBLY, SDU/3
21	1	0300644	HOSE CLAMP, 8"
22	4	0301620	ELBOW, 6MJ-6MB90
23	1	0302000	HOSE ASSEMBLY, 24"
24	2	0303187	HOSE ASSEMBLY, 141"
25	45 FT.	0303193	BLACK SKUFF JACKET SJ16 (NOT SHOWN)
26	1	0307106	CONNECTOR, 4MB-6FB
27	1	0307107	HOLDING VALVE, 4000 PSI SAE
28	1	0307417	TUBE ASSY, 3/8" OD X .035" W X 3"
29	2	0400078	SCREW, 1/4"-20 X 2" HEX HD CAP GR5 ZP
30	4	0400367	NUT, 1/4"-20 NYLOK HEX ZP
31	2	0400451	WASHER, 1/4" FLAT ZP
32	1	0703001	MOUNTING BRACKET, CHECK VALVE
33	1	9012594	RUN TEE, 6MJ-6MB-6MJ
34	1	HC0159	UNDERLIFT LIFT CYLINDER
--	--	0907810	HORIZONTAL BOOM ASSEMBLY, SDU/3
35	2	0301470	ELBOW, 6MJ-8MB90
36	1	0303501	UNDERLIFT EXTEND CYLINDER

# Section VI - PARTS (cont'd)

## SDU/3 TILT & FOLD HYDRAULICS

### WITH 0301730 DOUBLE HOLDING VALVE



# Section VI - PARTS (cont'd)

## SDU/3 TILT & FOLD HYDRAULICS

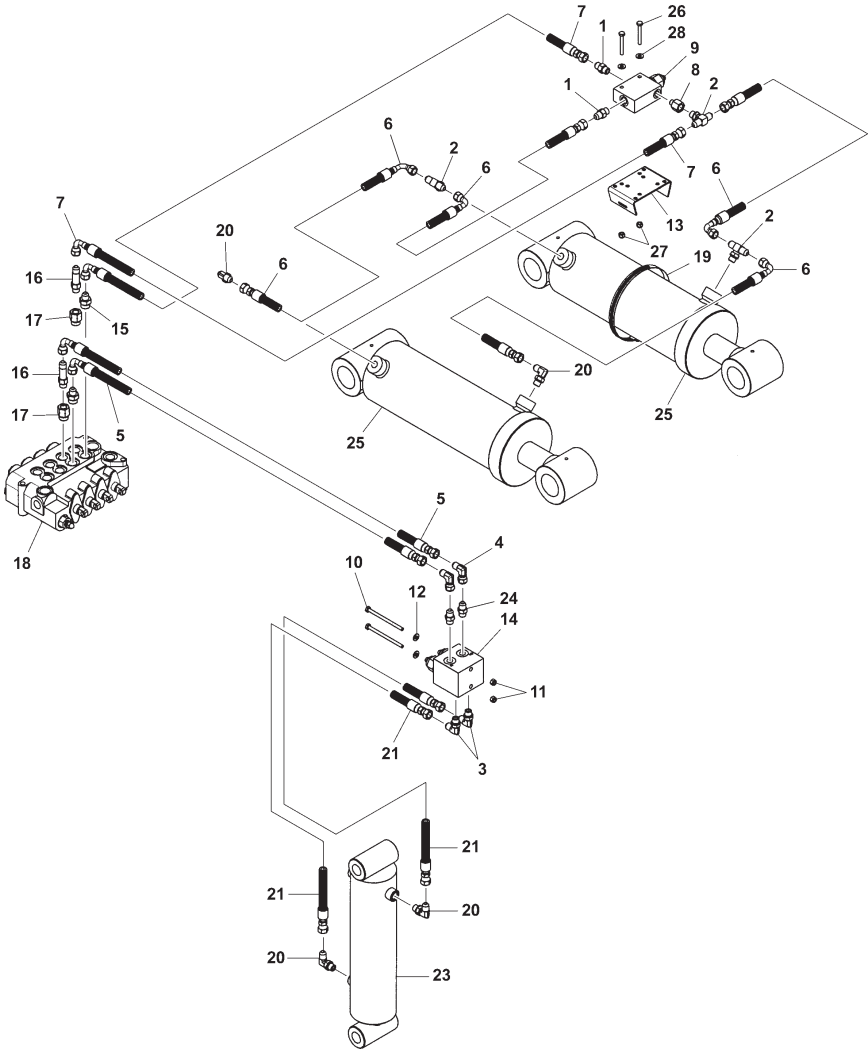
### WITH 0301730 DOUBLE HOLDING VALVE

REF. NO.	NO. REQ'D	PART NUMBER	DESCRIPTION
--	--	0904652	INSTALLATION SDU/2 FIXED & ROTATOR
1	2	0300044	CONNECTOR, 6MJ-8MB
2	2	0301470	ELBOW, 6MJ-8MB90
3	2	0301522	CONNECTOR, 6MJ-6MB
4	3	0301619	BRANCH TEE, 6MJ-6MJ-6MB
5	2	0301696	ELBOW, 6MJ-6FJX90
6	1	0301730	VALVE, DOUBLE HOLDING
7	2	0301998	HOSE ASSEMBLY, 24"
8	4	0302808	HOSE ASSEMBLY, 18"
9	2	0303389	HOSE ASSEMBLY, 46"
10	1	0307106	CONNECTOR, 4MB-6FB
11	1	0307107	VALVE, HOLDING 4000 PSI SAE
12	2	0400078	SCREW, 1/4"-20 X 2" HEX HD CAP GR5 ZP
13	4	0400367	NUT, 1/4"-20 NYLOK HEX ZP
14	2	0400451	WASHER, 1/4" FLAT ZP
15	1	0703001	MOUNTING BRACKET, CHECK VALVE
--	--	0906748	CONTROL VALVE ASSEMBLY, SDU/2
16	2	0300044	CONNECTOR, 6MJ-8MB
17	2	0302510	CONNECTOR, 6MJ-6MBL
18	2	0303017	CONNECTOR, 8MB-6FB
19	1	0303093	CONTROL VALVE, 4 SPOOL PARKER
--	--	0907809	UNDERLIFT SDU/3 ASSY
20	1	0300365	HOSE CLAMP, 7"
21	4	0301620	ELBOW, 6MJ-6MB90
22	2	0301837	INLINE ORIFICE
23	2	0301997	HOSE ASSEMBLY, 18"
24	2	0302813	HOSE ASSEMBLY, 108"
25	45 FT.	0303193	BLACK SKUFF JACKET SJ16
26	1	0306746	UNDERLIFT FOLD CYLINDER
27	2	0307378	UNDERLIFT TILT CYLINDER
28	2	0400078	SCREW, 1/4"-20 X 2" HEX HD CAP GR5 ZP
29	4	0400367	NUT, 1/4"-20 NYLOK HEX ZP
30	2	0400451	WASHER, 1/4" FLAT ZP

# Section VI - PARTS (cont'd)

## SDU/3 TILT & FOLD HYDRAULICS

### WITH 74345 DOUBLE HOLDING VALVE



# Section VI - PARTS (cont'd)

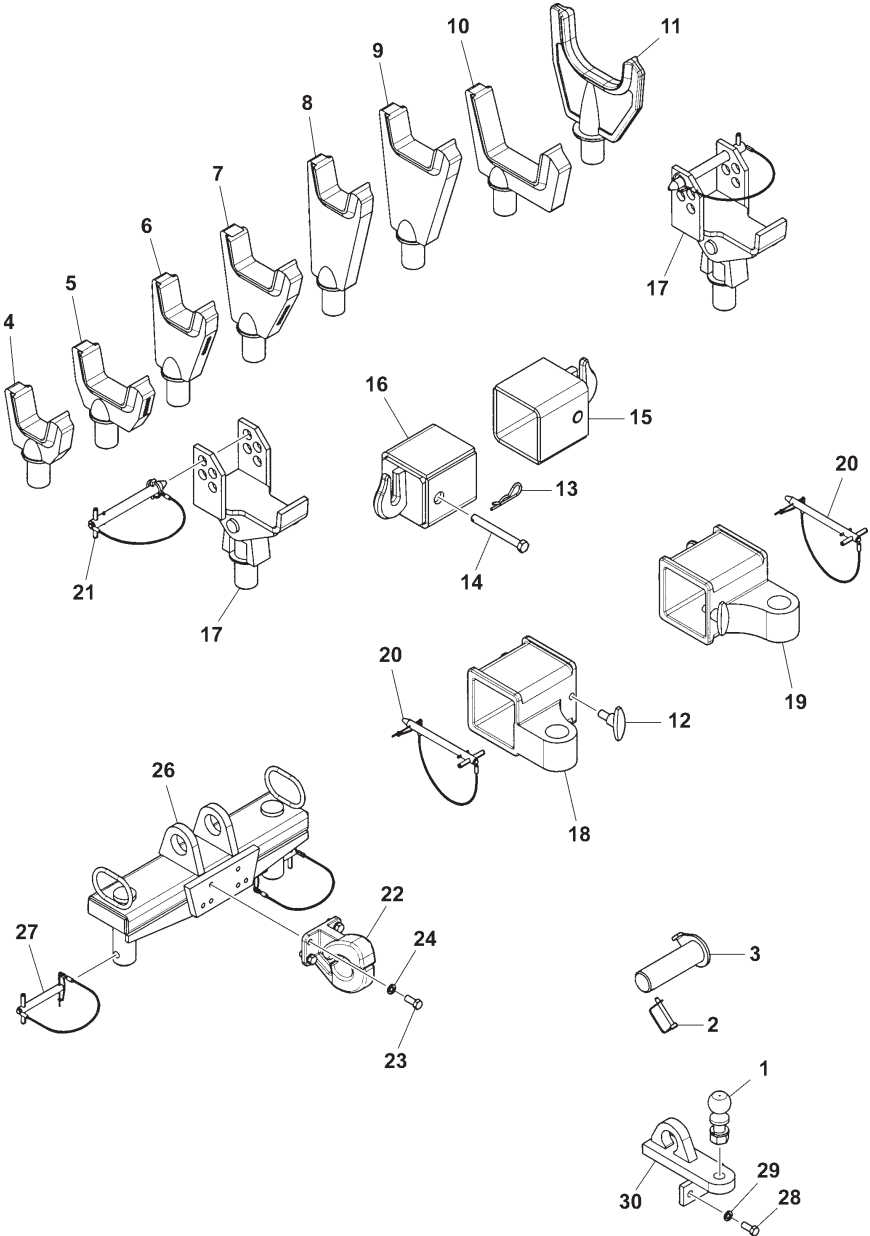
## SDU/3 TILT & FOLD HYDRAULICS

### WITH 74345 DOUBLE HOLDING VALVE

REF. NO.	NO. REQ'D	PART NUMBER	DESCRIPTION
--	--	0904652	INSTALLATION SDU/2 FIXED & ROTATOR
1	2	0301522	CONNECTOR, 6MJ-6MB
2	3	0301619	BRANCH TEE, 6MJ-6MJ-6MB
3	2	0301620	ELBOW, 6MJ-6MB90
4	2	0301696	ELBOW, 6MJ-6FJX90
5	2	0301998	HOSE ASSEMBLY, 24"
6	4	0302808	HOSE ASSEMBLY, 18"
7	2	0303389	HOSE ASSEMBLY, 46"
8	1	0307106	CONNECTOR, 4MB-6FB
9	1	0307107	HOLDING VALVE, 4000 PSI SAE
10	2	0400232	SCREW, 1/4"-20 X 4" HEX HD CAP GR5 ZP
11	4	0400367	NUT, 1/4"-20 NYLOK HEX ZP
12	2	0400451	WASHER, 1/4" FLAT ZP
13	1	0703001	MOUNTING BRACKET, CHECK VALVE
14	1	74345	DOUBLE HOLDING VALVE
--	--	0906748	CONTROL VALVE ASSEMBLY, SDU/2
15	2	0300044	CONNECTOR, 6MJ-8MB
16	2	0302510	CONNECTOR, 6MJ-6MBL
17	2	0303017	CONNECTOR, 8MB-6FB
18	1	0303093	CONTROL VALVE, 4 SPOOL PARKER
--	--	0907809	UNDERLIFT SDU/3 ASSY
19	1	0300365	HOSE CLAMP, 7"
20	4	0301620	ELBOW, 6MJ-6MB90
21	2	0302813	HOSE ASSEMBLY, 108"
22	45 FT.	0303193	BLACK SKUFF JACKET SJ16
23	1	0306746	UNDERLIFT FOLD CYLINDER
24	2	0307042	INLINE ORIFICE
25	2	0307378	UNDERLIFT TILT CYLINDER
26	2	0400078	SCREW, 1/4"-20 X 2" HEX HD CAP GR5 ZP
27	4	0400367	NUT, 1/4"-20 NYLOK HEX ZP
28	2	0400451	WASHER, 1/4" FLAT ZP

# Section VI - PARTS (cont'd)

## SDU/3 LIFT ADAPTERS



## Section VI - PARTS (cont'd)

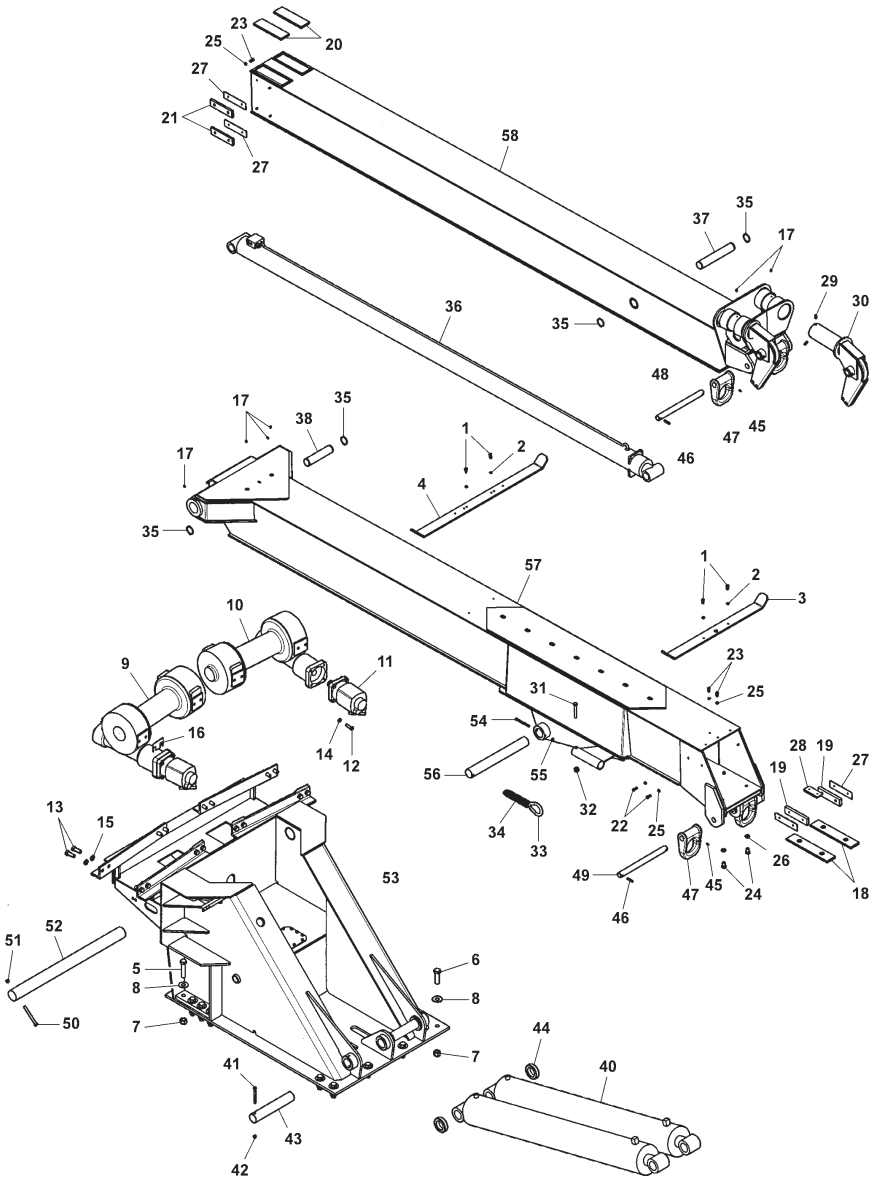
### SDU/3 LIFT ADAPTERS

REF. NO.	NO. REQ'D	PART NUMBER	DESCRIPTION
1	1	0300091	TRAILER BALL, 2"
2	1	HD1259	SAFETY SNAP PIN
3	1	VA0662	PIVOT PIN WELDMENT
--	--	0906613	STANDARD FORK KIT, SDU
4	2	0200018	FORK, SHORT 3" OPENING
5	2	0200019	FORK, SHORT 4-1/2" OPENING
6	2	0200020	FORK, MEDIUM 3" OPENING
7	2	0200021	FORK, MEDIUM 4-1/2" OPENING
8	2	0200022	FORK, LONG 3" OPENING
9	2	0200023	FORK, LONG 4-1/2" OPENING
10	2	0200024	FORK, OFFSET REAR AXLE
11	2	0200042	FORK, MEDIUM ROUND AXLE
12	2	0306564	ALUM T HANDLE, 5/8" X 1-1/4"
13	2	0400585	COTTER PIN, 1-1/4" HAIR PIN
14	2	0711002	BOLT, MODIFIED
15	1	0801186	HDU CHAIN ADAPTER, RT
16	1	0801187	HDU CHAIN ADAPTER, LT
17	2	0802810	PIVOT SPRING LIFT BRACKET
18	1	0803591	FORK ADAPTER, LEFT
19	1	0803592	FORK ADAPTER, RIGHT
20	2	0900900	RETAINER PIN ASSEMBLY
21	2	0902321	RETAINER PIN, SPRING LIFT
--	--	124002211	PINTLE HOOK KIT
22	1	0302198	PINTLE HOOK
23	4	0400177	SCREW, 1/2"-13 X 1-1/4 HEX HD CAP GR5 ZP
24	4	0400491	LOCKWASHER, 1/2" HELICAL ZP
25	1	0500241	DECAL, SAFETY CHAIN WARNING
26	1	0803831	5TH WHEEL & KING PIN ADAPTER
27	2	0902378	RETAINER PIN ASSEMBLY
--	--	124002431	TRAILER BALL KIT
28	2	0400177	SCREW, 1/2"-13 X 1-1/4 HEX HD CAP GR5 ZP
29	2	0400491	LOCKWASHER, 1/2" HELICAL ZP
30	1	0804396	TRAILER BALL BRACKET WELDMENT



# Section VI - PARTS (cont'd)

## 1040B BOOM ASSEMBLY



## Section VI - PARTS (cont'd)

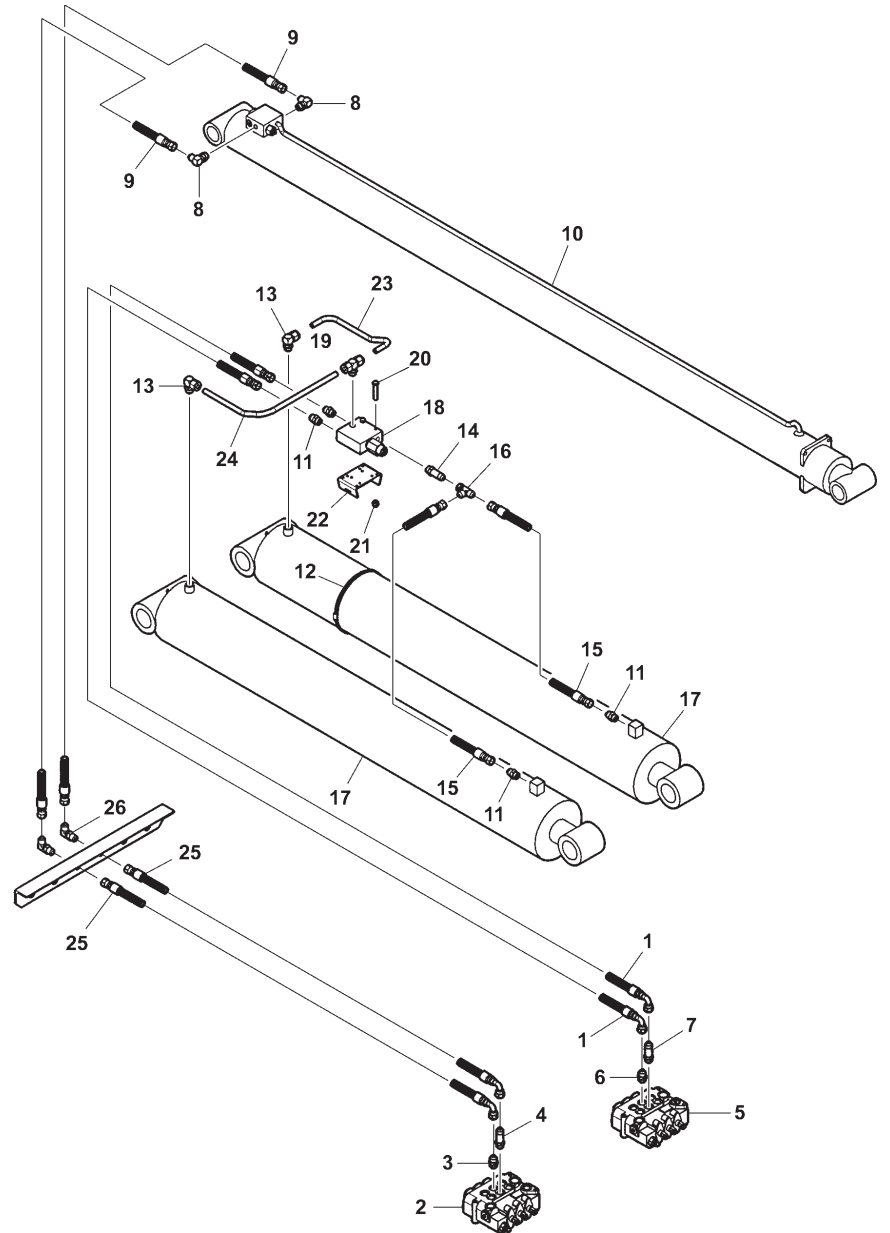
### 1040B BOOM ASSEMBLY

REF. NO.	NO. REQ'D	PART NUMBER	DESCRIPTION
--	--	0901590	WINCH CABLE SUPPORT WING
1	4	0400126	SCREW, 3/8"-16 X 1" HEX HD CAP GR5 ZP
2	4	0400482	LOCKWASHER, 3/8" HELICAL ZP
3	1	0705870	CABLE SUPPORT WING (BOOM END)
4	1	0706042	CABLE WING, LONG 1040 & 1040B
--	--	0902136	WRECKER MOUNTING KIT, 1050
5	8	0400333	SCREW, 1"-8 X 4-1/2" HEX HD CAP GR8 ZP
6	6	0400334	SCREW, 1"-8 X 3-1/2" HEX HD CAP GR8 ZP
7	14	0400443	NUT, 1"-8 NYLOK HEX GR8 ZP
8	14	0400518	WASHER, 1" FLAT ZP
--	--	0904109	WINCH KIT, 1040B-SDU/2
9	1	0301110	WINCH, H-800 LEFT
10	1	0301111	WINCH, H-800 RIGHT
11	2	0301112	HYDRAULIC MOTOR, 925
12	8	0400188	SCREW, 1/2"-13 X 2" HEX HD CAP GR5 ZP
13	16	0400283	SCREW, 3/4"-10 X 2" HEX HD CAP GR5 ZP
14	8	0400491	LOCKWASHER, 1/2" HELICAL ZP
15	16	0400511	LOCKWASHER, 3/4" HELICAL ZP
16	8	0706668	SHIM, WINCH MOUNTING
--	--	0904640	BOOM HARDWARE KIT, 1040 & 1040S
17	6	0300113	GREASE FITTING, 1/4"-28 STRAIGHT
18	2	0301923	SLIDE PAD, BOOM BOTTOM
19	4	0301924	SLIDE PAD, BOOM SIDE
20	2	0302290	SLIDE PAD
21	4	0303892	SLIDE PAD, BOOM SIDE
22	4	0400126	SCREW, 3/8"-16 X 1" HEX HD CAP GR5 ZP
23	10	0400141	SCREW, 3/8"-16 X 7/8" HEX HD CAP GR5 ZP
24	4	0400248	SCREW, 5/8"-11 X 1" HEX HD CAP GR8 ZP
25	14	0400482	LOCKWASHER, 3/8" HELICAL ZP
26	4	0400508	LOCKWASHER, 5/8" HELICAL ZP
27	6	0703734	SHIM, SIDE PLATE OUTER BOOM
28	1	0705903	SPACER, TOP (OUTER BOOM)
--	--	0906529	BOOM SWIVEL KIT
29	6	0400554	ROLL PIN, 3/8" X 1" ZP
30	2	0906530	BOOM SWIVEL ASSEMBLY

REF. NO.	NO. REQ'D	PART NUMBER	DESCRIPTION
--	--	0906572	WINCH CABLE STOW KIT
31	2	0400265	SCREW, 5/8"-11 X 4" HEX HD CAP GR5 ZP
32	2	0400421	NUT, 5/8"-11 NYLOK HEX ZP
33	2	9048800	WELDLESS CHAIN LINK, 5/8"
34	2	945030007	CABLE TIE BACK SPRING, 1"
--	--	0906727	EXTEND CYLINDER KIT
35	4	0300329	SNAP RING, 2" EXTERNAL
36	1	0306743	CYLINDER, BOOM EXTEND
37	1	0705908	SHAFT, ROD END
38	1	0705909	SHAFT, BASE END
--	--	0906975	LIFT CYLINDER KIT, 1040S
39	4	0300113	GREASE FITTING, 1/4"-28 STRAIGHT
40	2	0302792	CYLINDER, BOOM LIFT
41	2	0400172	SCREW, 3/8"-16 X 4-1/2" HEX HD CAP GR8 ZP
42	4	0400392	NUT, 3/8"-16 NYLOK HEX ZP
43	2	0703737	SHAFT, LIFT CYLINDER PIVOT
44	2	0716786	BOSS, LOWER LIFT CYLINDER PIVOT
--	--	0907007	"D" RINGS, INNER & OUTER
45	4	0300113	GREASE FITTING, 1/4"-28 STRAIGHT
46	4	0400564	ROLL PIN, 3/8" X 1-3/4" ZP
47	4	0708555	TOWING "D" RING
48	1	0710638	PIN, "D" RING
49	1	0710643	PIN, "D" RING
--	--	0907342	WRECKER FRAME ASSEMBLY, 1040B
50	1	0400206	SCREW, 1/2"-13 X 5" HEX HD CAP GR5 ZP
51	1	0400408	NUT, 1/2"-13 NYLOK HEX ZP
52	1	0703738	SHAFT, BOOM
53	1	0806518	WRECKER FRAME WELDMENT, 1040B
--	--	0907343	BOOM ASSEMBLY, 1040B
54	1	0400172	SCREW, 3/8"-16 X 4-1/2" HEX HD CAP GR8 ZP
55	1	0400392	NUT, 3/8"-16 NYLOK HEX ZP
56	1	0703736	SHAFT, CYLINDER PIVOT
57	1	0805906	OUTER BOOM WELDMENT, 1040S
58	1	0806519	INNER BOOM WELDMENT, 1040B

# Section VI - PARTS (cont'd)

## 1040B BOOM HYDRAULICS



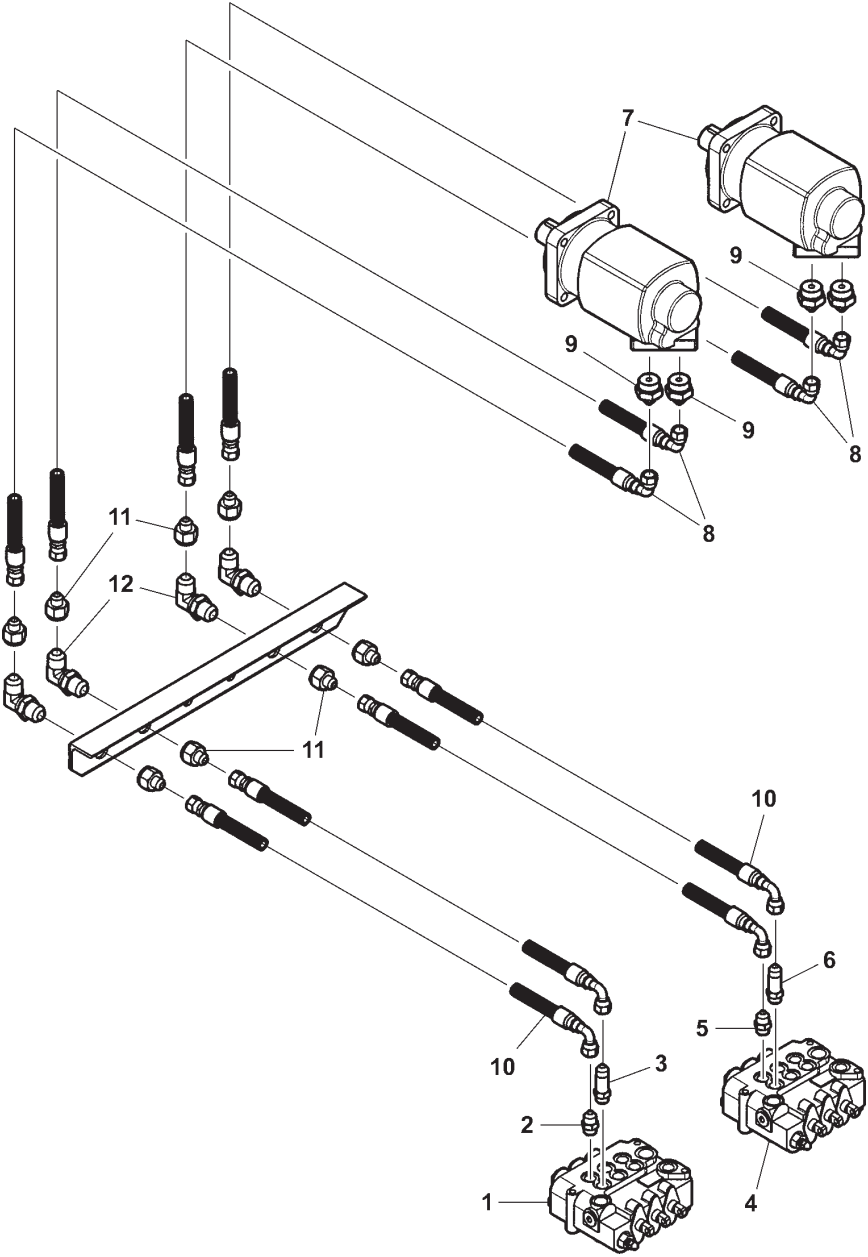
## Section VI - PARTS (cont'd)

### 1040B BOOM HYDRAULICS

REF. NO.	NO. REQ'D	PART NUMBER	DESCRIPTION
--	--	0902136	WRECKER MOUNTING KIT, 1050
1	2	0305068	HOSE ASSEMBLY, 86"
--	--	0904010	CONTROL VALVE ASSEMBLY, LEFT
2	1	0300010	VALVE, 3 SPOOL CONTROL VDP11DDD108
3	2	0300041	CONNECTOR, 8MJ-8MB
4	2	0301445	CONNECTOR, 8MJ-8MBL
--	--	0904011	CONTROL VALVE ASSEMBLY, RIGHT
5	1	0300010	VALVE, 3 SPOOL CONTROL VDP11DDD108
6	2	0300041	CONNECTOR, 8MJ-8MB
7	2	0301445	CONNECTOR, 8MJ-8MBL
--	--	0906727	EXTEND CYLINDER KIT
8	2	0301388	ELBOW, 8MJ-8MB90
9	2	0301529	HOSE ASSEMBLY, 58"
10	1	0306743	CYLINDER, BOOM EXTEND
--	--	0906975	LIFT CYLINDER KIT, 1040S
11	4	0300041	CONNECTOR, 8MJ-8MB
12	1	0300644	HOSE CLAMP, 8"
13	2	0300901	ELBOW, LENZ A-400-8
14	1	0301445	EXTENDED CONNECTOR, 8MJ-8MBL
15	2	0301471	HOSE ASSEMBLY, 30"
16	1	0302052	RUN TEE, 8MJ-8FJX-8MJ
17	2	0302792	CYLINDER, BOOM LIFT
18	1	0303165	HOLDING VALVE
19	1	0306881	MALE BRANCH TEE, 8MB-8TB-8TB
20	2	0400146	SCREW, 3/8"-16 X 2-1/4" HEX HD CAP GR5 ZP
21	2	0400392	NUT, 3/8"-16 NYLOK HEX ZP
22	1	0703001	MOUNTING BRACKET, CHECK VALVE
23	1	0716264	TUBE, HYD ELEV CYLINDER
24	1	0716265	TUBE, HYD ELEV CYLINDER
--	--	19119008	HOSE KIT, 1040B
25	2	0303040	HOSE ASSEMBLY, 115"
--	--	19119009	BULKHEAD HYDRAULICS KIT, 1040B
26	2	0303590	BULKHEAD ELBOW, 8MJ90 W/NUT

# Section VI - PARTS (cont'd)

## WINCH HYDRAULICS



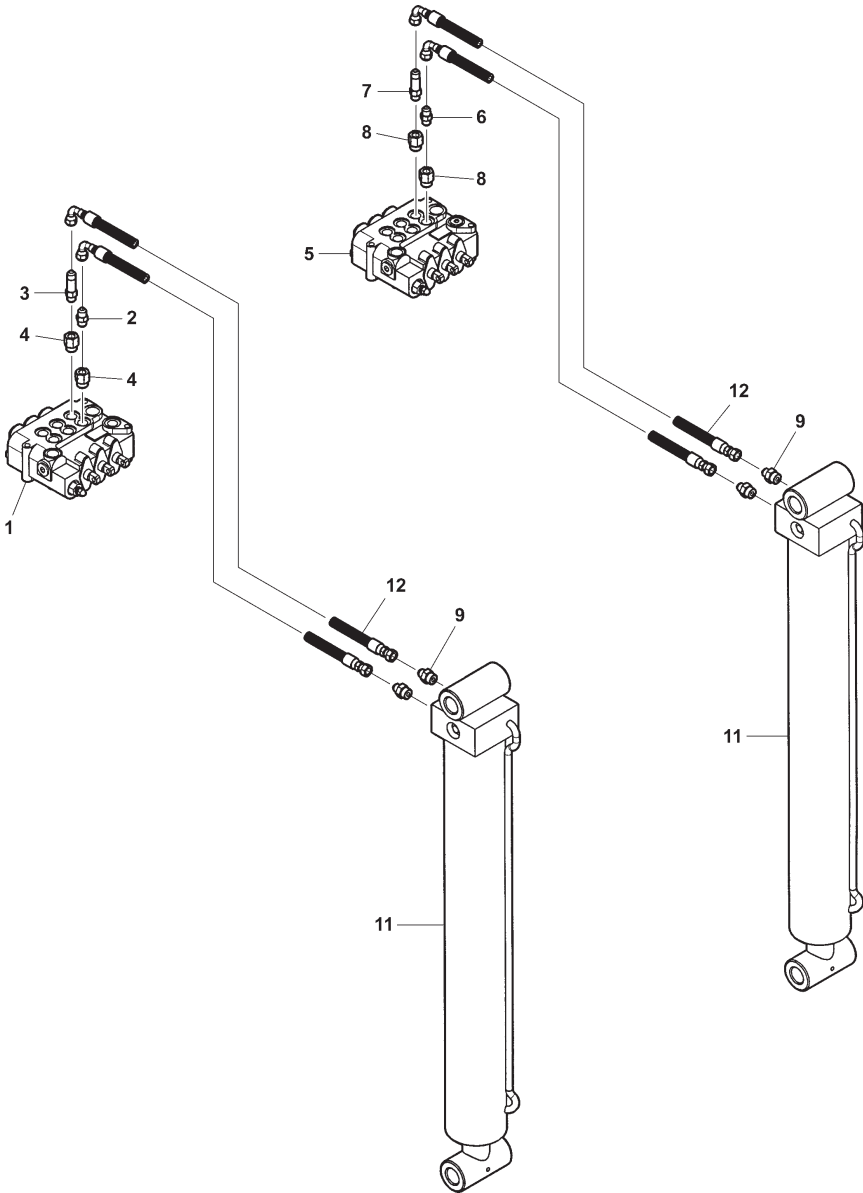
## Section VI - PARTS (cont'd)

### WINCH HYDRAULICS

REF. NO.	NO. REQ'D	PART NUMBER	DESCRIPTION
--	--	0904010	CONTROL VAVLE ASSEMBLY, LEFT
1	1	0300010	VALVE, 3 SPOOL CONTROL VDP11DDD108
2	2	0300041	CONNECTOR, 8MJ-8MB
3	2	0301445	CONNECTOR, 8MJ-8MBL
--	--	0904011	CONTROL VAVLE ASSEMBLY, RIGHT
4	1	0300010	VALVE, 3 SPOOL CONTROL VDP11DDD108
5	2	0300041	CONNECTOR, 8MJ-8MB
6	2	0301445	CONNECTOR, 8MJ-8MBL
--	--	0904109	WINCH KIT, 1040B-SDU/2
7	2	0301112	HYDRAULIC MOTOR, 925
8	4	0301893	HOSE ASSEMBLY, 84"
9	4	0302757	CONNECTOR, 8MJ-16MB
--	--	19119008	HOSE KIT, 1040B
10	4	0303040	HOSE ASSEMBLY, 115"
--	--	19119009	BULKHEAD HYDRAULICS KIT, 1040B
11	8	0301372	CONNECTOR, 12FJ-8MJ
12	4	0301982	BULKHEAD ELBOW, 12MJ90 W/NUT

# Section VI - PARTS (cont'd)

## SPADE HYDRAULICS



## Section VI - PARTS (cont'd)

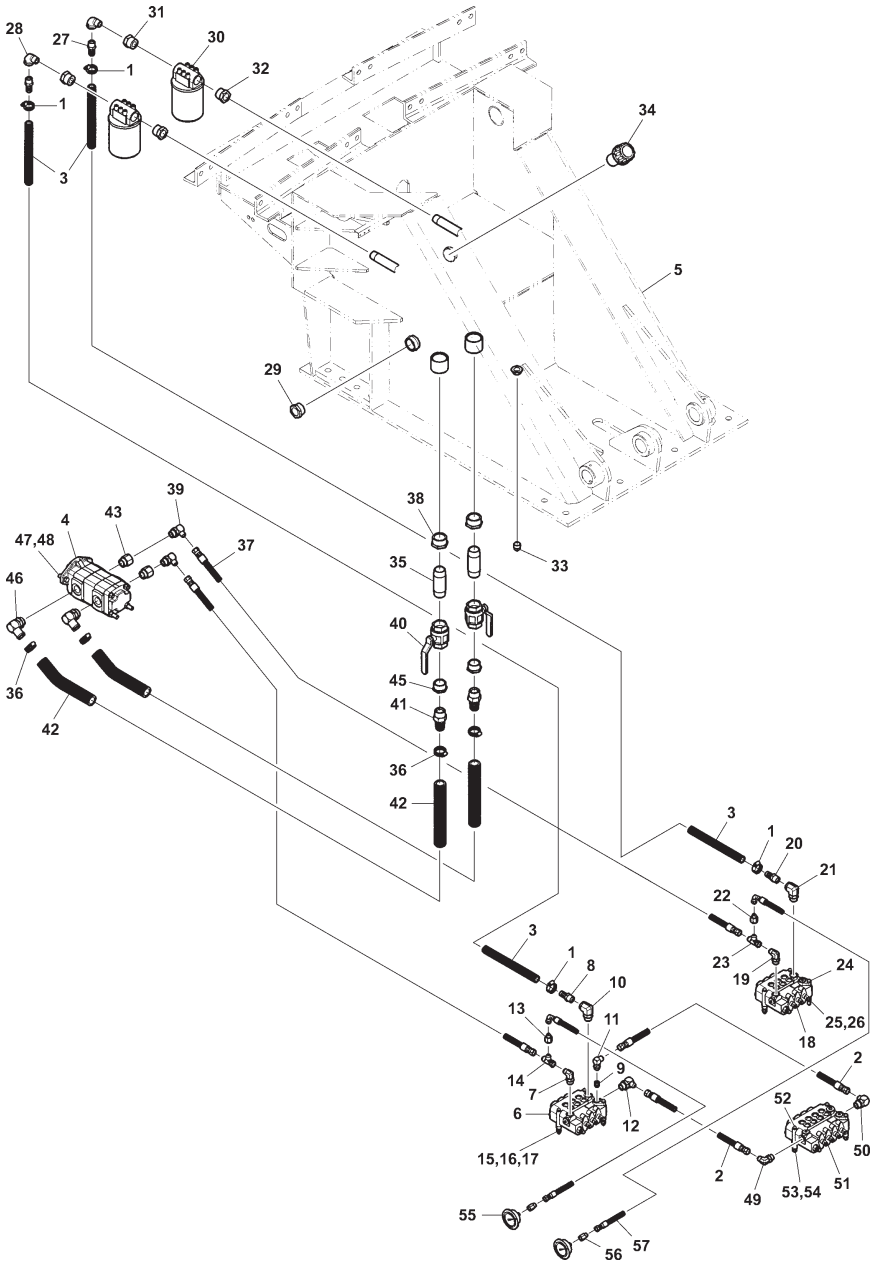
### SPADE HYDRAULICS

REF. NO.	NO. REQ'D	PART NUMBER	DESCRIPTION
--	--	0904010	CONTROL VAVLE ASSEMBLY, LEFT
1	1	0300010	VALVE, 3 SPOOL CONTROL VDP11DDD108
2	1	0301522	CONNECTOR, 6MJ-6MB
3	1	0302510	EXTENDED CONNECTOR, 6MJ-6MBL
4	2	0303017	CONNECTOR, 8MB-6FB
--	--	0904011	CONTROL VAVLE ASSEMBLY, RIGHT
5	1	0300010	VALVE, 3 SPOOL CONTROL VDP11DDD108
6	1	0301522	CONNECTOR, 6MJ-6MB
7	1	0302510	EXTENDED CONNECTOR, 6MJ-6MBL
8	2	0303017	CONNECTOR, 8MB-6FB
--	--	0906313	SPADE ASSEMBLY, REAR HYDRAULIC
9	4	0300044	CONNECTOR, 6MJ-8MB
10	12	0300134	HOSE CLAMP, 1" INSULATED
11	2	0303691	CYLINDER, REAR SPADE
12	4	0303748	HOSE ASSEMBLY, 136"



# Section VI - PARTS (cont'd)

## PUMP, VALVE & FILTER HYDRAULICS



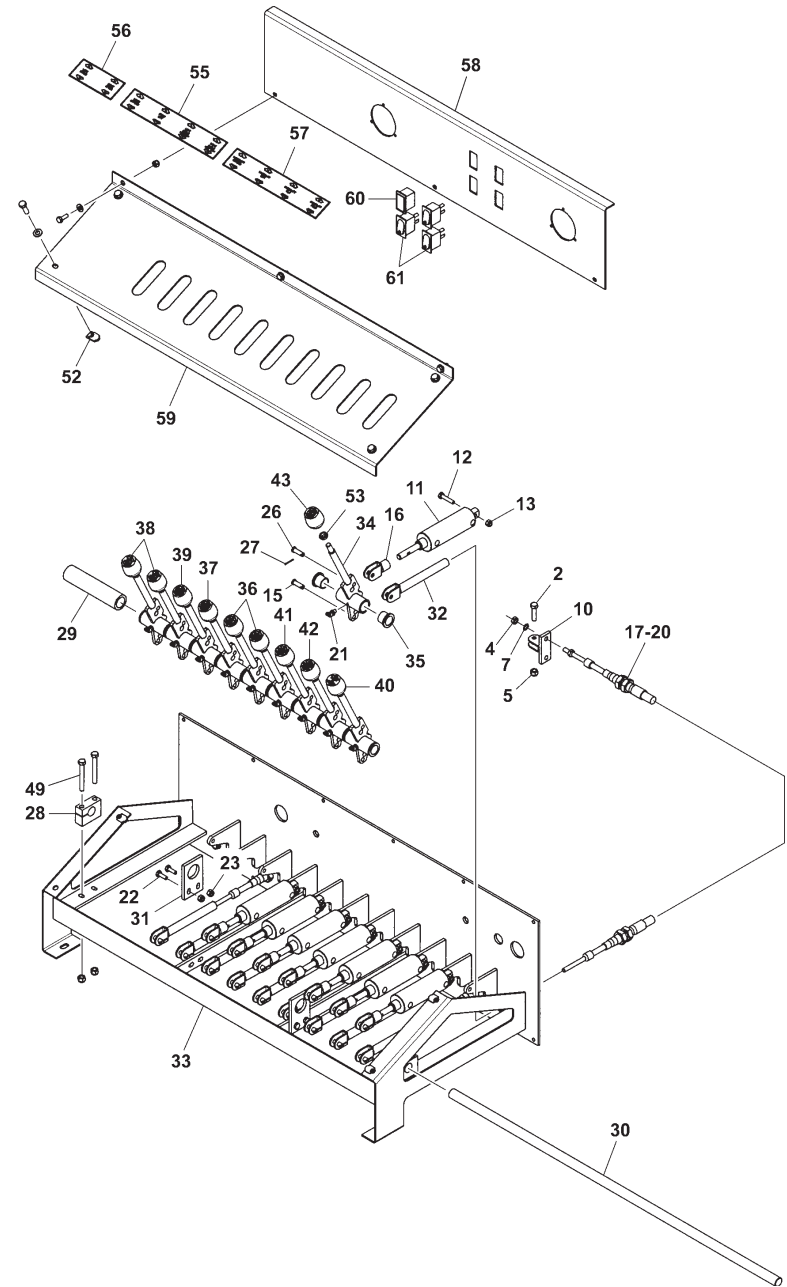
## Section VI - PARTS (cont'd)

### PUMP, VALVE & FILTER HYDRAULICS

REF. NO.	NO. REQ'D	PART NUMBER	DESCRIPTION
1	8	0300071	HOSE CLAMP, 1"
2	2	0300659	HOSE ASSEMBLY, 45"
3	18 FT.	0301674	HOSE 3/4" RETURN GATES RAW MAT
4	1	0303867	PUMP, BI-ROTATIONAL
5	REF.	0806518	WRECKER FRAME WELDMENT, 1040B
--	--	0904010	CONTROL VAVLE ASSEMBLY, LEFT
6	1	0300010	VALVE, 3 SPOOL CONTROL
7	1	0300052	ELBOW, 8MJ-10MB90
8	1	0300055	HOSE BARB, 12C4-12MP
9	1	0300286	FITTING, HP CARRY OVER
10	1	0301375	ELBOW, 12MB-12FP90
11	1	0301388	ELBOW, 8MJ-8MB90
12	1	0301547	ELBOW, 8MJ-12MB90
13	1	0301995	ADAPTER, 8FJ-6MJ
14	1	0302052	RUN TEE, 8MJ-8FJX-8MJ
15	3	0400135	SCREW, 3/8"-16 X 4-1/2" HEX HD CAP GR5 ZP
16	3	0400392	NUT, 3/8"-16 NYLOK HEX ZP
17	3	0704045	SPACER, CONTROL VALVE
--	--	0904011	CONTROL VAVLE ASSEMBLY, RIGHT
18	1	0300010	VALVE, 3 SPOOL CONTROL
19	1	0300052	ELBOW, 8MJ-10MB90
20	1	0300055	HOSE BARB, 12C4-12MP
21	1	0301375	ELBOW, 12MB-12FP90
22	1	0301995	ADAPTER, 8FJ-6MJ
23	1	0302052	RUN TEE, 8MJ-8FJX-8MJ
24	3	0400135	SCREW, 3/8"-16 X 4-1/2" HEX HD CAP GR5 ZP
25	3	0400392	NUT, 3/8"-16 NYLOK HEX ZP
26	3	0704045	SPACER, CONTROL VALVE
--	--	0904108	TANK KIT, 1040B
27	2	0300055	HOSE BARB, 12C4-12MP
28	2	0300288	STREET ELBOW, 3/4" NPT 90
29	1	0301541	SIGHT GAGE, TYPE SVM-24
30	2	0301894	FILTER ASSEMBLY, RETURN LINE

REF. NO.	NO. REQ'D	PART NUMBER	DESCRIPTION
--	--	0904108	TANK KIT, 1040B (cont'd)
31	2	0302106	REDUCER BUSHING, 20MP-12FP
32	2	0302108	REDUCER BUSHING, 20MP-16FP
33	1	0303155	PIPE PLUG, 3/4" NPT MAGNETIC
34	1	0305006	FILLER CAP
--	--	0904548	PUMP KIT, 5030
35	2	0300348	NIPPLE, 1-1/2" X 5"
36	8	0300364	HOSE CLAMP, 1" TO 2-1/4"
37	2	0300660	HOSE ASSEMBLY, 120"
38	2	0301373	PIPE BUSHING, 2" NPT TO 1-1/2" NPT
39	2	0301547	ELBOW, 8MJ-12MB90
40	2	0302088	BALL VALVE
41	2	0302698	HOSE BARB, 20C4-20MP
42	35 FT.	0302756	SUCTION HOSE, 1-1/4" ID 100R4
43	2	0302906	ADAPTER, 16MB-12FB
44	12	0303290	CLAMP, 2-1/2" INSULATED
45	2	0303463	BUSHING, 1-1/2" MP X 1-1/4" FP
46	2	0306539	HOSE BARB, 20C4-16MB90
47	2	0400181	SCREW, 1/2"-13 X 1-1/2" HEX HD CAP GR5 ZP
48	2	0400491	LOCKWASHER, 1/2" HELICAL ZP
--	--	0906748	CONTROL VAVLE ASSEMBLY, SDU/2
49	1	0300052	ELBOW, 8MJ-10MB90
50	1	0301547	ELBOW, 8MJ-12MB90
51	1	0303093	VALVE, 4 SPOOL PARKER
52	3	0400231	SCREW, 3/8"-16 X 5" HEX HD CAP GR5 ZP
53	3	0400392	NUT, 3/8"-16 NYLOK HEX ZP
54	3	0715508	SPACER, CONTROL VALVE
--	--	0907292	LEFT CONTROL ASSEMBLY
55	2	0302205	GAUGE, FLUSH MOUNT 6000 PSI
56	2	0302577	CONNECTOR, 6MJ-4FP
--	--	19119008	HOSE KIT, 1040B
57	2	0301965	HOSE ASSEMBLY, 131"

# Section VI - PARTS (cont'd) CONTROL ASSEMBLY



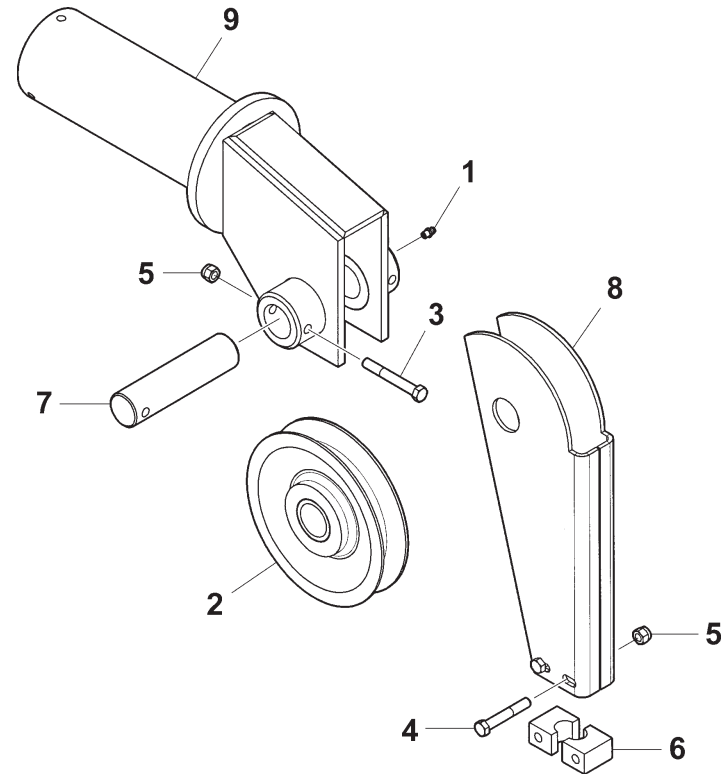
## Section VI - PARTS (cont'd)

### CONTROL ASSEMBLY

REF. NO.	NO. REQ'D	PART NUMBER	DESCRIPTION
--	--	0906752	LEFT & RIGHT CONTROL LINK KIT
1	4	0303008	ADJUSTABLE CLEVIS
2	10	0400112	SCREW, 5/16"-24 X 1-1/4" HEX HD CAP GR5 ZP
3	6	0400122	SCREW, 3/8"-16 X 1-1/4" HEX HD CAP GR5 ZP
4	30	0400383	NUT, 5/16"-24 HEX ZP
5	10	0400384	NUT, 5/16"-24 NYLOK HEX ZP
6	6	0400392	NUT, 3/8"-16 NYLOK HEX ZP
7	28	0400466	LOCKWASHER, 5/16" INT. TOOTH
8	2	0711249	PLATE, CONTROL BULKHEAD (N.S.)
9	1	0711251	PLATE, CONTROL BULKHEAD (N.S.)
10	6	0801054	CONNECTOR, CONTROL CABLE
--	--	0907131	16 FUNCTION AIR ASSEMBLY
11	8	0306698	AIR CYLINDER, 1.5 BORE X 1.71 STROKE
12	8	0400057	SCREW, 1/4"-20 X 1-1/4" HEX HD CAP
13	8	0400367	NUT, 1/4"-20 NYLOK HEX ZP
14	8	0400401	NUT, 7/16"-20 HEX JAM PL
15	8	0400527	CLEVIS PIN, 5/16" X 5/8"
16	8	0803181	CLEVIS WELDMENT
--	--	0907292	LEFT CONTROL ASSEMBLY (10 HANDLE)
17	4	0301884	CONTROL CABLE, 96"
18	10	0301969	CONTROL CABLE, 84"
19	4	0302455	CONTROL CABLE, 79"
20	2	0302457	CONTROL CABLE, 104"
21	20	0302726	GREASE FITTING, 1/4"-28
22	8	0400066	SCREW, 1/4"-20 X 3/4" HEX HD CAP GR5 ZP
23	8	0400367	NUT, 1/4"-20 NYLOK HEX ZP
24	20	0400383	NUT, 5/16"-24 HEX ZP
25	20	0400393	NUT, 3/8"-16 HEX JAM ZP
26	20	0400532	CLEVIS PIN, 5/16" X 1" ZP
27	20	0400541	COTTER PIN, 1/16" X 3/4"
28	4	0711235	SHAFT CLAMP, CONTROL BOX
29	2	0717206	SPACER TUBE, 1-1/4" OD
30	2	0717270	CONTROL HANDLE PIN (10,11,12)
31	4	0717461	PLATE, SUPPORT SHAFT

REF. NO.	NO. REQ'D	PART NUMBER	DESCRIPTION
--	--	0907292	LEFT CONTROL ASSEMBLY (cont'd)
32	20	0806006	CLEVIS WELDMENT
33	2	0806009	CONTROL FRAME WELDMENT (10,11,12 HND)
--	--	0907441	CONTROL HANDLE ASSEMBLY, SHORT
34	20	0806515	CONTROL HANDLE WELDMENT
35	40	9053524	BEARING BR. FLG.752 X .879x.75
--	--	19119011	CONTROL KIT, LH & RH KNOB DECAL PANEL
36	4	0300834	KNOB, RED (IN-OUT)
37	2	0300835	KNOB, BOOM (UP-DOWN)
38	4	0300836	KNOB, JACK (UP-DOWN)
39	2	0300837	KNOB, BOOM (IN-OUT)
40	2	0302856	KNOB, TILT 3/8"-16 THREAD
41	2	0303380	KNOB, UNDERLIFT (IN-OUT)
42	2	0303381	KNOB, UNDERLIFT (UP-DOWN)
43	2	0303382	KNOB, FOLD (UP-DOWN)
44	4	0307166	PLUG, 7/8"
45	12	0400005	SCREW, #6-32 X 1/2" RD HD PH SS
46	6	0400061	SCREW, 1/4"-20 X 3/4" MACH SCREW
47	24	0400062	SCREW, 1/4"-20 X 3/4" THRD CUT HEX
48	8	0400101	SCREW, 5/16"-18 X 1" RD MACH HD SS
49	8	0400107	SCREW, 5/16"-18 X 2-1/2" HEX HD CAP GR5 ZP
50	8	0400367	NUT, 1/4"-20 NYLOK HEX ZP
51	6	0400369	NUT, 1/4" "J" TYPE TINNERMAN
52	8	0400379	NUT, 5/16"-18 "J" TINNERMAN
53	20	0400393	NUT, 3/8"-16 HEX JAM ZP
54	12	0402094	NUT, HEX 6-32 SS
55	2	0500914	DECAL, CONTROL PANEL WRECKER
56	2	0500915	DECAL, CONTROL PANEL SPADE
57	2	0500918	DECAL, CONTROL PANEL SDU/2
58	2	0717272	PANEL, GAUGE (10,11,12 HANDLE)
59	2	0717350	PANEL, CONTROL (12 HANDLE)
60	2	9024011	LIGHT, AMBER MCGILL 0890-0002
61	6	9024041	SWITCH, MCGILL 0852-0110

## Section VI - PARTS (cont'd) BOOM SWIVEL ASSEMBLY



REF. NO.	NO. REQ'D	PART NUMBER	DESCRIPTION
--	--	0906530	BOOM SWIVEL ASSEMBLY
1	2	0300113	GREASE FITTING, 1/4"-28 STRAIGHT
2	2	0300626	SHEAVE, 8"
3	2	0400133	SCREW, 3/8"-16 X 3" HEX HD CAP GR5 ZP
4	4	0400150	SCREW, 3/8"-16 X 2-1/2" HEX HD CAP GR5 ZP
5	6	0400392	NUT, 3/8"-16 NYLOK HEX ZP
6	4	0700801	GUIDE, BOTTOM CABLE
7	2	0716134	SHEAVE SHAFT
8	2	0800286	CABLE GUIDE
9	2	0804448	BOOM END SWIVEL WELDMENT

## Section VI - PARTS (cont'd)

### HYDRAULIC CYLINDERS

REF. NO.	NO. REQ'D	PART NUMBER	DESCRIPTION
1	2	0302792 0304528	CYLINDER, BOOM LIFT SEAL KIT, BOOM LIFT CYLINDER
2	1	0303501 0304590	CYLINDER, UNDERLIFT EXTEND SEAL KIT, UNDERLIFT EXTEND CYLINDER
3	2	0303691 HOL0304627	SPADE CYLINDER SEAL KIT, SPADE CYLINDER
4	1	0306743 0304625	CYLINDER, BOOM EXTEND SEAL KIT, BOOM EXTEND CYLINDER
5	1	0306746 0304609	CYLINDER, UNDERLIFT FOLD SEAL KIT, UNDERLIFT FOLD CYLINDER
6	2	0307378 --	CYLINDER, UNDERLIFT TILT SEAL KIT, UNDERLIFT TILT CYLINDER
7	1	HC0159 0304522	CYLINDER, UNDERLIFT LIFT SEAL KIT, UNDERLIFT LIFT CYLINDER

## Section VI - PARTS (cont'd)

### MISCELLANEOUS KITS

REF. NO.	NO. REQ'D	PART NUMBER	DESCRIPTION
--	--	0902333	GLAD HAND KIT
1	1	0301909	RECEPTACLE BOOT
2	2	0301944	GLAD HAND COUPLING, UNIVERSAL
3	2	0301945	GLAD HAND PLUG
4	2	0301946	BULKHEAD CONNECTOR
5	1	0301948	HD 7 WAY TRAILER CONNECTOR
6	2	0400070	SCREW, 1/4"-20 X 1" HEX HD CAP GR5 ZP
7	2	0400367	NUT, 1/4"-20 NYLOK HEX ZP
8	2	0400451	WASHER, 1/4" FLAT ZP
--	--	0903069	BACK UP ALARM KIT
9	2	0300077	WIRE, 16 GA, RED
10	6	0300153	WIRE CONNECTOR
11	0.25	0301812	HEAT SHRINK TUBE, 1/4" MELT
12	1	0303061	BACK UP ALARM, ECCO MS97
13	1	0303178	HEAT SHRINK, 1/4" (4 FT. LONG)
14	2	0400057	SCREW, 1/4"-20 X 1-1/4" HEX HD CAP
15	2	0400367	NUT, 1/4"-20 NYLOK HEX ZP
16	1	0500676	INSTR-INSTL BACKUP ALARM
--	--	0904353	CHAIN RACK, ALUMINUM BODY
17	3	0400133	SCREW, 3/8"-16 X 3" HEX HD CAP GR5 ZP
18	3	0400392	NUT, 3/8"-16 NYLOK HEX ZP
19	1	0803768	CHAIN HANGER WELDMENT
--	--	0906256	TRAY KIT
20	3	0400105	SCREW, 5/16"-18 X 1-1/4" SELF TAP
21	2	0400133	SCREW, 3/8"-16 X 3" HEX HD CAP GR5 ZP
22	2	0400392	NUT, 3/8"-16 NYLOK HEX ZP
23	2	0400480	WASHER, 3/8" FLAT ZP
24	1	0804229	TRAY WELDMENT
--	--	0906837	GROUND KIT BODY HARNESS
25	4	0302433	CABLE TIE, 7" 50 LB
26	4	0306941	GROUND CABLE, 42"
27	4	0400382	NUT, 5/16"-18 NYLOK HEX ZP
28	8	0400481	LOCKWASHER, 3/8" EXT. TOOTH
29	4	0402043	SCREW, 3/8"-16 X 1-1/4" HEX HD CAP SS
30	8	0402122	NUT, 3/8"-16 HEX 316 SS
31	10	GV57	RUBBER GROMMET

## Section VI - PARTS (cont'd)

### MISCELLANEOUS KITS (cont'd)

REF. NO.	NO. REQ'D	PART NUMBER	DESCRIPTION
--	--	0906838	GROUND KIT MTG. HARNESS CENTURY
32	1	0400126	SCREW, 3/8"-16 X 1" HEX HD CAP GR5 ZP
33	1	0400382	NUT, 5/16"-18 NYLOK HEX ZP
34	1	0400481	LOCKWASHER, 3/8" EXT. TOOTH
35	1	0400499	LOCKWASHER, 3/4" EXT. TOOTH
36	1	0402122	NUT, 3/8"-16 HEX 316 SS
37	1	0716468	GROUNDING LUG
--	--	124002441	ENFO III ENGINE INFO SYSTEM
38	1	0306948	ENFO III ENGINE INFO MONITOR
39	4	0402012	SCREW, #10-24 X 1-1/4" OVAL HD SS
40	2	0402021	SCREW, 1/4"-20 X 1" HEX HD CAP SS
41	4	0402101	NUT, #10-24 HEX 8-18 SS
42	4	0402102	LOCKWASHER, #10 8-18 SS
43	4	0402110	WASHER, 1/4" FLAT SS
44	2	0402111	LOCKWASHER, 1/4" 316 SS
45	2	0402112	NUT, 1/4"-20 HEX 316 SS
46	1	0716382	PANEL, ENFO CENTER ADD-ON
--	--	124002543	REMOTE CONTROL 16 FUNCTION UPGRADE
--	--	0907752	SHIP REMOTE CTL 16 FUNC UPGRADE
47	1	0303928	LEGEND SHEET, POWER-PAL
48	1	0907559	GROUND KIT, BODY (POWER-PAL)
49	24	0302433	CABLE TIE - 7" 50 LB
50	1	0307305	GROUND CABLE, 156"
51	1	0307306	GROUND CABLE, 192"
--	--	0907762	PACKAGE REMOTE AIR ASSEMBLY
52	1	0302123	HEX NIPPLE, 4MP-4MP
53	65	0302434	CABLE TIE - 4" 18 LB
54	1	0303226	80 AMP CIRCUIT BREAKER
55	1	0303363	AIR FILTER / REGULATOR COMBO
56	1	0303364	AIR LUBRICATOR
57	1	0303365	MOUNTING BRACKET, AIR PREP
58	1	0306983	BRASS RUN TEE, 1/4T-1/4MPX
59	2	0400021	SCREW, #8-32 X 1/2" RD HD PH MACH SS
60	4	0400062	SCREW, 1/4"-20 X 3/4" THRD CUT HEX
61	4	0400451	WASHER, 1/4" FLAT ZP
62	2	0402002	NUT, #8-32 K-LOCK SS
63	2	0402004	WASHER, #8 SS



## Section VI - PARTS (cont'd)

### MISCELLANEOUS KITS (cont'd)

REF. NO.	NO. REQ'D	PART NUMBER	DESCRIPTION
--	--	0907762	PACKAGE REMOTE AIR ASSEMBLY (cont'd)
64	2	0710198	MARKER BRACKET
65	1	9010520	BRASS ELBOW, 1/4T-1/4MP
66	1	HA0132	GAUGE, 0-160 PSI
67	30	9022076	RING TERMINAL, 14-16GA 10 ST
--	--	0907753	BASIC-REMOTE CTL 16 FUNC UPGRADE
68	1	0307163	8-FUNC PWR PAL W/RADIO REMOTE
--	--	0906435	8 FUNCTION POWER-TOUCH KIT
69	1	0306668	POWER TOUCH ELECTRICAL SYSTEM
70	1	0306672	PYLON HARNESS
71	1	0306675	POWER PAL HPDC08 8 FUNCT.WIRED
72	1	0306677	POWER PAL HPDC08 WIRELESS UPGR
--	--	0907131	16 FUNCTION AIR ASSEMBLY
73	18	0300166	WIRE CONNECTOR, SPADE
74	42	0301577	1/4" O.D. PLASTIC TUBING BLK
75	42	0302495	CONVOLUTED LOOM, 1/4"
76	18	9010030	BRASS ELBOW, 1/4T-1/8MPX
77	8	0306698	AIR CYLINDER, 1.5 BORE X 1.71 STROKE
78	4	0400025	SCREW, #8-32 X 3/4" RD SLOTTED HD
79	8	0400057	SCREW, 1/4"-20 X 1-1/4" HEX HD CAP
80	8	0400367	NUT, 1/4"-20 NYLOK HEX ZP
81	8	0400401	NUT, 7/16"-20 HEX JAM PL
82	8	0400527	CLEVIS PIN, 5/16" X 5/8"
83	8	0803181	CLEVIS WELDMENT
--	--	0907132	16 FUNCTION SOLENOID ASSEMBLY
84	1	0301577	1/4" O.D. PLASTIC TUBING BLK
85	1	0301601	HOSE CLAMP, 5/8" INSUL
86	4	0302677	BREATHER VENT" 1/8 MP
87	2	0306670	HARNESS, 8 FUNCTION POWER PAL
88	1	0306975	AIR SOL STK 12VDC 8 BANK
89	1	0306976	AIR SOL STK 12VDC 10 BANK
90	1	0306977	FITTING BRASS PLUG 1/8
91	2	0306978	TERMINAL BLOCK W/SCREW
92	4	0400025	SCREW, #8-32 X 3/4" RD SLOTTED HD
93	4	0400066	SCREW, 1/4"-20 X 3/4" HEX HD CAP GR5 ZP
94	4	0400351	HEX NUT & STAR WASHER, #8-32 ZP
95	8	0400367	NUT, 1/4"-20 NYLOK HEX ZP
96	2	0400451	WASHER, 1/4" FLAT ZP

## Section VI - PARTS (cont'd)

### MISCELLANEOUS KITS (cont'd)

REF. NO.	NO. REQ'D	PART NUMBER	DESCRIPTION
--	--	0907132	16 FUNCTION SOLENOID ASSY (cont'd)
97	8	0400458	LOCKWASHER, 1/4" STAR ZP
98	4	0402024	SCREW, 1/4"-20 X 1-1/4" SKT HD 316 SS
99	1	0714320	SUPPORT, SOLENOID VALVE
100	3	9010024	BRASS CONNECTOR, 1/4T-1/8MP
101	18	9010030	BRASS ELBOW, 1/4T-1/8MPX
102	22	9022076	RING TERMINAL, 14-16GA 10 ST



**CENTURY®**

Miller Industries Towing Equipment Inc.

8503 Hilltop Drive • Ooltewah, Tennessee 37363 • (423) 238-4171

[www.millerind.com](http://www.millerind.com)