



OWNER'S MANUAL

6807/8807/9907 SDU2

INSTALLATION, OPERATION, MAINTENANCE & PARTS

NOTE: MANUAL including SPECIFICATIONS, subject to change without notice
All ratings specified are based on structural factors only,
not vehicle capacities or capabilities.

CHALLENGER[®]

Miller Industries Towing Equipment Inc.
8503 Hilltop Drive
Ooltewah, Tennessee 37363

FORM NO. 0501165

01 / 02

Phone (423) 238-4171 • FAX (423) 238-5371

PRICE \$25.00

LIMITED WARRANTY

MILLER INDUSTRIES TOWING EQUIPMENT INC., hereinafter referred to as MILLER, warrants to the original purchaser that each new MILLER wrecker or other MILLER products will be free from defects in material and workmanship for a period of twelve (12) months from date placed in service, but in no event shall such warranty period exceed twenty-four (24) months from date of manufacture by MILLER. The purchaser must promptly notify MILLER in writing of any failure in material or workmanship. In no event shall MILLER accept such notification later than twenty-four (24) months from date of delivery or twelve (12) months from date placed in service, whichever is earlier.

MILLER's obligation under this warranty, statutory or otherwise, is limited to the repair or replacement at the MILLER factory, or at a point designated by MILLER, of such part or parts as shall appear upon inspection by MILLER to be defective in material or workmanship. New or remanufactured parts will be used for any replacement at MILLER's option. This warranty is not transferable. This warranty does not obligate MILLER to bear the cost of labor or transportation charges in connection with the repair or replacement of any parts found to be defective, nor shall it apply to a product upon which repairs or alterations have been made unless authorized by MILLER.

EXCEPT AS EXPRESSLY SET FORTH IN THIS WARRANTY, MILLER MAKES NO OTHER WARRANTY, EXPRESS OR IMPLIED, AND HEREBY DISCLAIMS ALL OTHER WARRANTIES INCLUDING, BUT NOT LIMITED TO, THE IMPLIED WARRANTIES OF MERCHANTABILITY AND FITNESS FOR A PARTICULAR PURPOSE. MILLER shall in no event be liable for claimed downtime, claimed loss of profits or goodwill, or any other special, incidental, indirect, or consequential damages concerning or relating to any product or parts, whether based on negligence, strict liability, breach of contract, breach of warranty, misrepresentation or any other legal theory, regardless of whether the loss resulted from any general or particular requirement which MILLER knew or had reason to know about at the time of sale.

MILLER MAKES NO WARRANTY, EXPRESS OR IMPLIED, AS TO THE FINISHED PRODUCTS MANUFACTURED OR SUPPLIED BY ANOTHER MANUFACTURER AND SUPPLIED BY MILLER TO PURCHASER, including, but not limited to, any vehicle to which a MILLER product may be affixed or any accessories or wire rope, and MILLER EXPRESSLY DISCLAIMS ANY IMPLIED WARRANTIES OF MERCHANTABILITY OR FITNESS FOR A PARTICULAR PURPOSE AS TO SUCH EQUIPMENT OR PRODUCTS. This language shall in no way affect or diminish the rights of the purchaser to rely on such warranties as are extended by such manufacturers or suppliers. MILLER shall, to the extent permitted under applicable law, pass on to the purchaser such manufacturer's or seller's warranty.

MILLER, whose policy is one of continuous improvement, reserves the right to improve its products through changes in design or materials as it may deem desirable without being obligated to incorporate such changes in products previously sold. This warranty is not intended to cover or include the following items, which are set forth by way of example and not limitation:

- A. Normal deterioration of trim, paint, lettering, and appearance items due to wear or exposure to weather, road conditions, road treatments, etc.
- B. Any damage or defect due to accident, misuse, abuse, improper or unauthorized repairs, failure to provide reasonable and necessary maintenance, or uses for which the equipment was not designed or intended.
- C. Alterations or modifications that affect performance, operation or reliability.
- D. Normal maintenance parts including, but not limited to, wear pads, bushings, wire rope, mud flaps, fenderettes, light bulbs, hydraulic oil, filters, and tow sling belts.

IT IS EXPRESSLY UNDERSTOOD THAT MILLER MAKES NO IMPLIED WARRANTY THAT MILLER PRODUCTS SHALL BE FIT FOR THE PURPOSE OF LIFTING OR MOVING PEOPLE OR FOR ANY OTHER IMPROPER USE.



Miller Industries Towing Equipment Inc.
8503 Hilltop Drive
Ooltewah, Tennessee 37363

Telephone (423) 238-4171

SERIAL NUMBER

Section VI - PARTS

This Section is provided by the manufacturer for the purpose of ordering any component part of the **Challenger Heavy Duty Unit** and **SDU/2 Underlift** that may be required when part replacement is necessary. Be certain to use only original equipment replacement parts for warranty purposes as well as for keeping your **Challenger Heavy Duty Unit** and **SDU/2 Underlift** in its original state and optimum operating capacities.

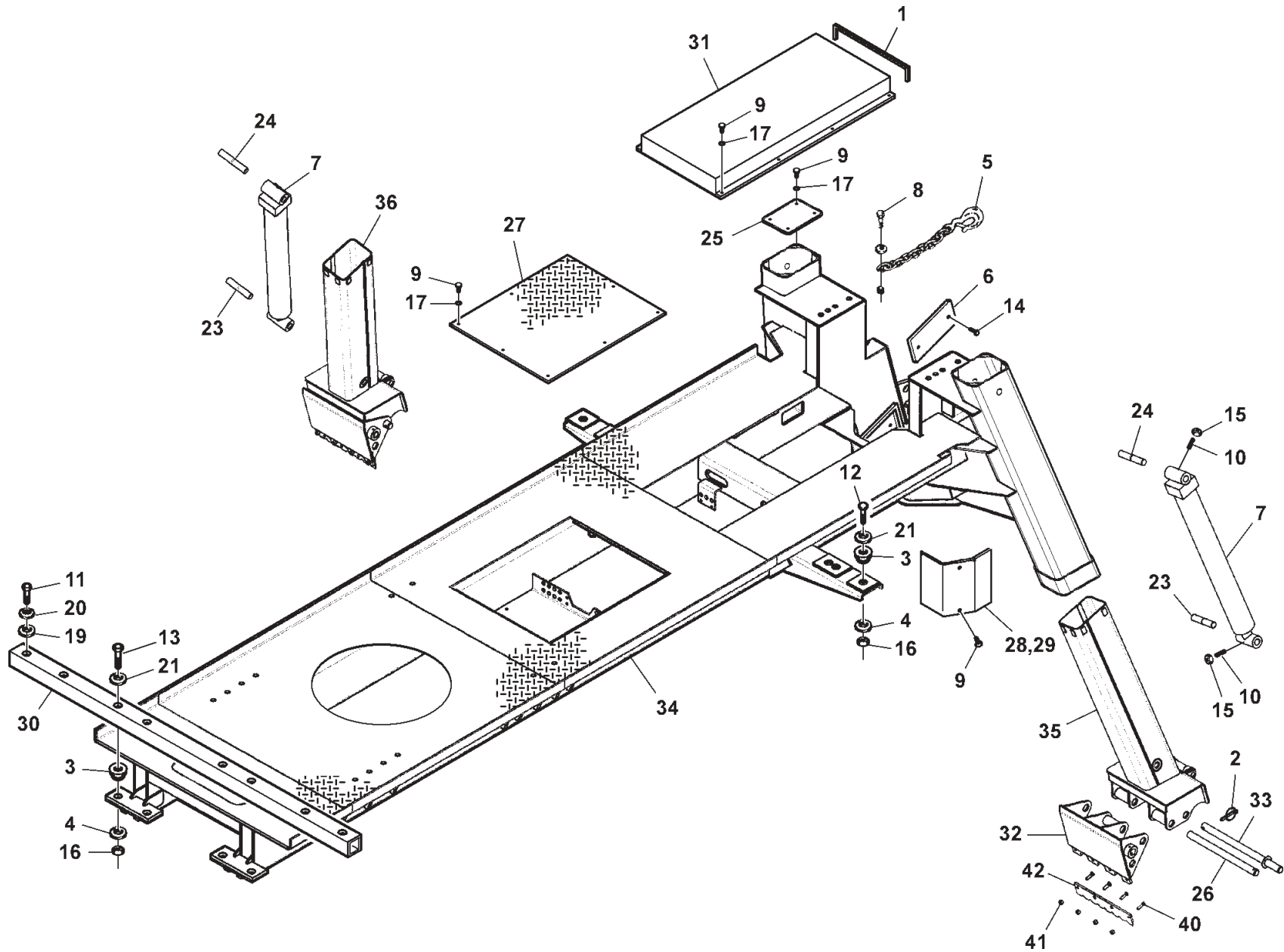
When ordering replacement or spare parts be sure to provide the following information to the manufacturer's **Parts Department**.

1. **Manual Number & Date of Publication**
2. **Manual Page Number**
3. **Page Title**
4. **Reference Number of Part Desired**
5. **Part Number**
6. **Part Description**
7. **Quantity of Part Desired**

Providing this information will help ensure that the correct parts will be delivered to you in an expedient manner without delay. Should additional information be required for repair or replacement of certain components, contact your Wrecker Manufacturer Authorized Representative.

The Manufacturer reserves the right, without notice or obligation, to improve or modify their products, which may change the specifications, models and feature availability.

Section VI - PARTS (cont'd) SUBFRAME ASSEMBLY

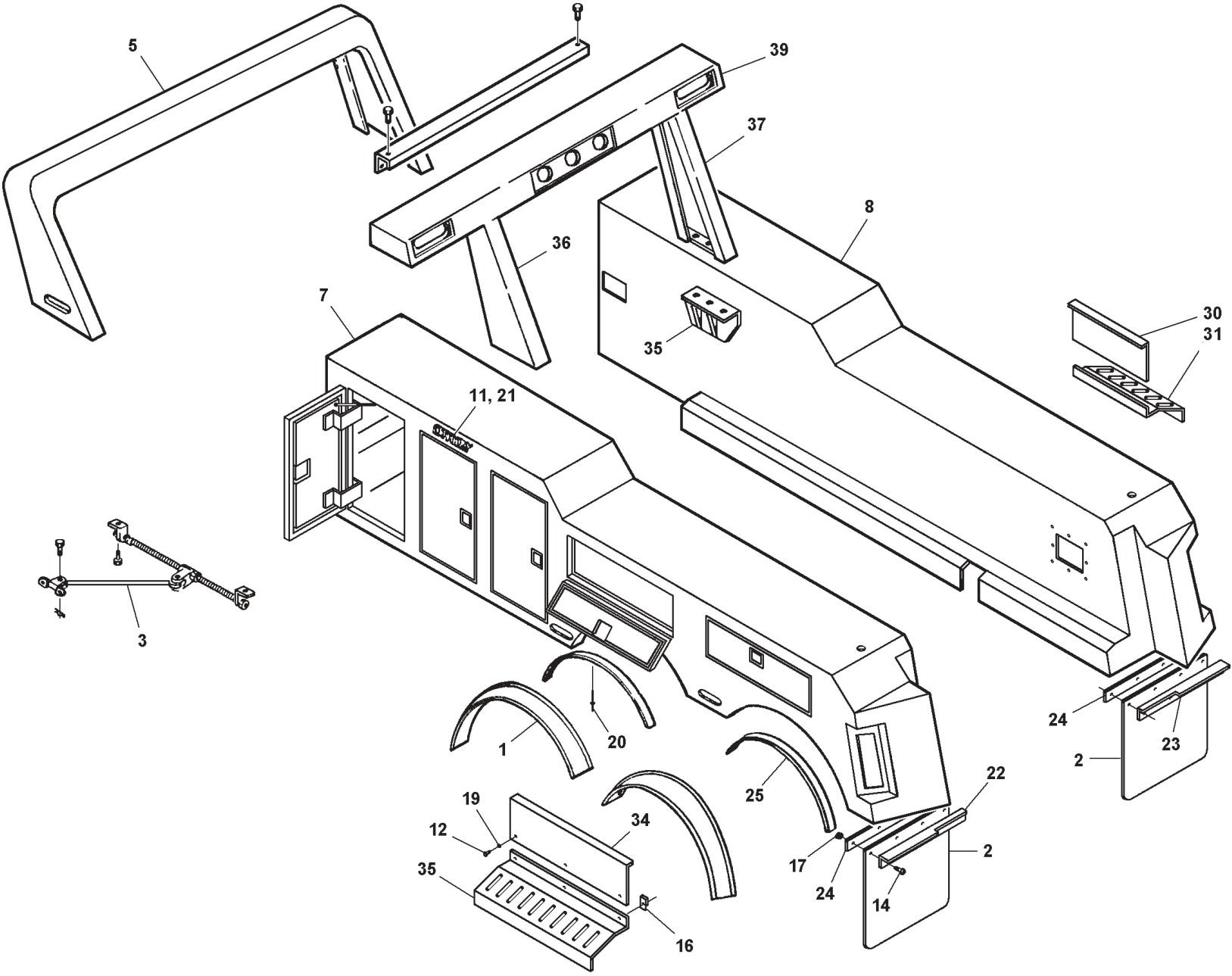


Section VI - PARTS (cont'd)

SUBFRAME ASSEMBLY

REF. NO.	NO. REQ'D	PART NUMBER	DESCRIPTION
1	10 FT.	0301851	TRIM-LOCK, 1/8"
2	2	0301861	QUICK PIN
3	8	0302540	CENTER BONDED MOUNT (BE0102)
4	20	0302541	WASHER, SPECIAL (BE0103)
5	2	0303445	SAFETY CHAIN, SYSTEM 10, 1/2" X 14'
6	2	0303481	SLIDE PAD, BUMPER
7	2	0303691	CYLINDER, REAR SPADE
8	2	0306831	U-BOLT, 1/2
9	28	0400066	SCREW, 1/4"-20 X 3/4" HEX HD CAP
10	4	0400139	SCREW, 3/8"-16 X 1-1/2" HEX SKT SET
11	4	0400276	SCREW, 5/8"-11 X 4-1/2" HEX HD CAP
12	4	0400281	SCREW, 3/4"-10 X 3-1/2" HEX HD CAP
13	4	0400294	SCREW, 3/4"-10 X 6-1/2" HEX HD CAP
14	4	0400349	SCREW, 3/8"-16 X 3/4" FL SKT HD
15	10	0400392	NUT, 3/8"-16 NYLOK HEX
16	4	0400430	NUT, 3/4"-10 NYLOK HEX
17	28	0400452	LOCKWASHER, 1/4" HELICAL
18	4	0400487	LOCKWASHER, 7/16" HELICAL
19	8	0400506	WASHER, 5/8" FLAT
20	4	0400508	LOCKWASHER, 5/8" HELICAL
21	8	0400510	WASHER, 3/4" FLAT
22	2	0708452	"D" RING, TOWING (NOT SHOWN)
23	2	0713128	SHAFT, LOWER SPADE
24	2	0713129	SHAFT, UPPER SPADE
25	2	0715584	COVER PLATE, REAR SPADE
26	2	0715694	PIN, SPADE PIVOT
27	1	0716128	VALVE ACCESS COVER, REAR
28	1	0716138	COVER, DECK REAR SPADE LEFT
29	1	0716139	COVER, DECK REAR SPADE RIGHT
30	1	0802211	FRONT BODY MOUNTING TUBE
31	1	0804114	CYLINDER COVER WELDMENT
32	2	0804286	LOWER SPADE PAD WELDMENT
33	2	0804334	PIN, MULTI-POSITION
34	1	0804415	SUBFRAME WELDMENT
35	1	0805965	INNER SPADE WELDMENT, LH
36	1	0805966	INNER SPADE WELDMENT, RH
37	2	9046354	SPRING PIN, 1/4" X 2-1/2" (NOT SHOWN)
38	2	9046388	ROLL PIN, 3/8" X 2-1/2" (NOT SHOWN)
39	2	GA0215	PIN, "D" RING (NOT SHOWN)
40	8	0400181	SCREW, 1/2"-13 X 1-1/2" HEX HD CAP
41	8	0400408	NUT, 1/2"-13 NYLOK HEX
42	2	0705485	SPADE BLADE

Section VI - PARTS (cont'd)
BODY ASSEMBLY



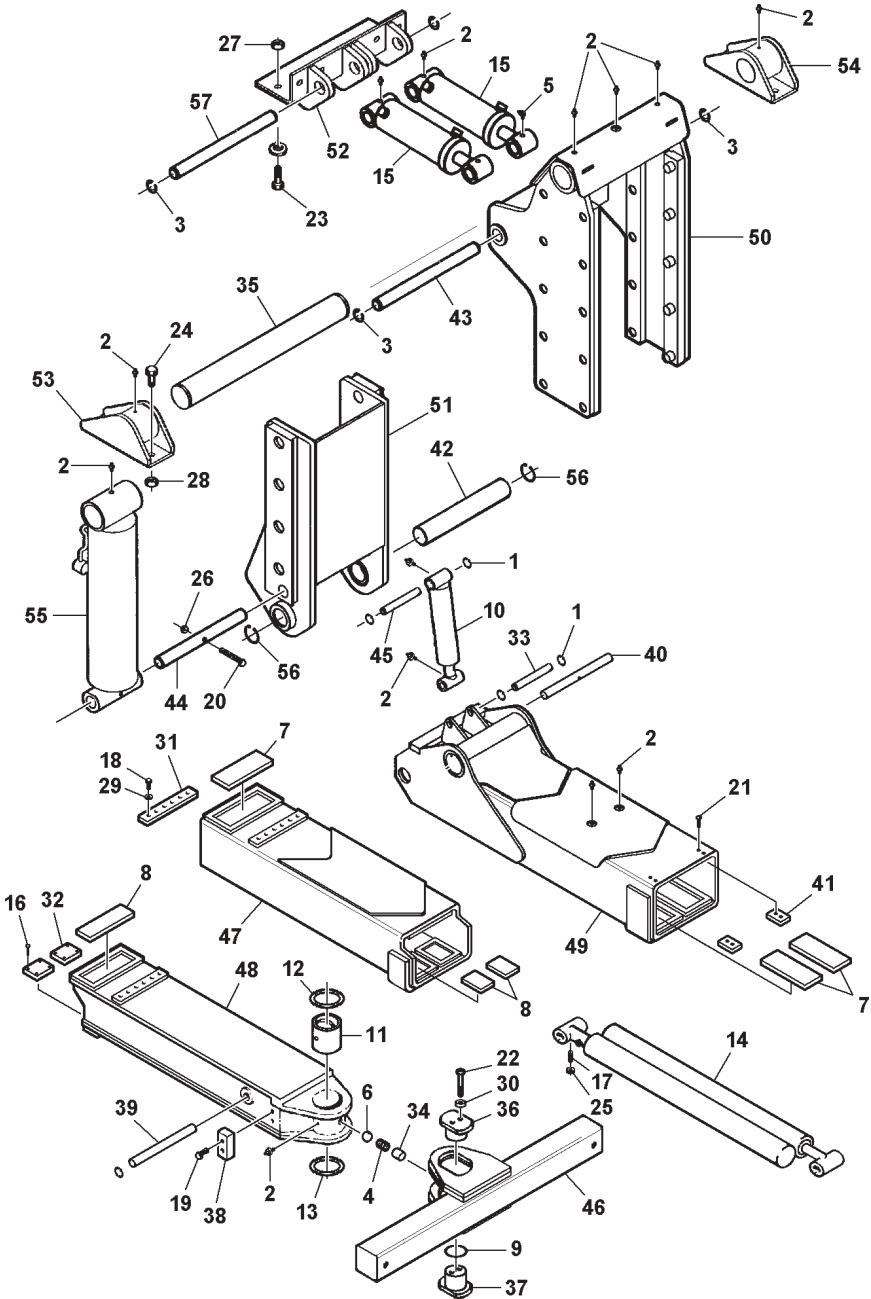
Section VI - PARTS (cont'd)

BODY ASSEMBLY

REF. NO.	NO. REQ'D	PART NUMBER	DESCRIPTION
1	28 FT.	0300345	RUBBER FENDER
2	2	VA0588	MUDFLAP
3	6	0301912	DOOR CHECK, 11"
4	2	0301934	DOOR STOP
5	1	0302562	LIGHT BAR, DELUXE (OPTIONAL)
6	6 ft.	0303056	"D" GASKET (NOT SHOWN)
7	1	0303708	LEFT TOOL COMPARTMENT, 156" C.B.
8	1	0303709	RIGHT TOOL COMPARTMENT, 156" C.B.
9	1	0303061	BACK UP ALARM (NOT SHOWN)
10	2	0400016	SCREW, #8-32 x 1" FL PHIL HD
11	6	0400035	SCREW, #10-24 X 1/2" OVAL HD SELF-TAP
12	6	0400061	SCREW, 1/4"-20 X 3/4" PAN HD SLOTTED
13	6	0400066	SCREW, 1/4"-20 X 3/4" HEX HD CAP
14	8	0400122	SCREW, 3/8"-16 X 1-1/4" HEX HD CAP
15	38	0400288	SCREW, 3/4"-10 X 2-1/2" HEX HD CAP GR8
16	6	0400369	CLIP, 1/4" TINNERMAN
17	8	0400392	NUT, 3/8"-16 NYLOK HEX
18	38	0400431	NUT, 3/4"-10 NYLOK HEX GR8
19	6	0400451	WASHER, 1/4" FLAT
20	76	0400566	RIVET, 1/4"
21	2	DE0186	CHALLENGER NAMEPLATE
22	1	0705090	MUDFLAP MTG ANGLE, LEFT
23	1	0705091	MUDFLAP MTG ANGLE, RIGHT
24	2	0705092	BAR, MUDFLAP
25	4	0706609	RETAINING STRIP, FENDER
26	2	0707174	TAILGATE MOUNTING ANGLE
27	2	0707175	MOUNTING PLATE
28	2	0709453	MOUNTING PLATE
29	2	0711286	SPACER, REAR FRAME BRACKET
30	1	0711289	SWITCH PANEL, RIGHT
31	1	0711290	CONTROL PANEL, RIGHT
32	2	0714176	GASKET, BASE ANGLE (NOT SHOWN)
33	2	0714177	GASKET (NOT SHOWN)
34	1	0714272	GAUGE PANEL
35	1	0714273	CONTROL PANEL
36	1	0802224	VERTICAL SUPPORT, L.H.
37	1	0802225	VERTICAL SUPPORT, R.H.
38	2	0802226	MOUNTING BRACKET
39	1	0802260	TOP CHANNEL

Section VI - PARTS (cont'd)

SDU/2 ASSEMBLY



Section VI - PARTS (cont'd)

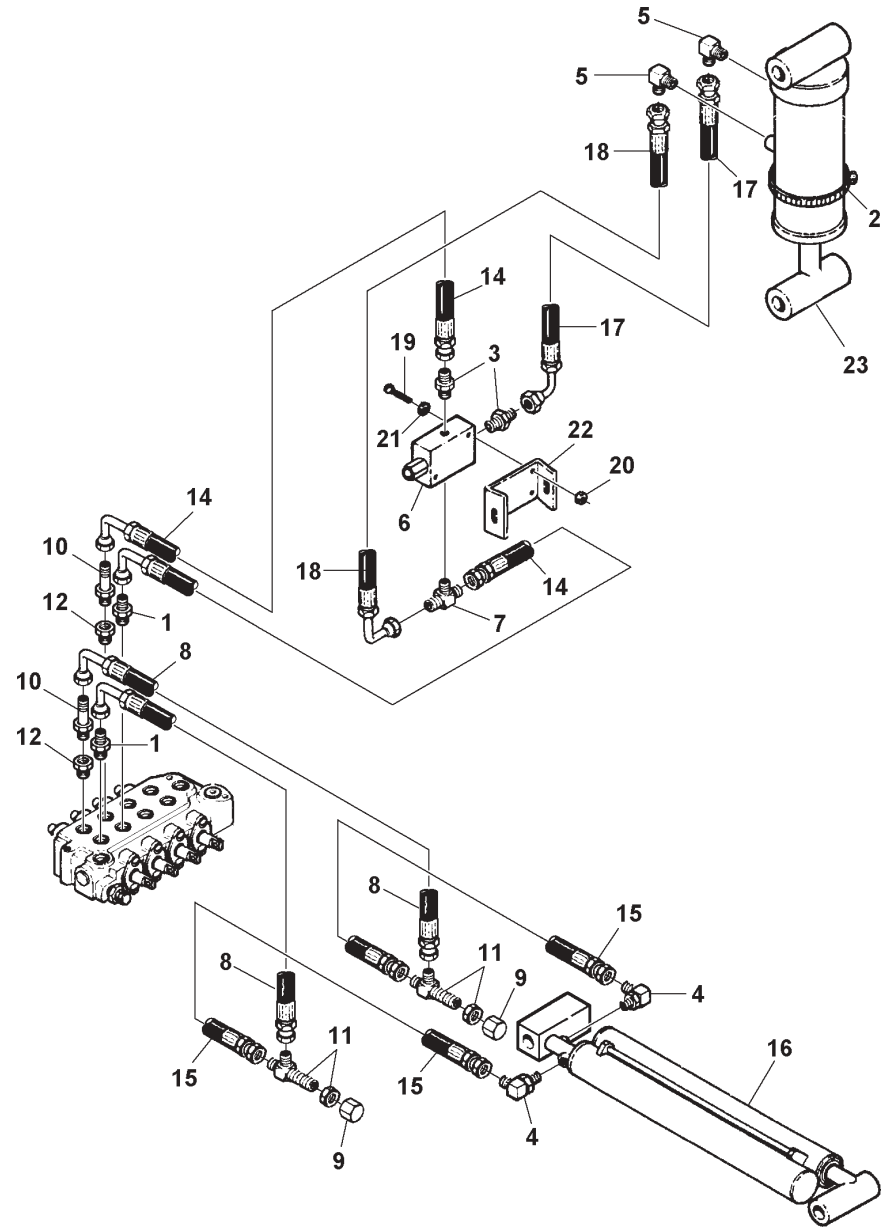
SDU/2 ASSEMBLY

REF. NO.	NO. REQ'D	PART NUMBER	DESCRIPTION
1	4	0300110	SNAP RING, 1"
2	15	0300113	GREASE FITTING
3	4	0300329	SNAP RING, 2" EXTERNAL
4	1	0301197	COMPRESSION SPRING
5	2	0301397	GREASE FITTING, 90°
6	1	0301398	STEEL BALL, 1-3/16"
7	3	0301817	SLIDE PAD
8	3	0301818	SLIDE PAD
9	1	0301822	O-RING, PIVOT PIN
10	2	0302538	SPRING BUSHING, 3.5" OD X 3" ID X 2.5"
11	1	0303088	BUSHING, PIVOT PIN
12	2	0303097	THRUST WASHER, 1/8"
13	2	0303098	THRUST WASHER, 1/16"
14	1	0303501	EXTEND CYLINDER
15	2	0303902	TILT CYLINDER
16	1	0306508	FOLD CYLINDER
17	8	0400044	DRIVE SCREW, #10 X 1/2" RD HD
18	2	0400139	SCREW, 3/8"-16 X 1-1/2" HEX SKT SET
19	6	0400151	SCREW, 3/8"-24 X 3/4" HEX HD CAP
20	4	0400196	SCREW, 1/2"-13 X 1-1/4" SKT HD CAP
21	1	0400219	SCREW, 1/2"-13 X 4-1/2" HEX HD CAP
22	4	0400228	SCREW, 3/8"-24 X 5/8" BUTTON HD SKT
23	2	0400271	SCREW, 5/8"-11 X 4-1/2" SKT HD CAP
24	8	0400288	SCREW, 3/4"-10 X 2-1/2" HEX HD CAP GR8
25	8	0400306	SCREW, 7/8"-9 X 3" HEX HD CAP GR8
26	2	0400392	NUT, 3/8"-16 NYLOK HEX
27	1	0400408	NUT, 1/2"-13 NYLOK HEX
28	8	0400430	NUT, 3/4"-10 NYLOK HEX
29	8	0400437	NUT, 7/8"-9 NYLOK HEX
30	6	0400481	LOCKWASHER, 3/8" EXTERNAL TOOTH
31	2	0400508	LOCKWASHER, 5/8" HELICAL
32	1	0703233	STOP PLATE
33	2	0703277	SLIDER PAD
34	2	0707034	STOP PLATE
35	1	0707179	PIN
36	1	0708470	SPACER, DETENT BALL

REF. NO.	NO. REQ'D	PART NUMBER	DESCRIPTION
37	1	0709242	PIN, MAIN PIVOT
38	1	0710051	PIVOT PIN, TOP HALF
39	1	0710052	PIVOT PIN, BOTTOM HALF
40	2	0710450	RETRACT BAR
41	1	0712174	SHAFT, EXTEND CYLINDER INNER BOOM
42	1	0712195	SHAFT, EXTEND CYLINDER OUTER BOOM
43	1	0714209	PIVOT PIN
44	1	0714218	PIN, TILT CYLINDER ROD END
45	1	0714219	PIN, LIFT CYLINDER ROD END
46	1	0714240	PIN, FOLD CYLINDER
47	1	0802914	CROSSBAR WELDMENT
48	1	0803441	2ND STAGE BOOM WELDMENT
49	1	0803442	INNER BOOM WELDMENT
50	1	0804029	OUTER BOOM WELDMENT
51	1	0804030	OUTER MAST WELDMENT
52	1	0804032	INNER MAST WELDMENT
53	1	0804034	TILT CYLINDER MOUNTING BRACKET
54	1	0804303	LEFT PIVOT SUPPORT WELDMENT
55	1	0804304	RIGHT PIVOT SUPPORT WELDMENT
56	1	HC0159	LIFT CYLINDER
57	2	HD0152	SNAP RING, 3" EXTERNAL
58	1	UK0126	PIN, TILT CYLINDER BASE END
--	--	0904785	HOSE TENSION KIT (Not Shown)
59	2	0400082	EYEBOLT, 1/4"-20 X 1-1/8"
60	4	0400191	SCREW, 1/2"-13 X 3-3/4" HEX HD CAP
61	2	0400366	NUT, 1/4"-20 HEX
62	1	0400367	NUT, 1/4"-20 NYLOK HEX
63	4	0400413	NUT, 1/2"-20 NYLOK HEX
64	2	0400451	WASHER, 1/4" FLAT
65	2	0700188	BRACKET, BULKHEAD
66	4	0703484	PULLEY, HOSE TENSIONER
67	2	0703487	BRACKET, HOSE TENSIONER PULLEY
68	8	0703488	WASHER, HOSE TENSIONER PULLEY
69	4	0714388	ANGLE, NYLON SHEAVE
70	2	AWS-1011-A	CLAW SPRING

Section VI - PARTS (cont'd)

SDU/2 LIFT & EXTEND HYDRAULICS



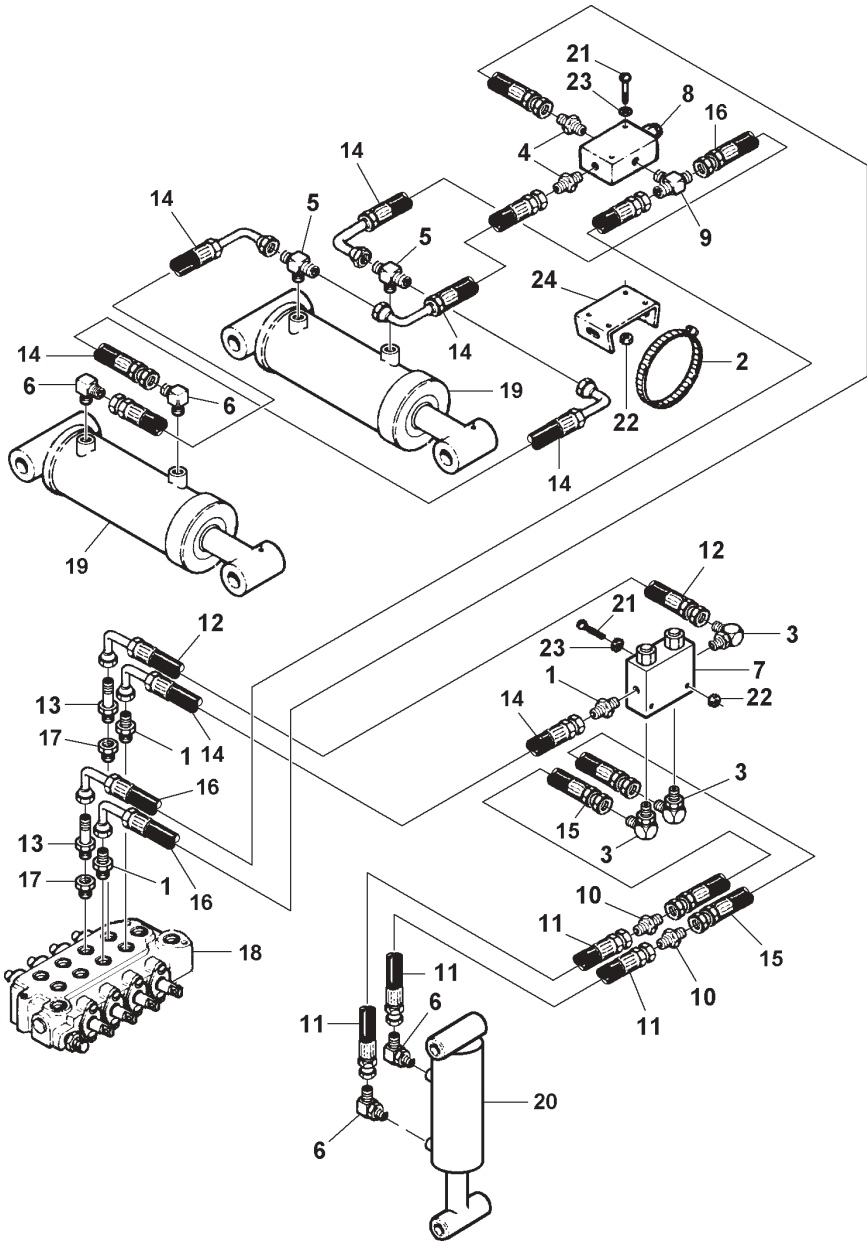
Section VI - PARTS (cont'd)

SDU/2 LIFT & EXTEND HYDRAULICS

REF. NO.	NO. REQ'D	PART NUMBER	DESCRIPTION
1	2	0300044	CONNECTOR, 6MJ-8MB
2	1	0300644	HOSE CLAMP, 8"
3	2	0301425	CONNECTOR, 6MJ-6MP
4	2	0301470	ELBOW, 6MJ-8MB90
5	2	0301620	ELBOW, 6MJ-6MB90
6	1	0301731	HOLDING VALVE
7	1	0301782	MALE RUN TEE, 6MJ-4MP-6MJ
8	2	0301998	HOSE ASSEMBLY, 24"
9	2	0302065	CAP, 6MJ
10	2	0302510	ADAPTER, 6MJ-6MBL
11	2	0302575	BULKHEAD RUN TEE, 6MJ
12	2	0303017	CONNECTOR, 8MB-6FB
13	1	0303093	CONTROL VALVE, VDP11DDDC110
14	2	0303170	HOSE ASSEMBLY, 75"
15	2	0303187	HOSE ASSEMBLY, 141"
16	1	0303501	EXTEND CYLINDER
17	1	0303967	HOSE ASSEMBLY, 7"
18	1	0303968	HOSE ASSEMBLY, 10"
19	2	0400078	SCREW, 1/4"-20 X 2" HEX HD CAP
20	2	0400367	NUT, 1/4"-20 HEX NYLOK
21	2	0400451	WASHER, 1/4" FLAT
22	1	0703001	BRACKET, CHECK VALVE MOUNTING
23	1	HC0159	LIFT CYLINDER

Section VI - PARTS (cont'd)

SDU/2 TILT & FOLD HYDRAULICS



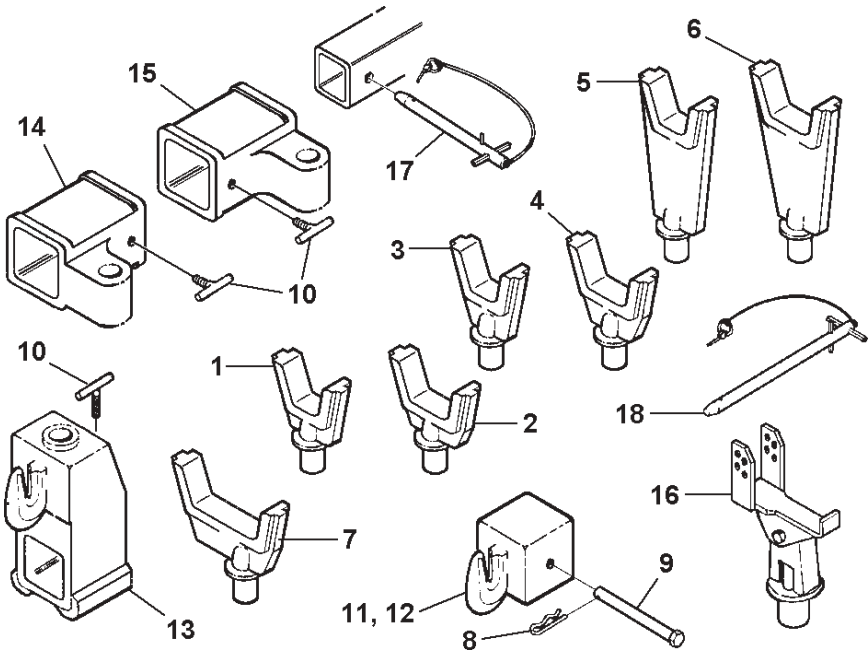
Section VI - PARTS (cont'd)

SDU/2 TILT & FOLD HYDRAULICS

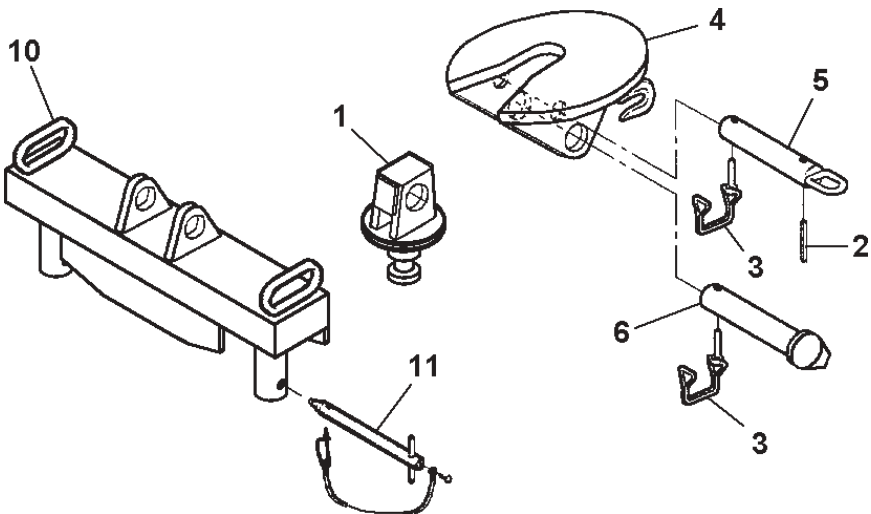
REF. NO.	NO. REQ'D	PART NUMBER	DESCRIPTION
1	2	0300044	CONNECTOR, 6MJ-8MB
2	1	0300365	CLAMP, CHECK VALVE RETAINING, 7"
3	3	0301388	ELBOW, 8MJ-8MB90
4	2	0301425	CONNECTOR, 6MJ-6MP
5	2	0301619	BRANCH TEE, 6MJ-6MJ-6MB
6	2	0301620	ELBOW, 6MJ-6MB90
7	1	0301730	DOUBLE HOLDING VALVE
8	1	0301731	HOLDING VALVE
9	1	0301782	MALE RUN TEE, 6MJ-4MP-6MJ
10	2	0301837	INLINE ORIFICE
11	2	0301997	HOSE ASSEMBLY, 18"
12	1	0301998	HOSE ASSEMBLY, 24"
13	2	0302510	ADAPTER, 6MJ-6MBL
14	5	0302808	HOSE ASSEMBLY, 18"
15	2	0302813	HOSE ASSEMBLY, 108"
16	2	0302886	HOSE ASSEMBLY, 45"
17	2	0303017	CONNECTOR, 8MB-6FB
18	1	0303093	CONTROL VALVE, VDP11DDDC110
19	2	0303902	TILT CYLINDER
20	1	0306508	FOLD CYLINDER
21	6	0400078	SCREW, 1/4"-20 X 2" HEX HD CAP
22	6	0400367	NUT, 1/4"-20 HEX NYLOK
23	2	0400451	WASHER, 1/4" FLAT
24	2	0703001	BRACKET, CHECK VALVE MOUNTING

Section VI - PARTS (cont'd)

SDU/2 LIFT ADAPTERS



KING PIN & FIFTH WHEEL ADAPTERS



Section VI - PARTS (cont'd)

SDU LIFT ADAPTERS

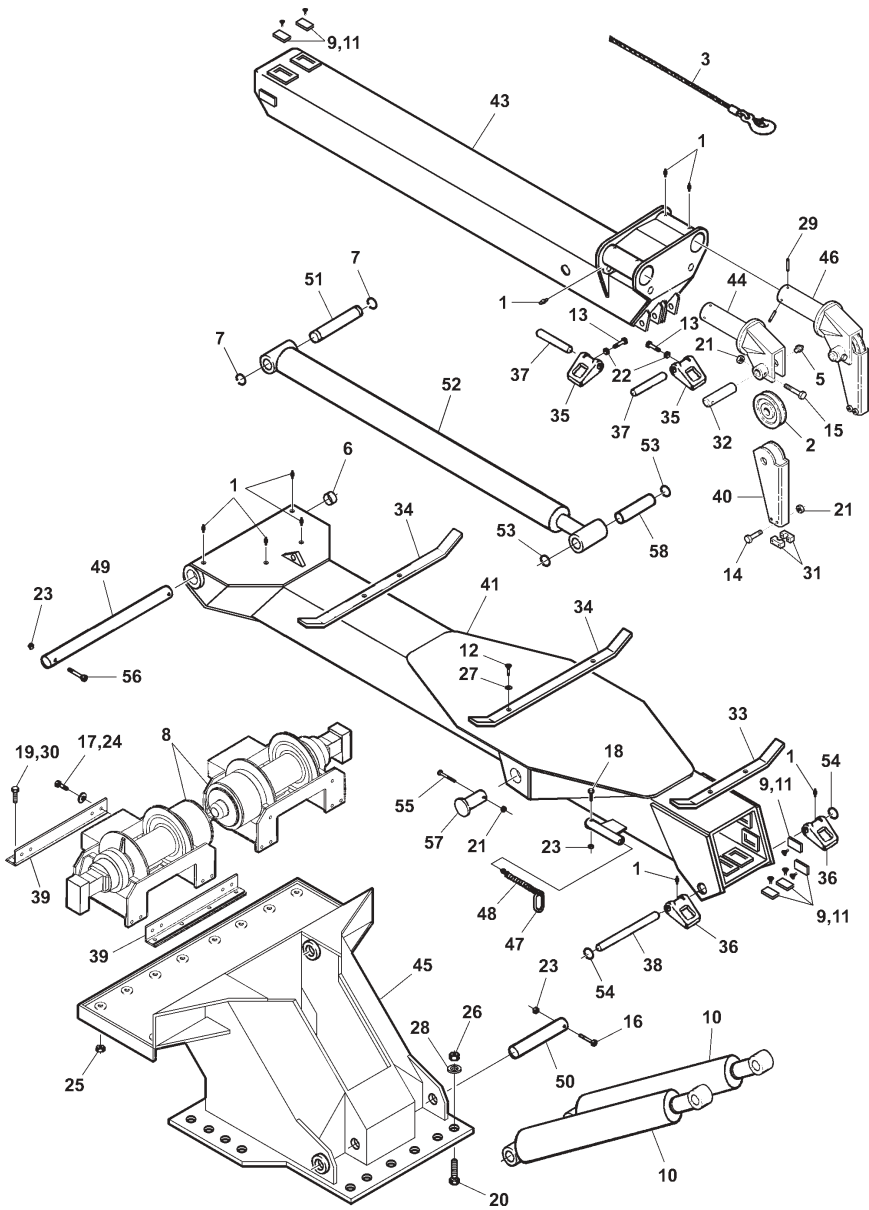
REF. NO.	NO. REQ'D	PART NUMBER	DESCRIPTION
1	2	0200018	FORK, SHORT 3" OPENING
2	2	0200019	FORK, SHORT 4-1/2" OPENING
3	2	0200020	FORK, MEDIUM 3" OPENING
4	2	0200021	FORK, MEDIUM 4-1/2" OPENING
5	2	0200022	FORK, LONG 3" OPENING
6	2	0200023	FORK, LONG 4-1/2" OPENING
7	2	0200024	FORK, OFFSET REAR AXLE 6" OPENING
8	4	0306564	TEE HANDLE, ALUMINUM 5/8" X 1-1/4"
9	2	0400585	HAIR PIN COTTER, 1-1/4"
10	2	0711002	BOLT, MODIFIED 5/8"-11 X 6" w/HOLE
11	1	0801186	CHAIN HOOK ADAPTER, RT
12	1	0801187	CHAIN HOOK ADAPTER, LT
13	2	0801459	RISER BRACKET
14	1	0803591	OFFSET FORK ADAPTER, LT
15	1	0803592	OFFSET FORK ADAPTER, RT
16	2	0802810	SPRING LIFT BRACKET
17	2	0900900	RETAINING PIN ASSEMBLY
18	2	0902321	RETAINER PIN, SPRING LIFT BRACKET

KING PIN & FIFTH WHEEL ADAPTERS

REF. NO.	NO. REQ'D	PART NUMBER	DESCRIPTION
1	1	0803605	KING PIN ADAPTER WELDMENT
--	--	0902782	FIFTH WHEEL ADAPTER (COMPLETE)
2	1	0400555	ROLL PIN, 3/8" X 1-1/2"
3	2	HD1259	PIN, SNAPPER
4	1	VA0660	5TH WHEEL PIVOT PLATE WELDMENT
5	1	VA0661	PULL PIN WELDMENT
6	1	VA0662	PIVOT PIN WELDMENT
--	--	124002211	PINTLE HOOK KIT (COMPLETE)
7	1	0302198	PINTLE HOOK (Not Shown)
8	4	0400176	SCREW, 1/2"-13 X 1" HEX HD CAP
9	4	0400491	LOCKWASHER, 1/2" HELICAL
10	1	0803604	5TH WHEEL, KING PIN ADAPTER & PINTLE HOOK BRACKET
11	2	0902378	RETAINING PIN ASSEMBLY

Section VI - PARTS (cont'd)

6807 RECOVERY BOOM ASSEMBLY



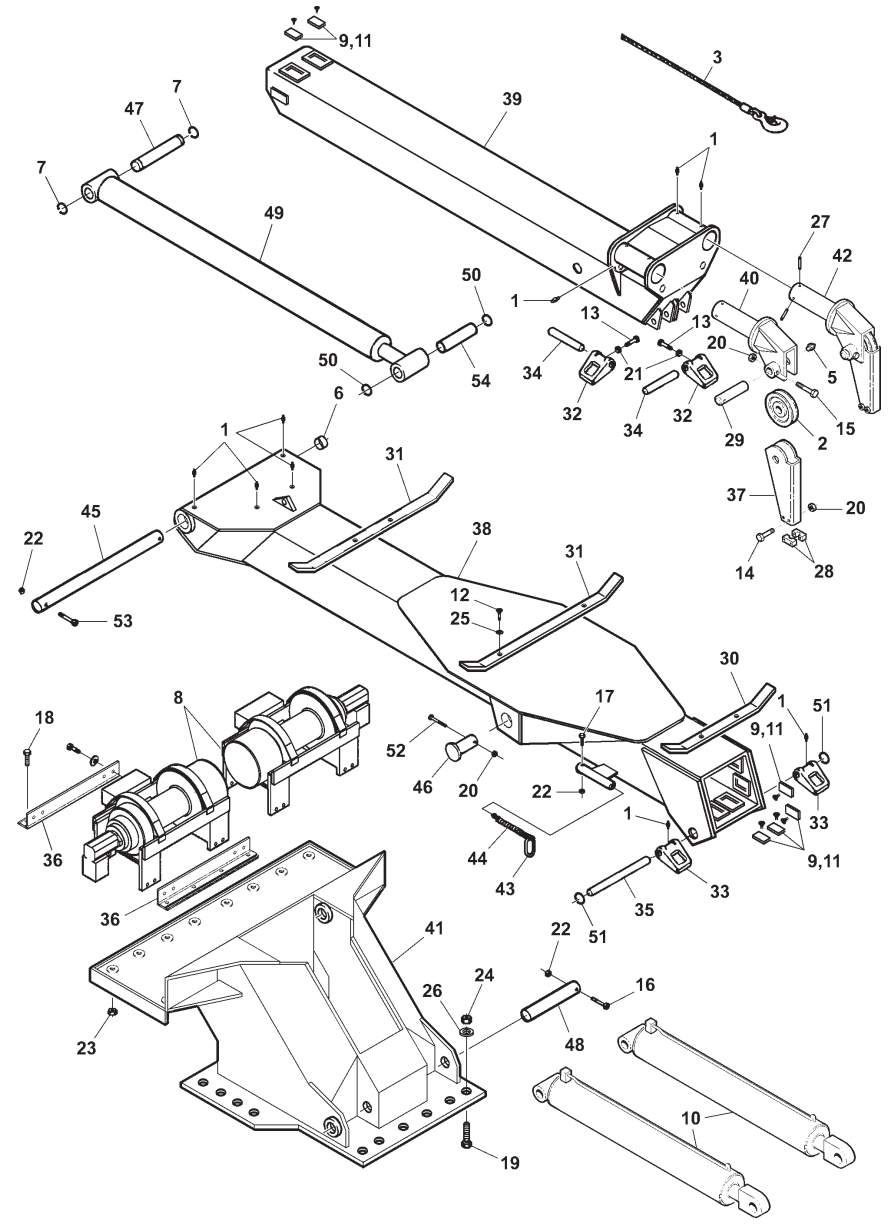
Section VI - PARTS (cont'd)
6807 RECOVERY BOOM ASSEMBLY

REF. NO.	NO. REQ'D	PART NUMBER	DESCRIPTION
1	13	0300113	GREASE FITTING
2	1	0300311	SHEAVE, 10"
3	2	0301215	CABLE, 3/4" X 250' 6x37 IWRC
4	4	0301334	CATERPILLAR GROMMET, 1/2"
5	2	0301895	GREASE FITTING, STR 1/8"
6	2	0302538	BUSHING, 3-1/2" O.D. X 3" I.D. X 2-1/2"
7	2	0302776	SNAP RING, 2" EXTERNAL
8	2	0303693	WINCH, DP 35K
9	8	0306546	PAD, WEAR
10	2	0306950	LIFT CYLINDER
11	8	0400059	SCREW, 1/4"-20 X 5/8" HEX HD CAP
12	6	0400121	SCREW, 3/8"-16 X 3/4" HEX HD CAP
13	2	0400130	SCREW, 3/8"-16 X 3-1/2" HEX HD CAP
14	2	0400133	SCREW, 3/8"-16 X 3" HEX HD CAP
15	1	0400140	SCREW, 3/8"-16 X 4" HEX HD CAP
16	2	0400255	SCREW, 5/8"-11 X 5-1/2" HEX HD CAP
17	8	0400262	SCREW, 5/8"-11 X 2-1/2" HEX HD CAPGR8
18	2	0400265	SCREW, 5/8"-11 X 4" HEX HD CAP
19	16	0400287	SCREW, 3/4"-10 X 3-1/2" HEX HD CAPGR8
20	14	0400334	SCREW, 1"-8 X 3-1/2" HEX HD CAP
21	5	0400392	NUT, 3/8"-16 NYLOK HEX
22	2	0400398	NUT, 3/8"-16 NYLOK HALF
23	5	0400421	NUT, 5/8"-11 NYLOK HEX
24	8	0400426	NUT, 5/8"-11 NYLOK HEX GR8
25	32	0400431	NUT, 3/4"-10 NYLOK HEX GR8
26	14	0400443	NUT, 1"-8 NYLOK HEX
27	6	0400482	LOCKWASHER, 3/8" HELICAL
28	14	0400518	WASHER, 1" FLAT
29	6	0400557	ROLL PIN, 1/2" X 1-1/4"

REF. NO.	NO. REQ'D	PART NUMBER	DESCRIPTION
30	16	0401021	SCREW, 3/4"-10 X 2" HEX HD CAPGR8
31	2	0700511	BOTTOM CABLE GUIDE
32	1	0700563	SHAFT, SHEAVE
33	1	0705103	WINCH CABLE SUPPORT PLATE
34	2	0706042	CABLE SUPPORT WING, LONG
35	2	0708452	"D"-RING TOWING
36	2	0708555	"D"-RING TOWING
37	2	0708561	PIN, "D"-RING
38	1	0708562	PIN, "D"-RING
39	4	0713216	ANGLE WINCH MOUNTING
40	2	0802027	CABLE GUIDE WELDMENT
41	1	0802536	OUTER BOOM WELDMENT
42	2	0803609	WINCH WELDMENT BASE (NOT SHOWN)
43	1	0804199	INNER BOOM WELDMENT
44	1	0804450	BOOM END SWIVEL WELDMENT
45	1	0805848	WRECKER FRAME 6807
46	1	0906535	BOOM SWIVEL ASSEMBLY (COMPLETE)
47	2	9048800	WELDLESS CHAIN LINK, 5/8"
48	2	945030007	CABLE TIE BACK SPRING
49	1	DR0220	PIN, BOOM PIVOT BASE END
50	2	DR0221	PIN, LIFT CYLINDER, BASE END
51	1	DR0237	PIN, EXTEND CYLINDER, BASE END
52	1	HC0163	CYLINDER, EXTEND
53	2	HD0151	SNAP RING, 2" INTERNAL
54	2	HD0167	SNAP RING, 1-3/8" EXTERNAL
55	2	HD0243	SCREW, 3/8"-16 X 3-1/2" HEX HD CAP
56	1	HD0252	SCREW, 5/8"-11 X 5" HEX HD CAP
57	2	WJ0113	PIN, LIFT CYLINDER, ROD END
58	1	WJ0137	PIN, EXTEND, CYLINDER, ROD END

Section VI - PARTS (cont'd)

8807 RECOVERY BOOM ASSEMBLY



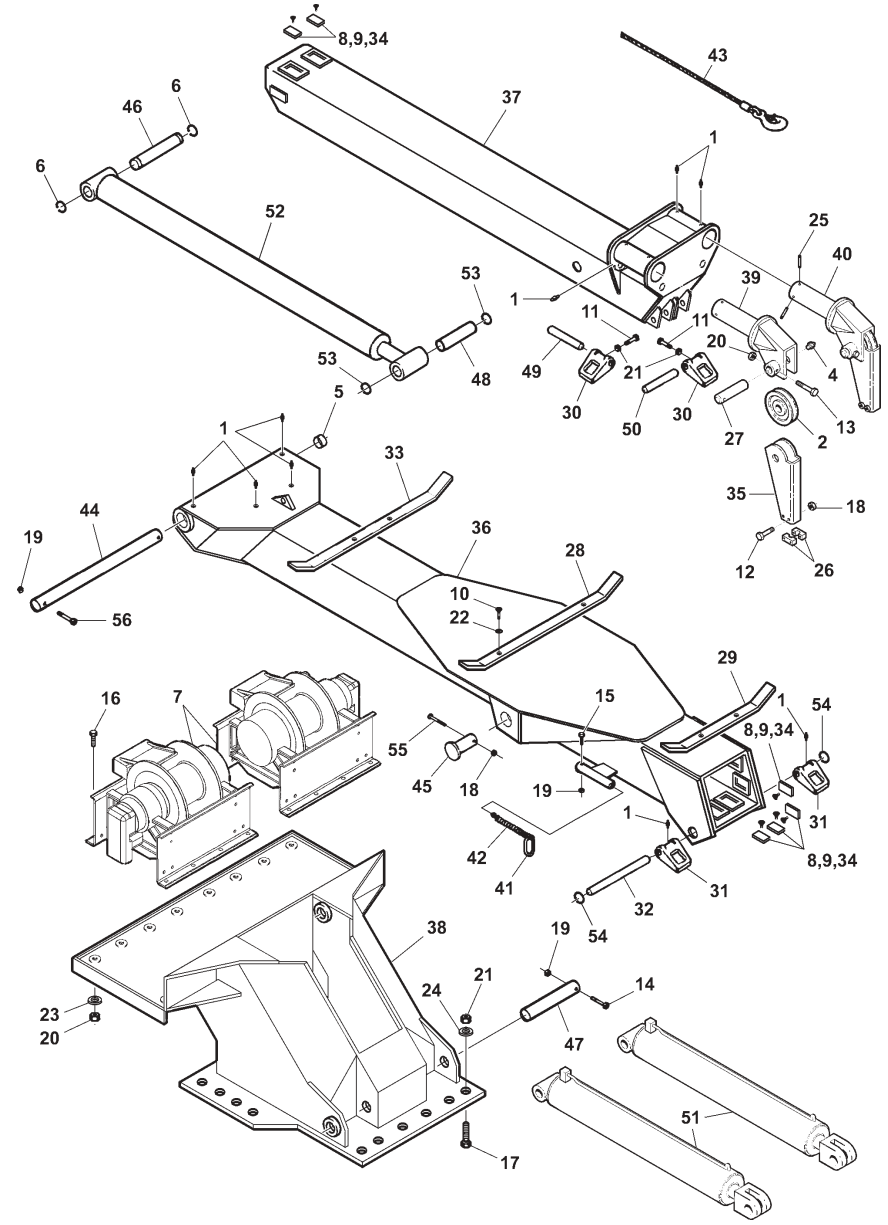
Section VI - PARTS (cont'd)
8807 RECOVERY BOOM ASSEMBLY

REF. NO.	NO. REQ'D	PART NUMBER	DESCRIPTION
1	13	0300113	GREASE FITTING
2	1	0300311	SHEAVE, 10"
3	2	0301215	CABLE, 3/4" X 250' 6x37 IWRC
4	4	0301334	CATERPILLAR GROMMET, 1/2"
5	2	0301895	GREASE FITTING, STR 1/8"
6	2	0302538	BUSHING, 3-1/2" O.D. X 3" I.D. X 2-1/2"
7	2	0302776	SNAP RING, 2" EXTERNAL
8	2	0303504	WINCH, DP S50-50K
9	9	0306535	PAD, WEAR
10	2	0307130	LIFT CYLINDER
11	9	0400059	SCREW, 1/4"-20 X 5/8" HEX HD CAP
12	6	0400121	SCREW, 3/8"-16 X 3/4" HEX HD CAP
13	2	0400130	SCREW, 3/8"-16 X 3-1/2" HEX HD CAP
14	2	0400133	SCREW, 3/8"-16 X 3" HEX HD CAP
15	1	0400140	SCREW, 3/8"-16 X 4" HEX HD CAP
16	2	0400255	SCREW, 5/8"-11 X 5-1/2" HEX HD CAP
17	2	0400265	SCREW, 5/8"-11 X 4" HEX HD CAP
18	16	0400287	SCREW, 3/4"-10 X 3-1/2" HEX HD CAPGR8
19	14	0400334	SCREW, 1"-8 X 3-1/2" HEX HD CAP
20	5	0400392	NUT, 3/8"-16 NYLOK HEX
21	2	0400398	NUT, 3/8"-16 NYLOK HALF
22	5	0400421	NUT, 5/8"-11 NYLOK HEX
23	16	0400431	NUT, 3/4"-10 NYLOK HEX GR8
24	14	0400443	NUT, 1"-8 NYLOK HEX
25	6	0400482	LOCKWASHER, 3/8" HELICAL
26	14	0400518	WASHER, 1" FLAT
27	6	0400557	ROLL PIN, 1/2" X 1-1/4"

REF. NO.	NO. REQ'D	PART NUMBER	DESCRIPTION
28	2	0700511	BOTTOM CABLE GUIDE
29	1	0700563	SHAFT, SHEAVE
30	1	0705103	WINCH CABLE SUPPORT PLATE
31	2	0706042	CABLE SUPPORT WING, LONG
32	2	0708452	"D"-RING TOWING
33	2	0708555	"D"-RING TOWING
34	2	0708561	PIN, "D"-RING
35	1	0708562	PIN, "D"-RING
36	4	0711998	ANGLE WINCH MOUNTING
37	2	0802027	CABLE GUIDE WELDMENT
38	1	0802616	OUTER BOOM WELDMENT
39	1	0804277	INNER BOOM WELDMENT
40	1	0804450	BOOM END SWIVEL WELDMENT
41	1	0805848	WRECKER FRAME 8807
42	1	0906535	BOOM SWIVEL ASSEMBLY (COMPLETE)
43	2	9048800	WELDLESS CHAIN LINK, 5/8"
44	2	945030007	CABLE TIE BACK SPRING
45	1	DR0220	PIN, BOOM PIVOT BASE END
46	2	DR0221	PIN, LIFT CYLINDER, ROD END
47	1	DR0237	PIN, EXTEND CYLINDER, BASE END
48	2	DR0242	PIN, LIFT CYLINDER, BASE END
49	1	HC0163	CYLINDER, EXTEND
50	2	HD0151	SNAP RING, 2" INTERNAL
51	2	HD0167	SNAP RING, 1-3/8" EXTERNAL
52	2	HD0243	SCREW, 3/8"-16 X 3-1/2" HEX HD CAP
53	1	HD0252	SCREW, 5/8"-11 X 5" HEX HD CAP
54	1	WK0249	PIN, EXTEND, CYLINDER, ROD END

Section VI - PARTS (cont'd)

9907 RECOVERY BOOM ASSEMBLY



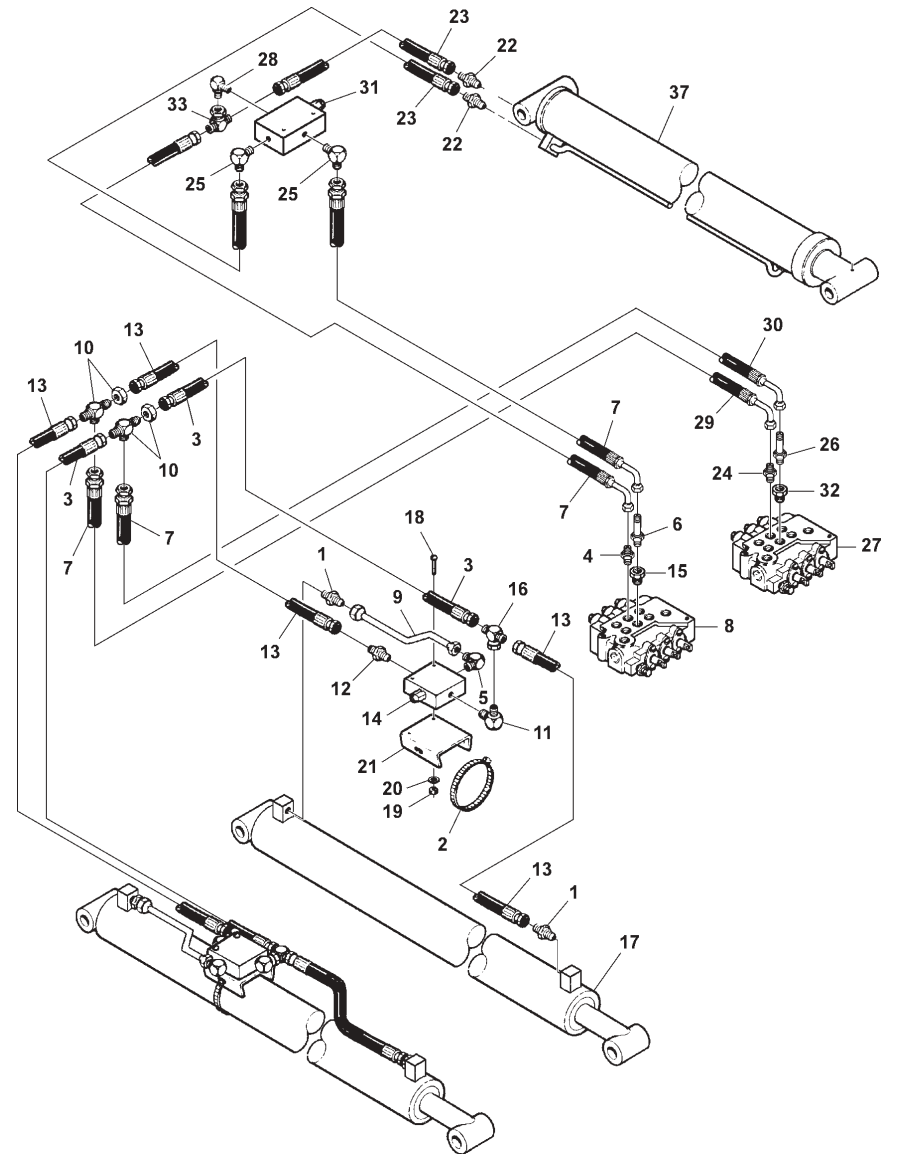
Section VI - PARTS (cont'd)
9907 RECOVERY BOOM ASSEMBLY

REF. NO.	NO. REQ'D	PART NUMBER	DESCRIPTION
1	13	0300113	GREASE FITTING
2	1	0300311	SHEAVE, 10"
3	4	0301334	CATERPILLAR GROMMET, 1/2"
4	2	0301895	GREASE FITTING, STR 1/8"
5	2	0302538	BUSHING, 3-1/2" O.D. X 3" I.D. X 2-1/2"
6	2	0302776	SNAP RING, 2" EXTERNAL
7	2	0303507	WINCH, DP 60K
8	9	0306535	PAD, WEAR
9	9	0400059	SCREW, 1/4"-20 X 5/8" HEX HD CAP
10	6	0400121	SCREW, 3/8"-16 X 3/4" HEX HD CAP
11	4	0400130	SCREW, 3/8"-16 X 3-1/2" HEX HD CAP
12	2	0400133	SCREW, 3/8"-16 X 3" HEX HD CAP
13	1	0400140	SCREW, 3/8"-16 X 4" HEX HD CAP
14	2	0400255	SCREW, 5/8"-11 X 5-1/2" HEX HD CAP
15	2	0400265	SCREW, 5/8"-11 X 4" HEX HD CAP
16	16	0400307	SCREW, 7/8"-9 X 4" HEX HD CAPGR8
17	14	0400334	SCREW, 1"-8 X 3-1/2" HEX HD CAP
18	9	0400392	NUT, 3/8"-16 NYLOK HEX
19	5	0400421	NUT, 5/8"-11 NYLOK HEX
20	16	0400437	NUT, 7/8"-9 NYLOK HEX GR8
21	14	0400443	NUT, 1"-8 NYLOK HEX
22	6	0400482	LOCKWASHER, 3/8" HELICAL
23	16	0400513	WASHER, 7/8" FLAT
24	14	0400518	WASHER, 1" FLAT
25	6	0400557	ROLL PIN, 1/2" X 1-1/4"
26	2	0700511	BOTTOM CABLE GUIDE
27	1	0700563	SHAFT, SHEAVE
28	1	0706042	CABLE SUPPORT WING, LONG

REF. NO.	NO. REQ'D	PART NUMBER	DESCRIPTION
29	1	0706043	CABLE SUPPORT WING, MEDIUM
30	4	0708452	"D"-RING TOWING
31	2	0708555	"D"-RING TOWING
32	1	0708562	PIN, "D"-RING
33	1	0715588	CABLE SUPPORT WING, EXTRA LONG
34	9	0715672	PLATE, WEAR PAD SUPPORT
35	2	0802027	CABLE GUIDE WELDMENT
36	1	0802733	OUTER BOOM WELDMENT
37	1	0802738	INNER BOOM WELDMENT
38	1	0804437	WRECKER FRAME 9907
39	1	0804451	BOOM END SWIVEL WELDMENT
40	1	0906537	BOOM SWIVEL ASSEMBLY (COMPLETE)
41	2	9048800	WELDLESS CHAIN LINK, 5/8"
42	2	945030007	CABLE TIE BACK SPRING
43	2	CH0197	CABLE, 7/8" X 250' 6x26 IWRC
44	1	DR0220	PIN, BOOM PIVOT BASE END
45	2	DR0221	PIN, LIFT CYLINDER, ROD END
46	1	DR0237	PIN, EXTEND CYLINDER, BASE END
47	2	DR0242	PIN, LIFT CYLINDER, BASE END
48	1	DR0244	PIN, EXTEND CYLINDER, ROD END
49	2	DR0422	PIN, "D"-RING
50	2	GA0215	PIN, "D"-RING
51	2	HC0129	LIFT CYLINDER
52	1	HC0151	CYLINDER, EXTEND
53	2	HD0151	SNAP RING, 2" INTERNAL
54	2	HD0167	SNAP RING, 1-3/8" EXTERNAL
55	2	HD0243	SCREW, 3/8"-16 X 3-1/2" HEX HD CAP
56	1	HD0252	SCREW, 5/8"-11 X 5" HEX HD CAP

Section VI - PARTS (cont'd)

6807 RECOVERY BOOM HYDRAULICS



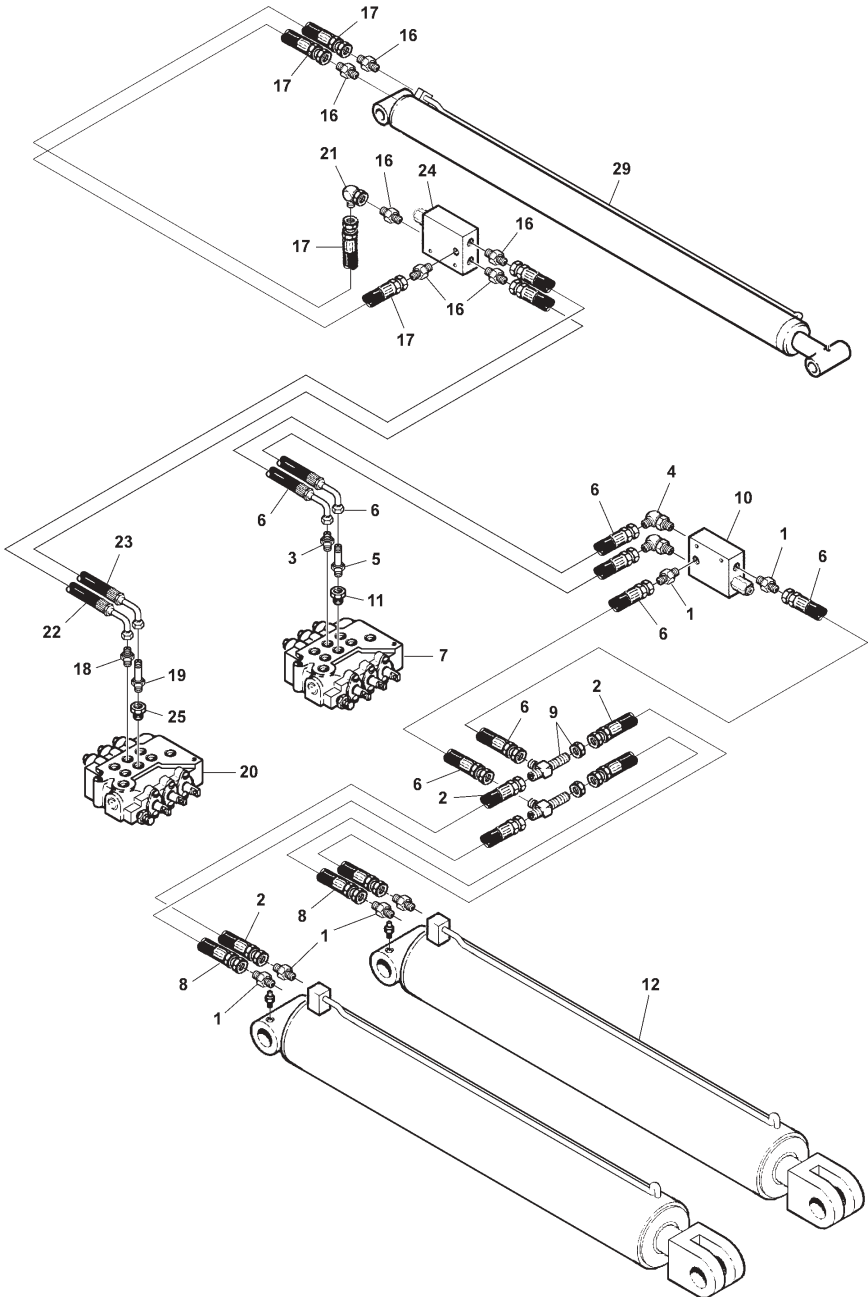
Section VI - PARTS (cont'd)

6807 RECOVERY BOOM HYDRAULICS

REF. NO.	NO. REQ'D	PART NUMBER	DESCRIPTION
			LIFT HYDRAULICS
1	4	0300041	CONNECTOR, 8MJ-8MB
2	2	0300365	CLAMP, CHECK VAVLE RETAINING, 7"
3	2	0300787	HOSE ASSEMBLY, 53"
4	1	0301376	CONNECTOR, 8MJ-10MB
5	2	0301388	ELBOW, 8MJ-8MP90
6	1	0301445	EXTENDED CONNECTOR, 8MJ-8MB
7	4	0301893	HOSE ASSEMBLY, 84"
8	1	0302296	CONTROL VALVE, VDP12CDD118
9	2	0302568	TUBING, HYDRAULIC
10	2	0302574	BULKHEAD RUN TEE
11	2	0302797	ELBOW, 8MJ-4MP90
12	2	0302930	CONNECTOR, 8MJ-6MP
13	4	0302955	HOSE ASSEMBLY, 48-1/4"
14	1	0303165	HOLDING VALVE
15	1	0303176	ADAPTER, 10MB-8FB
16	1	0306881	MALE BRANCH TEE
17	2	0306950	LIFT CYLINDER
18	4	0400078	SCREW, 1/4"-20 X 2" RD HD SLOTTED
19	4	0400367	NUT, 1/4"-20 HEX
20	4	0400451	WASHER, 1/4" FLAT
21	1	0703001	BRACKET, CHECK VALVE MOUNTING
			EXTEND HYDRAULICS
22	2	0300041	CONNECTOR, 8MJ-8MB
23	2	0300659	HOSE ASSEMBLY, 45"
24	1	0301376	CONNECTOR, 8MJ-10MB
25	2	0301388	ELBOW, 8MJ-8MP90
26	1	0301445	EXTENDED CONNECTOR, 8MJ-8MB
27	1	0302296	CONTROL VALVE, VDP12CDD118
28	1	0302488	ELBOW, 8MJ-8FJX90
29	1	0302950	HOSE ASSEMBLY, 100"
30	1	0302951	HOSE ASSEMBLY, 100"
31	1	0303165	HOLDING VALVE
32	1	0303176	ADAPTER, 10MB-8FB
33	1	0306881	MALE BRANCH TEE
34	2	0400078	SCREW, 1/4"-20 X 2" RD HD SLOTTED
35	2	0400367	NUT, 1/4"-20 HEX
36	2	0400451	WASHER, 1/4" FLAT
37	1	HC0163	CYLINDER, EXTEND

Section VI - PARTS (cont'd)

8807 RECOVERY BOOM HYDRAULICS



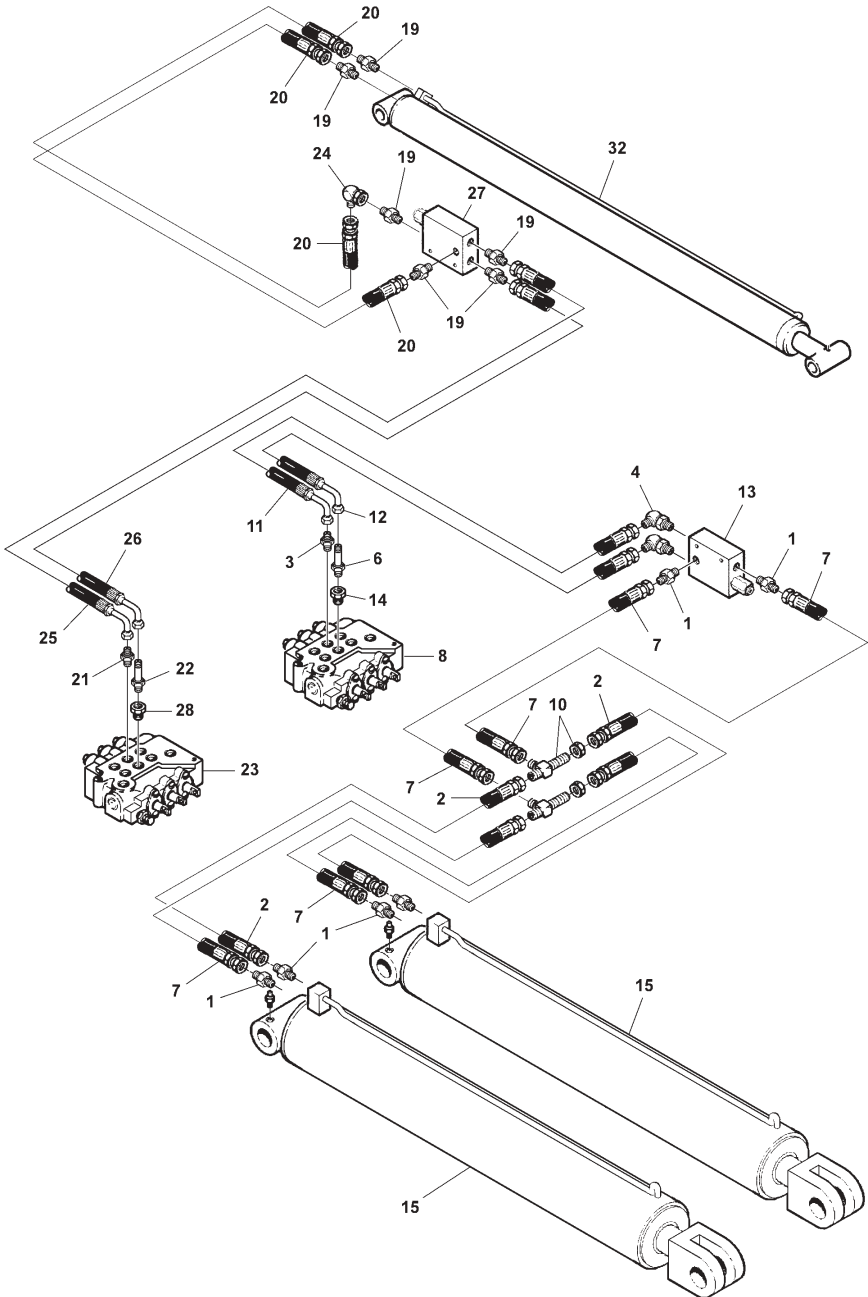
Section VI - PARTS (cont'd)

8807 RECOVERY BOOM HYDRAULICS

REF. NO.	NO. REQ'D	PART NUMBER	DESCRIPTION
			LIFT HYDRAULICS
1	6	0300041	CONNECTOR, 8MJ-8MB
2	2	0300659	HOSE ASSEMBLY, 45"
3	1	0301376	CONNECTOR, 8MJ-10MB
4	2	0301388	ELBOW, 8MJ-8MP90
5	1	0301445	EXTENDED CONNECTOR, 8MJ-8MB
6	4	0301893	HOSE ASSEMBLY, 84"
7	1	0302296	CONTROL VALVE, VDP12CDD118
8	2	0302304	HOSE ASSEMBLY, 42"
9	2	0302574	BULKHEAD RUN TEE
10	1	0303165	HOLDING VALVE
11	1	0303176	ADAPTER, 10MB-8FB
12	2	0307130	LIFT CYLINDER
13	4	0400078	SCREW, 1/4"-20 X 2" RD HD SLOTTED
14	4	0400367	NUT, 1/4"-20 HEX
15	4	0400451	WASHER, 1/4" FLAT
			EXTEND HYDRAULICS
16	5	0300041	CONNECTOR, 8MJ-8MB
17	2	0300659	HOSE ASSEMBLY, 45"
18	1	0301376	CONNECTOR, 8MJ-10MB
19	1	0301445	EXTENDED CONNECTOR, 8MJ-8MB
20	1	0302296	CONTROL VALVE, VDP12CDD118
21	1	0302488	ELBOW, 8MJ-8FJX90
22	1	0302950	HOSE ASSEMBLY, 100"
23	1	0302951	HOSE ASSEMBLY, 100"
24	1	0303165	HOLDING VALVE
25	1	0303176	ADAPTER, 10MB-8FB
26	2	0400078	SCREW, 1/4"-20 X 2" RD HD SLOTTED
27	2	0400367	NUT, 1/4"-20 HEX
28	2	0400451	WASHER, 1/4" FLAT
29	1	HC0163	CYLINDER, EXTEND

Section VI - PARTS (cont'd)

9907 RECOVERY BOOM HYDRAULICS



Section VI - PARTS (cont'd)

9907 RECOVERY BOOM HYDRAULICS

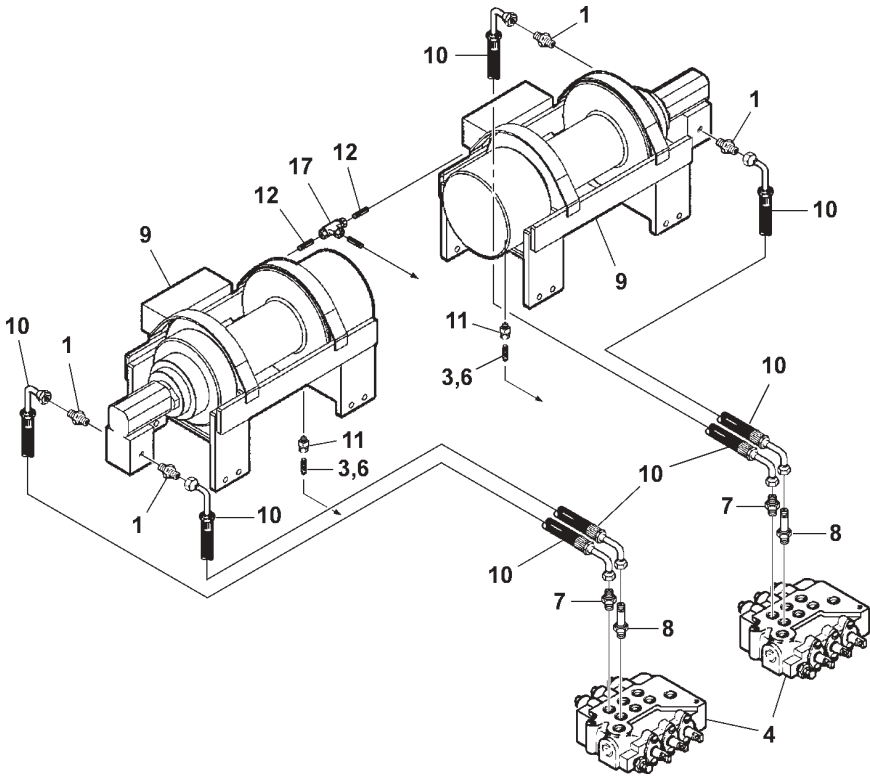
REF. NO.	NO. REQ'D	PART NUMBER	DESCRIPTION
			LIFT HYDRAULICS
1	6	0300041	CONNECTOR, 8MJ-8MB
2	2	0300659	HOSE ASSEMBLY, 45"
3	1	0301376	CONNECTOR, 8MJ-10MB
4	2	0301388	ELBOW, 8MJ-8MP90
5	2	0301410	HOSE ASSEMBLY, 23"
6	1	0301445	EXTENDED CONNECTOR, 8MJ-8MB
7	4	0301893	HOSE ASSEMBLY, 84"
8	1	0302296	CONTROL VALVE, VDP12CDD118
9	2	0302304	HOSE ASSEMBLY, 42"
10	2	0302575	BULKHEAD RUN TEE
11	1	0303040	HOSE ASSEMBLY, 115"
12	1	0303041	HOSE ASSEMBLY, 115"
13	1	0303165	HOLDING VALVE
14	1	0303176	ADAPTER, 10MB-8FB
15	2	HC0129	LIFT CYLINDER
16	4	0400078	SCREW, 1/4"-20 X 2" RD HD SLOTTED
17	4	0400367	NUT, 1/4"-20 HEX
18	4	0400451	WASHER, 1/4" FLAT
			EXTEND HYDRAULICS
19	6	0300041	CONNECTOR, 8MJ-8MB
20	2	0300659	HOSE ASSEMBLY, 45"
21	1	0301376	CONNECTOR, 8MJ-10MB
22	1	0301445	EXTENDED CONNECTOR, 8MJ-8MB
23	1	0302296	CONTROL VALVE, VDP12CDD118
24	1	0302488	ELBOW, 8MJ-8FJX90
25	1	0302950	HOSE ASSEMBLY, 100"
26	1	0302951	HOSE ASSEMBLY, 100"
27	1	0303165	HOLDING VALVE
28	1	0303176	ADAPTER, 10MB-8FB
29	2	0400078	SCREW, 1/4"-20 X 2" RD HD SLOTTED
30	2	0400367	NUT, 1/4"-20 HEX
31	2	0400451	WASHER, 1/4" FLAT
32	1	HC0151	CYLINDER, EXTEND

Section VI - PARTS (cont'd)
6807 WINCH HYDRAULICS
& AIR FREE SPOOL

REF. NO.	NO. REQ'D	PART NUMBER	DESCRIPTION
1	4	0300041	CONNECTOR, 8MJ-8MB
2	4	0300897	RUBBER GROMMET (NOT SHOWN)
3	35 FT.	0301577	AIR HOSE, 1/4" O.D.
4	2	0302296	CONTROL VALVE, VDP12CDD118
5	35	0302434	CABLE TIE, 4" 18 LB. (NOT SHOWN)
6	35 FT.	0302495	CONVOLUTED LOOM, 1/4"
7	2	0302827	CONNECTOR, 10MJ-10MB
8	2	0302828	EXTENDED CONNECTOR, 10MJ-10MB
9	2	0303693	WINCH, DP 35K
10	4	0306933	HOSE ASSEMBLY, 135"
11	2	9010520	FITT, BRASS ELB 1/4T-1/4MP
--	--	0904183	KIT, AIR TENSIONER
12	25 FT.	0301577	AIR HOSE, 1/4" O.D.
13	25	0302434	CABLE TIE, 4" 18 LB. (NOT SHOWN)
14	25 FT.	0302495	CONVOLUTED LOOM, 1/4"
15	2	0400062	SCREW, 1/4"-20 X 3/4" THRD CUT HEX (N.S.)
16	2	9010520	FITT, BRASS ELB 1/4T-1/4MP (NOT SHOWN)
17	1	9011071	FITT, BRASS TEE 1/4T-1/
18	1	HA0131	REGULATOR (NOT SHOWN)
19	1	HA0132	GAUGE, 0-160 PSI (NOT SHOWN)

Section VI - PARTS (cont'd)

8807 WINCH HYDRAULICS & AIR FREE SPOOL



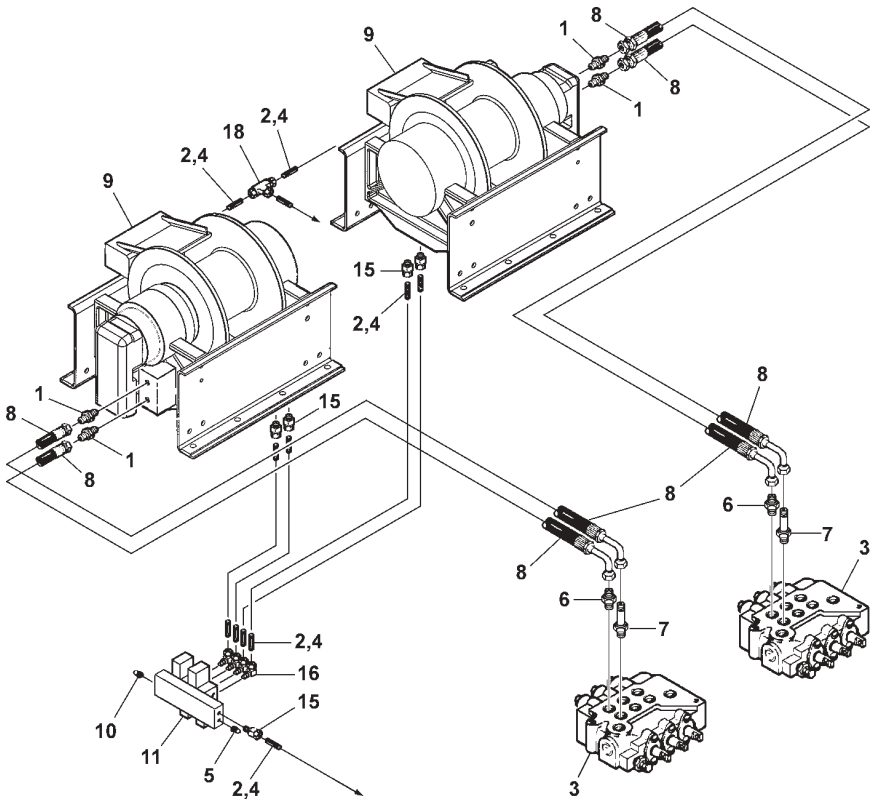
Section VI - PARTS (cont'd)

8807 WINCH HYDRAULICS & AIR FREE SPOOL

REF. NO.	NO. REQ'D	PART NUMBER	DESCRIPTION
1	4	0300041	CONNECTOR, 8MJ-8MB
2	4	0300897	RUBBER GROMMET (NOT SHOWN)
3	35 FT.	0301577	AIR HOSE, 1/4" O.D.
4	2	0302296	CONTROL VALVE, VDP12CDD118
5	35	0302434	CABLE TIE, 4" 18 LB. (NOT SHOWN)
6	35 FT.	0302495	CONVOLUTED LOOM, 1/4"
7	2	0302827	CONNECTOR, 10MJ-10MB
8	2	0302828	EXTENDED CONNECTOR, 10MJ-10MB
9	2	0303504	WINCH, DP S50-50K
10	4	0306933	HOSE ASSEMBLY, 135"
11	2	9010520	FITT, BRASS ELB 1/4T-1/4MP
--	--	0904183	KIT, AIR TENSIONER
12	25 FT.	0301577	AIR HOSE, 1/4" O.D.
13	25	0302434	CABLE TIE, 4" 18 LB. (NOT SHOWN)
14	25 FT.	0302495	CONVOLUTED LOOM, 1/4"
15	2	0400062	SCREW, 1/4"-20 X 3/4" THRD CUT HEX (N.S.)
16	2	9010520	FITT, BRASS ELB 1/4T-1/4MP (NOT SHOWN)
17	1	9011071	FITT, BRASS TEE 1/4T-1/
18	1	HA0131	REGULATOR (NOT SHOWN)
19	1	HA0132	GAUGE, 0-160 PSI (NOT SHOWN)

Section VI - PARTS (cont'd)

9907 WINCH HYDRAULICS & AIR FREE SPOOL

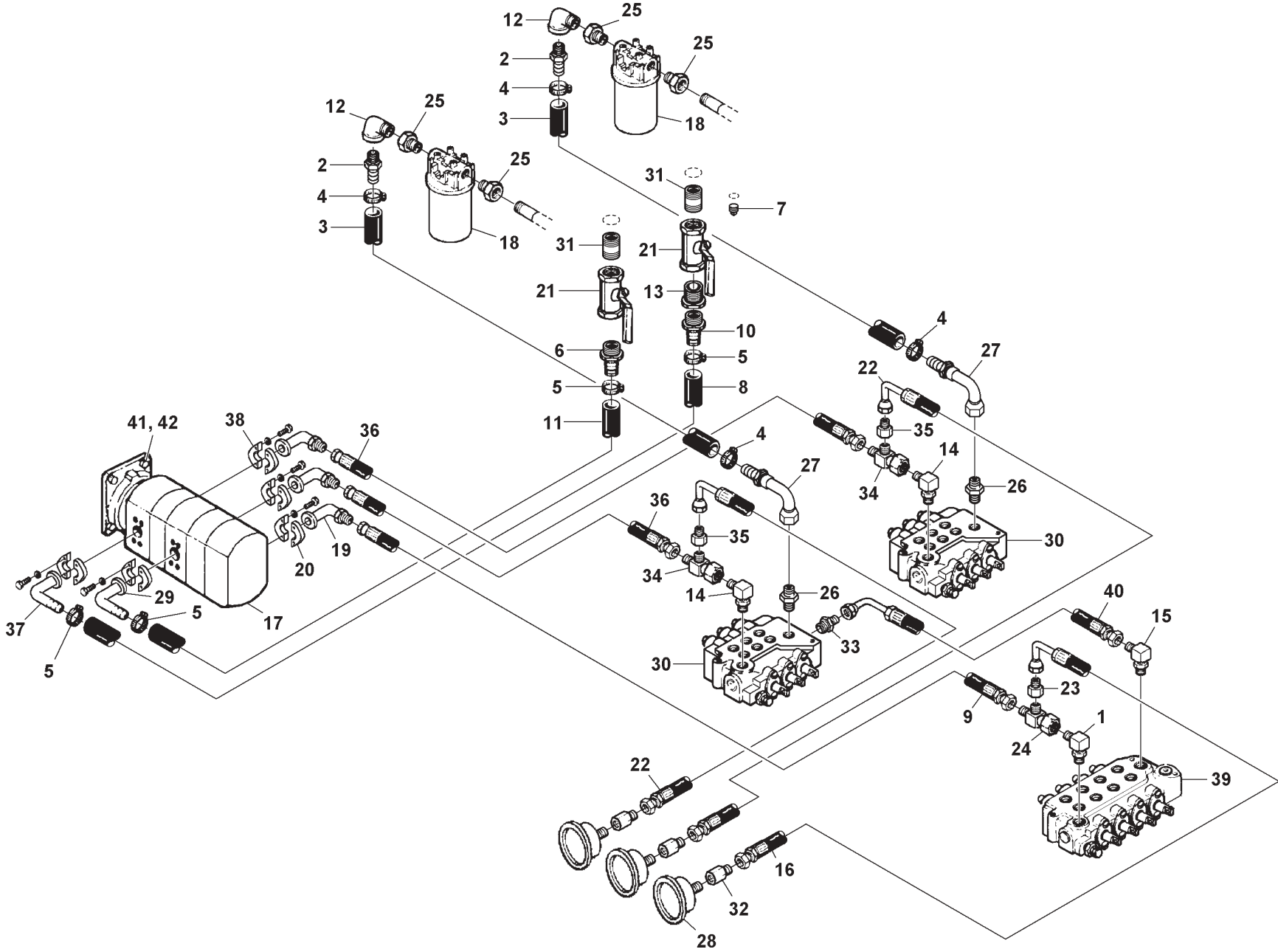


Section VI - PARTS (cont'd)
9907 WINCH HYDRAULICS
& AIR FREE SPOOL

REF. NO.	NO. REQ'D	PART NUMBER	DESCRIPTION
1	4	0300041	CONNECTOR, 8MJ-8MB
2	20 FT.	0301577	AIR HOSE, 1/4" O.D.
3	2	0302296	CONTROL VALVE, VDP12CDD118
4	20 FT.	0302495	CONVOLUTED LOOM, 1/4"
5	1	0302677	BREATHER VENT, 2MP
6	2	0302827	CONNECTOR, 10MJ-10MB
7	2	0302828	EXTENDED CONNECTOR, 10MJ-10MB
8	4	0303039	HOSE ASSEMBLY, 185"
9	2	0303507	WINCH, DP 60K-2 SPEED
10	2	0306977	FITTING BRASS PLUG 1/8
11	1	0306980	AIR SOLENOID STK
12	2	0400367	NUT, 1/4"-20 HEX NYLOK
13	2	0400458	LOCKWASHER, 1/4" STAR
14	2	0402024	SCREW, 1/4"-20 X 1-1/4" SKT HD
15	7	9010024	FITT, BRASS CONN 1/4T-1
16	4	9010030	FITT, BRASS ELB 1/4T-1/
17	2	9011053	FITT, BRASS CONN 1/4T-1
18	1	9011071	FITT, BRASS TEE 1/4T-1/

Section VI - PARTS (cont'd)

PUMP, VALVE & FILTER HYDRAULICS



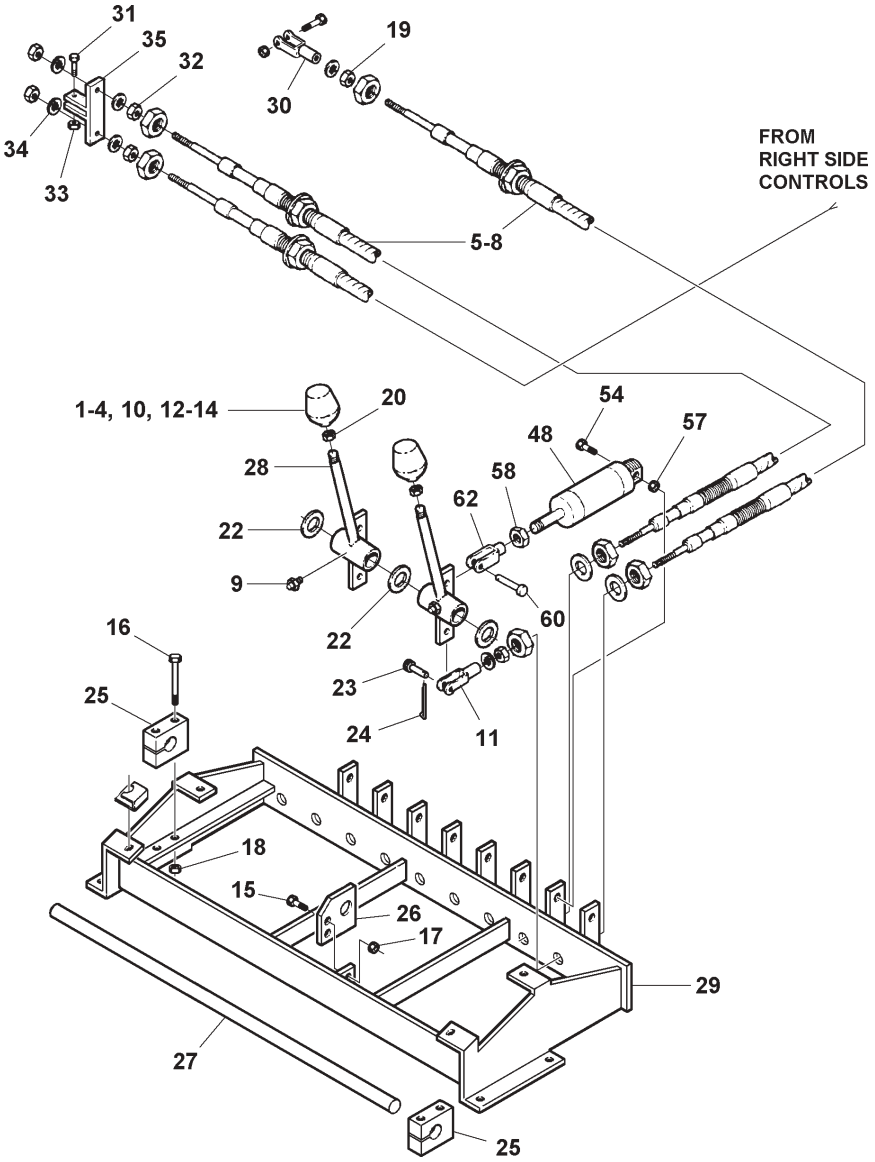
Section VI - PARTS (cont'd)

PUMP, VALVE & FILTER HYDRAULICS

REF. NO.	NO. REQ'D	PART NUMBER	DESCRIPTION
1	1	0300052	ELBOW, 8MJ-10MB90
2	2	0300056	BARB, 16C4-16MP
3	18 FT.	0300058	SUCTION HOSE, 1"
4	4	0300071	HOSE CLAMP, 1"
5	4	0300364	HOSE CLAMP, 1" - 2-1/4"
6	1	0300434	HOSE BARB, 2" 32C4-32MP
7	1	0300446	PIPE PLUG, 3/4" MALE
8	15 ft.	0300558	SUCTION HOSE, 2"
9	1	0300660	HOSE ASSEMBLY, 120"
10	1	0300666	BARB, 24C4-24MP
11	1	0300671	SUCTION HOSE, 1-1/2"
12	2	0300692	STREET ELBOW, 1" 90°
13	1	0301373	PIPE BUSHING
14	2	0301545	ELBOW, 12MJ-12MB90
15	1	0301547	ELBOW, 8MJ-12MB90
16	1	0301695	HOSE ASSEMBLY, 91"
17	1	0301836	HYDRAULIC PUMP
18	2	0301894	SPIN-ON FILTER ASSEMBLY
19	1	0301904	ELBOW, 8MJ-12FL90
20	1	0301905	O-RING FLANGE KIT, 12FH
21	2	0301961	BALL VALVE, BRONZE
22	2	0301965	HOSE ASSEMBLY, 131"
23	2	0301995	ADAPTER, 8FJ-6MJ
24	1	0302052	RUN TEE, 8MJ-8FJX-8MJ
25	4	0302108	REDUCER BUSHING, 20MP-16FP
26	2	0302169	O-RING CONNECTOR, 16MJ-12MB
27	2	0302170	BENT TUBE SWIVEL, 16C2-16FJX90
28	3	0302205	GAUGE, FLUSH MOUNT, 6000 PSI
29	1	0302242	FLANGE FITTING, 24FL-24HOSE90
30	2	0302296	CONTROL VALVE, VDP12CDD118
31	2	0302367	PIPE NIPPLE, 2" x 4"
32	3	0302577	CONNECTOR, 6MJ-4FP
33	1	0302757	CONNECTOR, 8MJ-16MB
34	2	0302826	TEE, 12MJ-12FJX-12MJ
35	2	0302829	ADAPTER, 12FJ-6MJ
36	2	0302901	HOSE ASSEMBLY, 120"
37	1	0302931	ELBOW, FLANGE 24-32FL90 w/ FLANGE KIT
38	2	0302932	ELBOW, 12MJ-20FL90 w/ FLANGE KIT
39	2	0303093	CONTROL VALVE, VDP11DDDC110
40	1	0303182	HOSE ASSEMBLY, 41"
41	4	0400177	SCREW, 1/2"-13 X 1-1/4" HEX HD CAP
42	4	0400491	LOCKWASHER, 1/2" HELICAL

Section VI - PARTS (cont'd)

LEFT CONTROL ASSEMBLY



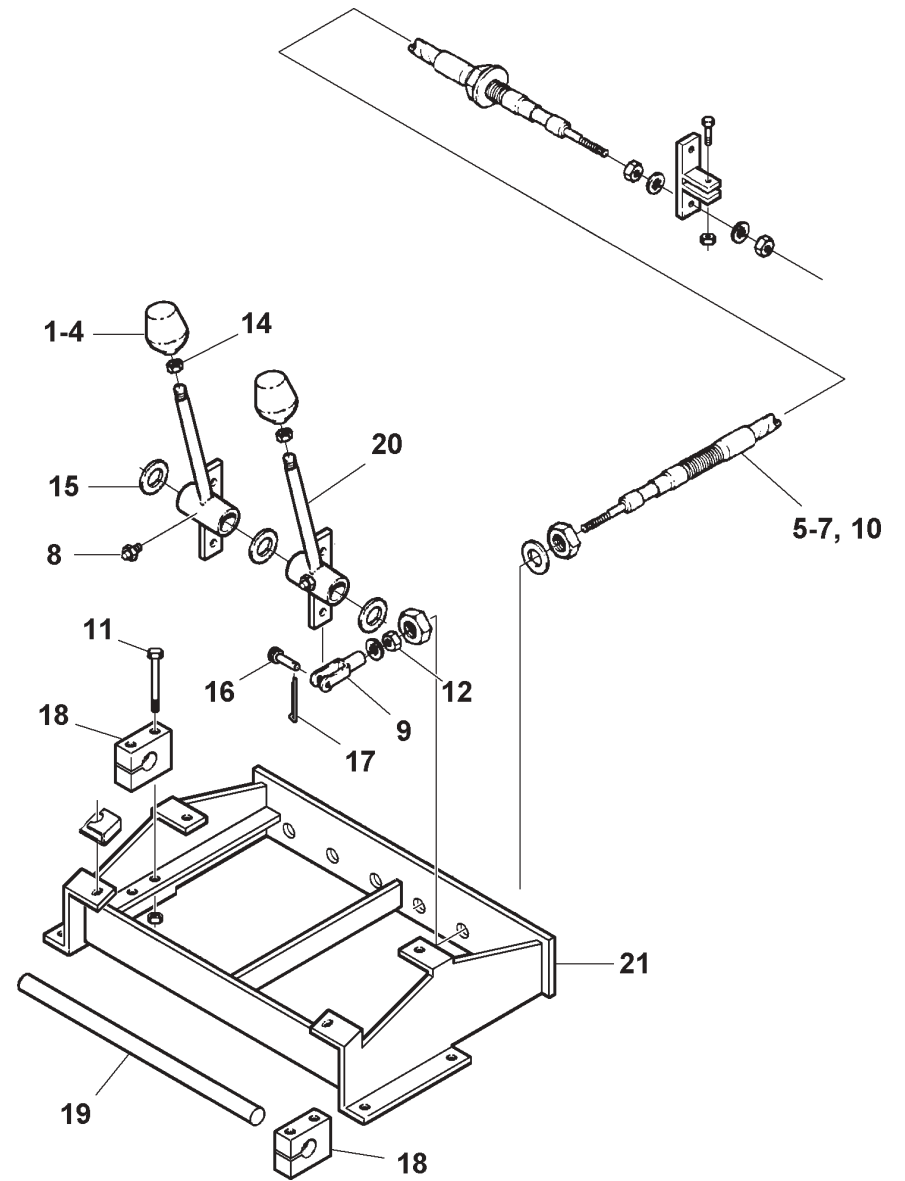
Section VI - PARTS (cont'd)

LEFT CONTROL ASSEMBLY

REF. NO.	NO. REQ'D	PART NUMBER	DESCRIPTION
1	2	0300834	KNOB, IN-OUT
2	1	0300835	KNOB, BOOM UP-DOWN
3	2	0300836	KNOB, JACK UP-DOWN
4	1	0300837	KNOB, BOOM IN-OUT
5	2	0301884	CONTROL CABLE, 96"
6	1	0301969	CONTROL CABLE, 84"
7	2	0302455	CONTROL CABLE, 79"
8	1	0302457	CONTROL CABLE, 104"
9	10	0302726	GREASE FITTING, 1/4"-28 X 45°
10	1	0302856	KNOB, TILT UP-DOWN
11	10	0303008	ADJUSTABLE CLEVIS
12	1	0303380	KNOB, UNDERLIFT IN-OUT
13	1	0303381	KNOB, UNDERLIFT UP-DOWN
14	1	0303382	KNOB, FOLD UP-DOWN
15	2	0400066	SCREW, 1/4"-20 X 3/4" HEX HD CAP
16	4	0400107	SCREW, 5/16"-18 X 2-1/2" HEX HD CAP
17	2	0400367	NUT, 1/4"-20 HEX NYLOK
18	4	0400382	NUT, 5/16"-18 HEX NYLOK
19	10	0400383	NUT, 5/16"-24 HEX
20	10	0400393	NUT, 3/8"-16 HEX JAM
21	4	0400451	WASHER, 1/4" FLAT
22	10	0400512	WASHER, 3/4" FLAT (SPECIAL)
23	10	0400532	CLEVIS PIN, 5/16" X 1"
24	10	0400541	COTTER PIN, 1/16" X 3/4"
25	2	0711235	SHAFT CLAMP, CONTROL BOX
26	1	0711245	SHAFT SUPPORT PLATE
27	1	0714265	PIN, CONTROL BOX
28	10	0803294	CONTROL HANDLE WELDMENT
29	1	0804081	CONTROL FRAME WELDMENT
--	--	0903820	LEFT & RIGHT SIDE CONTROL LINK KIT
30	3	0303008	ADJUSTABLE CLEVIS
31	9	0400112	SCREW, 5/16"-24 X 1-1/4" HEX HD CAP
32	27	0400383	NUT, 5/16"-24 HEX

REF. NO.	NO. REQ'D	PART NUMBER	DESCRIPTION
33	9	0400384	NUT, 5/16"-24 HEX NYLOK
34	24	0400466	LOCKWASHER, 5/16" INTERNAL TOOTH
35	6	0801054	CONTROL CABLE CONNECTOR
--	--	0904364	4 FUNCTION REMOTE CONTROL (Not Shown)
36	10	0300166	WIRE CONNECTOR, SPADE
37	1	0301574	ELBOW, 4TB-4MP90
38	15 FT.	0301577	AIR HOSE, 1/4" O.D.
39	2	0301610	CONNECTOR, 4TB-4MP
40	2	0301618	BRASS PLUG, 4MP
41	35	0302434	CABLE TIE, 4"
42	1	0302677	BREATHER VENT, 2MP
43	16	0302678	ELBOW, 4MP-2MP90
44	1	0302844	AIR SOLENOID VALVE, 8 POSITION
45	1	0303226	CIRCUIT BREAKER, HI-AMP WATERPROOF
46	1	0303235	TERMINAL BLOCK
47	8 FT.	0303322	ELECTRICAL CABLE, 16/10 SO
48	4	0303335	AIR CYLINDER
49	1	0303363	AIR FILTER/REGULATOR
50	1	0303364	AIR LUBRICATOR
51	1	0303365	MOUNTING BRACKET
52	1	0303781	POWER PAL, 8 POSITION
53	2	0400025	SCREW, #8-32 X 3/4" RD HD SLOTTED SS
54	4	0400057	SCREW, 1/4"-20 X 1-1/4" HEX HD CAP
55	2	0400078	SCREW, 1/4"-20 X 2" HEX HD CAP
56	2	0400351	HEX NUT & STAR WASHER, #8-32
57	6	0400367	NUT, 1/4"-20 HEX NYLOK
58	4	0400401	NUT, 7/16"-20 HEX JAM
59	2	0400451	WASHER, 1/4" FLAT
60	4	0400527	CLEVIS PIN, 5/16" X 5/8"
61	1	0711277	SUPPORT, SOLENOID VALVE
62	4	0803181	CLEVIS WELDMENT
63	1	HA0132	GAUGE, 0-160 PSI

Section VI - PARTS (cont'd) RIGHT CONTROL ASSEMBLY



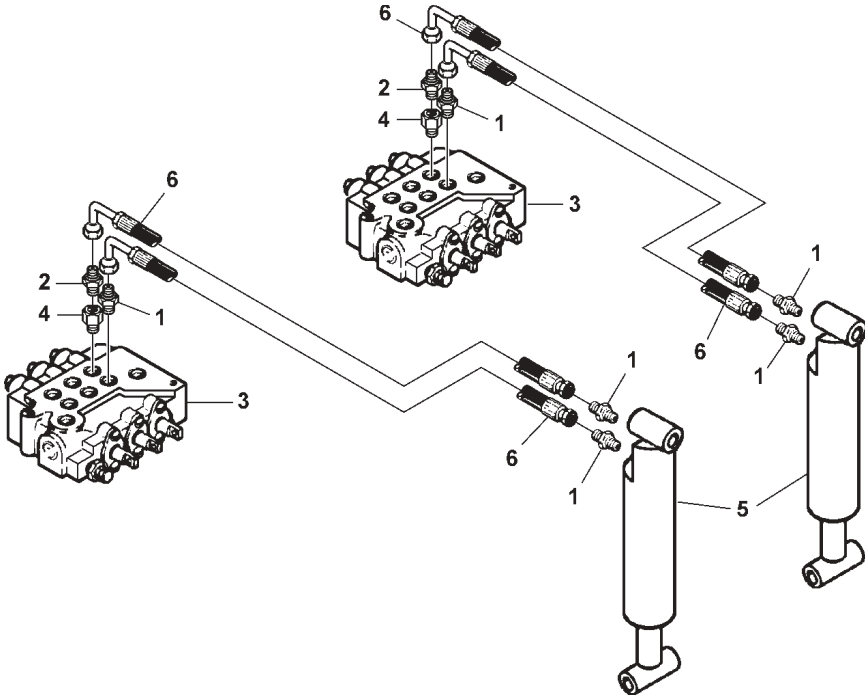
Section VI - PARTS (cont'd)

RIGHT CONTROL ASSEMBLY

REF. NO.	NO. REQ'D	PART NUMBER	DESCRIPTION
1	2	0300834	KNOB, IN-OUT
2	1	0300835	KNOB, BOOM UP-DOWN
3	2	0300836	KNOB, JACK UP-DOWN
4	1	0300837	KNOB, BOOM IN-OUT
5	3	0301884	CONTROL CABLE, 96"
6	1	0301969	CONTROL CABLE, 84"
7	1	0302457	CONTROL CABLE, 104"
8	6	0302726	GREASE FITTING, 1/4"-28 X 45°
9	6	0303008	ADJUSTABLE CLEVIS
10	1	0303427	CONTROL CABLE, 114"
11	4	0400107	SCREW, 5/16"-18 X 2-1/2" HEX HD CAP
12	4	0400382	NUT, 5/16"-18 HEX NYLOK
13	6	0400383	NUT, 5/16"-24 HEX
14	6	0400393	NUT, 3/8"-16 HEX JAM
15	7	0400512	WASHER, 3/4" FLAT (SPECIAL)
16	6	0400532	CLEVIS PIN, 5/16" X 1"
17	6	0400541	COTTER PIN, 1/16" X 3/4"
18	2	0711235	SHAFT CLAMP, CONTROL BOX
19	1	0711247	PIN
20	6	0803294	CONTROL HANDLE WELDMENT
21	1	0804061	CONTROL FRAME WELDMENT

Section VI - PARTS (cont'd)

SPADE HYDRAULICS



REF. NO.	NO. REQ'D	PART NUMBER	DESCRIPTION
1	6	0300044	CONNECTOR, 6MJ-8MB
2	2	0301522	CONNECTOR, 6MJ-6MB
3	2	0302296	CONTROL VALVE, VDP12CDD118
4	2	0303017	CONNECTOR, 8MB-6FB
5	2	0303691	SPADE CYLINDER
6	4	0303748	HOSE ASSEMBLY, 136"

Section VI - PARTS (cont'd)

HYDRAULIC CYLINDERS

REF. NO.	NO. REQ'D	PART NUMBER	DESCRIPTION
1 --	1 --	HC0159 0304522	CYLINDER, SDU2 UNDERLIFT LIFT SEAL KIT, UNDERLIFT LIFT CYLINDER
2 --	1 --	0303501 0304590	CYLINDER, SDU2 UNDERLIFT EXTEND SEAL KIT, UNDERLIFT EXTEND CYLINDER
3 --	1 --	0303902 0304629	CYLINDER, SDU2 UNDERLIFT TILT SEAL KIT, UNDERLIFT TILT CYLINDER
4 --	1 --	0306508 0304609	CYLINDER, SDU2 UNDERLIFT FOLD SEAL KIT, UNDERLIFT FOLD CYLINDER
5 --	2 --	0306950 0304673	CYLINDER, 6807 BOOM LIFT SEAL KIT, 6807 BOOM LIFT CYLINDER
6 --	1 --	HC0163 0304521	CYLINDER, 6807 BOOM EXTEND SEAL KIT, 6807 BOOM EXTEND CYLINDER
7 --	2 --	0307130 --	CYLINDER, 8807 BOOM LIFT SEAL KIT, 8808 BOOM LIFT CYLINDER
8 --	1 --	HC0163 0304521	CYLINDER, 8807 BOOM EXTEND SEAL KIT, 8808 BOOM EXTEND CYLINDER
9 --	2 --	HC0129 HC0716	CYLINDER, 9907 BOOM LIFT SEAL KIT, 9907 BOOM LIFT CYLINDER
10 --	1 --	HC0151 HC0727	CYLINDER, 9907 BOOM EXTEND SEAL KIT, 9907BOOM EXTEND CYLINDER
11 --	2 --	HC0124 HC0433	CYLINDER, REAR SPADE SEAL KIT, REAR SPADE CYLINDER

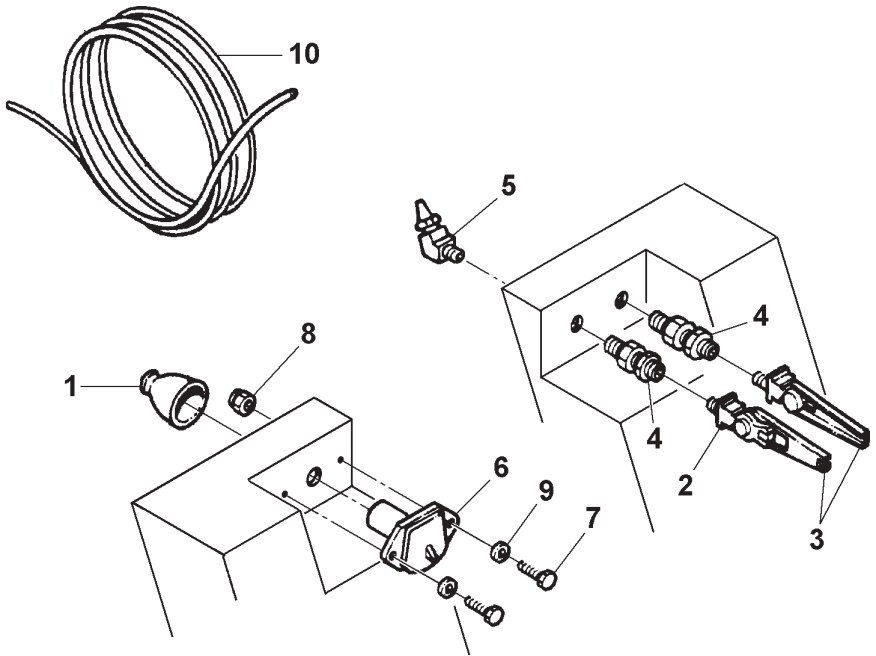
Section VI - PARTS (cont'd)

MODULAR LIGHT KIT

REF. NO.	NO. REQ'D	PART NUMBER	DESCRIPTION
1	1	0300076	LICENSE PLATE BRACKET
2	10	0300117	RUBBER GROMMET
3	1	0300273	LICENSE PLATE ILLUMINATOR
4	1	0300442	3-LIGHT BAR
5	9 FT.	0300844	3/4" X 1/8" CLOSED CELL SPONGE
6	2	0302201	BACKUP LIGHT
7	12	0302544	DOME LIGHT
8	2	0302611	LIGHT, AMBER OVAL
9	2	0306778	LIGHT, TAIL (LEFT)
10	2	0306779	LIGHT, TAIL (RIGHT)
11	40	0400045	SCREW, #10-32 X 1/2" THRD CUT RD SS
12	16	0402003	SCREW, #8-32 X 1-1/2" PH HD MACH SS

Section VI - PARTS (cont'd)

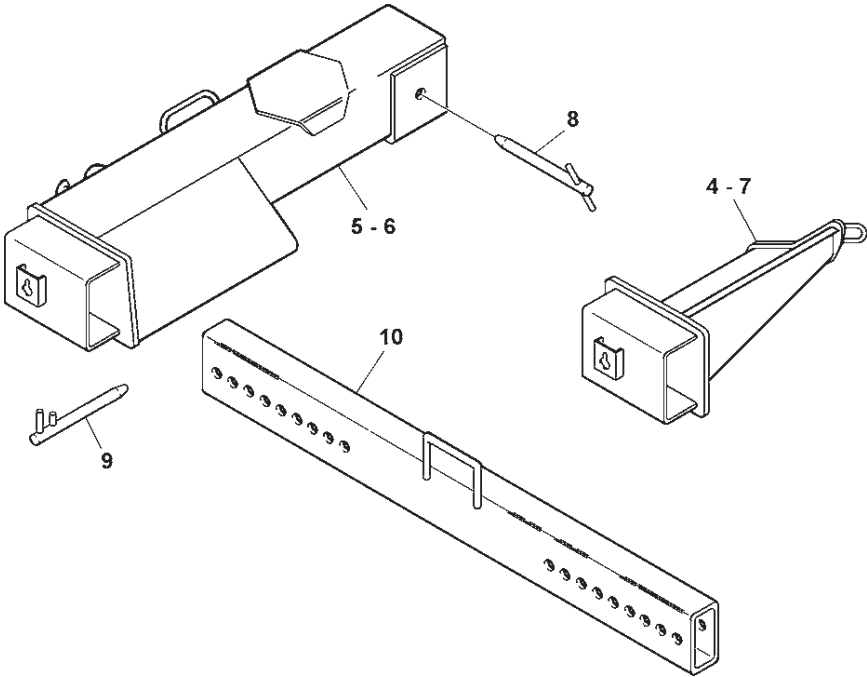
GLAD HAND ASSEMBLY



REF. NO.	NO. REQ'D	PART NUMBER	DESCRIPTION
1	1	0301909	RECEPTACLE BOOT
2	2	0301944	GLAD HAND COUPLING
3	2	0301945	GLAD HAND BOOT
4	2	0301946	BULKHEAD CONNECTOR
5	1	0301947	45° ADAPTER, 1/4" NPM X 3/8" SYN. HOSE
6	1	0301948	HD 7-WAY TRAILER CONNECTOR
7	2	0400070	SCREW, 1/4"-20 X 1" HEX HD CAP
8	2	0400367	NUT, 1/4"-20 HEX NYLOK
9	6	0400451	WASHER, 1/4" FLAT
10	1	0703795	HOSE, 3/8" X 4 FT. SYNTHETIC

Section VI - PARTS (cont'd)

TRUCK WHEEL LIFT



REF. NO.	NO. REQ'D	PART NUMBER	DESCRIPTION
1	2	0301932	5/16" X 12' H.T. CHAIN ASSEMBLY (N.S.)
2	2	0300311	RATCHET WITH HOOK (N.S.)
3	2	0303680	TIE DOWN STRAP, ADJUSTABLE (N.S.)
4	1	0802839	TIRE SUPPORT, RIGHT
5	1	0802841	OUTER CROSSTUBE, LEFT
6	1	0802842	OUTER CROSSTUBE, RIGHT
7	1	0802877	TIRE SUPPORT, LEFT
8	2	0902947	CROSSTUBE RETAINER PIN
9	4	0903089	RETAINER PIN
10	2	0903480	ADJUSTMENT TUBE
11	2	CH0100	5/16" HOOK WITH PIN (NOT SHOWN)

CHALLENGER[®]

Miller Industries Towing Equipment Inc.
8503 Hilltop Drive • Ooltewah, Tennessee 37363 • (423) 238-4171
www.millerind.com