

# CENTURY<sup>®</sup>

1135 & 1140 Rotator



*Some optional equipment shown.*

millering.com



# 1135

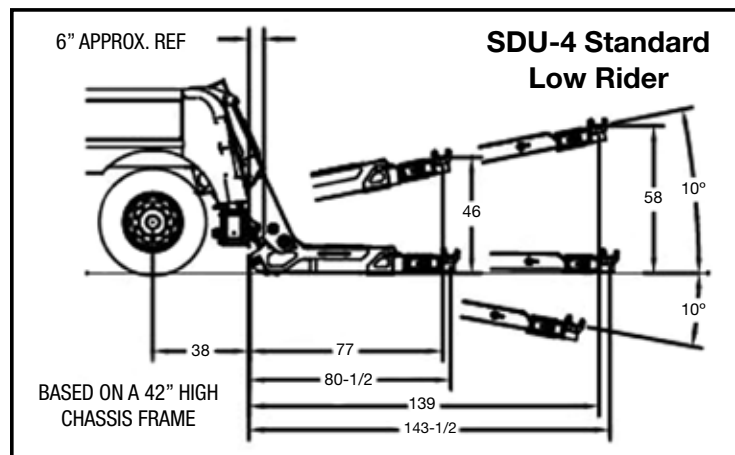
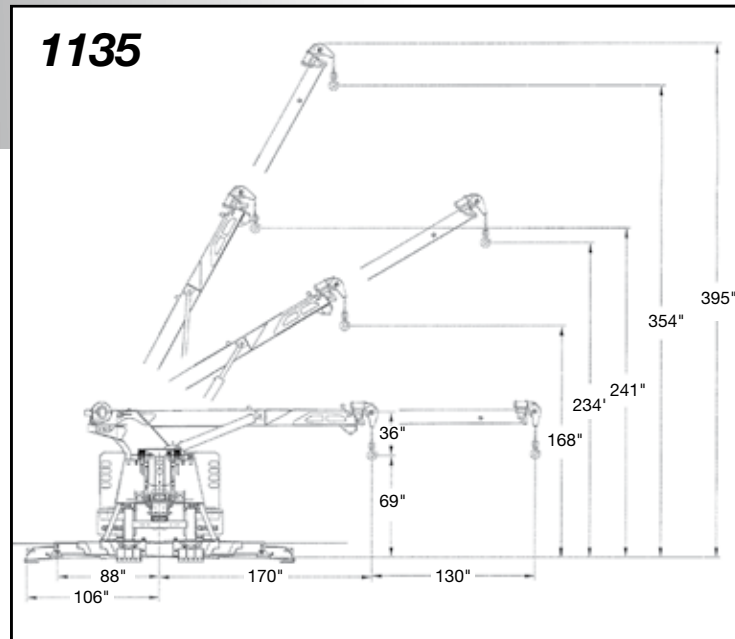
## 1135 Rotator Features

- 2-Stage Recovery Boom
- 190° Boom Rotation Each Direction (from stowed position)
- Dual 25,000 Planetary Winches
- 180" Tandem-Axle or Tri-Axle
- Optional 204" CB RXP Body Option
- Optional Knee Boom Underlift
- Optional 35,000 Planetary Winches



### Optional Radio Proportional Illuminated Controls with Dual Manual Controls.

The backlit controls offer better visibility in low light environments. The wireless proportional remote control allows the operator to move around the recovery scene while simultaneously operating the boom and winch functions.

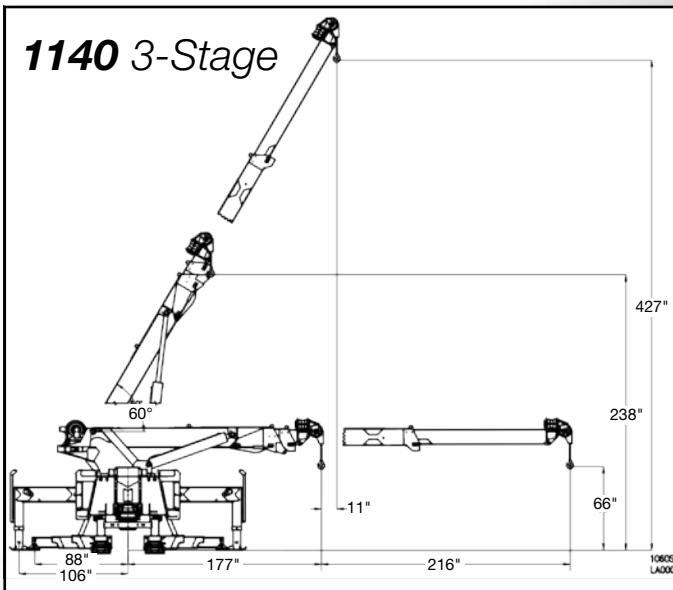


The user-friendly spade attachments are secured with a pin that can be quickly and easily removed so the attachments simply flip down into spade position. Also shown is the optional tailboard D-Ring package and aluminum dress-up kit.



Some optional equipment shown.

# 1140



## 1140 Rotator Features

- 3-Stage Recovery Boom
- 190° Boom Rotation Each Direction (from stowed position)
- Dual 35,000 Planetary Winches
- 180" Tandem-Axle or Tri-Axle
- Optional 204" CB RXP Body Option
- Optional Knee Boom Underlift



The Century RXP option for the 1140 tri-axle rotator incorporates dual 35,000-lb., two-speed planetary winches, as well as 224" of spread for more stability.

Dual 15,000-lb. turret-mounted winches are optional on the Century 1140 Rotator and come with additional sheave heads mounted on the side of the outer boom, two 175' lengths of 1/2" wire rope and two 7-ton alloy swivel hooks.



Century's aluminum body is designed to optimize space for popular towing and recovery equipment.



Some optional equipment shown.

## Standard Body Features

- 180" CB Aluminum Modular Body
- 12-Funct. Floor Mounted Switch Panel (1135)
- Power Distribution System - MMO (1140)  
(2 Touch Screen Displays, 3 MVEC CANS)
- Compartments Over the Wheel Well
- Chrome Double Action Latches
- Keyless Lock/Unlock Tool Compartments
- LED Toolbox & Federal #108 Lighting
- Rubber Fenderettes & Mud Flaps
- Chain Rack & Fork Holders
- Rubber Isolators
- Enclosed Inner Wheel Wells
- Tailboard Mounted D-Rings (1 Pair)
- Flip Down Rear Outrigger Spades
- Rear Air & Electrical Hook-ups

## Optional Equipment

- 212" Two-Stage Under-frame  
"H-Beam" Front Outriggers
- 262" Three-Stage Under-frame  
"H-Beam" Front Outriggers\* (1140 Only)
- 224" RXP Front Outriggers\* (204 TriAxle)
- Additional Lift Forks & Attachments
- Dual 15K Turret Mtd Winches\* (N/A 1140 w/ RXP)
- 25K or 35K Belly Drag Winch (1135 Only)
- 35K winch upgrade (1135)
- 35K or 50K Belly Drag Winch (1140 Only)
- Load Sensing System
- Radio Proportional Illuminated Controls
- MMO Power Distribution System (2 Touch  
Screen Displays, 3 MVEC CANS) (std 1140)
- Right Hand Manual Controls
- 24", 30", 36", or 48" Tunnel Box
- Chain Rack for 36" or 48" Tunnel Box
- Tunnel Box Shelf Kit (Except 24")
- Tunnel Box Attachment Storage
- Coach LowRider (63.5"/165.5")
- Air Shift PTO
- Manual Override for PTO
- Outrigger Spade Attachments
- Tailboard Underlift Controls
- Chain & Strap Packages
- Tailboard D-Ring Package
- Rear Camera & Monitor (Dual)
- LED Boom Lights
- Work & Hook-Up Lighting
- Stainless & Aluminum Dress Up Kit
- Knee Boom Underlift
- Raptor® Remote Controls

\*Only available on the 1140

## Standard Boom Features

- 360° of Boom Rotation / 190°  
Each Direction
- Proportioning Power Boom  
Extension with Counter  
Balance Valve
- 12 Function Keypad (1135)
- MMO System (1140)
- Dual Control Stations
- Boom Elevation & Extension  
Holding Valve
- Boom Slide Pads
- Boom Angle Indicator
- Dual 2-Speed Winches
- Cable Tensioners & Winch Air  
Free Spool
- Hydraulic Front Outriggers
- Hydraulic Rear Outriggers  
(176"-1130 / 220" - 1140)
- Air Activated House Lock,  
Secures Boom in Rear or  
Forward Position for Transport
- House Lock Indicator & Window
- Hydraulic Pump
- 360° Sheave Heads
- Hydraulic Pressure Gauge  
(Driver Side)
- "D" Rings Mounted on Each Stage
- Aluminum Tubular Pylon

## Standard Underlift Features

- 8 Function Wireless Remote
- Power Elevation & Extension
- Power Tilt & Hydraulic Fold
- 3-Stage Design
- Fabricated Low Profile 70°  
Pivoting Crossbar
- 2 Piece Pivot Pin
- Upper/Lower Thrust Washer
- Low Profile Fork Holders
- 9 Pairs of Cast Steel Forks
- 1 Pair of Spring Lift Adapters
- 1 Pair of Hook Adapters
- Safety Chains In Tailboard

## Underlift Specifications

Fully Retracted - 54" . . . . .	55,000 lbs.
Fully Extended - 144" . . . . .	17,000 lbs.
Tilt Arc . . . . .	.20° +/-
Tow Rating . . . . .	80,000 lbs.

## Boom Specifications

Maximum Angle . . . . .	60°
Boom Rotation (From Stowed Position) . . . . .	190° CW & CCW

### 1135

Retracted Rating (S.A.E.) . . . . .	70,000 lbs.
Extended Rating (S.A.E.) . . . . .	25,000 lbs.
Maximum Hook Height . . . . .	354"
Boom Extension . . . . .	130"

### 1140

Retracted Rating (S.A.E.) . . . . .	80,000 lbs.
Extended Rating (S.A.E.) . . . . .	20,000 lbs.
Maximum Hook Height . . . . .	427"
Boom Extension . . . . .	216"

## Winch & Cable Rating

### 1135

Rating (first layer, each winch) . . . . .	25,000 lbs.
Diameter and Length (each winch) . . . . .	5/8" x 200'
Type . . . . .	6 x 37 IWRC

### 1140 / 1135 (35K Winch Option)

Rating (first layer, each winch) . . . . .	35,000 lbs.
Diameter and Length (each winch) . . . . .	3/4" x 200'
Type . . . . .	6 x 37 IWRC

## Body Configurations

1135/1140 . . . . .	180" CB Tandem
1135/1140 . . . . .	180" CB Tri-Axle
1140 RXP . . . . .	204" Tri-Axle

## Chassis Recommendation

Front Axle . . . . .	20,000 lbs.
Rear Axle . . . . .	46,000 lbs.
Minimum C.B. . . . .	80"
Maximum Frame Height . . . . .	42"
After Frame from Center of Rear Axle . . . . .	40"
1135 R.B.M. . . . .	3,000,000 (in./lbs.)
1140 R.B.M. . . . .	3,500,000 (in./lbs.)
RXP R.B.M. . . . .	4,000,000 (in./lbs.)

All ratings are based on structural factors only, not vehicle capacities or capabilities. Specifications shown are approximations and may vary depending on chassis selected. Miller Industries Towing Equipment Inc. reserves the right to change or modify product and or specifications without notice or obligation. Some equipment shown is optional.



