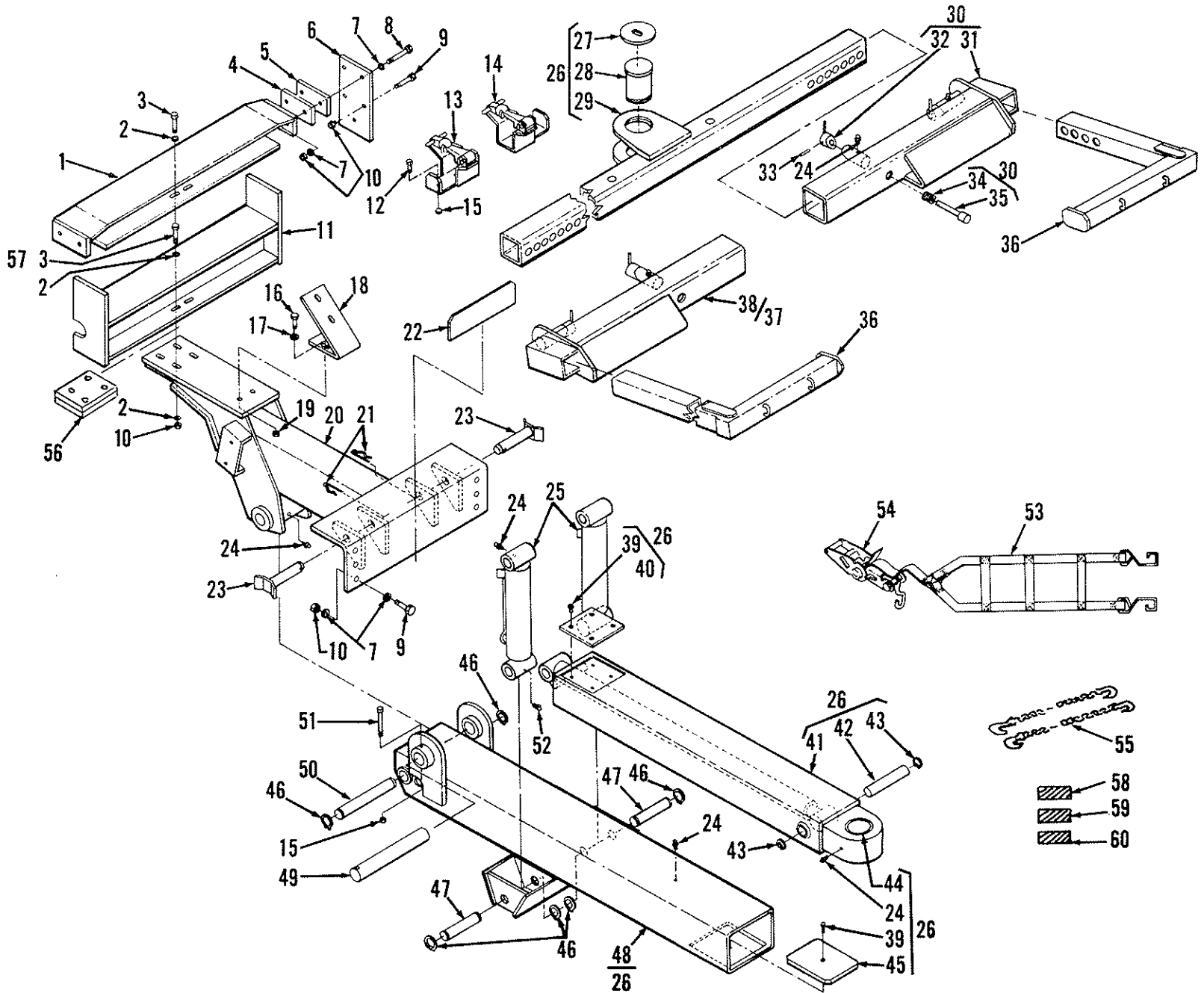


PARTS
FOR HOLMES PROSTAR SYSTEMS
(WHEEL LIFTS, WRECKERS AND BODIES)

This publication replaces and supersedes Publication 87-426, dated February 1987

Holmes International Inc.
Chattanooga, Tennessee

Figure 1. DFT-100 Wheel Lift Main Parts.



Parts for Holmes Pro Star Systems

Parts List for Figure 1.
DFT100 Wheel Lift Main Parts.

ID NO.	PART NO.	DESCRIPTION	ID NO.	PART NO.	DESCRIPTION
1	GX150	CROSSMEMBER, USED ON SONIC, WEST COAST, DELUXE AND 460 BODIES	30	GX123	SUPPORT ARM ASSY COMP, RIGHT
2	DE1368	FLATWASHER	31	GX125	SUPPORT ARM, WELDED, RIGHT
3	DE462	CAP SCREW, HEX HD, GRD 5, 1/2"-13 X 1-3/4"	32	GX137	CAM ASSY, PLUNGER PIN
4	GX143	BAR SPACER, (IF REQD)	33	AA85	ROLL PIN
5	GX152	BAR SPACER, (IF REQD)	34	5172	SPRING
6	CP411	BRACKET, WRECKER MOUNTING	35	AY33	PIN PLUNGER
7	BS166	HARDENED WASHER	36	GX223	SUPPORT ARM (REAR)
8	DE1855	CAP SCREW, HEX HD, GRD5, 1/2" -13 X 3"	37	GX124	SUPPORT ARM ASSY COMP, LEFT
9	DE464	CAP SCREW, HEX HD, GRD 5, 1/2 -13 X2"	38	GX126	SUPPORT ARM, WELDED, LEFT
10	DE1246	HEX NUT, SELF LOCKING, 1/2 -13	39	DE521	CAP SCREW, SOCKET HD, #10 - 24 X 1/2"
11	GX154	CROSSMEMBER (USED ON 456 BODY)	40	GX73	BEARING, SLIDE, INNER BOOM
12	DE454	CAP SCREW, HEX HD, GRD 5, 3/8" -16 X 1"	41	GX27	INNER BOOM ASSY, WELDED
13	GX217	STORAGE BRACKET, SUPPORT ARM, LEFT	42	GX48	PIN, EXTENSION CYLINDER ROD END
14	GX218	STORAGE BRACKET, SUPPORT ARM, RIGHT	43	EY718	SNAP RING, INTERNAL
15	DE1243	HEX NUT, SELF LOCKING, 3/8" -16	44	GR232	BUSHING
16	DE456	CAP SCREW, HEX HD, GRD 5, 3/8" -16 X 1 1/4"	45	GX72	BEARING, SLIDE, OUTER BOOM
17	DE1366	FLAT WASHER, 3/8"	46	CE1097	SNAP RING, EXTERNAL
18	GX225	PLATE, MTG, CONTROL BKT	47	GX108	PIN, LIFT CYLINDER ROD END
19	DE1243	HEX NUT, SELF LOCKING, 3/8" -16	48	GX105	OUTER BOOM ASSY, WELDED
20	GX230	FRAME SUPPORT	49	GX40	PIN, BOOM AND CROSSMEMBER — GX354
21	D092	CLIP, HITCH PIN	50	GX50	PIN, CYLINDER BASE END
22	GX234	PLATE, TAILGATE FILLER (USED ON 456 BODY)	51	DE489	CAP SCREW, HEX HD, GRD5, 3/8" -16 X 3"
23	GX164	PIN ASSY, LIFT CYLINDER BASE	52	EE165	GREASE FTG, 90 DEG
24	4709	GREASE FITTING, STRAIGHT	53	GL136	STRAP ASSY, WHEEL
25	GX33	LIFT CYLINDER — GX 235 SEAL KIT	54	GL137	RATCHET BINDER ASSY, COMPLETE
26	GX106	INNER AND OUTER BOOM ASSY COMPLETE	55	GR406	SAFETY CHAIN ASSY
27	GX118	PLATE, SWIVEL PIN RETAINER	56	GX337	SPACER, SUPPORT FRAME (460 BODY)
28	GX46	PIN, CARRIAGE SWIVEL	57	DE1842	CAP SCREW, HEX HD, GRD5, 1/2" - 13 X 2-3/4" (460 BODY)
29	GX13	CROSS TUBE	58	GR329	DECAL, SAFETY CHAINS
			59	GR156	DECAL, CAUTION(OUTER BOOM)
			60	SS564	DECAL, WARNING(BODY SIDES)

6" RUBBER HOLD DOWN STRAP GX221

NOTES

Section VII - SCHEMATICS

801 HYDRAULIC SCHEMATIC

Blank lined area for notes.