



## OWNER'S MANUAL

# 10 SERIES ALUMINUM & STEEL CARRIERS

### INSTALLATION, OPERATION, MAINTENANCE & PARTS

**NOTE: MANUAL** including SPECIFICATIONS, subject to change without notice  
All ratings specified are based on structural factors only,  
not vehicle capacities or capabilities.



8503 Hilltop Drive  
Ooltewah, Tennessee 37363  
Phone (423) 238-7227 • FAX (423) 238-7237

FORM NO. 9121921  
12/05  
PRICE \$25.00

## LIMITED WARRANTY

VULCAN warrants to the original purchaser that each new VULCAN Carrier will be free from defects in material and workmanship for a period of one (1) year from the date of purchase. The purchaser must promptly notify VULCAN in writing of any failure in material or workmanship. In no event shall such notification be received by VULCAN later than thirteen (13) months from date of delivery.

The obligation under this warranty, statutory or otherwise, is limited to the repair or replacement at our factory, or at a point designated by us, of such part or parts as shall appear to us upon inspection to be defective in material or workmanship. New or remanufactured parts will be used for any replacement.

This warranty does not obligate VULCAN to bear the cost of labor or transportation charges in connection with the replacement or repair of any parts found to be defective, nor shall it apply to a product upon which repairs or alterations have been made unless authorized by us.

VULCAN shall in no event be liable for any incidental or consequential damages or contingent arising out of the failure of any parts or products to operate properly. NO IMPLIED, EXPRESS, OR STATUTORY WARRANTY OTHER THAN STATED HEREIN IS MADE OR AUTHORIZED TO BE MADE BY OR FOR US, INCLUDING, BUT NOT LIMITED TO, THE IMPLIED WARRANTIES OF MERCHANTABILITY AND FITNESS FOR A PARTICULAR PURPOSE.

VULCAN makes no warranty, express or implied, as to finished products manufactured or supplied by another manufacturer or supplier by VULCAN to purchaser, including, but not limited to, any vehicle to which a VULCAN product may be affixed or accessories or wire rope (cable), and expressly disclaims any implied warranties of merchantability or fitness for a particular purpose as to such equipment or products. This language shall in no way affect or diminish the rights of purchaser to rely on such warranties as are extended by such manufacturers or suppliers.

VULCAN, whose policy is one of continuous improvement, reserves the right to improve its product through changes in design or materials as it may deem desirable without being obligated to incorporate such changes in products of prior manufacture.

IT IS EXPRESSLY UNDERSTOOD THAT THERE IS NO IMPLIED WARRANTY THAT VULCAN CARRIERS SHALL BE FIT FOR THE PURPOSE OF LIFTING OR MOVING PERSONS OR OTHER IMPROPER USE. THIS WARRANTY IS NOT TRANSFERABLE.



8503 Hilltop Drive  
Ooltewah, Tennessee 37363  
Telephone (423) 238-4171

**SERIAL NUMBER**

--

## Section VI - PARTS

This Section is provided by the manufacturer for the purpose of ordering any component part of the **10 Series Car Carrier** that may be required when part replacement is necessary. Be certain to use only original equipment replacement parts for warranty purposes as well as for keeping your **10 Series Car Carrier** in its original state and optimum operating capacities.

When ordering replacement or spare parts be sure to provide the following information to your carrier manufacturer authorized representative.

1. **Manual Number & Date of Publication**
2. **Manual Page Number**
3. **Page Title**
4. **Reference Number of Part Desired**
5. **Part Number**
6. **Part Description**
7. **Quantity of Part Desired**

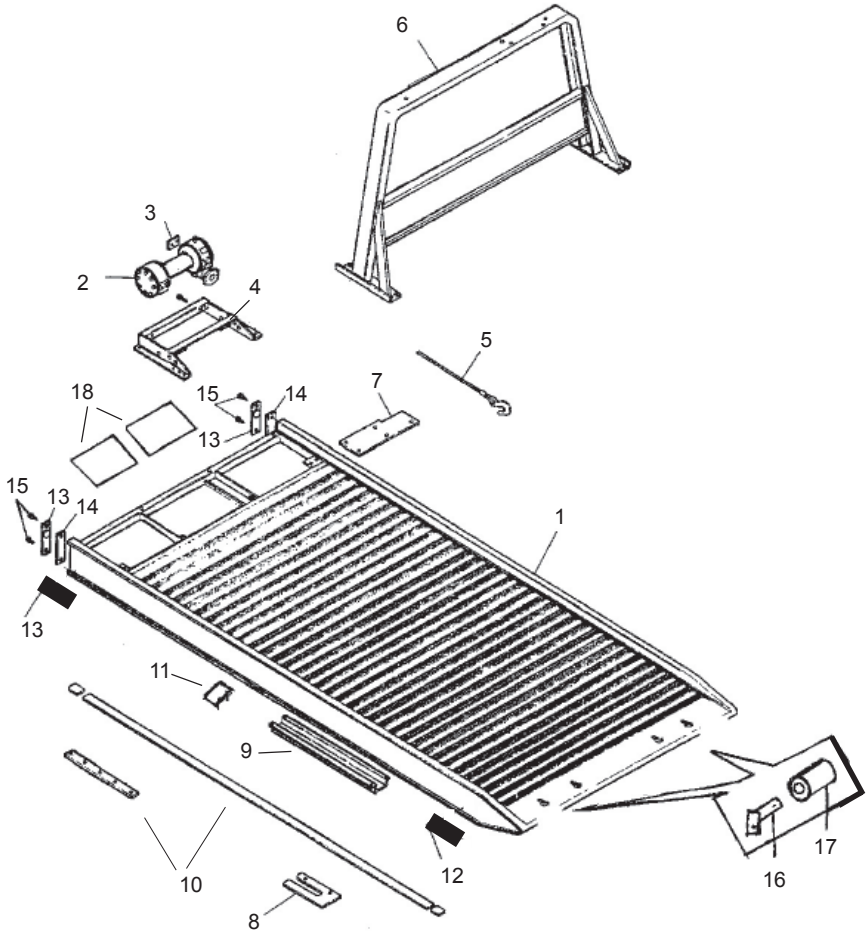
Providing this information will help ensure that the correct parts will be delivered to you in an expedient manner without delay. Should additional information be required for repair or replacement of certain components, contact **Miller Industries, Hermitage, PA, Phone: 724-981-3328, FAX 724-981-5260.**

The Manufacturer reserves the right, without notice or obligation, to improve or modify their products, which may change the specifications, models and feature availability.

# Section VI - PARTS

## ALUMINUM BED ASSEMBLY

### FULL SIDE



# Section VI - PARTS

## ALUMINUM BED ASSEMBLY

### FULL SIDE

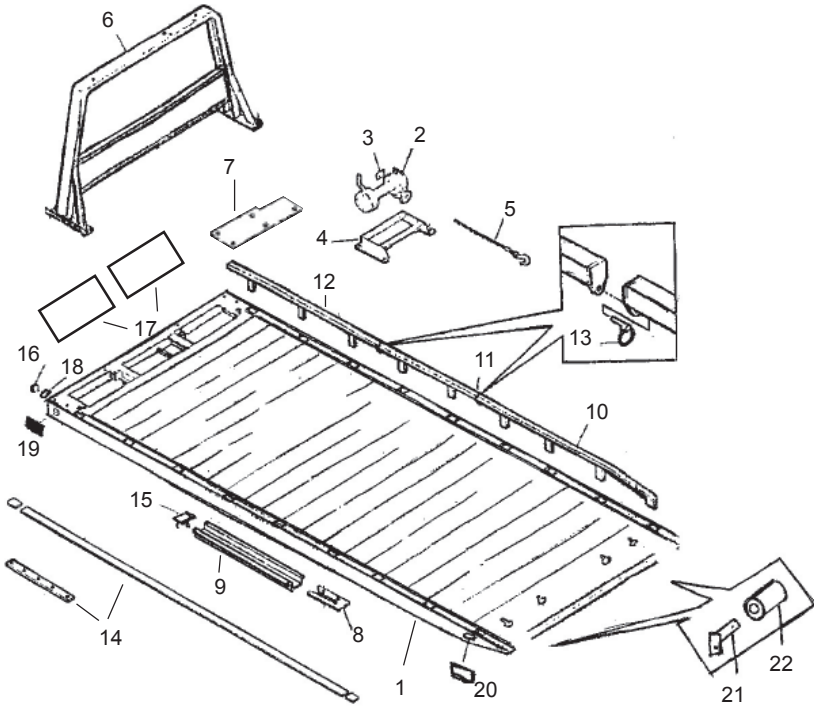
REF. NO.	NO. REQ'D	PART NUMBER	DESCRIPTION
1	1	*	CARRIER BED WELDMENT
2	1	0300250	WINCH - 4 TON WORM
	1	0303273	WINCH - 4 TON PLANETARY - OPTION
3	2	0701172	SPACER, WINCH BRACKET
4	1	0801482	WINCH FRAME - 4 TON WORM
	1	0805272	WINCH FRAME - 4 TON PLANETARY
5	1	0301669	WINCH CABLE ASSEMBLY
6	1	*	CAB PROTECTOR WELDMENT - SPECIFY CHASSIS
7	1	0703203	COVER PLATE
8	1	0708913	ANTI-TILT PLATE
9	2	0720283	HOSE TRAY - 19'
	2	0710777	HOSE TRAY - 21'
10	1	0905059	BEARING PAD KIT - 17' THRU 19'
	1	0905060	BEARING PAD KIT - 21' THRU 22'2
		*	BEARING PAD KIT
11	1	0805207	HOSE CLAMP WELDMENT - 17'6, 18'2 ONLY
12	2	LT0119	MARKER LIGHT, RED
13	4	LT0118	MARKER LIGHT, AMBER
14	2	0720025	BED FILLER PLATE
15	12	0403006	10-24 X 5/8" BHSCS SS
16	2	0806251	ROLLER PIN WELDMENT(OPTION)
17	2	0721483	ROLLER (OPTION)
18	2	0306054	TRAY MAT

\* CONTACT DISTRIBUTOR FOR ADDITIONAL INFORMATION

# Section VI - PARTS

## ALUMINUM BED ASSEMBLY

### REMOVABLE RAIL



# Section VI - PARTS

## ALUMINUM BED ASSEMBLY

### REMOVABLE RAIL

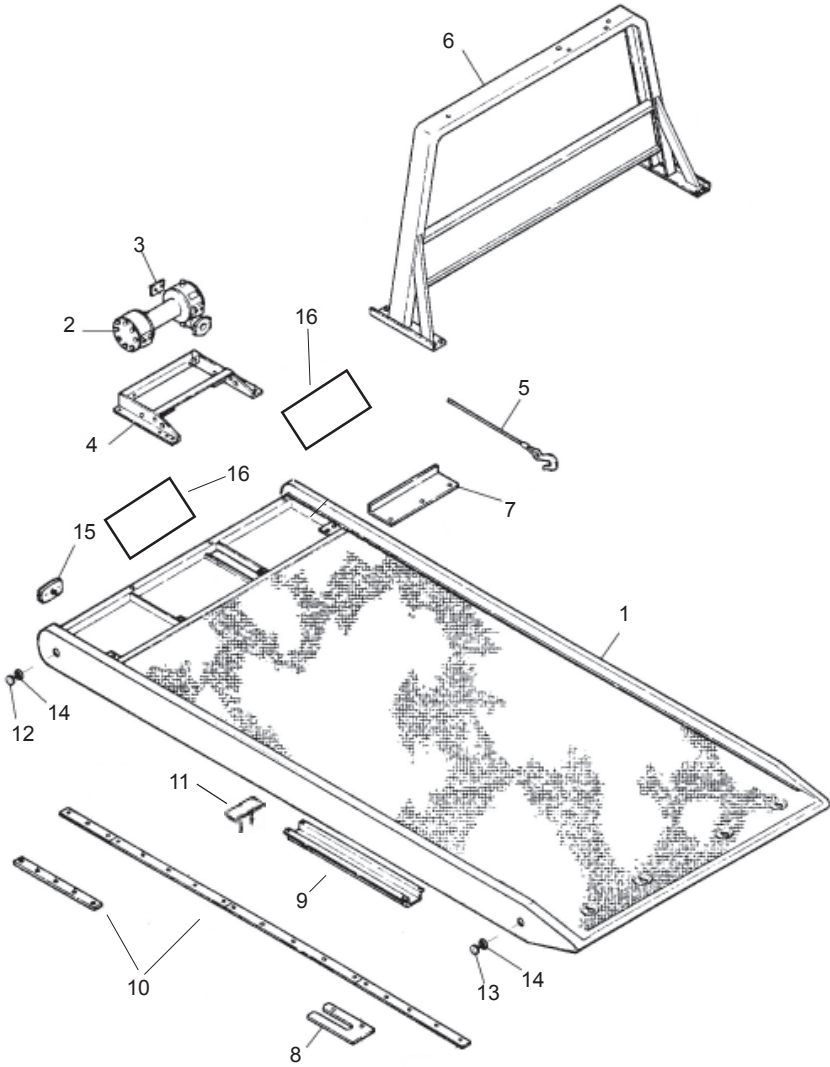
REF. NO.	NO. REQ'D	PART NUMBER	DESCRIPTION
1	1	*	CARRIER BED WELDMENT
2	1	0300250	WINCH - 4 TON WORM
	1	0303273	WINCH - 4 TON PLANETARY - OPTION
3	2	0701172	SPACER, WINCH BRACKET
4	1	0801482	WINCH FRAME - 4 TON WORM
	1	0805272	WINCH FRAME - 4 TON PLANETARY
5	1	0301669	WINCH CABLE ASSEMBLY
6	1	*	CAB PROTECTOR WELDMENT - SPECIFY CHASSIS
7	1	0703203	COVER PLATE
8	1	0708913	ANTI-TILT PLATE
9	2	0720283	HOSE TRAY - 19'
	2	0710777	HOSE TRAY - 21'
10	2	0805378	REAR REMOVABLE RAIL - STEEL (19' THRU 21'6)
11	2	0805376	MID REMOVABLE RAIL - STEEL (19' THRU 21'6)
12	2	*	FRONT REMOVABLE RAIL - STEEL
13	4	0306070	LYNCH PIN
14	1	0905059	BEARING PAD KIT - 17' THRU 19'
	1	0905060	BEARING PAD KIT - 21' THRU 22'2
		*	BEARING PAD KIT
15	1	0805207	HOSE CLAMP WELDMENT - 17'6, 18'2 ONLY
16	2	0301742	MARKER LIGHT, AMBER (10205Y)
17	2	0306054	TRAY MATS
18	4	0301740	GROMMET, ROUND RUBBER
19	2	GP132	MARKER LIGHT, AMBER (RECT)
20	2	GP131	MARKER LIGHT, RED (RECT)
21	2	0806251	ROLLER PIN WELDMENT (OPTION)
22	2	0721483	ROLLER (OPTION)

\* CONTACT DISTRIBUTOR FOR ADDITIONAL INFORMATION

# Section VI - PARTS

## STEEL BED ASSEMBLY

### TUBE SIDE





# Section VI - PARTS

## STEEL BED ASSEMBLY

### TUBE SIDE

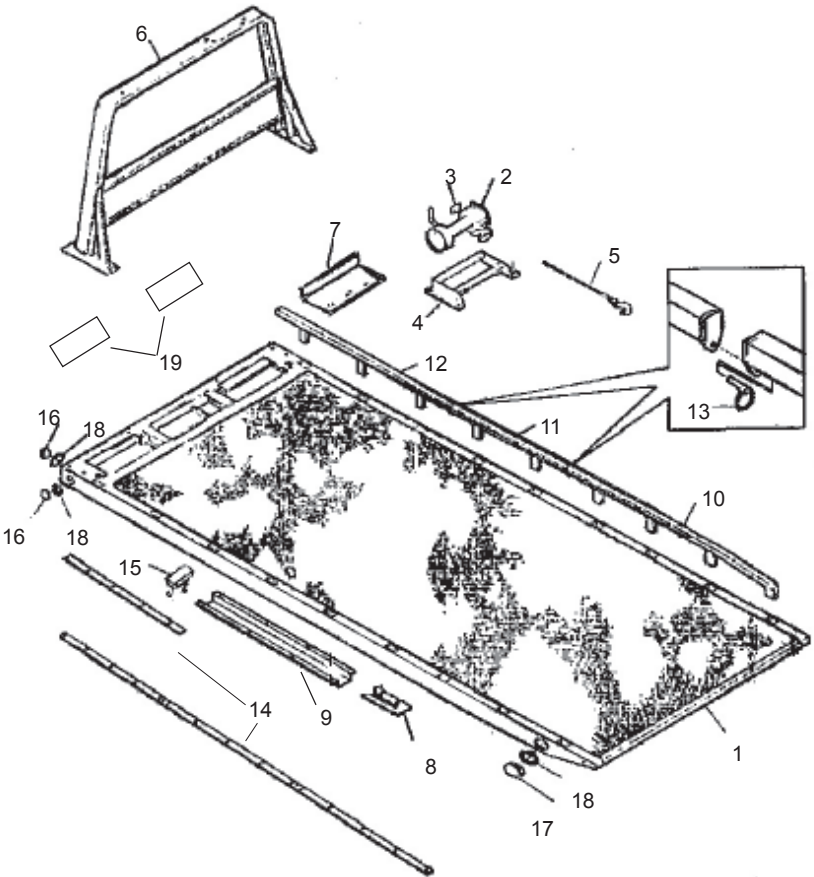
REF. NO.	NO. REQ'D	PART NUMBER	DESCRIPTION
1	1	*	CARRIER BED WELDMENT
2	1	0300250	4 TON WINCH ASSEMBLY
		0303273	4 TON PLANETARY WINCH ASSEMBLY-OPTION
3	2	0701172	SPACER, WINCH BRACKET
4	1	0801482	WINCH FRAME - 4 TON WORM
	1	0805272	WINCH FRAME - 4 TON PLANETARY
5	1	0301669	WINCH CABLE ASSEMBLY
6	1	*	CAB PROTECTOR WELDMENT -SPECIFY CHASSIS
7	1	0303385	JUNCTION BOX
8	1	0708913	ANTI-TILT PLATE
9	2	0720283	HOSE TRAY - 19'
	2	0710777	HOSE TRAY - 21'
10	1	0905043	BEARING PAD KIT - 19'
	1	0905383	BEARING PAD KIT - 21'
		*	BEARING PAD KIT
11	1	0805207	HOSE CLAMP WELDMENT - 17'6. 18'2 ONLY
12	2	0301742	MARKER LIGHT, AMBER (10205Y)
13	2	0301741	MARKER LIGHT, RED (10205R)
14	4	0301740	GROMMET, ROUND RUBBER
15	2	GP132	MARKER LIGHT, AMBER (RECT.)
16	2	0306054	STORAGE TRAY MAT - ALL STEEL BODIES

\* CONTACT DISTRIBUTOR FOR ADDITIONAL INFORMATION

# Section VI - PARTS

## STEEL BED ASSEMBLY

### REMOVABLE RAIL



# Section VI - PARTS

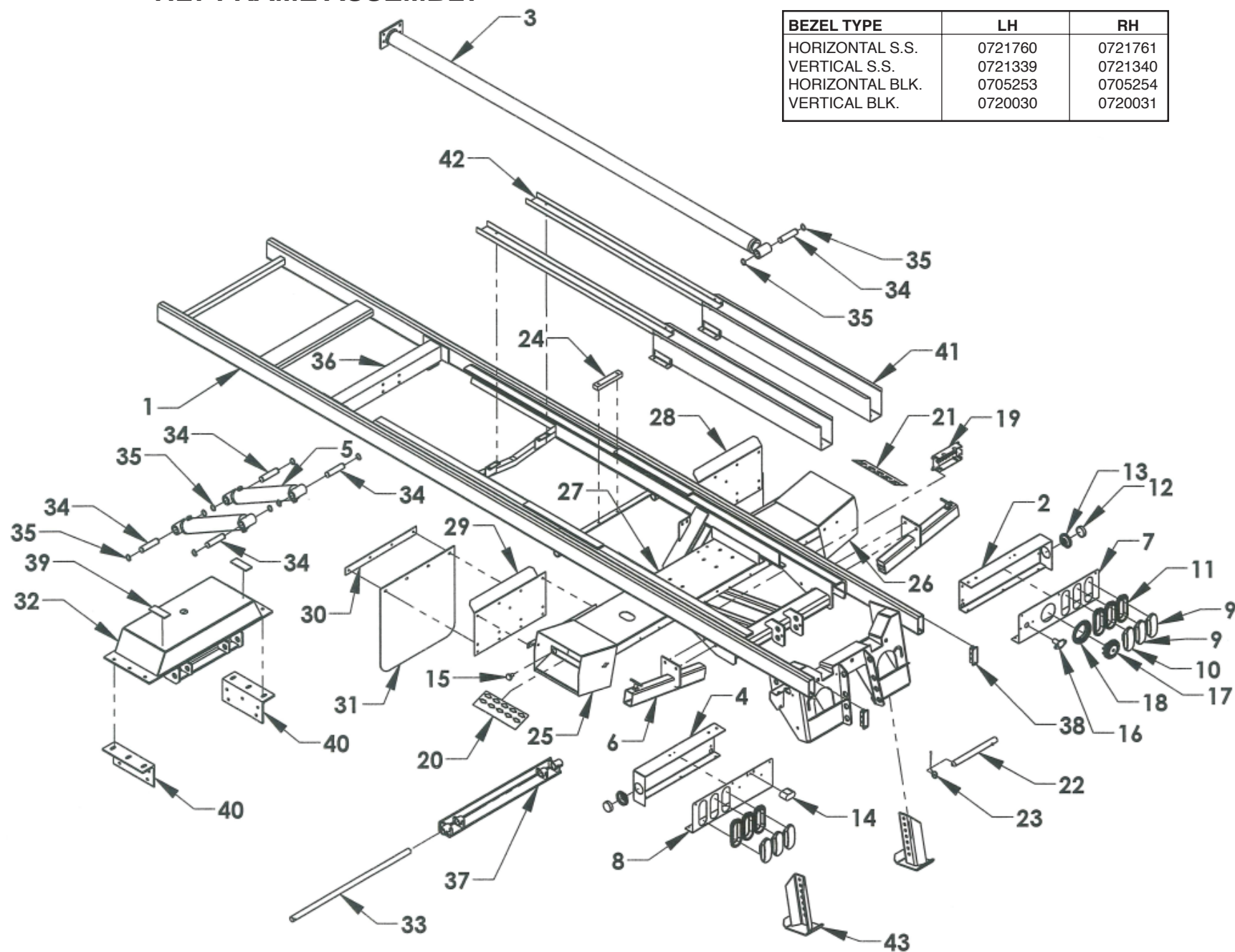
## STEEL BED ASSEMBLY REMOVABLE RAIL

REF. NO.	NO. REQ'D	PART NUMBER	DESCRIPTION
1	1	*	CARRIER BED WELDMENT
2	1	0300250	4 TON WINCH ASSEMBLY
		0303273	4 TON PLANETARY WINCH -OPTION
3	2	0701172	SPACER, WINCH BRACKET
4	1	0801482	WINCH FRAME - 4 TON WORM
		0805272	WINCH FRAME - 4 TON PLANETARY
5	1	0301669	WINCH CABLE ASSEMBLY
6	1	*	CAB PROTECTOR WELDMENT -SPECIFY CHASSIS
7	1	0303385	JUNCTION BOX
8	1	0708913	ANTI-TILT PLATE
9	2	0720283	HOSE TRAY - 19'
		0710777	HOSE TRAY - 21'
10	2	0802662	REAR REMOVABLE RAIL - STEEL (19' THRU 21'6)
11	2	0802661	MID REMOVABLE RAIL - STEEL (19' THRU 21'6)
12	2	*	FRONT REMOVABLE RAIL - STEEL
13	4	0306070	LYNCH PIN
14	1	0905043	BEARING PAD KIT - 19'
	1	0905383	BEARING PAD KIT - 21'
		*	BEARING PAD KIT
15	1	0805207	HOSE CLAMP WELDMENT - 17'6, 18'2 ONLY
16	4	0301742	MARKER LIGHT, AMBER (10205Y)
17	2	0301741	MARKER LIGHT, RED (10205R)
18	6	0301740	GROMMET, ROUND RUBBER
19	2	0306054	STORAGE TRAY MAT - ALL STEEL BODIES

# Section VI - PARTS

## TILT FRAME ASSEMBLY

BEZEL TYPE	LH	RH
HORIZONTAL S.S.	0721760	0721761
VERTICAL S.S.	0721339	0721340
HORIZONTAL BLK.	0705253	0705254
VERTICAL BLK.	0720030	0720031



# Section VI - PARTS

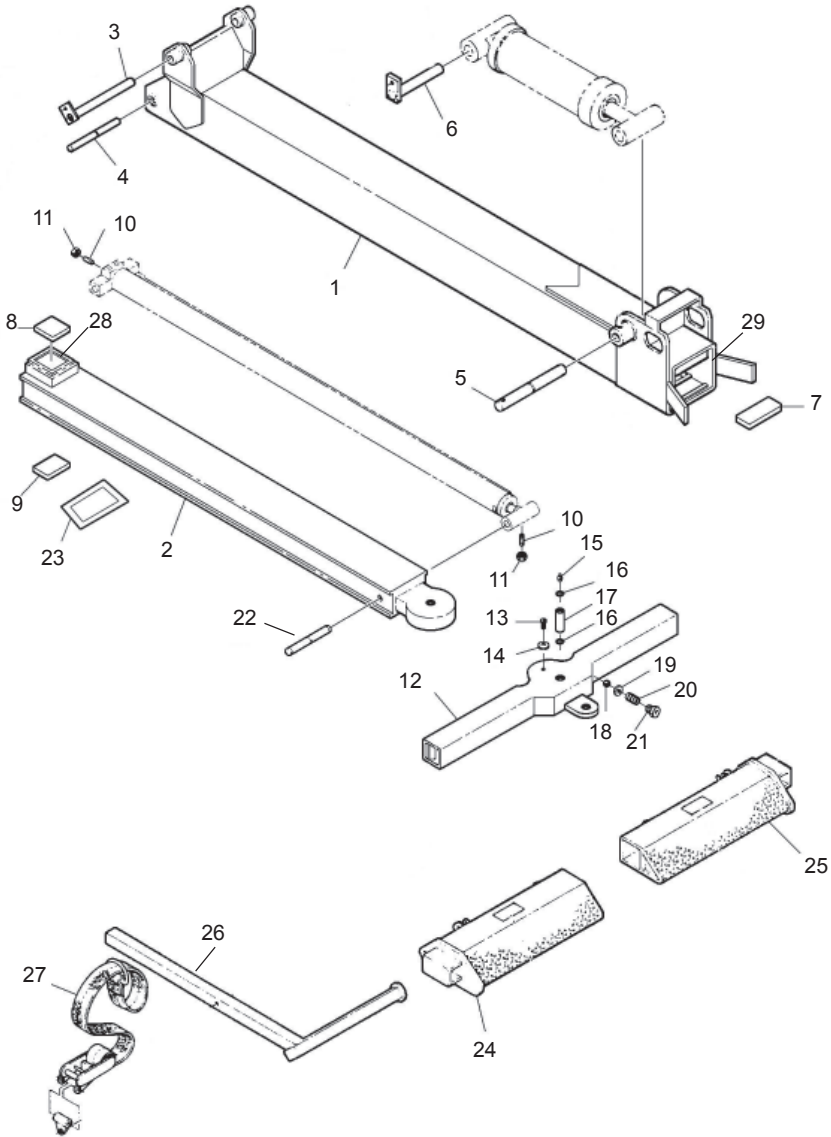
## TILT FRAME ASSEMBLY

REF. NO.	NO. REQ'D	PART NUMBER	DESCRIPTION
1	1	*	TILT FRAME - W/L
		*	TILT FRAME - D/S T/B WLR NWL
2	1	0809092	TAIL LIGHT HOUSING (RH)
3	1	0301970	BED EXTENSION CYLINDER
4	1	0809093	TAIL LIGHT HOUSING (LH)
5	1	0710783	TAIL LIGHT MTG. BRACKET (LH) ALL SERIES
6	2	0805022	L-ARM STORAGE TUBE BRACKET
7	1	0720031	PLATE, LIGHT MOUNTING (RH)
8	1	0720030	PLATE, LIGHT MOUNTING (LH)
9	4	0301390	STOP & TURN LIGHT
10	2	0302201	BACK-UP LIGHT
11	6	0304127	GROMMET
12	2	0301741	MARKER LIGHT, RED
13	2	0301740	MARKER LIGHT GROMMET
14	1	0300273	LICENSE PLATE ILLUMINATOR
15	2	0300867	CONTROL PANEL ILLUMINATOR
16	1	0301671	TOW LIGHT SOCKET
17	1	0306385	BACK-UP ALARM
18	1	0306386	BACK-UP ALARM GROMMET
19	1	0303385	JUNCTION BOX
20	1	0500425	CONTROL STA. DECAL, 5 SPOOL (LH)
21	1	0500426	CONTROL STA. DECAL, 5 SPOOL (RH)
22	1	0709867	SAFETY PIN (1-1/4" x 14" CR)
23	1	0905895	SAFETY PIN HDW. (0709867)
24	1	0306052	CYLINDER PAD (NOT SHOWN)
25	1	0801557	CONTROL BOX HOOD WELDMENT (LH)
26	1	0801558	CONTROL BOX HOOD WELDMENT (RH)
27	1	0720437	CONTROL BOX SUPP. CHANNEL (LONG)
	1	0909417	ITEMS #25, 26, 27 COMPLETE
28	1	0720080	MUD FLAP MTG. BRACKET, STD. LONG (RH)
29	1	0720081	MUD FLAP MTG. BRACKET, STD. LONG (LH)
30	2	0750340	BAR, MUD FLAP SUPPORTS (S.S.)
31	2	9033233	MUDFLAP 24" x 24"
32	1	0805093	OIL RESERVOIR
33	1	0704792	PIN, PIVOT (HINGE)
34	5	0702434	PIN, LIFT CYL & BED EXTENDED
35	10	0301642	SNAP RING 1-1/4"
36	1	0805008	CYLINDER MTG. CROSSMEMBER-TILT FRAME
37	1	0805018	TILT PIVOT WELDMENT-MTG FRAME
38	2	0308093	SUBFRAME END CAPS
39	2	0750319	STOP PAD
40	2	0709862	OIL RESERVOIR MTG. BRACKETS
41	2	0720905	REAR HOSE TRAY
42	2	0801397	FRONT HOSE TRAY
43	2	0809122	EXTENSION STAND (LONG) - WHEN NEEDED
	2	0802666	EXTENSION STAND (SHORT) - WHEN NEEDED

\* CONTACT DISTRIBUTOR FOR ADDITIONAL INFORMATION

# Section VI - PARTS

## WHEEL LIFT & WHEEL RETAINER ASSEMBLY (OPTION)



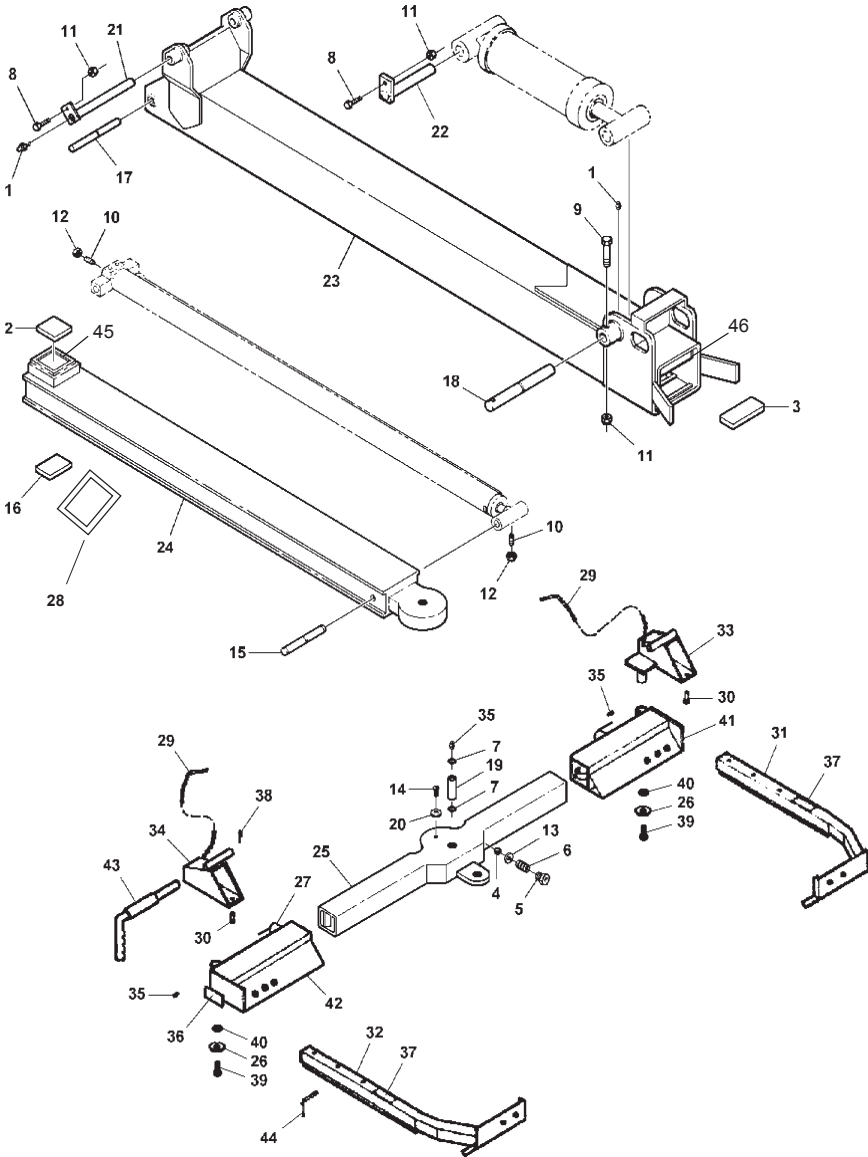
# Section VI - PARTS

## WHEEL LIFT & WHEEL RETAINER ASSEMBLY (OPTION)

REF. NO.	NO. REQ'D	PART NUMBER	DESCRIPTION
1	1	0805149	OUTER BOOM WELDMENT
2	1	0805245	INNER BOOM WELDMENT
3	1	0801009	PIVOT PIN (10S W/L)
4	1	0705524	W/L CYLINDER PIN, 3/4" x 8"
5	1	0705238	LOWER LIFT CYLINDER PIN, (W/L)
6	1	0801012	UPPER LIFT CYLINDER PIN (W/L)
7	1	0302183	BEARING PAD, NYLATRON (OUTER BOOM)
8	1	0301850	BEARING PAD, NYLATRON (INNER BOOM)
9	1	0750319	BEARING PAD (UHMW) 3/16 x 2-3/8 x 3
10	2	0400221	3/8-16 x 1" ALLEN HD SET SCREW Z
11	2	0400393	3/8-16 HEX JAM NUT Z
12	1	0808506	INNER CROSSBAR WELDMENT
13	1	0403004	3/8-16 x 3/4" BUTTON HEAD CAP SCREW
14	1	0720463	WASHER, PIVOT PIN RETAINER
15	1	0300113	GREASE FITTING, STRAIGHT
16	2	0308132	O-RING 1" ID x 1-1/4" OD x 1/8"
17	1	0720460	PIVOT PIN, W/L CROSSBAR
18	1	0308129	BALL, CHROME 1" (GRADE 16)
19	1	0721632	SPACER, CROSSBAR DETENT
20	1	0308131	SPRING, DIE
21	1	0308130	PIPE PLUG
22	1	0702131	PIVOT PIN (REAR)-EXTEND CYLINDER
23	1	0720357	ENCAPSULATING CAGE, INNER
24	1	0909498L	OUTER XTUBE ASSEMBLY (LH)
25	1	0909498R	OUTER XTUBE ASSEMBLY (RH)
26	2	0801332	L-ARM
27	2	0307096	STRAP, RATCHET PIVOT ASSEMBLY
28	1	0720060	ENCAPSULATING CAGE TOP
29	1	0750482	STINGER STOP BLOCK

# Section VI - PARTS

## WHEEL LIFT & WHEEL RETAINER ASSEMBLY





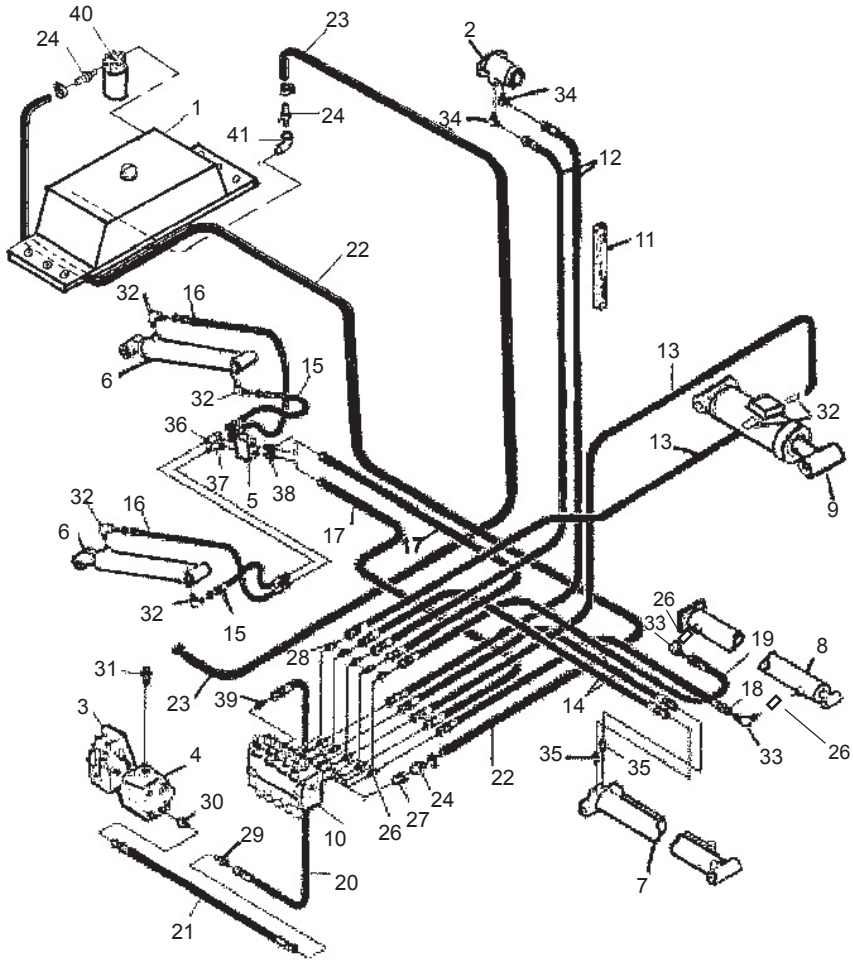
# Section VI - PARTS

## WHEEL LIFT & WHEEL RETAINER ASSEMBLY

REF. NO.	NO. REQ'D	PART NUMBER	DESCRIPTION
1	5	0300113	GREASE FITTING
2	1	0301850	BEARING PAD
3	1	0302183	BEARING PAD
4	1	0308129	DETENT BALL
5	1	0308130	PIPE PLUG
6	1	0308131	DETENT SPRING
7	2	0308132	"O" RING
8	2	0400148	SCREW, 3/8"-16 X 1-1/4" HEX HD CAP
9	1	0400150	SCREW, 3/8"-16 X 2-1/2" HEX HD CAP
10	2	0400221	SCREW, 3/8"-16 X 1" CUP POINT ALLEN HD
11	3	0400392	NUT, 3/8"-16 HEX NYLON
12	2	0400393	NUT, 3/8"-16 HEX JAM
13	1	0721632	WASHER, 3/8" FLAT
14	1	0403004	SCREW, 3/8"-16 X 3/4" BUTTON ALLEN HD
15	1	0702131	SHAFT, INNER TUBE CYLINDER
16	1	0750319	SLIDER, PAD
17	1	0705524	SHAFT, EXTEND CYLINDER
18	1	0705238	PIVOT PIN
19	1	0720460	PIN, CROSSBEAM PIVOT
20	1	0720463	WASHER, 1" O.D. X 3/8" I.D. FLAT
21	1	0801009	SHAFT, PIN ASSEMBLY, UPPER BOOM
22	1	0801012	SHAFT, LIFT CYLINDER
23	1	0805319	OUTER BOOM
24	1	0805245	INNER BOOM
25	1	0808506	INNER CROSSTUBE WELDMENT
26	2	8600404	WASHER, 11/16" I.D. X 2" O.D. FLAT
27	2	0306424	CAMLOCK
28	1	0720357	ENCAPSULATING CAGE
29	2	8602001	LOCK PIN WITH CHAIN
30	2	8700109	LOCK PIN, SCOOP
31	1	8700180	WHEEL RETAINER, RIGHT
32	1	8700190	WHEEL RETAINER, LEFT
33	1	8701500	SCOOP BRACKET, RIGHT
34	1	8701600	SCOOP BRACKET, LEFT
35	1	9012501	GREASE NIPPLE
36	2	9025068	REFLECTOR
37	2	9033198	DECAL, SAFETY CHAIN WARNING
38	2	9046310	ROLL PIN, 3/16" X 1-1/8"
39	2	9043950	SCREW, 5/8" NC X 1-1/2" HEX HD CAP
40	2	9045259	WASHER, 5/8" FLAT
41	1	8800900	WHEEL GRID, RIGHT
42	1	8800800	WHEEL GRID, LEFT
43	2	880411500	STOP PIN ASSEMBLY
44	2	890440003	LOCKING PIN
45	1	0720060	ENCAPSULATING CAGE TOP
46	1	0750482	STINGER STOP BAR

# Section VI - PARTS

## HYDRAULICS



# Section VI - PARTS

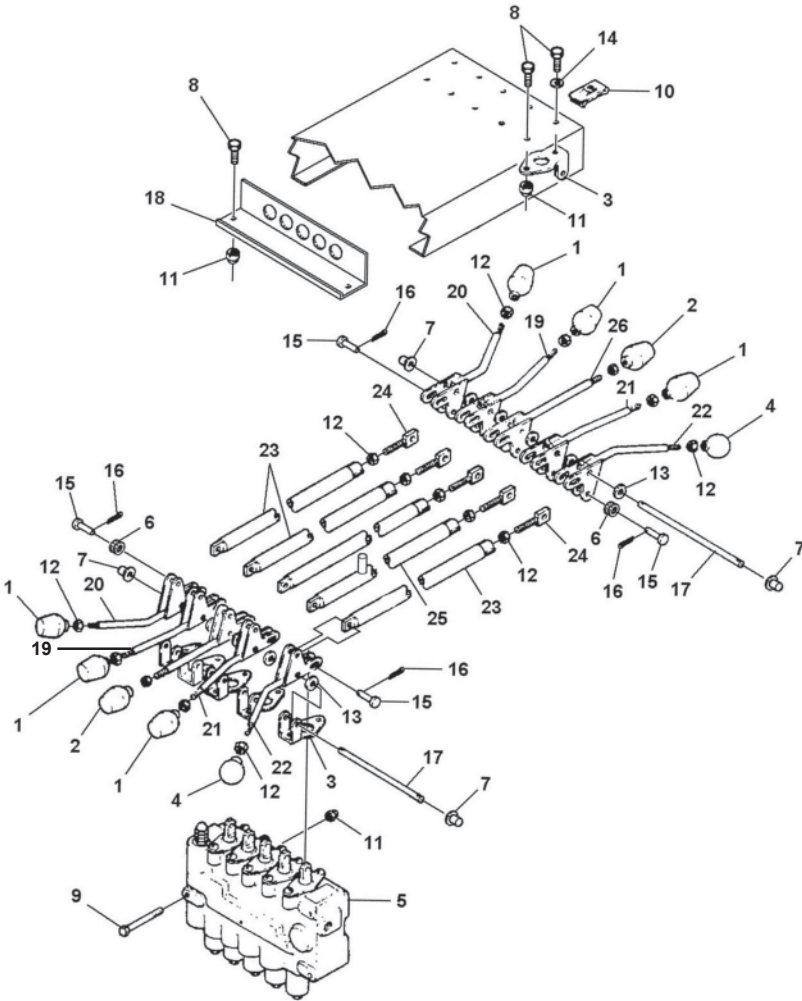
## HYDRAULICS

REF. NO.	NO. REQ'D	PART NUMBER	DESCRIPTION
1	1	0805093	OIL RESERVOIR
2	1	0306157	WINCH MOTOR, 4 TON
3	1	*	PTO
4	1	0306031	PUMP - 15 GPM
5	1	0301640	BED TILT CYLINDER LOCK VALVE
6	2	0302867	BED TILT CYLINDER
7	1	0302178	WHEEL LIFT EXTEND CYLINDER
8	1	0301970	BED EXTEND CYLINDER
9	1	0308372	WHEEL LIFT CYLINDER
10	1	0302179	5 SPOOL VALVE BODY
11	1	0306182	HEAT SHRINK, BLACK 2" x 72" LG. - 17'6, 18'2
12	1	*	WINCH HOSES
13	2	0301403	HOSE ASSEMBLY 86"
14	2	0301478	HOSE ASSEMBLY 60"
15	2	0301524	HOSE ASSEMBLY 14"
16	2	0301660	HOSE ASSEMBLY 21"
17	2	0301878	HOSE ASSEMBLY 137"
18	1	0306071	HOSE ASSEMBLY 65-1/2"
19	1	0301658	HOSE ASSEMBLY 128"
20	1	*	HOSE ASSEMBLY
21	1	*	HOSE ASSEMBLY
22	1	0704802	HOSE, RETURN 3/4" x 192"
23	1	0306080	HOSE, SUCTION 1" x 11'
24	3	0308296	LOCK ON STEM 3/4" MALE NPT
25	1	0300056	HYDRAULIC FITTING 1" HOSE BARB
26	4	0300041	HYDRAULIC FITTING 8MJ-8MB
27	1	0300065	HYDRAULIC FITTING 12FPX-12MB
28	8	0300044	HYDRAULIC FITTING 6MJ-8MB
29	1	0300865	HYDRAULIC COUPLING 8MJ-8MJ
30	1	0302757	HYDRAULIC FITTING 8MJ-16MB
31	1	0300492	HYDRAULIC FITTING 1" HOSE BARB (16MB)
32	6	0306143	HYDRAULIC FITTING 6MJ-6MB 90 DEG.
33	2	0302488	HYDRAULIC FITTING 8MJ-8FJX 90 DEG.
34	2	0301470	HYDRAULIC FITTING 6MJ-8MB 90 DEG.
35	2	0301522	HYDRAULIC FITTING 6MJ-6MB
36	1	0300206	HYDRAULIC FITTING 6MJ-6MBP BRANCH TEE
37	1	0301694	HYDRAULIC FITTING (ORIFICE TEE)
38	2	0301424	HYDRAULIC FITTING 6MJ-4MP
39	1	0300789	HYDRAULIC FITTING 8MJ-10MB
40	1	0308151	OIL FILTER ASSEMBLY
41	1	0300692	STREET ELBOW, 1"

\* CONTACT DISTRIBUTOR FOR ADDITIONAL INFORMATION

# Section VI - PARTS

## CONTROL & CROSSROD ASSEMBLY



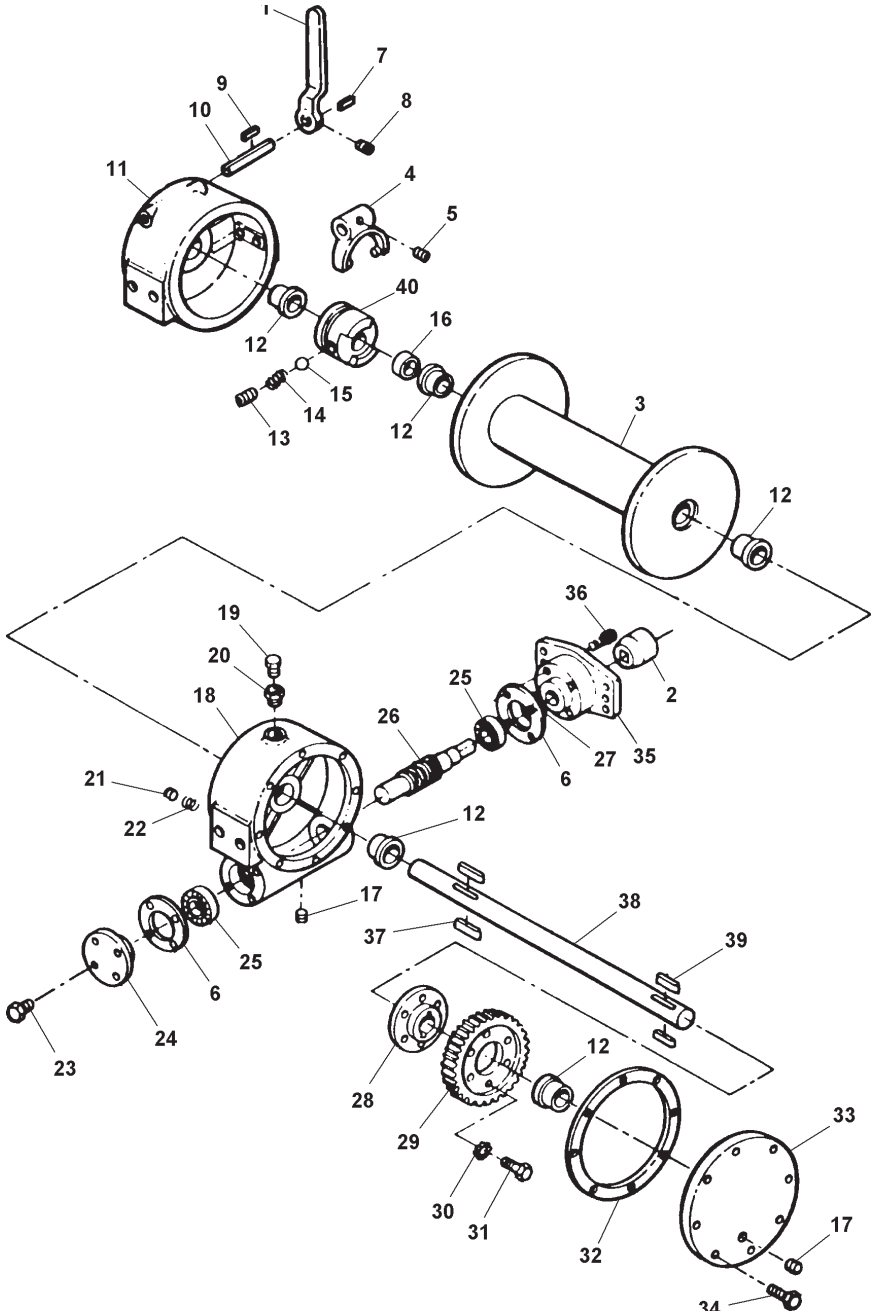
## Section VI - PARTS

### CONTROL & CROSSROD ASSEMBLY

REF. NO.	NO. REQ'D	PART NUMBER	DESCRIPTION
	1	6	0300341 KNOB, BLACK (FLAT)
2	2	0300834	KNOB, RED
3	10	0301638	BRACKET, CONTROL HANDLE
4	2	0301720	KNOB, BALL
5	1	0302179	5-SPOOL CONTROL VALVE
6	10	0306006	SPRING, ANTI-RATTLE
7	4	0306122	END CAP, CONTROL HANDLE ROD
8	12	0400121	3/8-16 x 3/4" HHCS GR5 Z
9	3	0400140	3/8-16 x 4" HHCS GR5 Z
10	5	0400243	3/8-16, J-NUT TINNEMAN
11	10	0400392	3/8-16 NYLON LOCK NUT Z
12	10	0400393	3/8-16 HEX JAM NUT Z
13	15	0400465	5/16" SAE FLAT WASHER Z
14	5	0400482	3/8" LOCK WASHER Z
15	10	0400532	5/16" x 1" CLEVIS PIN Z
16	10	0403067	BOWTIE - Z
17	2	0705242	ROD, CONT. HANDLE 5 SPOOL
18	1	0720456	UHMW ANGLE
19	2	0809135	CONTROL HANDLE (FWD. INNER) LONG
20	2	0809138	CONTROL HANDLE (FWD. OUTER) LONG
21	2	0809136	CONTROL HANDLE (REAR INNER) LONG
22	2	0809137	CONTROL HANDLE (REAR OUTER) LONG
23	4	0806111	CONTROL ROD WELDMENT
24	5	0800800	CONTROL ROD LINK
25	1	0806112	CONTROL ROD WELDMENT (ANTI-TILT)
26	2	0809134	CONTROL HANDLE WELDMENT (CTR) LONG

# Section VI - PARTS

## 4 TON HYDRAULIC WINCH



# Section VI - PARTS

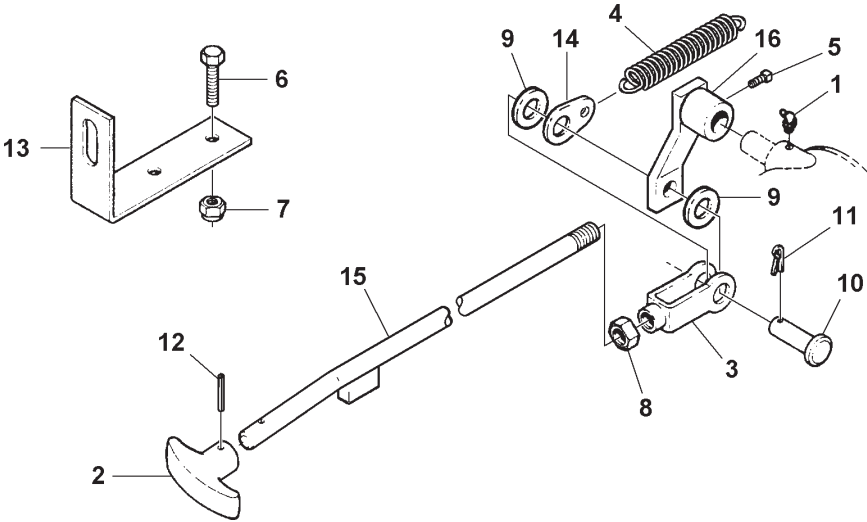
## 4 TON HYDRAULIC WINCH

REF. NO.	NO. REQ'D	PART NUMBER	DESCRIPTION
1	1	0300261	LEVER
2	1	0300290	COUPLING
3	1	0300381	DRUM
4	1	0300398	YOKE
5	1	0300399	SCREW
6	2	0300447	GASKET
7	1	0300448	KEY
8	1	0300449	SCREW
9	1	0300450	KEY
10	1	0300451	SHAFT
11	1	0300452	CLUTCH HOUSING
12	5	0300453	BUSHING
13	1	0300454	SCREW
14	1	0300455	SPRING
15	1	0300456	BALL
16	1	0300458	SPACER
17	2	0300459	PLUG
18	1	0300460	HOUSING
19	1	0300461	PLUG
20	1	0300462	REDUCER
21	1	0300463	DRAG BRAKE
22	1	0300464	SPRING
23	16	0300465	SCREW
24	1	0300466	CAP
25	2	0300467	BEARING
26	1	0300468	WORM
27	1	0300471	SEAL
28	1	0300472	HUB
29	1	0300473	GEAR
30	6	0300474	WASHER
31	6	0300475	SCREW
32	1	0300476	GASKET
33	1	0600477	COVER
34	4	0300569	SCREW
35	1	0300694	CAP ADAPTER
36	1	0300695	SCREW
37	2	--	KEY
38	1	--	SHAFT
39	2	--	KEY
40	1	--	CLUTCH
*	1	<b>0300250</b>	<b>4 TON WORM WINCH ASSEMBLY</b>

\* When ordering specify winch serial number.

## Section VI - PARTS

### WINCH CLUTCH CONTROL (4-6 TON WORM WINCH)

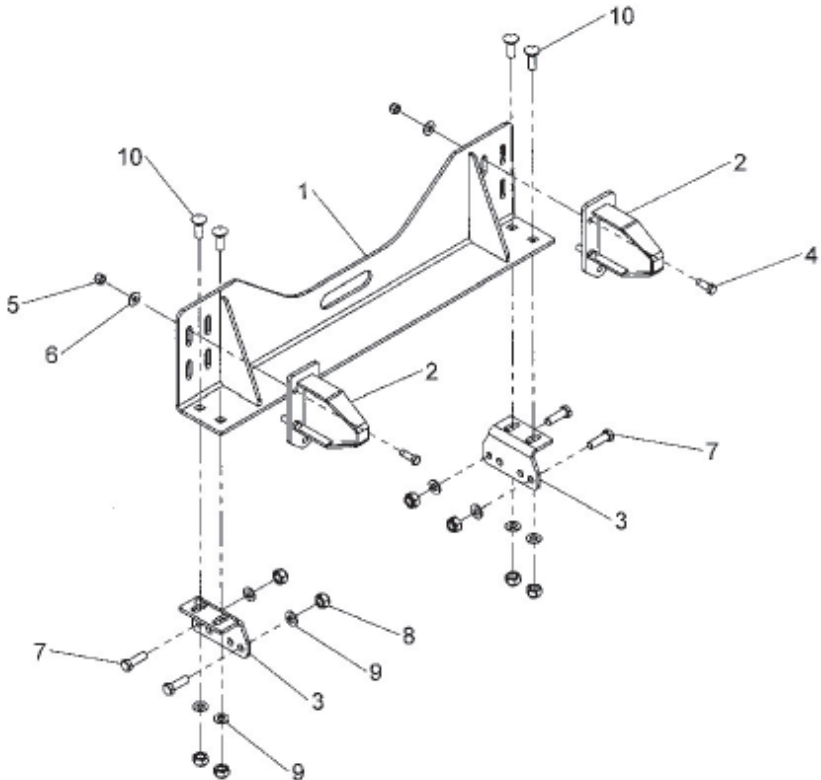


REF. NO.	NO. REQ'D	PART NUMBER	DESCRIPTION
1	1	0301397	GREASE FITTING, 90°
2	1	0301532	"T" HANDLE
3	1	0301588	ADJUSTING YOKE
4	1	0306015	SPRING COMPRESSION
5	1	0400116	SCREW, 5/16"-18 X 1/2" SQ HD SET
6	2	0400126	SCREW, 3/8"-16 X 1" HEX HD CAP
7	2	0400392	NUT, 3/8"-16 NYLOK
8	1	0400410	NUT, 1/2"-13 JAM
9	4	0400492	WASHER, 1/2" FLAT
10	1	0400537	PIN, 1/2" X 1-1/2" CLEVIS
11	1	0400546	PIN, 1/8" X 1-1/4" COTTER
12	2	0400560	PIN, 5/32" X 1" ROLL
13	1	0710918	MOUNTING ANGLE
14	1	0710919	SPRING HOLDER
15	1	0805170	CONTROL ROD
16	1	0805151	BELL CRANK
	1	<b>0905034</b>	<b>WINCH CLUTCH CONTROL ASSEMBLY</b>



# Section VI - PARTS

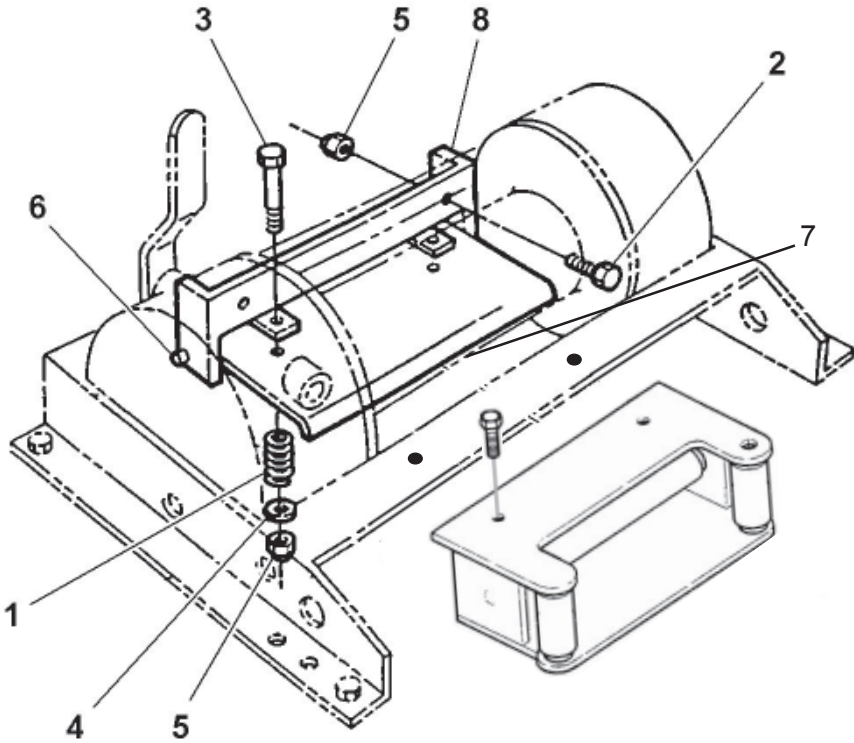
## BED LOCK ASSEMBLY



REF. NO.	NO. REQ'D	PART NUMBER	DESCRIPTION
1	1	0809181	BED LOCK WELDMENT
2	2	0809182	BED LOCK HOLD-DOWN
3	2	0809183	MOUNTING BRACKET
4	8	0400181	BOLT, 1/2-13 x 1-1/2 HHCS ZP GRADE 5
5	8	0400408	NYLON LOCK NUT, 1/2-13 ZP
6	8	0403040	FLAT WASHER, 1/2 ZP
7	4	0400260	BOLT, HHCS 5/8-11 x 2 ZP GRADE 5
8	8	0400421	NUT, 5/8-11 NYLON LOCK ZP
9	8	0400505	FLAT WASHER 5/8 ZP
10	4	0403068	CARRIAGE BOLT 5/8-11 x 1-3/4 ZP GRADE 5
	1	<b>0905078</b>	<b>BED LOCK ASSEMBLY</b>

## Section VI - PARTS

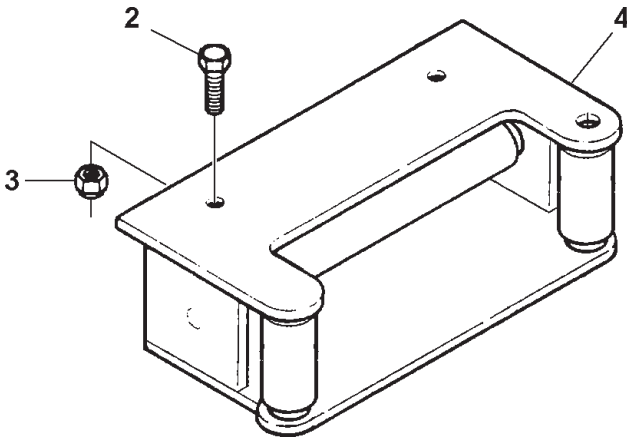
### CABLE TENSIONER ASSEMBLY (STANDARD 4-TON WINCH)



REF. NO.	NO. REQ'D	PART NUMBER	DESCRIPTION
1	2	0301729	TENSIONING SPRING
2	2	0400126	SCREW, 3/8"-16 X 1" HEX HD CAP
3	2	0400130	SCREW, 3/8"-16 X 3-1/2" HEX HD CAP
4	2	0400480	WASHER, 3/8" FLAT
5	4	0400392	NUT, 3/8"-16 HEX NYLOK
6	2	0400554	ROLL PIN, 3/8" X 1"
7	1	0800908	TENSIONING PLATE
8	1	0800909	CABLE TENSIONER BRACKET

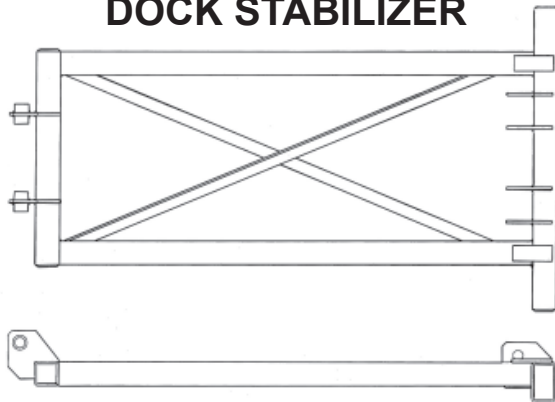
## Section VI - PARTS (cont'd)

### CABLE ROLLER ASSEMBLY



REF. NO.	NO. REQ'D	PART NUMBER	DESCRIPTION
1	--	0900892	CABLE ROLLER ASSEMBLY
2	2	0400177	SCREW, 1/2"-13 X 1-1/4" HEX HD
3	2	0400408	NUT, 1/2"-13 NYLOK
4	1	0805037	CABLE ROLLER GUIDE WELDMENT

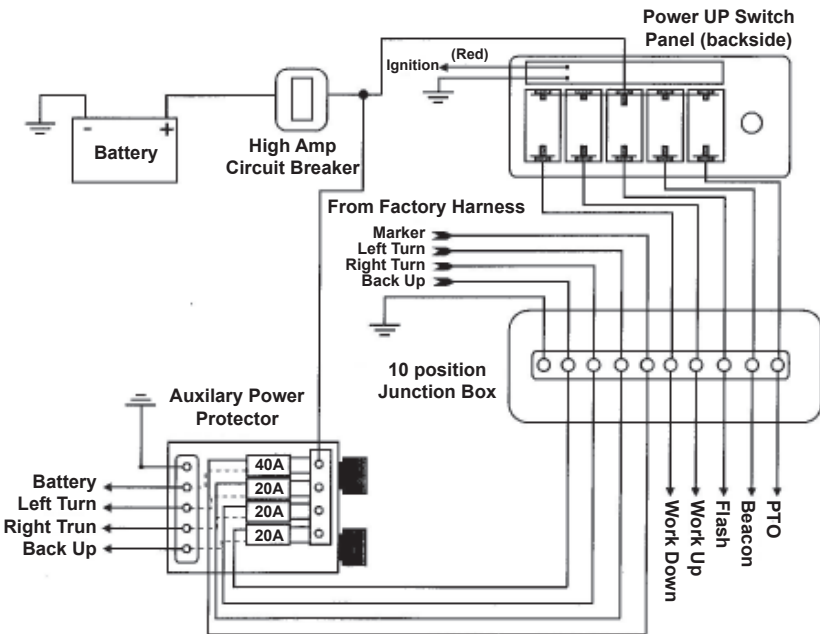
### DOCK STABILIZER



REF. NO.	PART NUMBER	DESCRIPTION
1	0805273	DOCK STABILIZER WELDMENT

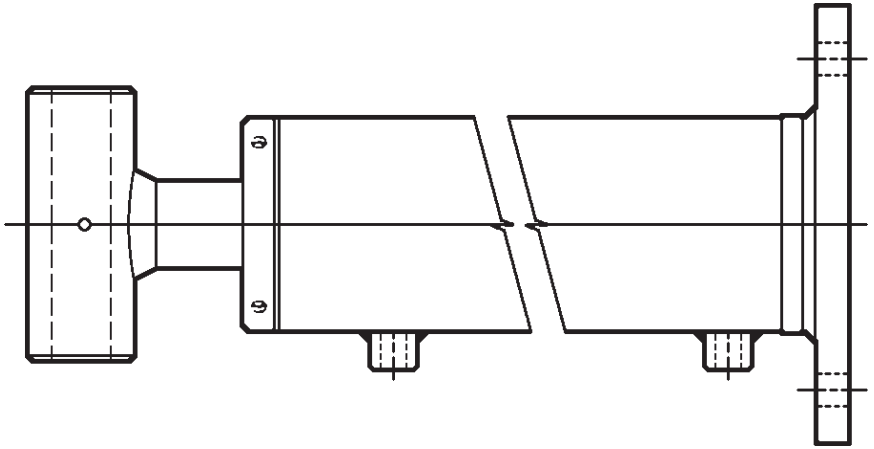
# Section VI - PARTS (cont'd)

## OPTIONAL DASHBOARD PANEL

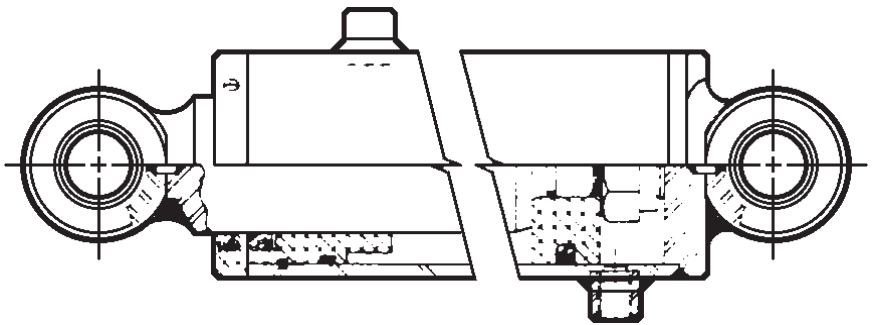


# Section VI - PARTS

## HYDRAULIC CYLINDERS



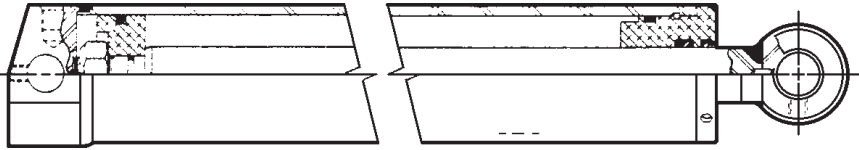
REF. NO.	NO. REQ'D	PART NUMBER	DESCRIPTION
1	1	0301970	CYLINDER, BED EXTEND
2	--	0308385	SEAL KIT, BED EXTEND



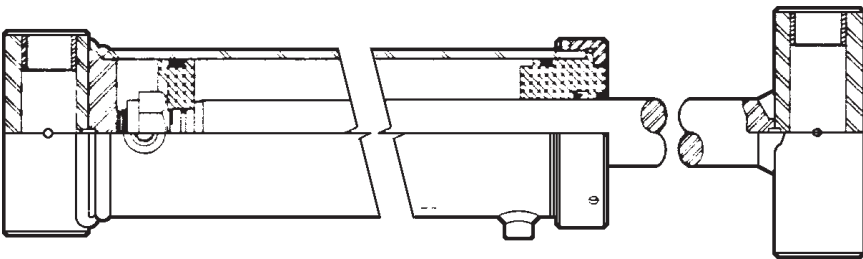
REF. NO.	NO. REQ'D	PART NUMBER	DESCRIPTION
1	2	0302867	CYLINDER, BED TILT
2	--	0308385	SEAL KIT, BED TILT

# Section VI - PARTS

## HYDRAULIC CYLINDERS



REF. NO.	NO. REQ'D	PART NUMBER	DESCRIPTION
1	1	0302178	CYLINDER, WHEEL LIFT EXTEND
2	--	0308388	SEAL KIT, WHEEL LIFT EXTEND



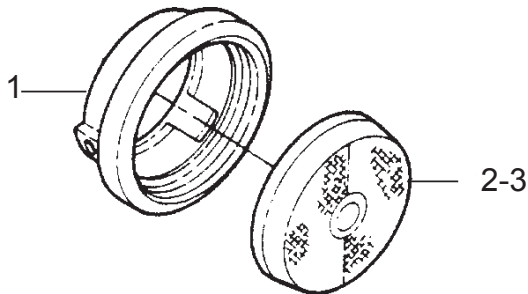
REF. NO.	NO. REQ'D	PART NUMBER	DESCRIPTION
1	1	0308372	CYLINDER, WHEEL LIFT UP/DOWN
2	--	0308389	SEAL KIT, WHEEL LIFT UP/DOWN

# Section VI - PARTS

## LIGHT KIT



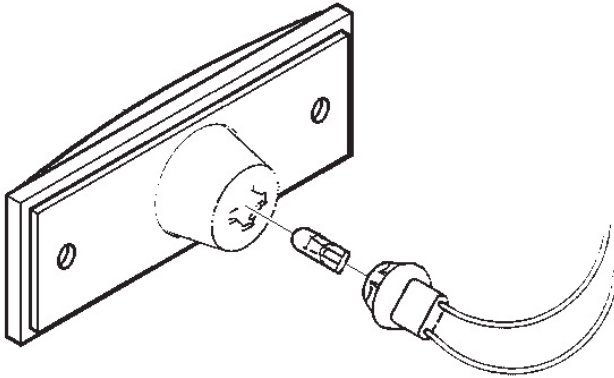
REF. NO.	PART NUMBER	DESCRIPTION
1	0301390	LIGHT, SEALED RED (STOP & TURN)
2	0302201	LIGHT, SEALED WHITE (BACK-UP)
3	0304127	TAIL LIGHT GROMMET



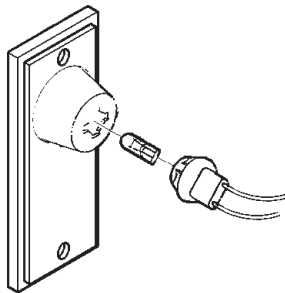
REF. NO.	PART NUMBER	DESCRIPTION
1	0301740	TAIL LIGHT GROMMET
2	0301741	LIGHT, SEALED RED (MARKER)
3	0301742	LIGHT, SEALED AMBER (MARKER)

# Section VI - PARTS

## LIGHT KIT



REF. NO.	PART NUMBER	DESCRIPTION
1	GP132 GP131	LIGHT, AMBER MARKER, RECTANGULAR (COMPLETE) LIGHT, RED MARKER, RECTANGULAR (COMPLETE)

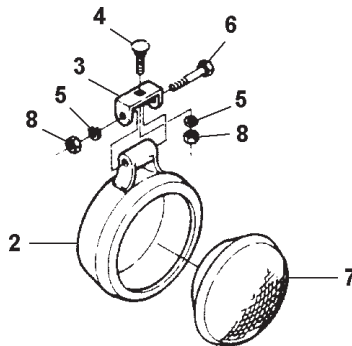


REF. NO.	PART NUMBER	DESCRIPTION
1	LT0118 LT0119	LIGHT, AMBER MARKER, RECTANGULAR (COMPLETE) LIGHT, RED MARKER, RECTANGULAR (COMPLETE)

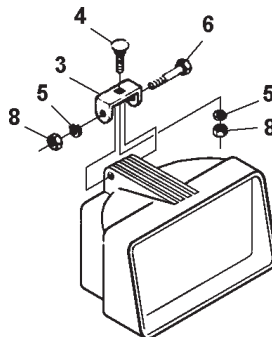


## Section VI - PARTS (cont'd)

### LIGHT KIT



REF. NO.	PART NUMBER	DESCRIPTION
1	0303109	WORK LIGHT (COMPLETE)
2	0304146	HOUSING, WORK LIGHT
3	0304148	MOUNTING BRACKET
4	0304149	MOUNTING SCREW
5	0304150	LOCKWASHER
6	0304151	PIVOT SCREW
7	0304152	BULB, WORK LIGHT
8	0304153	NUT

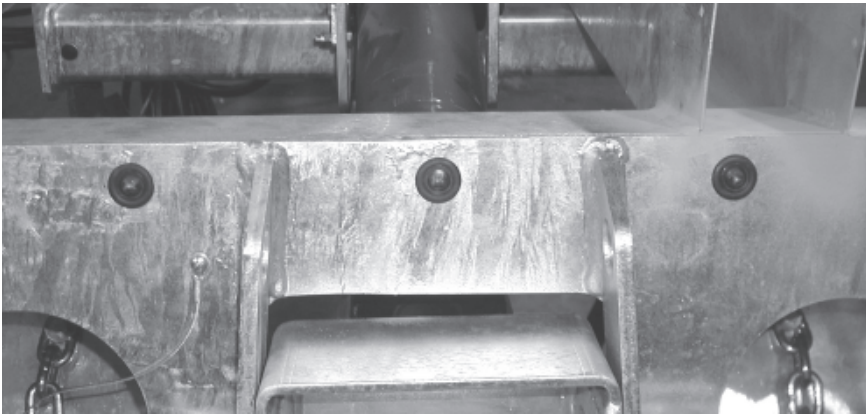


REF. NO.	PART NUMBER	DESCRIPTION
1	174008003	RECTANGULAR WORK LIGHT (COMPLETE)
2	0304146	HOUSING, WORK LIGHT
3	0304148	MOUNTING BRACKET
4	0304149	MOUNTING SCREW
5	0304150	LOCKWASHER
6	0304151	PIVOT SCREW
7	0304152	BULB, WORK LIGHT
8	0304153	NUT

## Section VI - PARTS (cont'd) LIGHT KIT

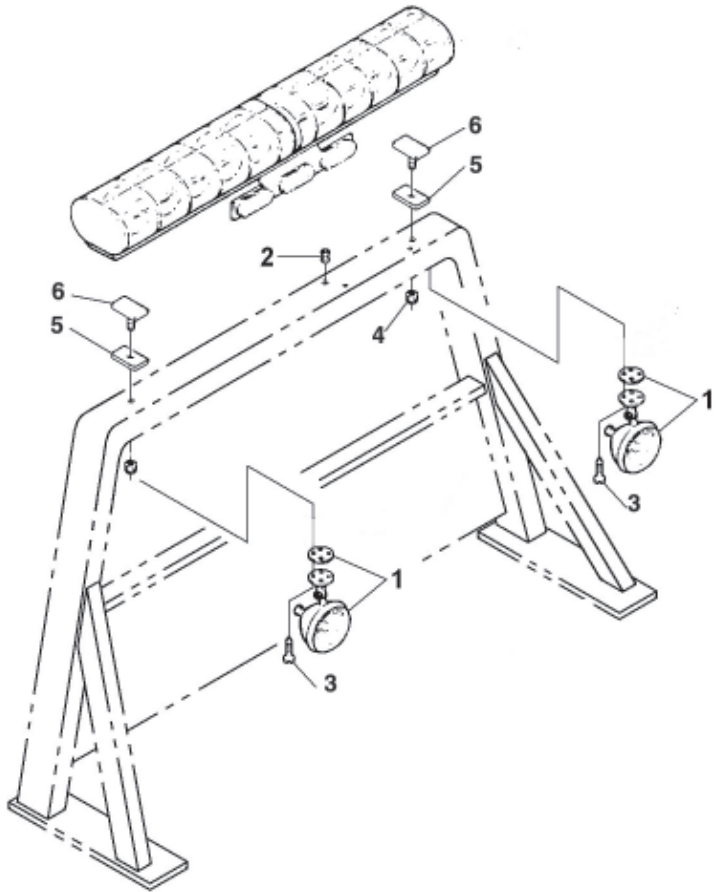


REF. NO.	PART NUMBER	DESCRIPTION
1	0308502	LED MARKER LIGHT
2	0308503	GROMMET



## Section VI - PARTS (cont'd)

### OPTIONAL LIGHTING ACCESSORIES

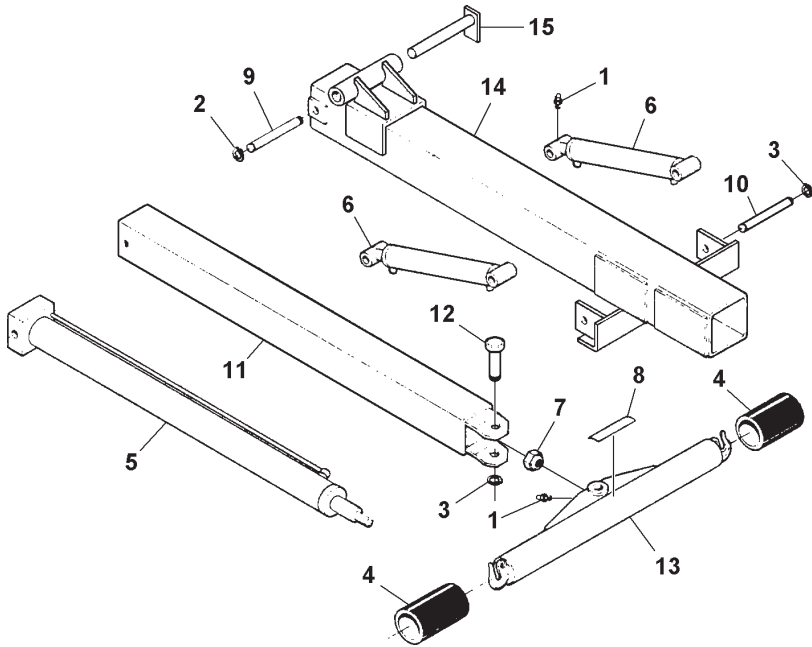


REF. NO.	NO. REQ'D	PART NUMBER	DESCRIPTION
1	2	124001001	SPOT LIGHT W/GASKET
2	2	0300897	GROMMET, RUBBER
3	8	0400043	#10-24 X 1" MACHINE SCREW
4	2	0400392	NUT, 3/8"-16 HEX NYLOK
5	2	0709872	RUBBER CUSHION
6	2	0801777	"T" BOLT ADAPTER

# Section VI - PARTS (cont'd)

## OPTIONAL EQUIPMENT

### INDEPENDENT TOWBAR ASSEMBLY

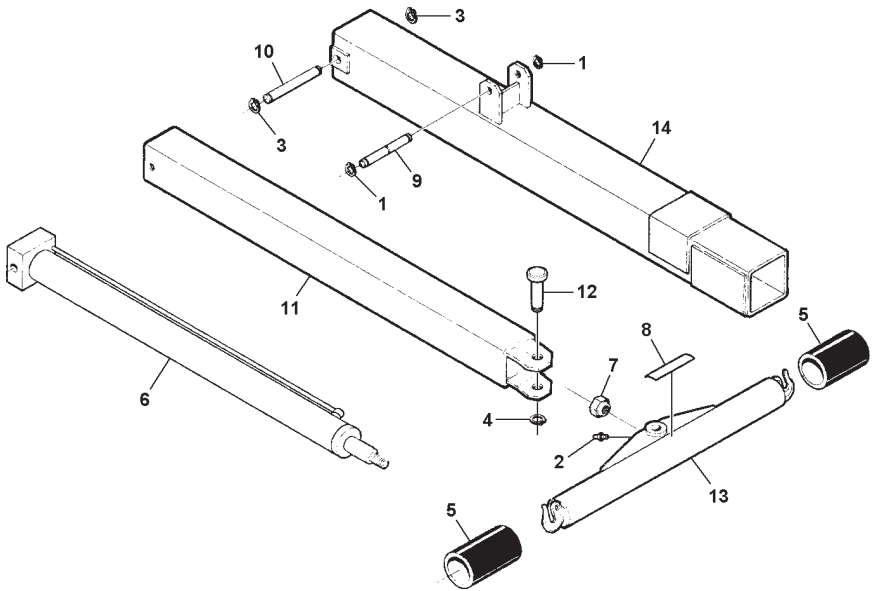


REF. NO.	NO. REQ'D	PART NUMBER	DESCRIPTION
--	--	--	INDEPENDENT TOW BAR ASSEMBLY (COMP.)
1	3	0300113	GREASE FITTING
2	2	0301381	SNAP RING, 3/4"
3	5	0301642	SNAP RING, 1-1/4"
4	2	0301723	GUARD, TOW BAR BUMPER
5	1	0301798	CYLINDER, TOW BAR EXTEND
6	2	0302368	CYLINDER, TOW BAR
7	1	0400436	NUT
8	1	0500241	DECAL, SAFETY CHAIN WARNING
9	1	0702418	SHAFT, EXTEND CYLINDER
10	2	0702434	PIN, CYLINDER
11	1	0800777	TUBE, TOW BAR INNER
12	1	0800784	PIN, TOW BAR PIVOT
13	1	0800924	CROSSTUBE, TOW BAR
14	1	0805030	SHAFT, TOW BAR PIVOT, PIN WITH KEEPER
15	1	0805150	TUBE, TOW BAR OUTER

# Section VI - PARTS (cont'd)

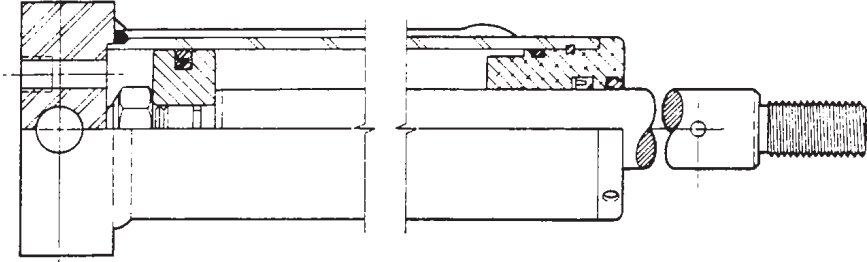
## OPTIONAL EQUIPMENT

### FIXED TOWBAR ASSEMBLY



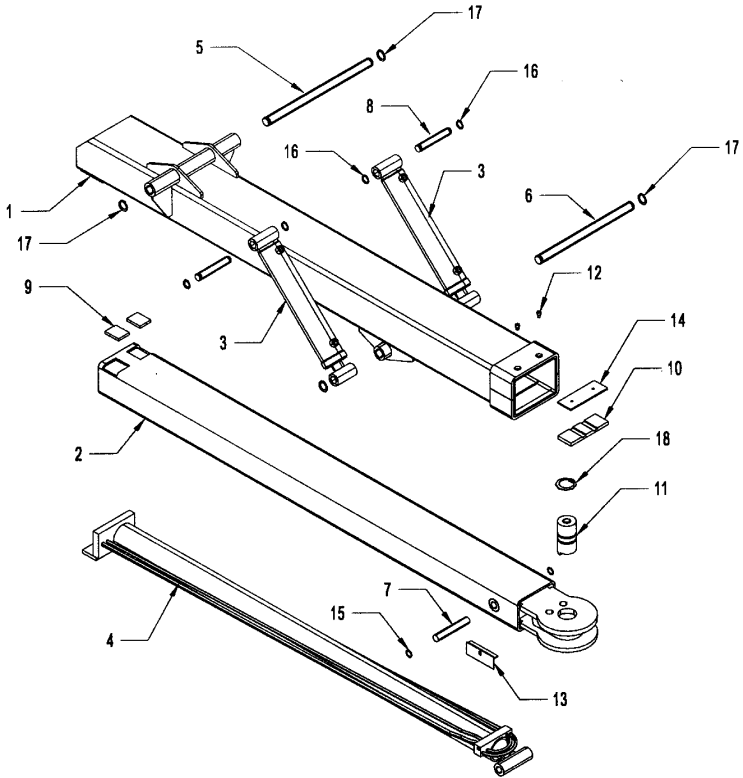
REF. NO.	NO. REQ'D	PART NUMBER	DESCRIPTION
--	--	--	FIXED TOW BAR ASSEMBLY (COMPLETE)
1	2	0300110	SNAP RING, 1"
2	1	0300113	GREASE FITTING
3	2	0301381	SNAP RING, 3/4"
4	1	0301642	SNAP RING, 1-1/4"
5	2	0301723	GUARD, TOW BAR BUMPER
6	1	0301798	CYLINDER, TOW BAR EXTEND
7	1	0400436	NUT
8	1	0500241	DECAL, SAFETY CHAIN WARNING
9	1	0700058	SHAFT, TOW BAR PIVOT
10	1	0702418	SHAFT, EXTEND CYLINDER
11	1	0800777	TUBE, TOW BAR INNER
12	1	0800784	PIN, TOW BAR PIVOT
13	1	0800924	CROSSTUBE, TOW BAR
14	1	0801403	TUBE, TOW BAR OUTER

**Section VI - PARTS (cont'd)**  
**OPTIONAL EQUIPMENT**  
**TOWBAR CYLINDER**



REF. NO.	NO. REQ'D	PART NUMBER	DESCRIPTION
1	1	0301798	CYLINDER, TOWBAR (COMPLETE)
2	--	0308386	SEAL KIT, TOWBAR CYLINDER

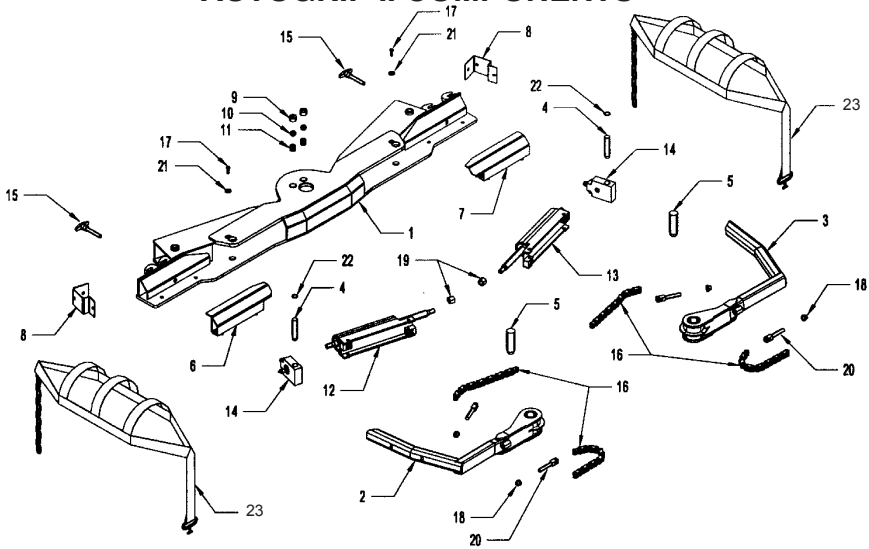
## Section V I- PARTS (cont'd) AUTOGRIP II COMPONENTS



REF NO.	NO REQ'D	PART NUMBER	DESCRIPTION
1	1	102512	WHEEL LIFT TUBE - OUTER
2	1	102522	WHEEL LIFT TUBE - INNER
3	2	72135	WHEEL LIFT LIFT CYLINDER
4	1	72129	WHEEL LIFT EXTENSION CYLINDER
5	1	14518	WHEEL LIFT PIVOT PIN
6	1	14519	LIFT CYLINDER PIVOT PIN
7	1	72940	CYLINDER ROD PIN .980 x 6-5/8
8	2	17190	CYLINDER BASE PIN .980 x 5-7/8
9	2	65612	NYLATRON WEAR PAD
10	1	65611	NYLATRON WEAR PAD-GROOVED1
11	1	644402	CROSSBAR PIVOT PIN 2-1/2 DIAMETER
12	2	812A5	SOCKET HEAD BUTTON - 3/8 x 1/2
13	2	64358	HOSE CLAMP
14	1	65616	SHIM 1
15	2	86100I	SNAP-RING 1.00 INTERNAL
16	4	86100E-1	SNAP-RING 1.00 EXTERNAL-7200
17	4	86125E-1	SNAP-RING 1.25 EXTERNAL-7220
18	1	86250I	SNAP-RING 2.500 INTERNAL

## Section VI - PARTS (cont'd)

### AUTOGRIP II COMPONENTS



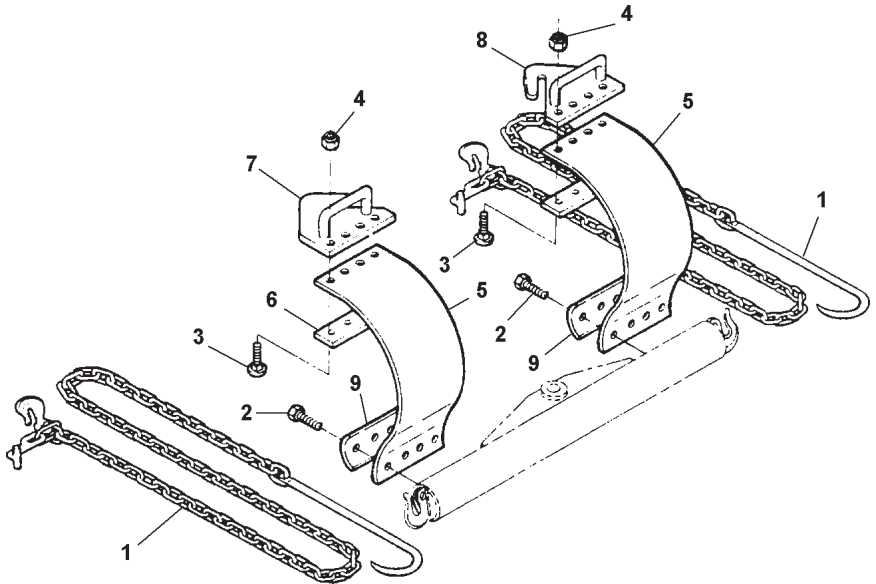
REF NO.	NO REQ'D	PART NUMBER	DESCRIPTION
1	1	644002	CROSSBAR WELDMENT
2	1	644352CL	WHEEL RETAINER - LEFT
3	1	644352CR	WHEEL RETAINER - RIGHT
4	2	644432	WHEEL RETAINER CYLINDER PIN
5	2	644452	ARM PIVOT PIN
6	1	697402L	WHEEL SPACER - LEFT
7	1	697402R	WHEEL SPACER - RIGHT
8	2	644292	HOSE GUARD
9	2	64327	SCREW-PLUG CROSSBAR DETENT
10	2	69325	CROSSBAR DETENT BALL
11	2	69320	CROSSBAR DETENT SPRING
12	1	720152L	WHEEL RETAINER CYLINDER - LEFT
13	1	720152R	WHEEL RETAINER CYLINDER - RIGHT
14	2	727162	L-ARM CYLINDER END BLOCK
15	2	84291	T-PIN 5/8 x 3
16	4	87440	AUTOGRIP ARM CHAIN
	4	81127	5/16 x 1-1/4 SHOULDER SHCS 1/4-20 UNC
	4	83105	1/4-20 UNC NYLON LOCK NUT
17	2	812A5	3/8 ALLEN BOLT
18	4	83411	5/8 NYLON LOCK NUT
19	2	83520	3/4 NYLON LOCK NUT
20	4	64441	CHAIN CLEVIS
	4	81126	5/16 x 1 SHOULDER SHCS 1/4-20 UNC
	4	83105	1/4-20 UNC NYLON LOCK NUT
21	2	82110	5/16 FLAT WASHER
22	2	86100I	SNAP-RING 1.000 INCH INTERNAL
23	2	65286	BASKET TIRE STRAP - AUTO
	2	66287	BASKET TIRE STRAP - TRUCK



# Section VI - PARTS (cont'd)

## OPTIONAL EQUIPMENT

### TOWING SLING



REF. NO.	NO. REQ'D	PART NUMBER	DESCRIPTION
1	2	0300176	"J" HOOK ASSEMBLY
2	8	0400105	SCREW, 5/16"-18 X 1-1/4" SELF-TAPPING
3	8	0400156	CARRIAGE BOLT, 3/8"-16 X 1-1/4"
4	8	0400392	NUT, 3/8"-16 HEX NYLOK
5	2	0701919	TOW SLING BELT
6	2	0701920	GRIP PLATE
7	1	0800608	CHAIN KEEPER, LEFT
8	1	0800609	CHAIN KEEPER, RIGHT
9	2	0800873	BELT RETAINER







8503 Hilltop Drive • Ooltewah, Tennessee 37363 • (423) 238-7227  
[www.millerind.com](http://www.millerind.com)