



OWNER'S MANUAL

896 / 897

INSTALLATION, OPERATION, MAINTENANCE & PARTS

NOTE: MANUAL including SPECIFICATIONS, subject to change without notice
All ratings specified are based on structural factors only,
not vehicle capacities or capabilities.



Miller Industries Towing Equipment Inc.
8503 Hilltop Drive
Ooltewah, Tennessee 37363
Phone (423) 238-7227 i FAX (423) 238-7237

FORM NO. 9120305
10 / 2000
PRICE \$15.00

LIMITED WARRANTY

MILLER INDUSTRIES TOWING EQUIPMENT INC., hereinafter referred to as MILLER, warrants to the original purchaser that each new MILLER wrecker or other MILLER products will be free from defects in material and workmanship for a period of twelve (12) months from date placed in service, but in no event shall such warranty period exceed twenty-four (24) months from date of manufacture by MILLER. The purchaser must promptly notify MILLER in writing of any failure in material or workmanship. In no event shall MILLER accept such notification later than twenty-four (24) months from date of delivery or twelve (12) months from date placed in service, whichever is earlier.

MILLER's obligation under this warranty, statutory or otherwise, is limited to the repair or replacement at the MILLER factory, or at a point designated by MILLER, of such part or parts as shall appear upon inspection by MILLER to be defective in material or workmanship. New or remanufactured parts will be used for any replacement at MILLER's option. This warranty is not transferable. This warranty does not obligate MILLER to bear the cost of labor or transportation charges in connection with the repair or replacement of any parts found to be defective, nor shall it apply to a product upon which repairs or alterations have been made unless authorized by MILLER.

EXCEPT AS EXPRESSLY SET FORTH IN THIS WARRANTY, MILLER MAKES NO OTHER WARRANTY, EXPRESS OR IMPLIED, AND HEREBY DISCLAIMS ALL OTHER WARRANTIES INCLUDING, BUT NOT LIMITED TO, THE IMPLIED WARRANTIES OF MERCHANTABILITY AND FITNESS FOR A PARTICULAR PURPOSE. MILLER shall in no event be liable for claimed downtime, claimed loss of profits or goodwill, or any other special, incidental, indirect, or consequential damages concerning or relating to any product or parts, whether based on negligence, strict liability, breach of contract, breach of warranty, misrepresentation or any other legal theory, regardless of whether the loss resulted from any general or particular requirement which MILLER knew or had reason to know about at the time of sale.

MILLER MAKES NO WARRANTY, EXPRESS OR IMPLIED, AS TO THE FINISHED PRODUCTS MANUFACTURED OR SUPPLIED BY ANOTHER MANUFACTURER AND SUPPLIED BY MILLER TO PURCHASER, including, but not limited to, any vehicle to which a MILLER product may be affixed or any accessories or wire rope, and MILLER EXPRESSLY DISCLAIMS ANY IMPLIED WARRANTIES OF MERCHANTABILITY OR FITNESS FOR A PARTICULAR PURPOSE AS TO SUCH EQUIPMENT OR PRODUCTS. This language shall in no way affect or diminish the rights of the purchaser to rely on such warranties as are extended by such manufacturers or suppliers. MILLER shall, to the extent permitted under applicable law, pass on to the purchaser such manufacturer's or seller's warranty.

MILLER, whose policy is one of continuous improvement, reserves the right to improve its products through changes in design or materials as it may deem desirable without being obligated to incorporate such changes in products previously sold. This warranty is not intended to cover or include the following items, which are set forth by way of example and not limitation:

- A. Normal deterioration of trim, paint, lettering, and appearance items due to wear or exposure to weather, road conditions, road treatments, etc.
- B. Any damage or defect due to accident, misuse, abuse, improper or unauthorized repairs, failure to provide reasonable and necessary maintenance, or uses for which the equipment was not designed or intended.
- C. Alterations or modifications that affect performance, operation or reliability.
- D. Normal maintenance parts including, but not limited to, wear pads, bushings, wire rope, mud flaps, fenderettes, light bulbs, hydraulic oil, filters, and tow sling belts.

IT IS EXPRESSLY UNDERSTOOD THAT MILLER MAKES NO IMPLIED WARRANTY THAT MILLER PRODUCTS SHALL BE FIT FOR THE PURPOSE OF LIFTING OR MOVING PEOPLE OR FOR ANY OTHER IMPROPER USE.



Miller Industries Towing Equipment Inc.
8503 Hilltop Drive
Ooltewah, Tennessee 37363

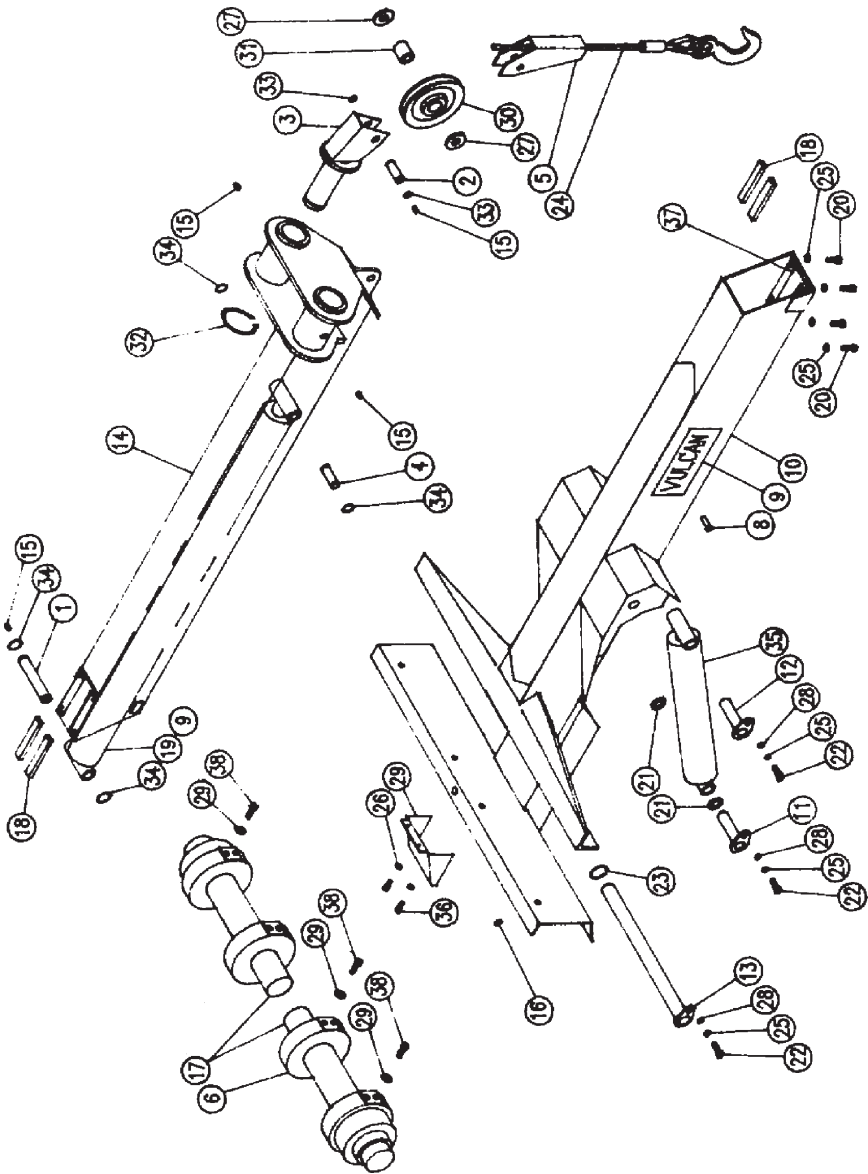
Telephone (423) 238-4171

SERIAL NUMBER

Section VI - REPLACEMENT PARTS

Section VI - REPLACEMENT PARTS (cont'd)

896040000 896 BOOM ASSEMBLY



Section VI - REPLACEMENT PARTS (cont'd)

896040000 896 BOOM ASSEMBLY

| ID NO | PART NO | DESCRIPTION | QTY |
|-------|-----------|----------------------------------|-----|
| 1 | 896400004 | PIN, BOOM EXT. CYLINDER (FRONT) | 1 |
| 2 | 805180001 | SHEAVE, SHAFT | 2 |
| 3 | 804181500 | SHEAVE HOUSING | 2 |
| 4 | 896400005 | PIN, EXTENSION. CYLINDER. (REAR) | 1 |
| 5 | 852060100 | ROPE GUIDE ASSEMBLY | 2 |
| 6 | 9048898 | HYDRAULIC WINCH, LH & RH | 2 |
| 7 | 0906032 | FREESPOOL (NOT SHOWN) | 1 |
| 8 | 9046572 | POP RIVET | 6 |
| 9 | 9033208 | VULCAN NAME PLATE | 2 |
| 10 | 896230000 | DUAL WINCH OUTER BOOM | 1 |
| 11 | 880400500 | PIN, BOOM LOWER LIFT CYLINDER. | 2 |
| 12 | 880401500 | BOOM LIFT CYLINDER. UPPER PIN | 2 |
| 13 | 660402000 | BOOM PIVOT PIN | 1 |
| 14 | 896520000 | INNER BOOM (D/SHEAVE) | 1 |
| 15 | 9012501 | 1/4"-28 GREASE NIPPLE | 5 |
| 16 | 9012532 | 1/8" NPT GREASE NIPPLE | 1 |
| 17 | 30345 | HYDRAULIC MOTOR | 2 |
| 18 | 896040002 | WEAR PAD | 4 |
| 13 | 896680000 | EXTENSION CYLINDER (BOOM) | 1 |
| 20 | 9041204 | 3/8" NC X 1" HEX HD CAP SCREW | 4 |
| 21 | 896100016 | SPACER | 4 |
| 22 | 9041206 | 3/8" NC X 1 1/4 HEX HD CAP SC | 5 |
| 23 | 9056150 | 1 1/2" RETAINING RING | 1 |
| 24 | 0302723 | CABLE, 7/16" DIA. X 150' | 1 |
| 25 | 9045057 | 3/8" BS LOCK WASHER-PLATED | 9 |
| 26 | 9045055 | 1/4" BS LOCK WASHER-PLATED | 2 |
| 27 | 9045215 | 1" BS FLAT WASHER | 4 |
| 28 | 9045255 | 3/8" BS FLAT WASHER | 5 |
| 29 | - | M12 FLAT WASHERS | 16 |
| 30 | 9050504 | SHEAVE WHEEL | 2 |
| 31 | 9053713 | BEARING, 1-1/2" ID | 2 |
| 32 | 9055275 | 2-3/4" EXTERNAL RET. RING | 2 |
| 33 | 9056098 | 1" EXTERNAL RET. RING | 4 |
| 34 | 9056125 | 1-1/4" EXTERNAL RETAINER RING | 4 |
| 35 | 880740000 | LIFT CYLINDER (BOOM) | 2 |
| 36 | 9041005 | 1/4" NC X 1" HEX HD CAP SCREW | 2 |
| 37 | 896040001 | PAD RETAINING PLATE | 1 |
| 38 | - | M12 X 1.75 BOLT | 16 |

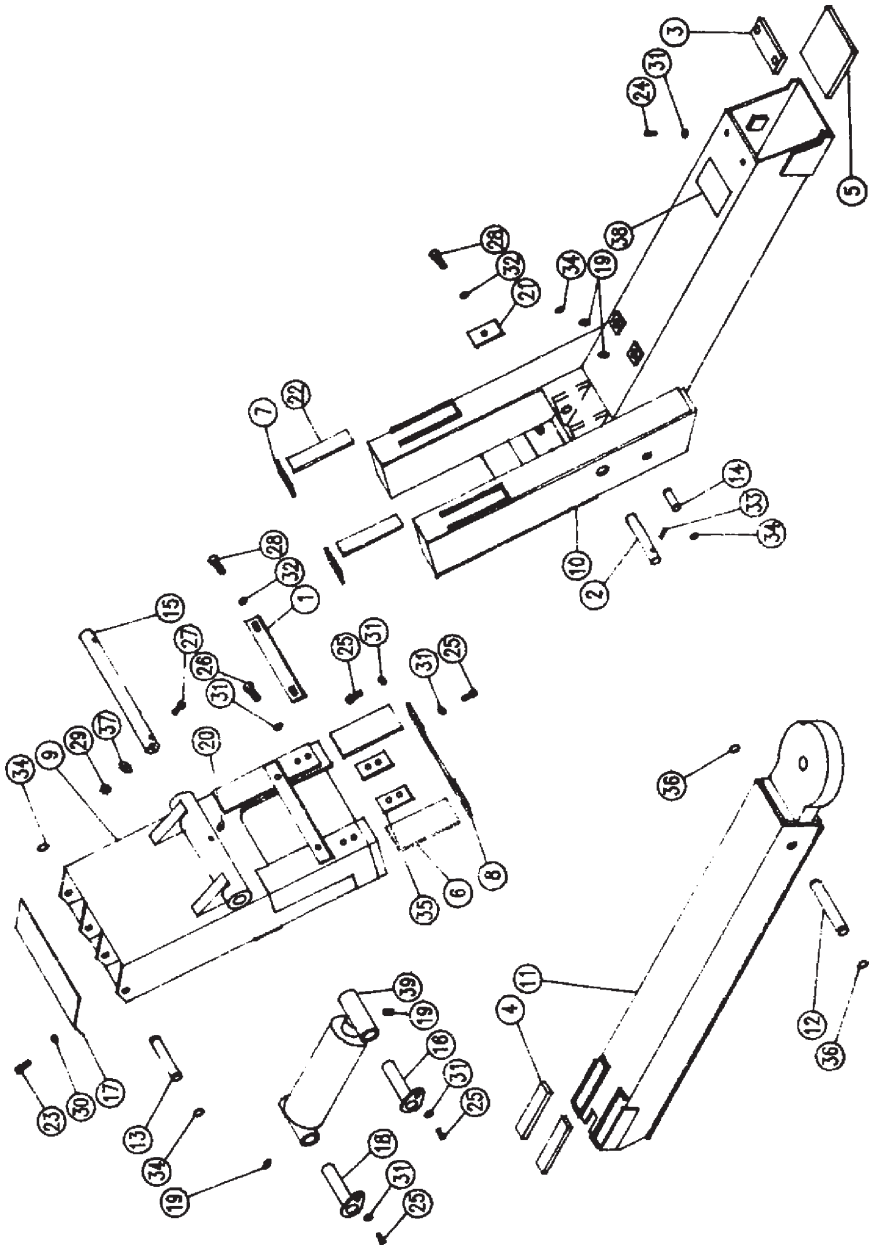
Section VI - REPLACEMENT PARTS (cont'd)

897040000 897 BOOM ASSEMBLY

| ID NO | PART NO | DESCRIPTION | QTY |
|-------|-----------|----------------------------------|-----|
| 1 | 896400004 | PIN, BOOM EXT. CYLINDER (FRONT) | 1 |
| 2 | 9401004 | SHEAVE, SHAFT | 2 |
| 3 | 920101000 | SHEAVE HOUSING | 2 |
| 4 | 896400005 | PIN, EXTENSION. CYLINDER. (REAR) | 1 |
| 5 | 9401070 | ROPE GUIDE ASSEMBLY | 2 |
| 6 | 9048465 | HYDRAULIC WINCH, LH | 1 |
| 7 | 9048464 | HYDRAULIC WINCH, RH | 1 |
| 8 | 9046572 | POP RIVET | 6 |
| 9 | 9033208 | VULCAN NAME PLATE | 2 |
| 10 | 897200000 | DUAL WINCH OUTER BOOM | 1 |
| 11 | 880400500 | PIN, BOOM LOWER LIFT CYLINDER. | 2 |
| 12 | 880401500 | BOOM LIFT CYLINDER. UPPER PIN | 2 |
| 13 | 660402000 | BOOM PIVOT PIN | 1 |
| 14 | 897500000 | INNER BOOM (D/SHEAVE) | 1 |
| 15 | 9012501 | 1/4"-28 GREASE NIPPLE | 4 |
| 16 | 9012532 | 1/8" NPT GREASE NIPPLE | 2 |
| 17 | 0302627 | HYDRAULIC MOTOR | 2 |
| 18 | 896040002 | WEAR PAD | 4 |
| 13 | 896680000 | EXTENSION CYLINDER (BOOM) | 1 |
| 20 | 9041204 | 3/8" NC X 1" HEX HD CAP SCREW | 4 |
| 21 | 896100016 | SPACER | 4 |
| 22 | 9041206 | 3/8" NC X 1 1/4 HEX HD CAP SC | 5 |
| 23 | 9056150 | 1 1/2" RETAINING RING | 1 |
| 24 | 0302848 | CABLE, 1/2" DIA. X 150' | 1 |
| 25 | 9045057 | 3/8" BS LOCK WASHER-PLATED | 9 |
| 26 | 9045055 | 1/4" BS LOCK WASHER-PLATED | 2 |
| 27 | 9043306 | 3/8" NC FLAT WASHER | 2 |
| 28 | 9045255 | 3/8" BS FLAT WASHER | 5 |
| 29 | 0400487 | 7/16" LOCKWASHER | 16 |
| 30 | 9401002 | SHEAVE WHEEL | 2 |
| 31 | 9401007 | BEARING, 1-1/2" ID | 2 |
| 32 | 9055400 | 2-3/4" EXTERNAL RET. RING | 2 |
| 33 | 9041217 | 3/8"NC X 4" HX HD CAP SCREW | 2 |
| 34 | 9056125 | 1-1/4" EXTERNAL RETAINER RING | 4 |
| 35 | 880740000 | LIFT CYLINDER (BOOM) | 2 |
| 36 | 9041005 | 1/4" NC X 1" HEX HD CAP SCREW | 2 |
| 37 | 896040001 | PAD RETAINING PLATE | 1 |
| 38 | 0400234 | 7/16" X 1-1/4" HX HD CAP SCREW | 16 |
| 39 | 897040200 | CABLE TENSIONER | 2 |

Section VI - REPLACEMENT PARTS (cont'd)

897050000 UNDERLIFT ASSEMBLY



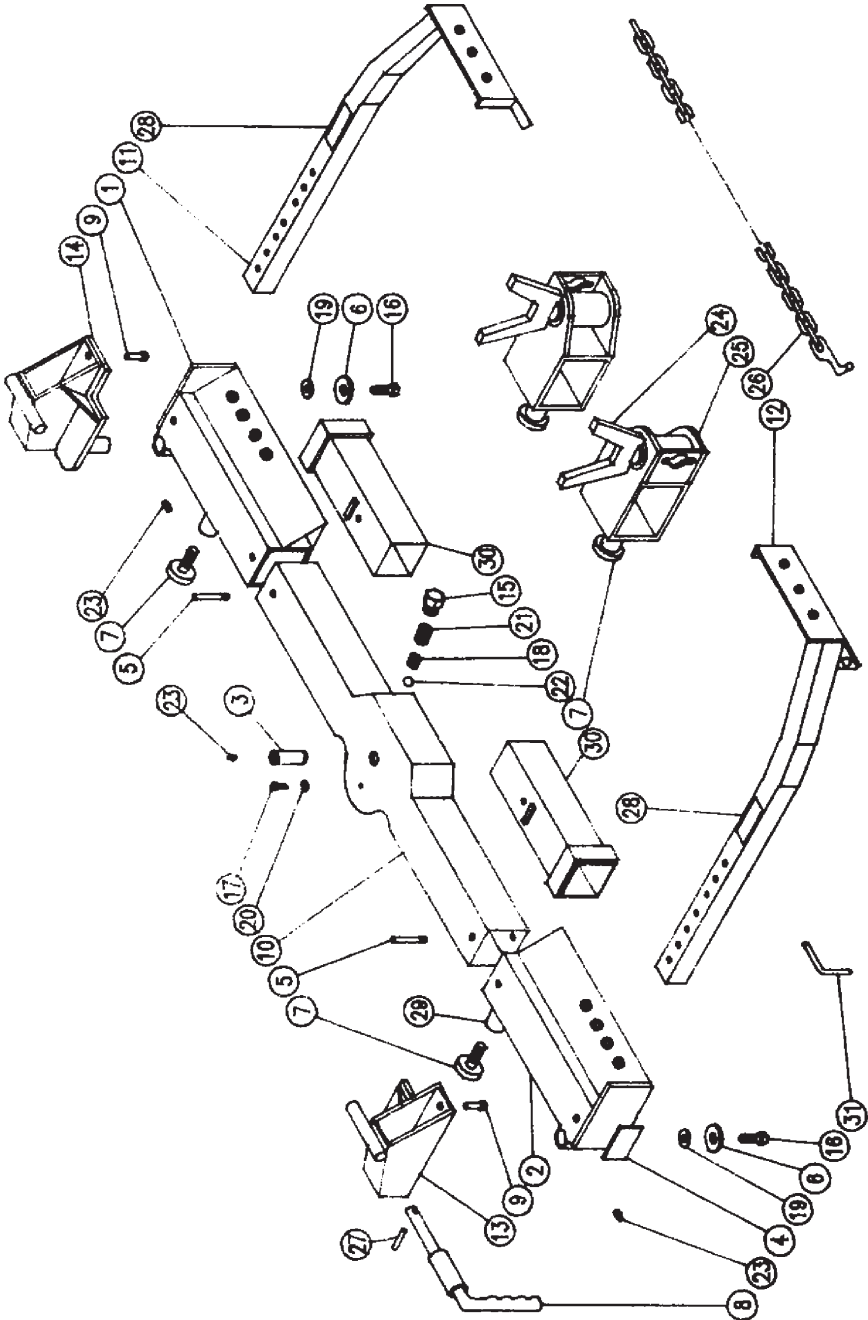
Section VI - REPLACEMENT PARTS (cont'd)

897050000 UNDERLIFT ASSEMBLY

| ID NO | PART NO | DESCRIPTION | QTY |
|-------|-----------|-------------------------------------|-----|
| 1 | 8602100 | HOSE CLAMP | 1 |
| 2 | 896400001 | PIN, LIFT CYLINDER. (LOWER) | 1 |
| 3 | 880060001 | SPACER BAR (STINGER) | 1 |
| 4 | 880060002 | UPPER PAD | 2 |
| 5 | 880060003 | LOWER PAD | 1 |
| 6 | 880060004 | WEAR PAD | 2 |
| 7 | 880060005 | PAD HOLDER | 2 |
| 8 | 880060007 | PAD RETAINER PLATE | 1 |
| 9 | 897250000 | STINGER TILT COLUMN | 1 |
| 10 | 897300000 | OUTER BOOM | 1 |
| 11 | 896350000 | INNER BOOM | 1 |
| 12 | 880400001 | PIN, EXTENSION CYLINDER., REAR MTG | 1 |
| 13 | 896400002 | PIN, LIFT CYLINDER., UPPER | 1 |
| 14 | 896400003 | PIN, EXTENSION CYLINDER., FRONT MTG | 1 |
| 15 | 880400004 | TILT COLUMN PIVOT PIN | 1 |
| 16 | 880400500 | PIN, TILT CYLINDER., LOWER | 1 |
| 17 | 896050001 | COVER plate | 1 |
| 18 | 880401000 | PIN, STINGER UPPER TILT CYLINDER. | 1 |
| 19 | 9012501 | GREASE NIPPLE | 3 |
| 20 | 9012536 | GREASE NIPPLE , 90 | 1 |
| 21 | 8600203 | HOSE CLAMP PLATE | 2 |
| 22 | 9031158 | UHMW WEAR BAR | 2 |
| 23 | 9041005 | 1/4 x 1 NC HEX HD CAP SCREW | 2 |
| 24 | 5041201 | 3/8 x 1/2 NC HEX HD CAP SCREW | 2 |
| 25 | 9041204 | 3/6 X 7/8 NC HEX HD CAP SCREW | 9 |
| 26 | 9041205 | 3/8 NC X 1" HEX HD CAP SCREW | 4 |
| 27 | 9041213 | 3/8 NC X 3" HEX HD CAP SCREW | 1 |
| 28 | 9041353 | 7/16 NF X 3/4 HEX HD CAP SCREW | 4 |
| 29 | 0043306 | 3/8 NC HEX NUT, NYLOK | 1 |
| 30 | 9045055 | 1/4" BS LOCKWASHER | 2 |
| 31 | 9045057 | 3/8" BS LOCKWASHER | 15 |
| 32 | 9045058 | 7/16" BS LOCKWASHER | 4 |
| 33 | 9048061 | HITCH PIN CLIP | 1 |
| 34 | 9056098 | 1" EXTENSION. HEAVY DUTY RET. RING | 4 |
| 35 | 8600204 | SPACER BAR (TILT COLUMN) | 9 |
| 36 | 9056125 | 1-1/4" EXTENSION. HD RET. RING | 2 |
| 37 | 9045255 | 3/8" BS FLAT WASHER | 1 |
| 38 | 9033194 | WARNING DECAL | 1 |
| 39 | 896670000 | TILT CYLINDER | 1 |

Section VI - REPLACEMENT PARTS (cont'd)

896360000 CROSSBEAM ASSEMBLY W/WHEEL RETAINERS



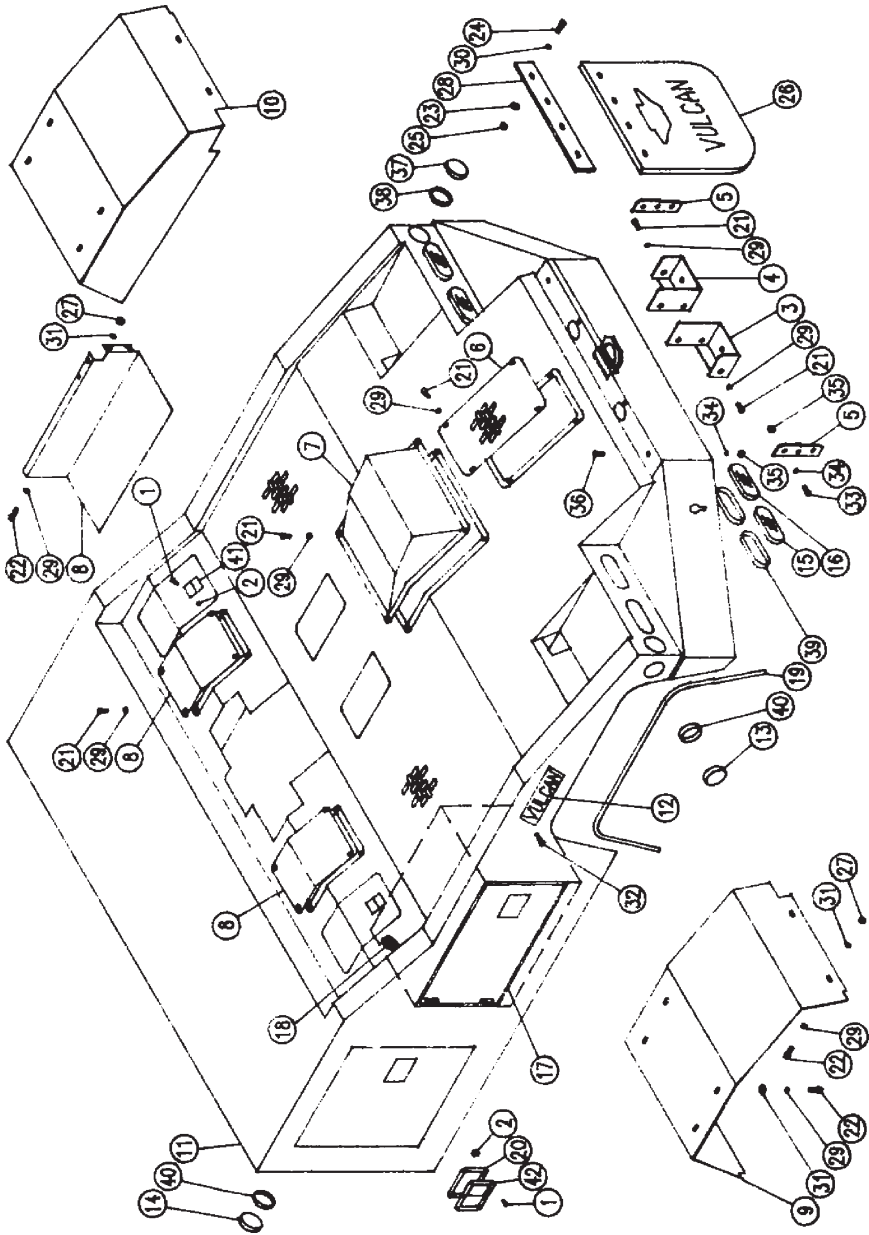
Section VI - REPLACEMENT PARTS (cont'd)

896360000 CROSSBEAM ASSEMBLY W/WHEEL RETAINERS

| ID NO | PART NO | DESCRIPTION | QTY |
|-------|-----------|---------------------------------|-----|
| 1 | 896377500 | WHEEL GRID, RH | 1 |
| 2 | 896370500 | WHEEL GRID, LH | 1 |
| 3 | 896401000 | CROSSBEAM PIVOT PIN | 1 |
| 4 | 9025068 | REFLECTOR | 2 |
| 5 | 896360001 | STOPPER PIN | 2 |
| 6 | 896380002 | WASHER, 11/16 ID X 2 OD | 2 |
| 7 | 8601900 | SLIDE LOCK HANDLE KNOB ASSEMBLY | 2 |
| 8 | 880411500 | STOP PIN ASSEMBLY | 2 |
| 9 | 896380001 | SCOOP LOCK PIN | 2 |
| 10 | 896360500 | STINGER CROSSBEAM | 1 |
| 11 | 896397000 | WHEEL RETAINER, RH | 1 |
| 12 | 896390000 | WHEEL RETAINER, LH | 1 |
| 13 | 896380500 | LH SCOOP BRACKET | 1 |
| 14 | 896387500 | RH SCOOP BRACKET | 1 |
| 15 | 9012944 | PIPE PLUG | 1 |
| 16 | 9043950 | 5/8 NC X 1 1/2 HEX HD CAP SC | 2 |
| 17 | 9043956 | 3/8 NC X 3/4 BUTTON HD AL SC | 2 |
| 18 | 9045255 | 3/8 BS FLAT WASHER | 3 |
| 19 | 9045354 | 5/6 SAE FLAT WASHER | 2 |
| 20 | 8600406 | 3/6 ID X 1" OD FLAT WASHER | 1 |
| 21 | 9047057 | DIE SPRING | 1 |
| 22 | 9052013 | 1" DIA. BALL BEARING | 1 |
| 23 | 9012501 | GREASE NIPPLE | 2 |
| 24 | 0200018 | FRAME FORK | 2 |
| 25 | 896410500 | FORI HOLDER | 2 |
| 26 | 8622850 | SAFETY CHAIN, 12 FT. | 2 |
| 27 | 9046310 | ROLL PIN | 2 |
| 28 | 9033198 | SAFETY CHAIN DECAL | 2 |
| 29 | 8601608 | SLIDE LOCK SOCKET | 2 |
| 30 | 896361000 | EXTENSION TUBE | 2 |
| 31 | 896380504 | LOCK PIN | 2 |
| 32 | 0200019 | FRAME FORK (NOT SHOWN) | 2 |

Section VI - REPLACEMENT PARTS (cont'd)

896 & 897 BODY ASSEMBLY



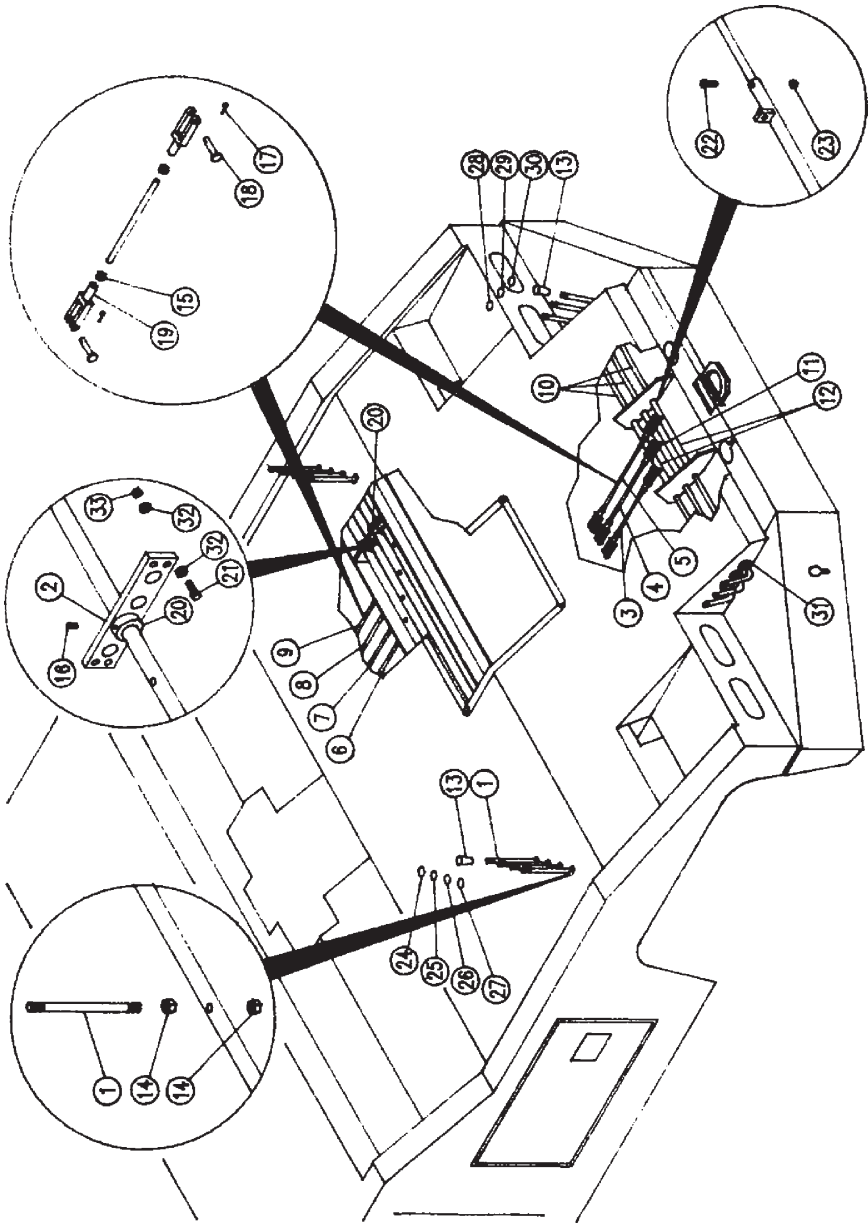
Section VI - REPLACEMENT PARTS (cont'd)

896 & 897 BODY ASSEMBLY

| ID NO | PART NO | DESCRIPTION | QTY |
|-------|-----------|--------------------------------|------|
| 1 | 9043951 | #8-32 X 1" ONE WAY SCREW | 12 |
| 2 | 9043399 | #8-32 NYLOK HEX NUT | 12 |
| 3 | 896154000 | CHAIN POCKET, LH | 1 |
| 4 | 896158000 | CHAIN POCKET, RH | 1 |
| 5 | 880090002 | REAR CHASSIS MOUNTING PLATE | 2 |
| 6 | 896151507 | ACCESS COVER PLATE (REAR DCV) | 1 |
| 7 | 880122500 | ACCESS COVER | 1 |
| 6 | 896151003 | ACCESS PANEL | 2 |
| 9 | 896154500 | INNER FENDER, LH | 1 |
| 10 | 896158500 | INNER FENDER, RH | 1 |
| 11 | 896140000 | BODY | 1 |
| 12 | 9033208 | VULCAN NAME PLATE | 2 |
| 13 | 9025116 | MARKER LIGHT - RED - 2 1/2" | 2 |
| 14 | 9025119 | MARKER LIGHT - AMBER - 2 1/2" | 2 |
| 15 | 9025069 | STOP/TAIL LIGHT | 2 |
| 16 | 9025070 | BACK UP LIGHT | 2 |
| 17 | 9032006 | WEATHER STRIP | 8.1' |
| 18 | 9032053 | RUBBER GROMMET | 1 |
| 19 | 9032096 | TRIM | 8.5' |
| 20 | 9049016 | RUBBER GASKET | 3 |
| 21 | 9041001 | 1/4 NC X 1/2 HEX HD CAP SCREW | 18 |
| 22 | 9041004 | 1/4 NC X 7/8 HEX HD CAP SCREW | 16 |
| 23 | 9045204 | 5/16 FLAT WASHER | 10 |
| 24 | 9041104 | 5/16 NC X 7/8 HEX HD CAP SCREW | 8 |
| 25 | 9043102 | 5/16 NC HEX NUT | 8 |
| 26 | 9032092 | MUD FLAP (OPTIONAL) | 2 |
| 27 | 9043125 | 1/4 NC HEX NUT | 6 |
| 28 | 804500001 | MUD FLAP PLATE | 2 |
| 29 | 9045055 | 1/4 LOCK WASHER | 36 |
| 30 | 9045056 | 5/16 LOCK WASHER | 8 |
| 31 | 9045253 | 1/4 FLAT WASHER | 16 |
| 32 | 9046572 | POP RIVET | 8 |
| 33 | 9044405 | 1/2 NC X 1 3/4 HEX HD GRD8 | 4 |
| 34 | 9045257 | 1/2 FLAT WASHER | 6 |
| 35 | 9043311 | 1/2 NYLOK HEX NUT | 6 |
| 36 | 9043948 | 1/2 NC X 1 1/2 CARRIAGE BOLT | 2 |
| 37 | 9025112 | MARKER LIGHT - RED - 2" | 2 |
| 38 | 9025118 | RUBBER GROMMET - 2" | 2 |
| 39 | 9025107 | RUBBER GROMMET - OVAL | 4 |
| 40 | 9025116 | RUBBER GROMMET- 2 1/2" | 4 |
| 41 | 9048895 | PADDLE HANDLE | 2 |
| 42 | 9048750 | LATCH | 3 |

Section VI - REPLACEMENT PARTS (cont'd)

896030000 BODY ASSEMBLY - ROD CONNECTORS



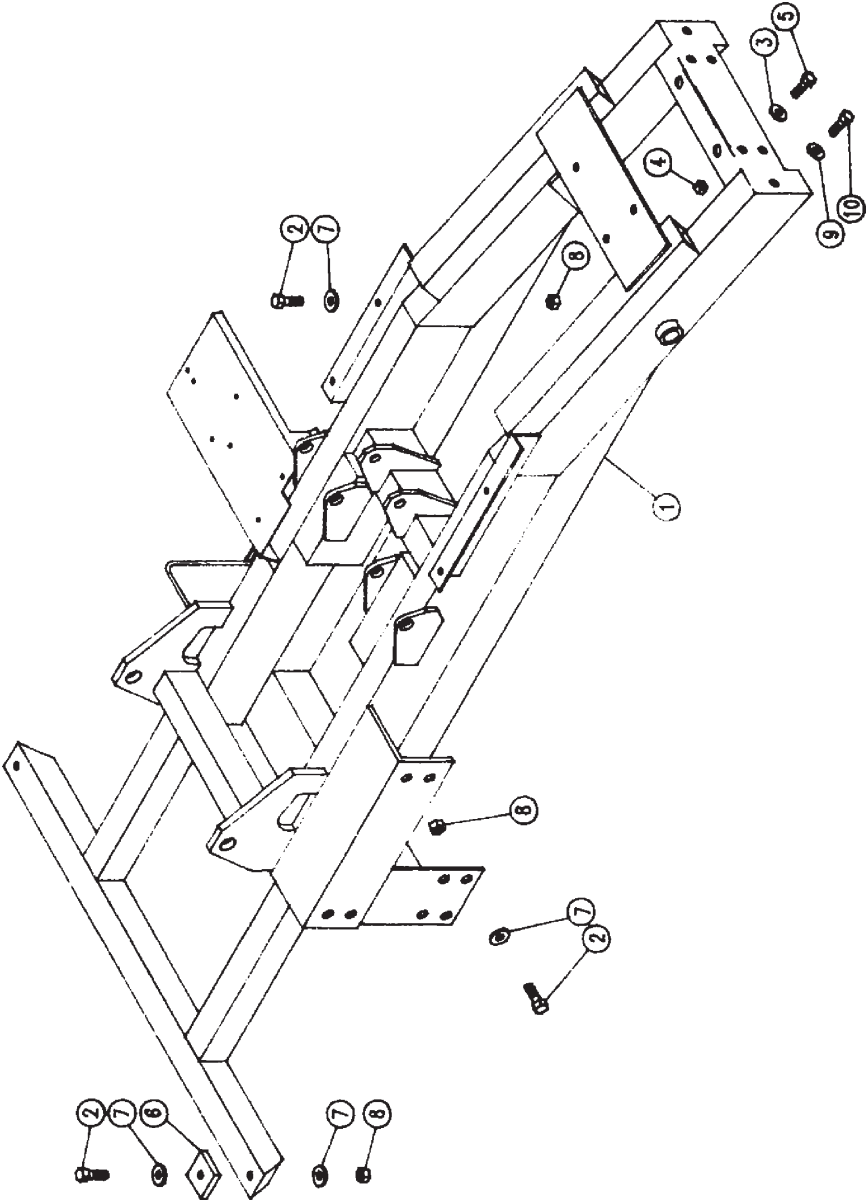
Section VI - REPLACEMENT PARTS (cont'd)

896030000 BODY ASSEMBLY - ROD CONNECTORS

| ID NO | PART NO | DESCRIPTION | QTY |
|-------|-----------|------------------------------------|-----|
| 1 | 880460008 | CONNECTORTROL HANDLE | 8 |
| 2 | 9031240 | CONNECTORTROL ROD MOUNTING PAD | 2 |
| 3 | 880465001 | 3" CONNECTORTROL ROD | 1 |
| 4 | 880465002 | 4 1/2" CONNECTORTROL ROD | 1 |
| 5 | 880465003 | 6" CONNECTORTROL ROD | 1 |
| 6 | 880465004 | CONNECTORTROL ROD | 1 |
| 7 | 880465005 | 10 1/2" CONNECTORTROL ROD | 1 |
| 8 | 880465006 | 12" CONNECTORTROL ROD | 1 |
| 9 | 880465007 | 13 1/2" CONNECTORTROL ROD | 1 |
| 10 | 880470001 | CONNECTORTROL ROD | 6 |
| 11 | 880470500 | REAR CONNECTORTROL ROD | 1 |
| 12 | 880471000 | REAR CONNECTORTROL ROD | 2 |
| 13 | 9032106 | CONNECTORTROL KNOB | 14 |
| 14 | 9043129 | 1/2 NC HEX NUT | 16 |
| 15 | 9043171 | 5/16 NE HEX NUT | 14 |
| 16 | 9043939 | 5/16 NC X 3/8 SELF LK SET SC | 8 |
| 17 | 9046009 | 3/32 COTTER PIN | 14 |
| 18 | 9046501 | 5/16 CLEVIS PIN | 14 |
| 19 | 9048006 | 5/16 YOKE END | 14 |
| 20 | 9048637 | COLLAR | 8 |
| 21 | 9041108 | 5/16" X 1 3/4 LG. HEX HD CAP SCREW | 8 |
| 22 | 9043419 | 8-32 X 1" SOCKET HD CAP SC | 6 |
| 23 | 9043395 | #8-32 NYLOK HEX NUT | 6 |
| 24 | 9033156 | DECAL-BOOM UP/DOWN | 2 |
| 25 | 9033149 | DECAL-BOOM IN/OUT | 2 |
| 26 | 9033151 | DECAL-RH WINCH | 2 |
| 27 | 9033152 | DECAL-LH WINCH | 2 |
| 28 | 9033153 | DECAL-STINGER IN/OUT | 2 |
| 29 | 9033155 | DECAL-STINGER TILT | 2 |
| 30 | 9033154 | DECAL-STINGER UP/DOWN | 2 |
| 31 | 9053715 | BUSHING | 12 |
| 32 | 9045353 | 5/16" SAE FLAT WASHER | 16 |
| 33 | 9043334 | 5/16" NYLOK NUT | 8 |

Section VI - REPLACEMENT PARTS (cont'd)

896020000 SUBFRAME ASSEMBLY



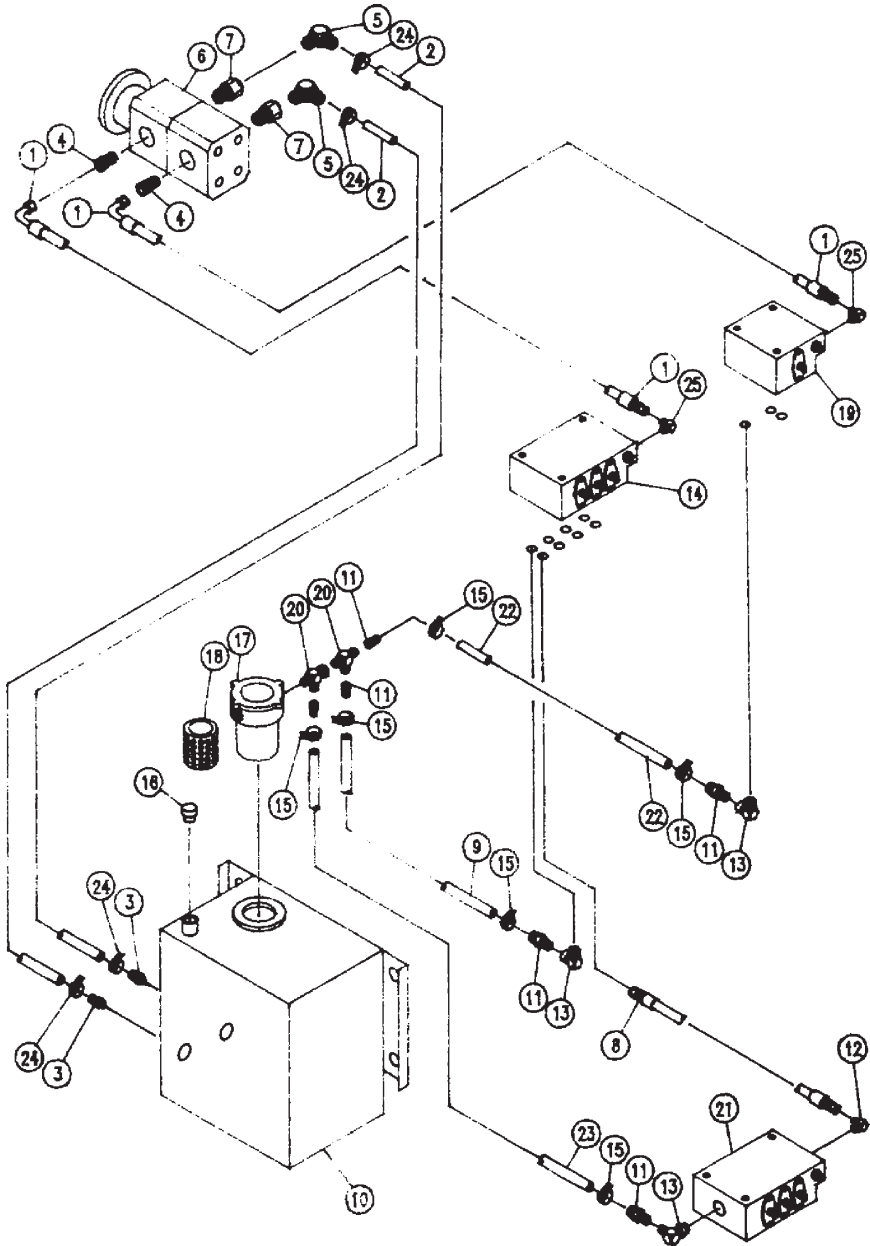
Section VI - REPLACEMENT PARTS (cont'd)

896020000 SUBFRAME ASSEMBLY

| ID NO | PART NO | DESCRIPTION | QTY |
|----------|------------|---------------------------------|-----|
| 1 | 896100000 | SUBFRAME ASSEMBLY | 1 |
| 2 | 9041403 | 1/2 X 1 1/2 HEX HD GRD8 | 10 |
| 3 | 9045358 | 5/8 FLAT WASHER | 4 |
| 4 | 9043307 | 5/8 NC NYLOK HEX NUT | 4 |
| 5 | 9044409 | 5/8 X 2 1/4 GR5 HEX HD | 4 |
| 6 | 896050002 | RUBBER PAD | 2 |
| 7 | 9045257 | 1/2" FLAT WASHER | 16 |
| 8 | 9043311 | 1/2" NYLOK NUT | 10 |
| 9 | 9045061 | 5/8" LOCK WASHER | 2 |
| 10 | 9041604 | 5/8" X 1 3/4 H.HEX HD CAP SCREW | 2 |

Section VI - REPLACEMENT PARTS (cont'd)

SUBFRAME HYDRAULIC COMPONENTS



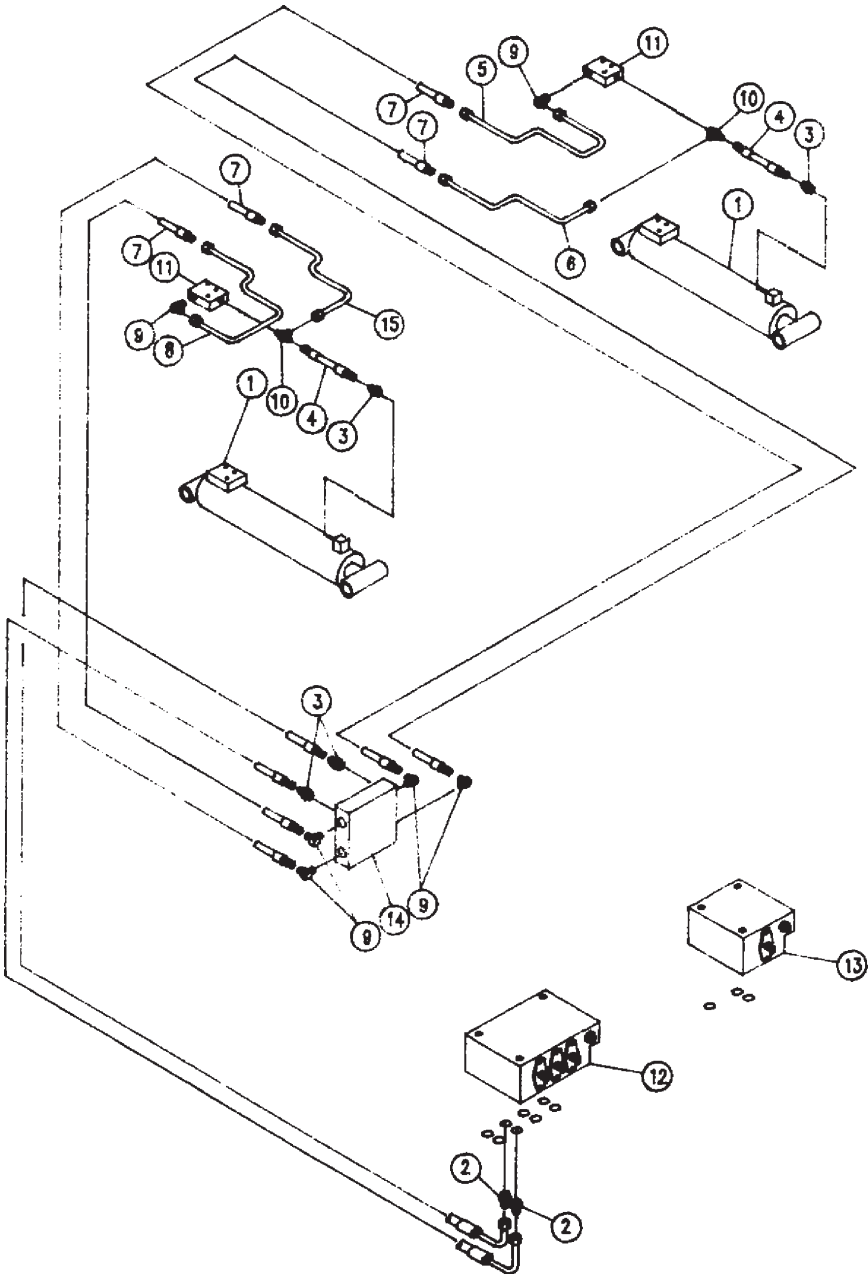
Section VI - REPLACEMENT PARTS (cont'd)

SUBFRAME HYDRAULIC COMPONENTS

| ID NO | PART NO | DESCRIPTION | QTY |
|----------|------------|------------------------------------|-----|
| 1 | 896770007 | HOSE ASSEMBLY | 2 |
| 2 | 896770009 | HOSE ASSEMBLY | 2 |
| 3 | 9012881 | HOSE BARB 1" NPT X 1-1/4" | 2 |
| 4 | 9012965 | 1/16"-12 SAE X 1-1/16" JIC | 2 |
| 5 | 9012828 | 1" 90° DEGREE ELBOW | 2 |
| 6 | 9016705 | HYDRAULIC PUMP - 2 SECTION | 1 |
| 7 | 9012962 | 1-5/16"-12 SAE X 1" NPT Adapter | 2 |
| 8 | 880010017 | HYDRAULIC HOSE ASSEMBLY 63" | 1 |
| 9 | 880010018 | HYDRAULIC HOSE ASSEMBLY 26" | 1 |
| 10 | 896031500 | HYDRAULIC TANK WELDMENT | 1 |
| 11 | 9012811 | 3/4 TO 3/4 BRASS HOSE BARB | 6 |
| 12 | 9012946 | 3/4 JIC X 1/8" SAE-90° ELBOW | 1 |
| 13 | 9012981 | 1/8 SAE X 3/4 NPT-90° FEMALE ELBOW | 2 |
| 14 | 9015745 | 3 SECTION HYDRAULIC VALVE | 1 |
| 15 | 9018016 | HOSE CLAMP | 6 |
| 16 | 9018131 | BREATHER CAP | 1 |
| 17 | 9018307 | FILTER | 1 |
| 18 | 9018309 | FILTER ELEMENT | 1 |
| 19 | 9015744 | SECTION HYDRAULIC VALVE | 1 |
| 20 | 9012945 | STRAIGHT TEE | 2 |
| 21 | 9015733 | 3 SECTION HYDRAULIC VALVE | 1 |
| 22 | 896770009 | RETURN LINE | 1 |
| 23 | 880010019 | RETURN LINE | 1 |
| 24 | 9018092 | HOSE CLAMP | 4 |
| 25 | 9013056 | 1 1/16-12 JIC X 7/8-14 SAE 90° | 2 |

Section VI - REPLACEMENT PARTS (cont'd)

BOOM LIFT CYLINDER HYDRAULIC COMPONENTS



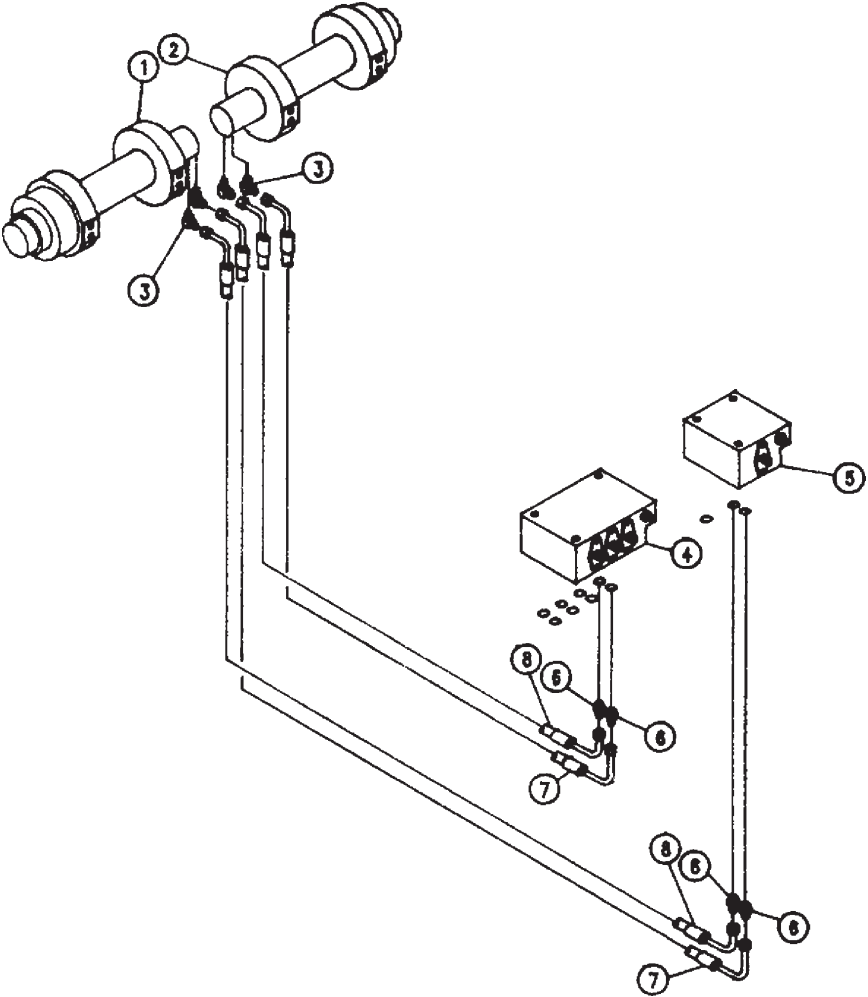
Section VI - REPLACEMENT PARTS (cont'd)

BOOM LIFT CYLINDER HYDRAULIC COMPONENTS

| ID NO | PART NO | DESCRIPTION | QTY |
|-------|-----------|-----------------------------------|-----|
| 1 | 880740000 | BOOM LIFT CYLINDER | 2 |
| 2 | 9011653 | 9/16"-18 JIC X 3/4-16 SAE | 2 |
| 3 | 9012565 | MALE CONN. 9/16"-18JIC X 9/16"-18 | 4 |
| 4 | 860010001 | HYDRAULIC HOSE ASSEMBLY - 11-1/2" | 2 |
| 5 | 896760002 | HYDRAULIC TUBING | 1 |
| 6 | 896160001 | HYDRAULIC TUBING | 1 |
| 7 | 897770001 | HYDRAULIC HOSE ASSEMBLY | 4 |
| 8 | 896760004 | HYDRAULIC TUBING | 1 |
| 9 | 9012593 | 90° ELBOW 9/16"-18 JIC | 2 |
| 10 | 9012594 | RUN TEE 06J-X-06S | 2 |
| 11 | 9015739 | HOLDING VALVE | 2 |
| 12 | 9015745 | 3 SECTION VALVE | 1 |
| 13 | 9015744 | 1 SECTION VALVE | 1 |
| 14 | 9018271 | TRANSITION VALVE | 1 |
| 15 | 896760003 | HYDRAULIC TUBING | 1 |

Section VI - REPLACEMENT PARTS (cont'd)

896 WINCH HYDRAULIC COMPONENTS

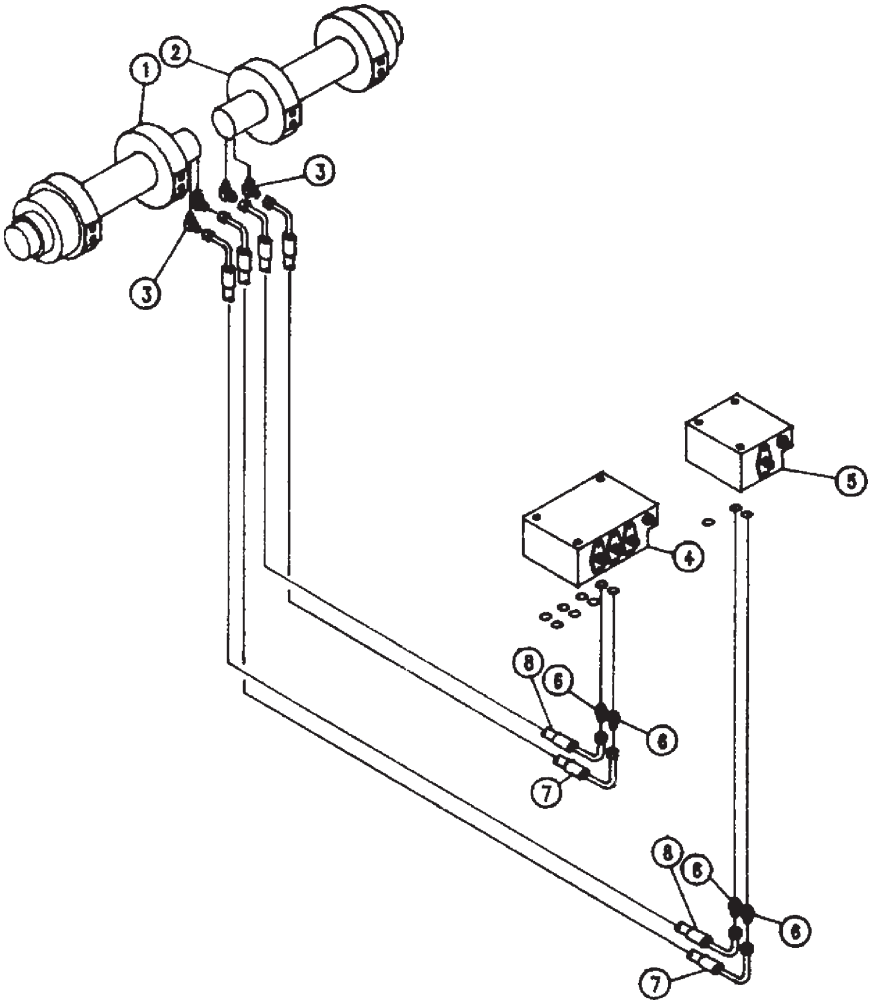


Section VI - REPLACEMENT PARTS (cont'd)
896 WINCH HYDRAULIC COMPONENTS

| ID NO | PART NO | DESCRIPTION | QTY |
|----------|------------|-----------------------------|-----|
| 1 | 9048898 | LH WINCH, 6 TON, PLANETARY | 1 |
| 2 | 9048898 | RH WINCH, 6 TON, PLANETARY | 1 |
| 3 | 9013061 | 90° ELBOW | 4 |
| 4 | 9015752 | 3 SECTION VALVE | 1 |
| 5 | 9015756 | 1 SECTION VALVE | 1 |
| 6 | 9011653 | 9/16"-18 JIC X 3/4-16 SAE | 4 |
| 7 | 880010003 | HYDRAULIC HOSE ASSEMBLY 83" | 2 |
| 8 | 880010010 | HYDRAULIC HOSE ASSEMBLY 83" | 2 |

Section VI - REPLACEMENT PARTS (cont'd)

897 WINCH HYDRAULIC COMPONENTS



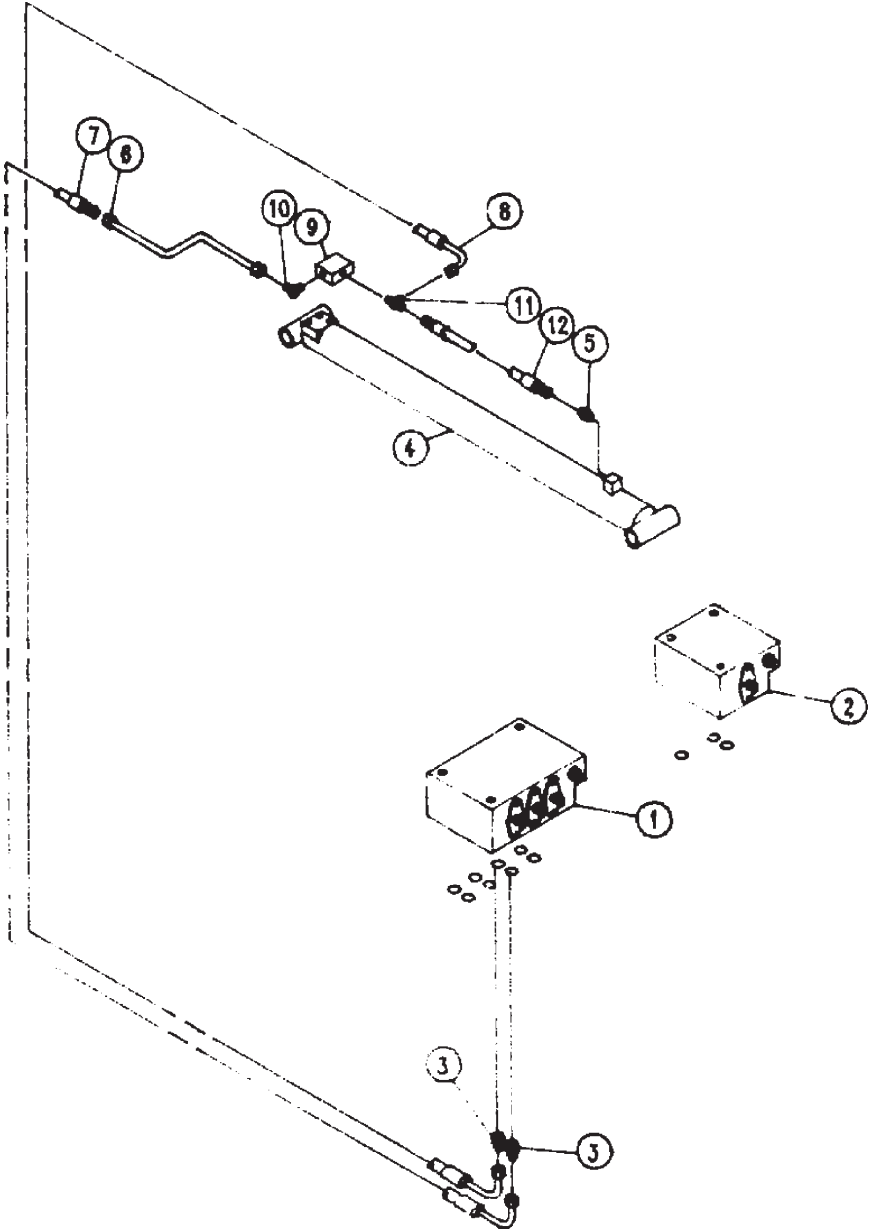
Section VI - REPLACEMENT PARTS (cont'd)

897 WINCH HYDRAULIC COMPONENTS

| ID NO | PART NO | DESCRIPTION | QTY |
|----------|------------|-----------------------------|-----|
| 1 | 9048464 | LH WINCH, 7 TON, WORM GEAR | 1 |
| 2 | 9048465 | RH WINCH, 7 TON, WORM GEAR | 1 |
| 3 | 9013061 | 90° ELBOW | 4 |
| 4 | 9015752 | 3 SECTION VALVE | 1 |
| 5 | 9015756 | 1 SECTION VALVE | 1 |
| 6 | 9011653 | 9/16"-18 JIC X 3/4-16 SAE | 4 |
| 7 | 880010003 | HYDRAULIC HOSE ASSEMBLY 83" | 2 |
| 8 | 880010010 | HYDRAULIC HOSE ASSEMBLY 83" | 2 |

Section VI - REPLACEMENT PARTS (cont'd)

BOOM EXTENSION CYLINDER HYDRAULIC COMPONENTS



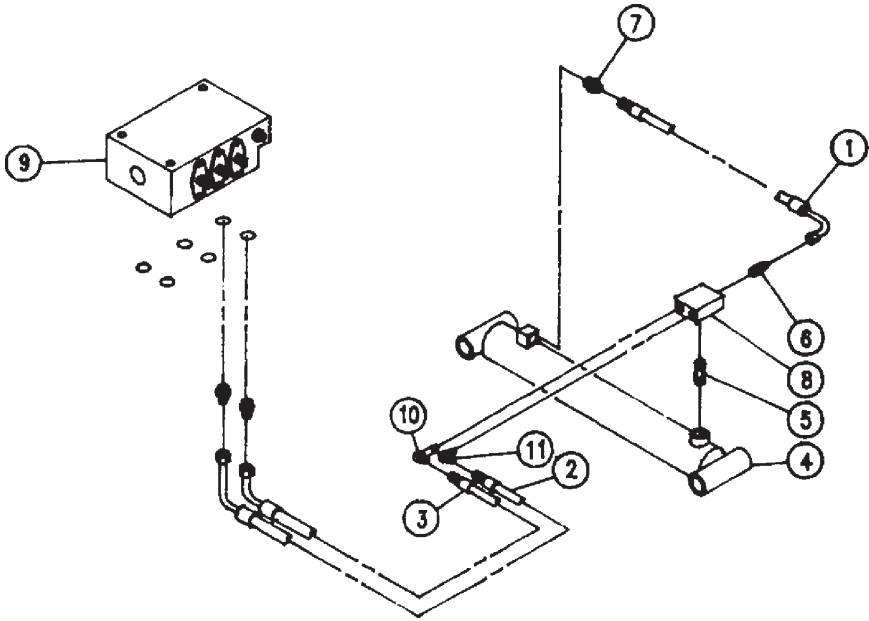
Section VI - REPLACEMENT PARTS (cont'd)

BOOM EXTENSION CYLINDER HYDRAULIC COMPONENTS

| ID NO | PART NO | DESCRIPTION | QTY |
|----------|------------|-----------------------------------|-----|
| 1 | 9015752 | 3 SECTION VALVE | 1 |
| 2 | 9015756 | 1 SECTION VALVE | 1 |
| 3 | 9011653 | 9/16" -18 JIC X 3/4-16 SAE | 2 |
| 4 | 8966130000 | BOOM EXTENSION CYLINDER | 1 |
| 5 | 9012565 | MALE CONN. 9/16"-18JIC X 9/16"-18 | 1 |
| 6 | 880510024 | 3/8" TUBE ASSEMBLY | 1 |
| 7 | 896770005 | HYDRAULIC HOSE ASSEMBLY 56" | 1 |
| 8 | 896770004 | HYDRAULIC HOSE ASSEMBLY 54 1/2" | 1 |
| 9 | 9015139 | LOCK VALVE | 1 |
| 10 | 9012533 | 90° ELBOW | 1 |
| 11 | 9012594 | RUN TEE | 1 |
| 12 | 896770010 | HYDRAULIC HOSE 56 1/2" | 1 |

Section VI - REPLACEMENT PARTS (cont'd)

UNDERLIFT LIFT CYLINDER HYDRAULIC COMPONENTS



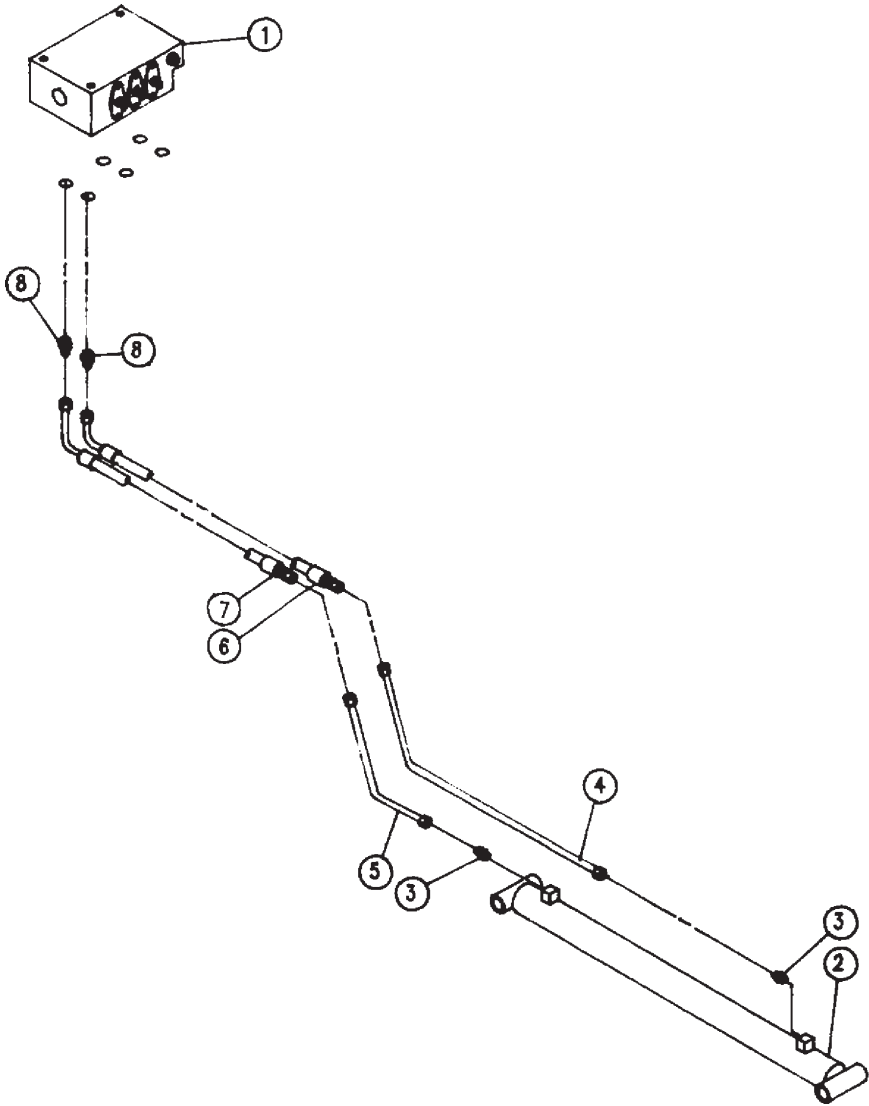
Section VI - REPLACEMENT PARTS (cont'd)

UNDERLIFT LIFT CYLINDER HYDRAULIC COMPONENTS

| ID NO | PART NO | DESCRIPTION | QTY |
|-------|-----------|------------------------------------|-----|
| 1 | 880010006 | HYDRAULIC HOSE ASSEMBLY - 40" | 1 |
| 2 | 880010051 | HYDRAULIC HOSE ASSEMBLY - 25 1/2" | 1 |
| 3 | 880010008 | HYDRAULIC HOSE ASSEMBLY - 25 1/2" | 1 |
| 4 | 896650000 | STINGER LIFT CYLINDER | 1 |
| 5 | 9011610 | 3/8" HEX NIPPLE | 1 |
| 6 | 9011673 | 3/8 NPT X 9/16" JIC MALE CONNECTOR | 1 |
| 7 | 9012565 | MALE CONNECTOR 9/16"JIC X 9/16"SAE | 1 |
| 8 | 3015713 | COUNTERBALANCE VALVE | 1 |
| 9 | 9015733 | 3 SECTION VALVE | 1 |
| 10 | 9011534 | 3/8 NPT X 9/16" JIC MALE 90 L | 1 |
| 11 | 9011501 | 3/8 NPT X 9/16" JIC MALE 90° | 1 |

Section VI - REPLACEMENT PARTS (cont'd)

UNDERLIFT EXTEND CYLINDER HYDRAULIC COMPONENTS

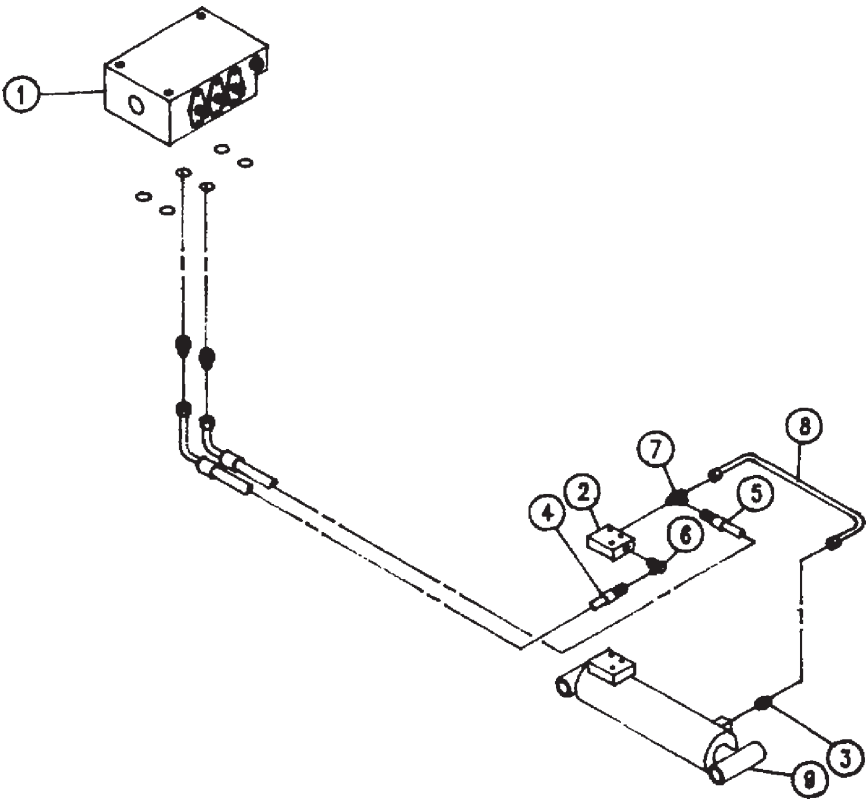


Section VI - REPLACEMENT PARTS (cont'd)
UNDERLIFT EXTEND CYLINDER HYDRAULIC COMPONENTS

| ID NO | PART NO | DESCRIPTION | QTY |
|----------|------------|------------------------------------|-----|
| 1 | 9015733 | 3 SECTION VALVE | 1 |
| 2 | 896700000 | STINGER EXTENSION CYLINDER | 1 |
| 3 | 9012565 | MALE CONNECTOR 9/16"JIC X 9/16"SAE | 2 |
| 4 | 880010026 | HYDRAULIC TUBE ASSEMBLY | 1 |
| 5 | 880010025 | HYDRAULIC TUBE ASSEMBLY | 1 |
| 6 | 880010015 | HYDRAULIC HOSE ASSEMBLY - 57" | 1 |
| 7 | 880010016 | HYDRAULIC HOSE ASSEMBLY - 57" | 1 |
| 8 | 9011653 | STRAIGHT MALE CONNECTOR. | 2 |

Section VI - REPLACEMENT PARTS (cont'd)

UNDERLIFT TILT CYLINDER HYDRAULIC COMPONENTS

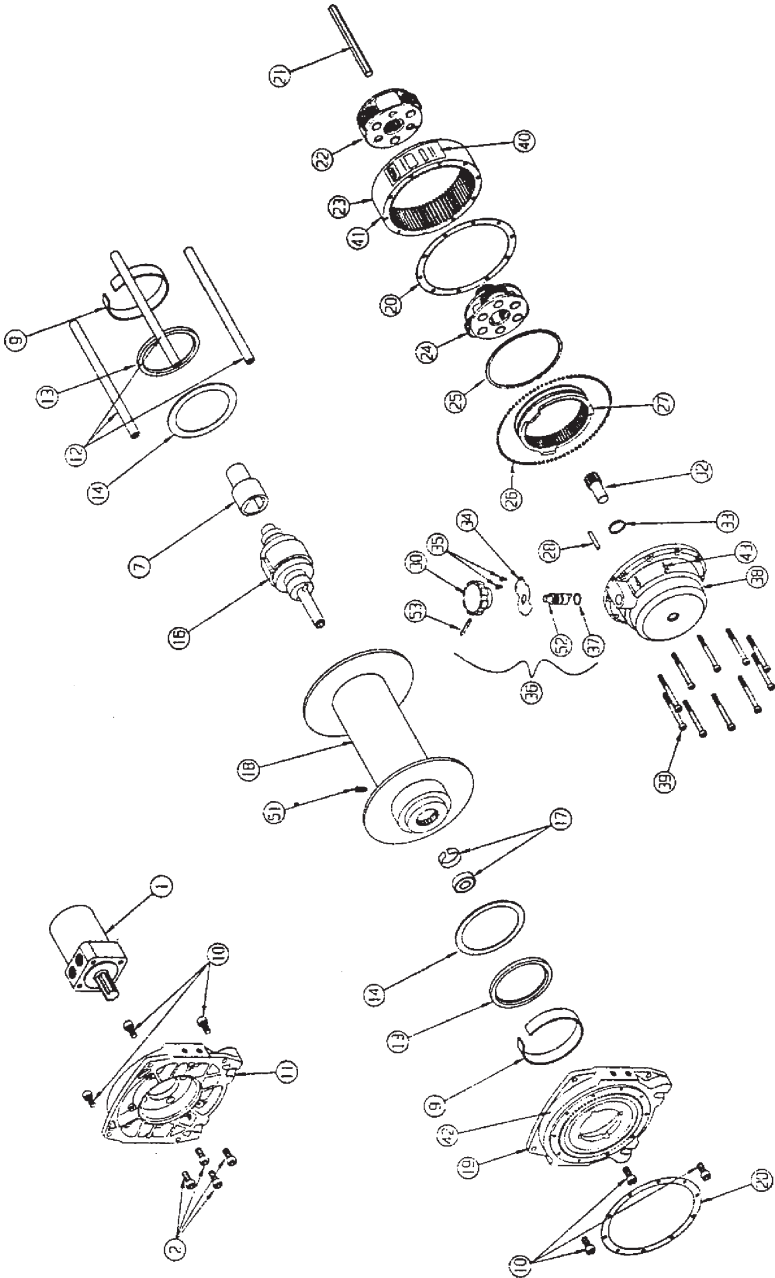


Section VI - REPLACEMENT PARTS (cont'd)
UNDERLIFT TILTT CYLINDER HYDRAULIC COMPONENTS

| ID NO | PART NO | DESCRIPTION | QTY |
|----------|------------|---------------------------------|-----|
| 1 | 9015733 | 3 SECTION VALVE | 1 |
| 2 | 896700000 | STINGER EXTENSION CYLINDER | 1 |
| 3 | 9012565 | CONNECTOR 9/16" JIC X 9/16" SAE | 2 |
| 4 | 880010026 | HYDRAULIC TUBE ASSEMBLY | 1 |
| 5 | 880010025 | HYDRAULIC TUBE ASSEMBLY | 1 |
| 6 | 880010015 | HYDRAULIC HOSE ASSEMBLY - 57" | 1 |
| 7 | 880010016 | HYDRAULIC HOSE ASSEMBLY - 57" | 1 |
| 8 | 9011653 | STRAIGHT MALE CONNECTOR. | 2 |

Section VI - REPLACEMENT PARTS (cont'd)

WINCH PARTS



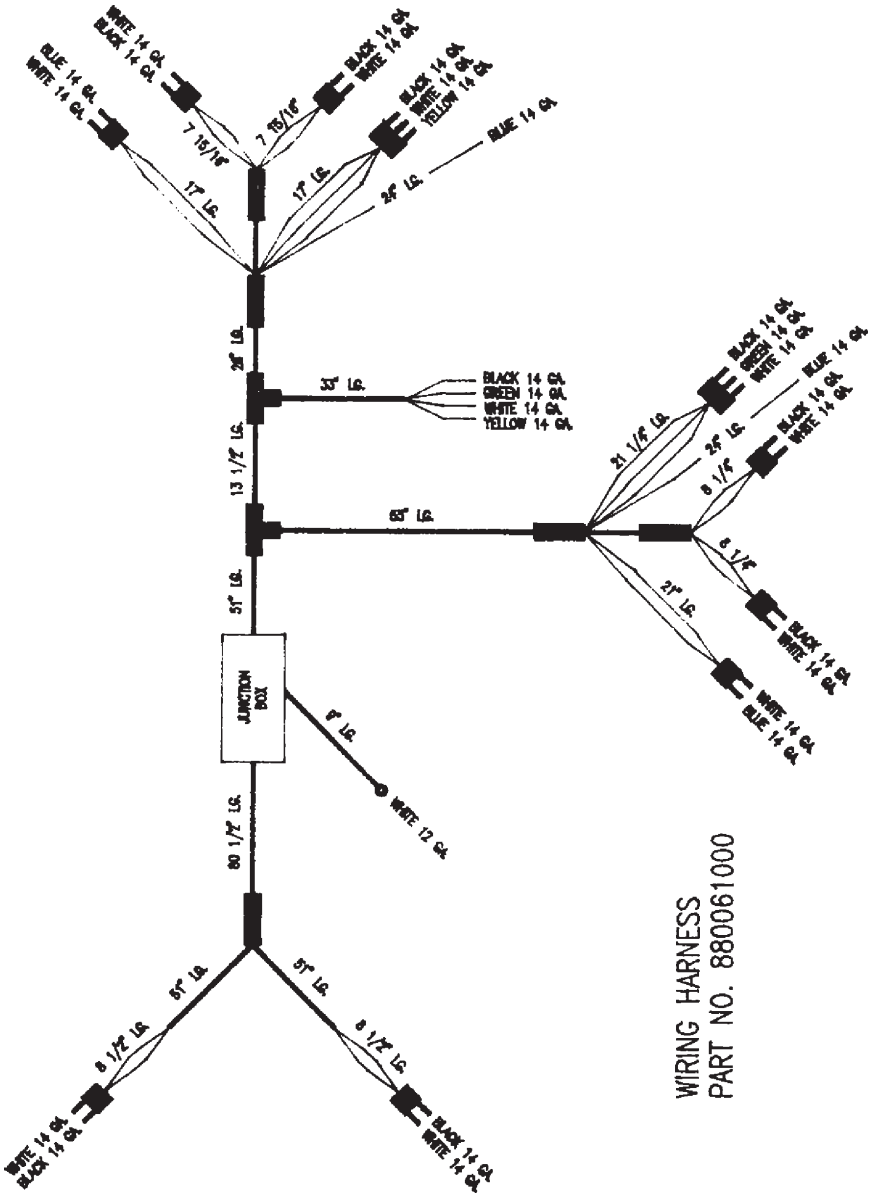
Section VI - REPLACEMENT PARTS (cont'd)

WINCH PARTS

| ID NO | PART NO | DESCRIPTION | QTY |
|-------|---------|------------------------------------|-----|
| 1 | 30305 | HYDRAULIC MOTOR, 4.8 CU. IN. | 1 |
| | 30345 | HYDRAULIC MOTOR, 5.9 CU. IN. | 1 |
| 2 | 30328 | 3/8"-16 X 3/4"LG. SOCKET HHC SCREW | 4 |
| 7 | 30259 | BRAKE, DRIVER, HYDRAULIC | 1 |
| 9 | 30274 | DRUM BUSHING, NYLON | 2 |
| 10 | 30328 | 3/8"-16 X 3/4"LG. SOCKET HHC SCREW | 6 |
| 11 | 31670 | DRUM SUPPORT ASSEMBLY | 1 |
| 12 | 30268 | TIE ROD, LONG DRUM | 3 |
| 13 | 30275 | OIL SEAL, RADIAL | 2 |
| 14 | 30277 | THRUST WASHER, NYLON | 2 |
| 16 | 31673 | BRAKE ASSEMBLY, CCW HYDRAULIC | 1 |
| | 31674 | BRAKE ASSEMBLY, CW HYDRAULIC | 1 |
| 17 | 31612 | BALL BEARING | 1 |
| 18 | 31671 | LONG DRUM ASSEMBLY | 1 |
| 19 | 31675 | DRUM SUPPORT | 1 |
| 20 | 14964 | GASKET | 2 |
| 21 | 30313 | HEX SHAFT, LONG DRUM | 1 |
| 22 | 30336 | CARRIER ASSEMBLY | 1 |
| 23 | 31679 | RING GEAR ASSEMBLY | 1 |
| 24 | 24563 | CARRIER ASSEMBLY | 1 |
| 25 | 30326 | RETAINING RING | 1 |
| 26 | 22350 | 3/16" DIA. STEEL BALL SET | 1 |
| 27 | 14916 | CLUTCH RING GEAR | 1 |
| 28 | 30323 | CLUTCH RETAINER | 1 |
| 30 | 10322 | CLUTCH KNOB | 1 |
| 32 | 16149 | SUN GEAR, INPUT | 1 |
| 33 | 21009 | THRUST PLATE | 1 |
| 34 | 30327 | SAFETY LATCH | 1 |
| 35 | 30332 | #10-24 X 3"LG. HEX HD CAP SCREW | 2 |
| 36 | 32056 | CLUTCH KNOB ASSEMBLY | 1 |
| 37 | 15605 | SEAL, O-RING | 1 |
| 38 | 31684 | GEAR HOUSING ASSEMBLY | 1 |
| 39 | 15603 | 1/4"-20 X 3"LG. HEX HD CAP SCREW | 10 |
| 40 | 27896 | LABEL, NAMEPLATE | 1 |
| 41 | 30343 | LABEL, WARNING | 1 |
| 42 | 30331 | LABEL, DRUM ROTATION | 1 |
| 43 | 30341 | LABEL, CLUTCH LEVER | 1 |
| 51 | 27424 | M10 SET SCREW | 1 |
| 52 | 30316 | CLUTCH SHAFT | 1 |
| 53 | 30342 | 5/32" X 1" ROLL PIN | 1 |
| 54 | 28514 | M12 X 1.75 BOLT | 8 |
| 55 | 9213 | 1/2" FLAT WASHER | 8 |

Section VI - REPLACEMENT PARTS (cont'd)

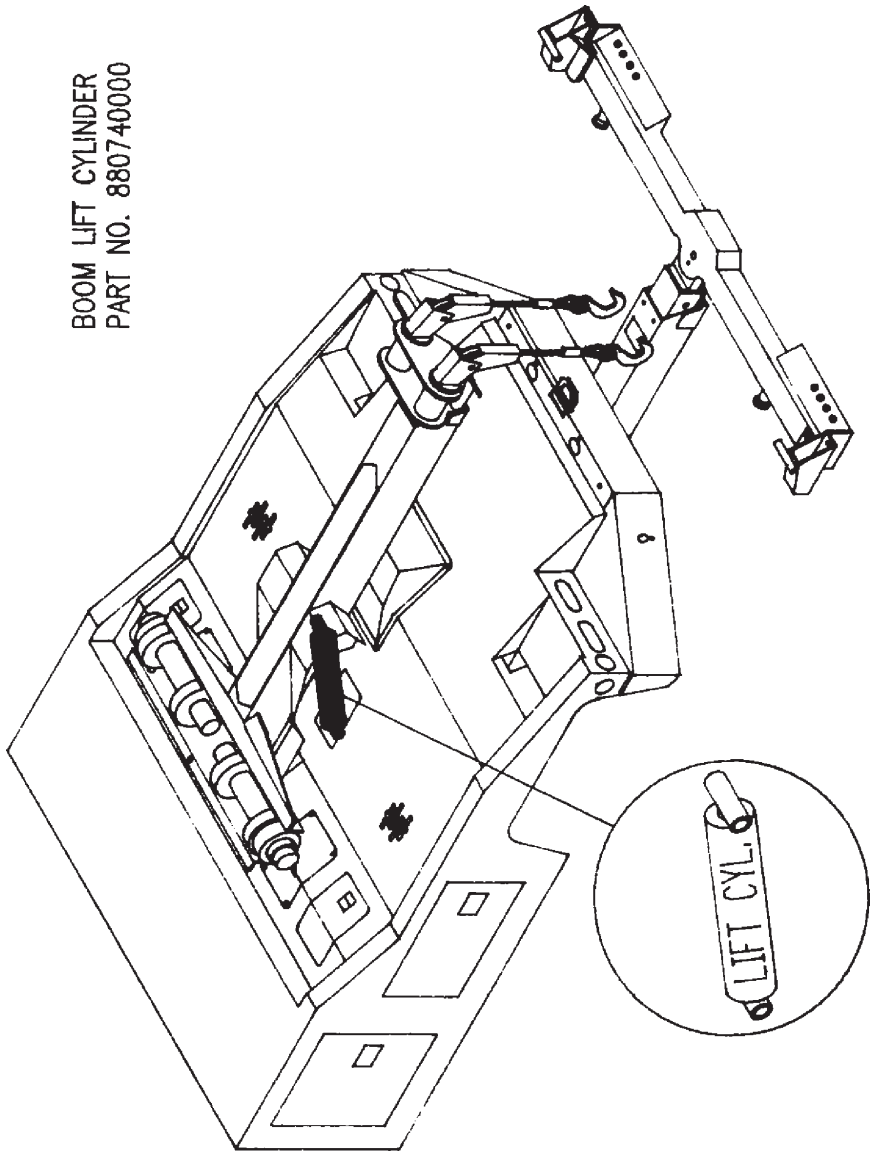
WIRING HARNESS



Section VI - REPLACEMENT PARTS (cont'd)

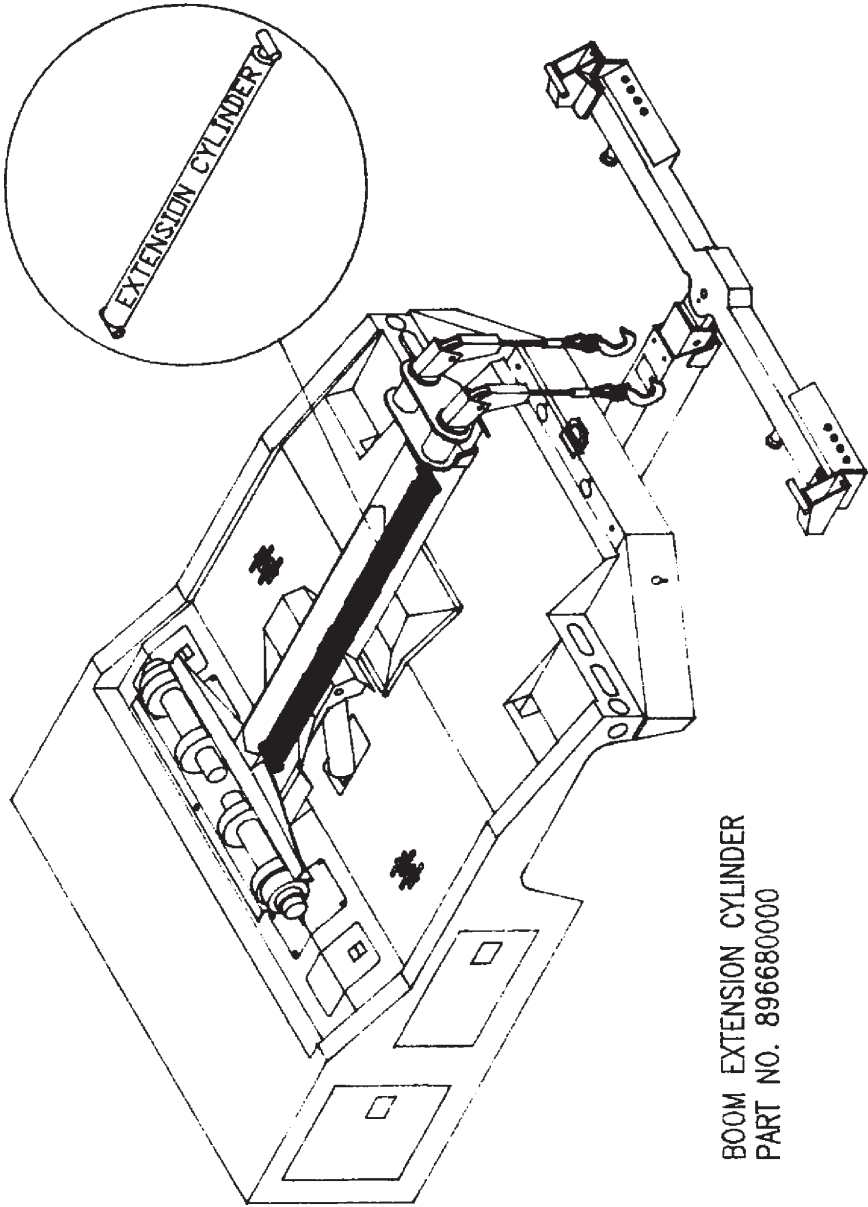
880740000 BOOM LIFT CYLINDER

BOOM LIFT CYLINDER
PART NO. 880740000



Section VI - REPLACEMENT PARTS (cont'd)

896680000 BOOM EXTENSION CYLINDER

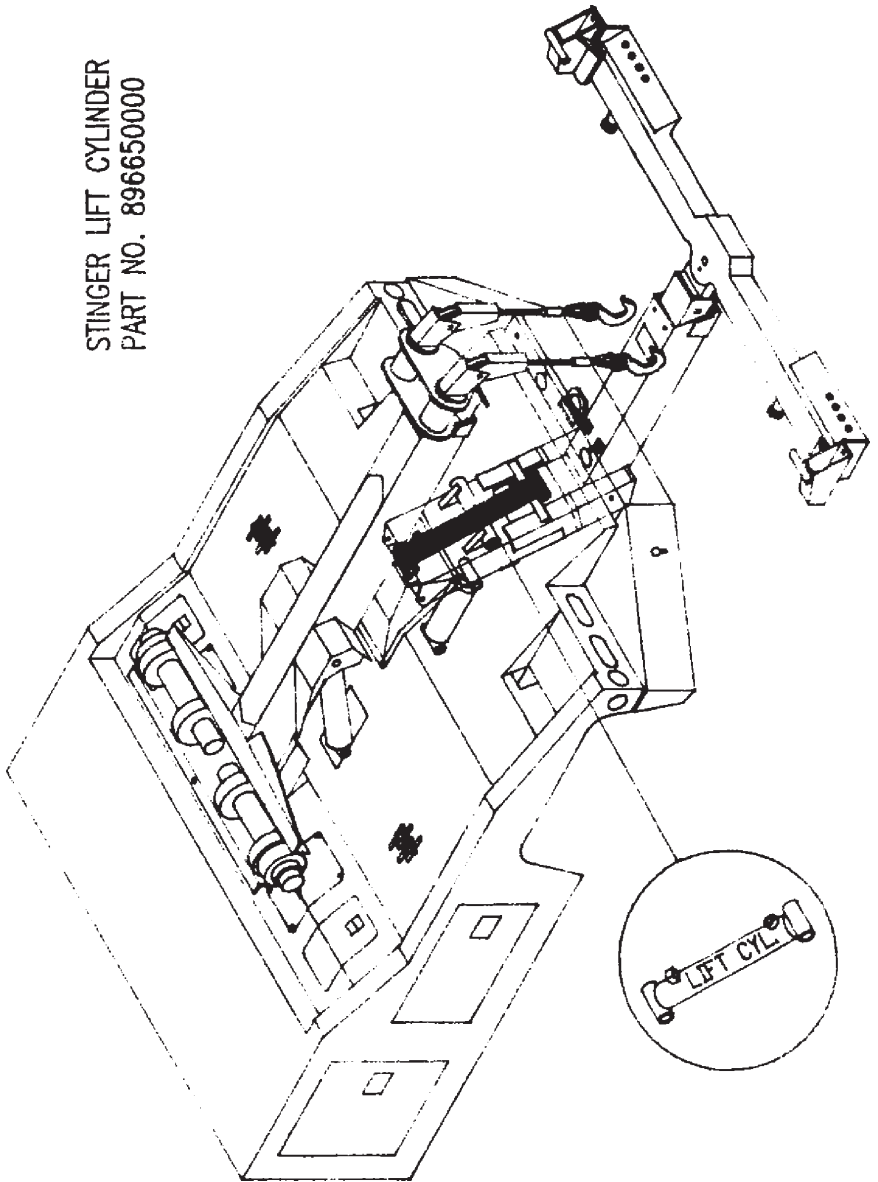


BOOM EXTENSION CYLINDER
PART NO. 896680000

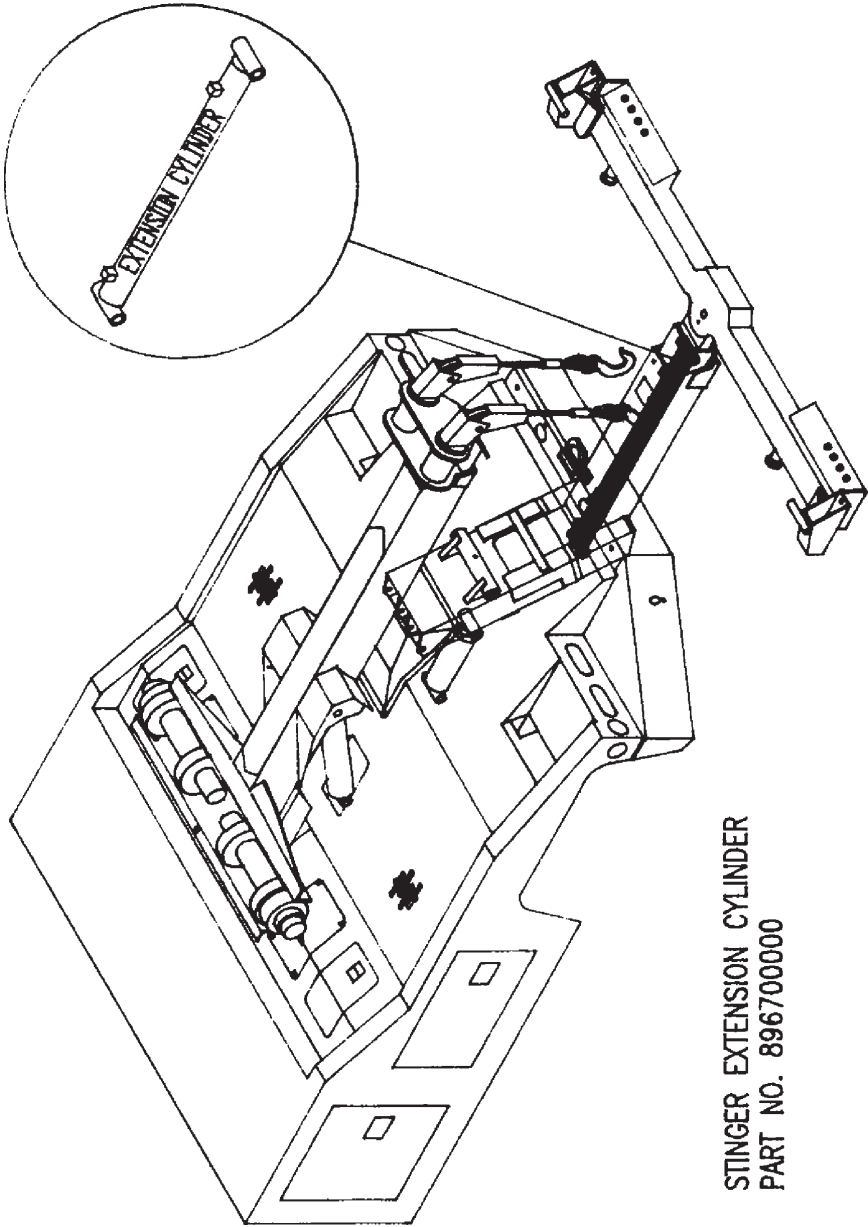
Section VI - REPLACEMENT PARTS (cont'd)

896650000 STINGER LIFT CYLINDER

STINGER LIFT CYLINDER
PART NO. 896650000



Section VI - REPLACEMENT PARTS (cont'd)
89670000 STINGER EXTENSION CYLINDER

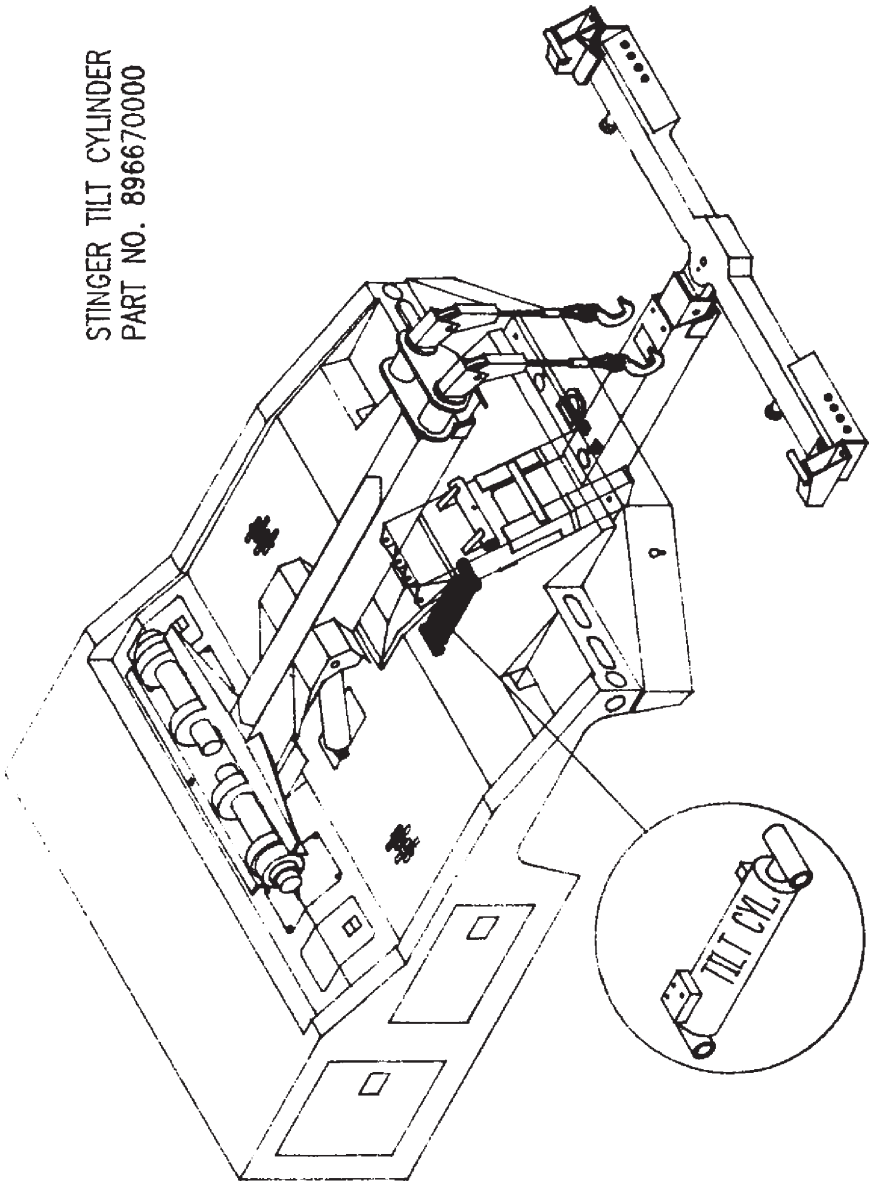


STINGER EXTENSION CYLINDER
PART NO. 896700000

Section VI - REPLACEMENT PARTS (cont'd)

896670000 STINGER TILT CYLINDER

STINGER TILT CYLINDER
PART NO. 896670000





Miller Industries Towing Equipment Inc.
8503 Hilltop Drive • Ooltewah, Tennessee 37363 • (423) 238-7227
www.millerind.com