



## OWNER'S MANUAL

6807/8807/9907 SDU2

### INSTALLATION, OPERATION, MAINTENANCE & PARTS

**NOTE: MANUAL including SPECIFICATIONS, subject to change without notice  
All ratings specified are based on structural factors only,  
not vehicle capacities or capabilities.**

***CHALLENGER***<sup>®</sup>

Miller Industries Towing Equipment Inc.  
8503 Hilltop Drive  
Ooltewah, Tennessee 37363

FORM NO. 0501165  
01 / 02

Phone (423) 238-4171 • FAX (423) 238-5371

PRICE \$25.00

## LIMITED WARRANTY

MILLER INDUSTRIES TOWING EQUIPMENT INC., hereinafter referred to as MILLER, warrants to the original purchaser that each new MILLER wrecker or other MILLER products will be free from defects in material and workmanship for a period of twelve (12) months from date placed in service, but in no event shall such warranty period exceed twenty-four (24) months from date of manufacture by MILLER. The purchaser must promptly notify MILLER in writing of any failure in material or workmanship. In no event shall MILLER accept such notification later than twenty-four (24) months from date of delivery or twelve (12) months from date placed in service, whichever is earlier.

MILLER's obligation under this warranty, statutory or otherwise, is limited to the repair or replacement at the MILLER factory, or at a point designated by MILLER, of such part or parts as shall appear upon inspection by MILLER to be defective in material or workmanship. New or remanufactured parts will be used for any replacement at MILLER's option. This warranty is not transferable. This warranty does not obligate MILLER to bear the cost of labor or transportation charges in connection with the repair or replacement of any parts found to be defective, nor shall it apply to a product upon which repairs or alterations have been made unless authorized by MILLER.

EXCEPT AS EXPRESSLY SET FORTH IN THIS WARRANTY, MILLER MAKES NO OTHER WARRANTY, EXPRESS OR IMPLIED, AND HEREBY DISCLAIMS ALL OTHER WARRANTIES INCLUDING, BUT NOT LIMITED TO, THE IMPLIED WARRANTIES OF MERCHANTABILITY AND FITNESS FOR A PARTICULAR PURPOSE. MILLER shall in no event be liable for claimed downtime, claimed loss of profits or goodwill, or any other special, incidental, indirect, or consequential damages concerning or relating to any product or parts, whether based on negligence, strict liability, breach of contract, breach of warranty, misrepresentation or any other legal theory, regardless of whether the loss resulted from any general or particular requirement which MILLER knew or had reason to know about at the time of sale.

MILLER MAKES NO WARRANTY, EXPRESS OR IMPLIED, AS TO THE FINISHED PRODUCTS MANUFACTURED OR SUPPLIED BY ANOTHER MANUFACTURER AND SUPPLIED BY MILLER TO PURCHASER, including, but not limited to, any vehicle to which a MILLER product may be affixed or any accessories or wire rope, and MILLER EXPRESSLY DISCLAIMS ANY IMPLIED WARRANTIES OF MERCHANTABILITY OR FITNESS FOR A PARTICULAR PURPOSE AS TO SUCH EQUIPMENT OR PRODUCTS. This language shall in no way affect or diminish the rights of the purchaser to rely on such warranties as are extended by such manufacturers or suppliers. MILLER shall, to the extent permitted under applicable law, pass on to the purchaser such manufacturer's or seller's warranty.

MILLER, whose policy is one of continuous improvement, reserves the right to improve its products through changes in design or materials as it may deem desirable without being obligated to incorporate such changes in products previously sold. This warranty is not intended to cover or include the following items, which are set forth by way of example and not limitation:

- A. Normal deterioration of trim, paint, lettering, and appearance items due to wear or exposure to weather, road conditions, road treatments, etc.
- B. Any damage or defect due to accident, misuse, abuse, improper or unauthorized repairs, failure to provide reasonable and necessary maintenance, or uses for which the equipment was not designed or intended.
- C. Alterations or modifications that affect performance, operation or reliability.
- D. Normal maintenance parts including, but not limited to, wear pads, bushings, wire rope, mud flaps, fenderettes, light bulbs, hydraulic oil, filters, and tow sling belts.

**IT IS EXPRESSLY UNDERSTOOD THAT MILLER MAKES NO IMPLIED WARRANTY THAT MILLER PRODUCTS SHALL BE FIT FOR THE PURPOSE OF LIFTING OR MOVING PEOPLE OR FOR ANY OTHER IMPROPER USE.**



Miller Industries Towing Equipment Inc.  
8503 Hilltop Drive  
Ooltewah, Tennessee 37363

Telephone (423) 238-4171

**SERIAL NUMBER**

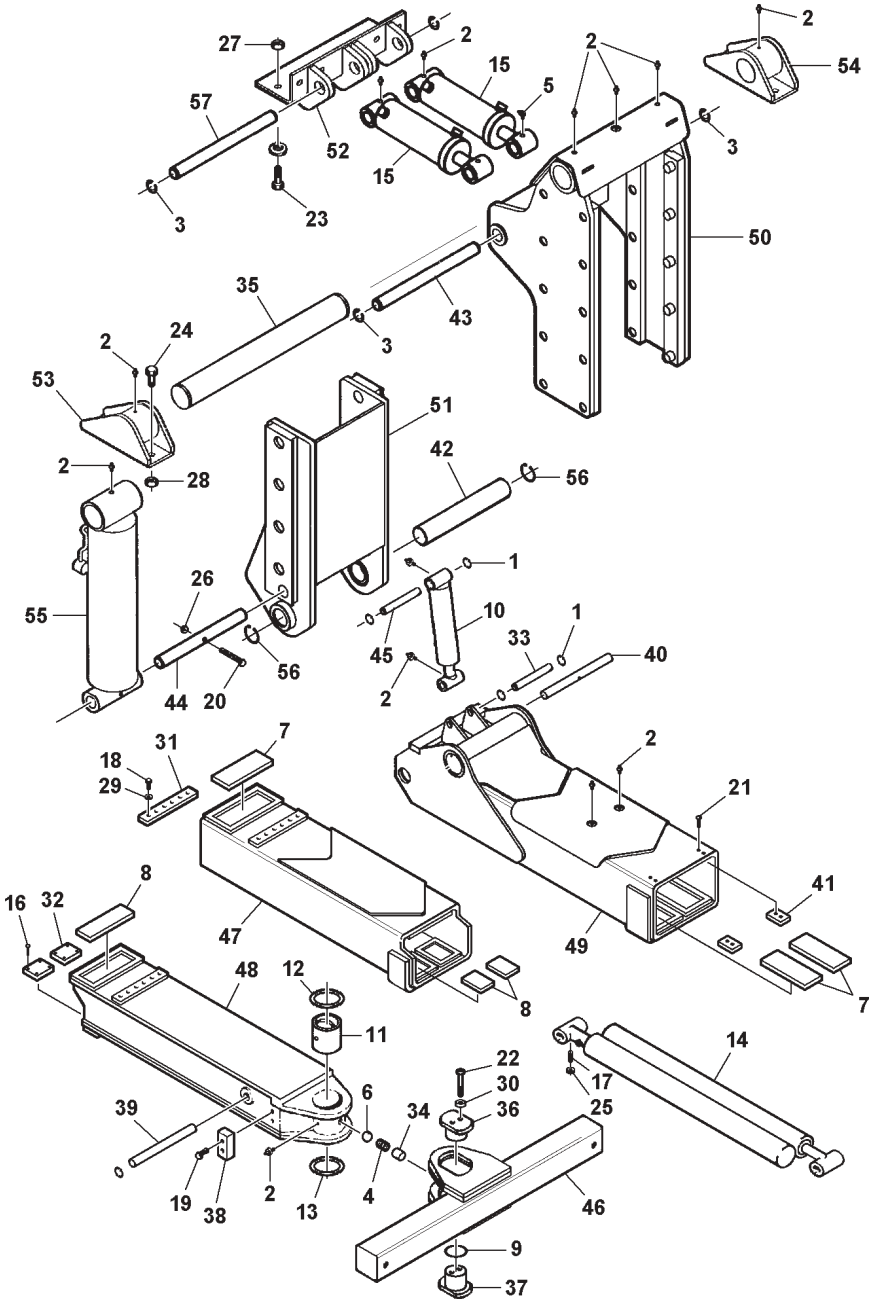
## Section VI - PARTS (cont'd)

### BODY ASSEMBLY

REF. NO.	NO. REQ'D	PART NUMBER	DESCRIPTION
1	28 FT.	0300345	RUBBER FENDER
2	2	VA0588	MUDFLAP
3	6	0301912	DOOR CHECK, 11"
4	2	0301934	DOOR STOP
5	1	0302562	LIGHT BAR, DELUXE (OPTIONAL)
6	6 ft.	0303056	"D" GASKET (NOT SHOWN)
7	1	0303708	LEFT TOOL COMPARTMENT, 156" C.B.
8	1	0303709	RIGHT TOOL COMPARTMENT, 156" C.B.
9	1	0303061	BACK UP ALARM (NOT SHOWN)
10	2	0400016	SCREW, #8-32 x 1" FL PHIL HD
11	6	0400035	SCREW, #10-24 X 1/2" OVAL HD SELF-TAP
12	6	0400061	SCREW, 1/4"-20 X 3/4" PAN HD SLOTTED
13	6	0400066	SCREW, 1/4"-20 X 3/4" HEX HD CAP
14	8	0400122	SCREW, 3/8"-16 X 1-1/4" HEX HD CAP
15	38	0400288	SCREW, 3/4"-10 X 2-1/2" HEX HD CAP GR8
16	6	0400369	CLIP, 1/4" TINNERMAN
17	8	0400392	NUT, 3/8"-16 NYLOK HEX
18	38	0400431	NUT, 3/4"-10 NYLOK HEX GR8
19	6	0400451	WASHER, 1/4" FLAT
20	76	0400566	RIVET, 1/4"
21	2	DE0186	CHALLENGER NAMEPLATE
22	1	0705090	MUDFLAP MTG ANGLE, LEFT
23	1	0705091	MUDFLAP MTG ANGLE, RIGHT
24	2	0705092	BAR, MUDFLAP
25	4	0706609	RETAINING STRIP, FENDER
26	2	0707174	TAILGATE MOUNTING ANGLE
27	2	0707175	MOUNTING PLATE
28	2	0709453	MOUNTING PLATE
29	2	0711286	SPACER, REAR FRAME BRACKET
30	1	0711289	SWITCH PANEL, RIGHT
31	1	0711290	CONTROL PANEL, RIGHT
32	2	0714176	GASKET, BASE ANGLE (NOT SHOWN)
33	2	0714177	GASKET (NOT SHOWN)
34	1	0714272	GAUGE PANEL
35	1	0714273	CONTROL PANEL
36	1	0802224	VERTICAL SUPPORT, L.H.
37	1	0802225	VERTICAL SUPPORT, R.H.
38	2	0802226	MOUNTING BRACKET
39	1	0802260	TOP CHANNEL

# Section VI - PARTS (cont'd)

## SDU/2 ASSEMBLY



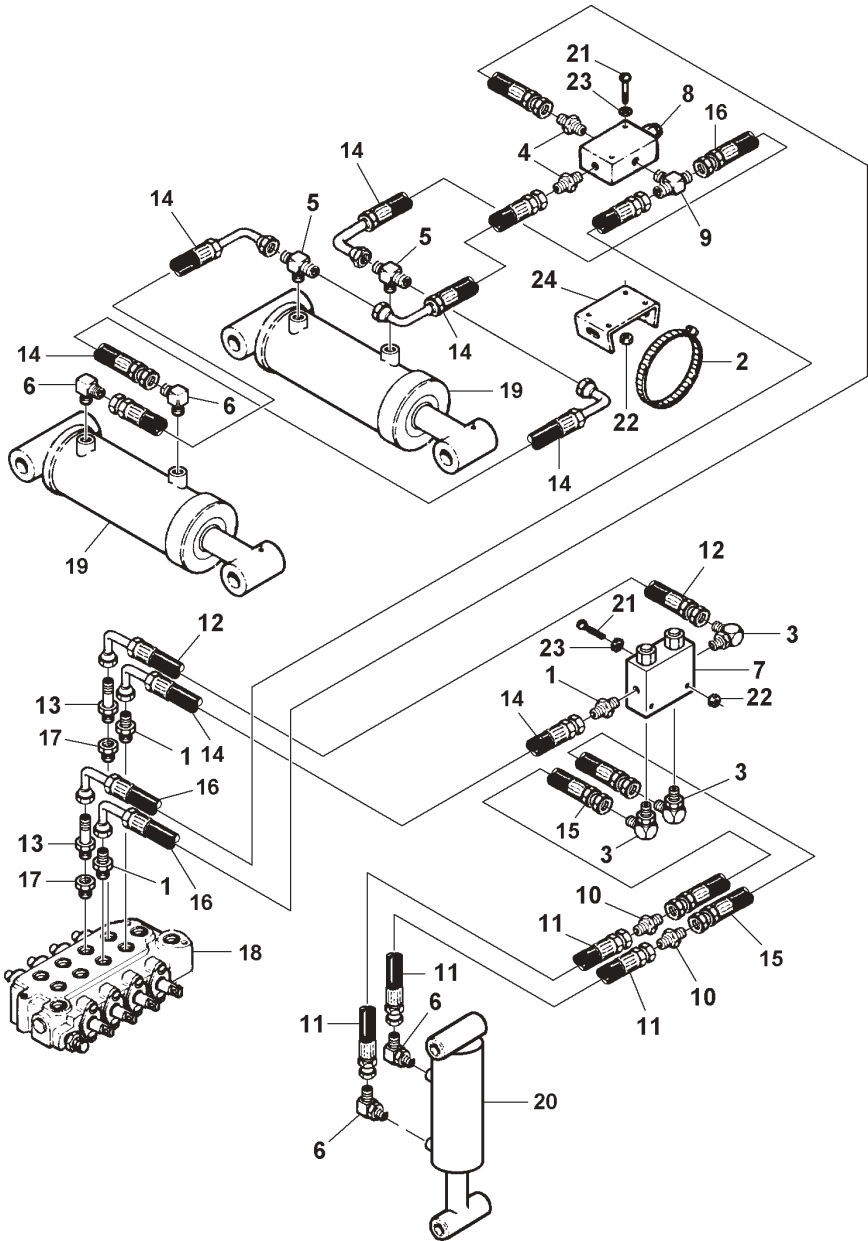
## Section VI - PARTS (cont'd)

### SDU/2 LIFT & EXTEND HYDRAULICS

REF. NO.	NO. REQ'D	PART NUMBER	DESCRIPTION
1	2	0300044	CONNECTOR, 6MJ-8MB
2	1	0300644	HOSE CLAMP, 8"
3	2	0301425	CONNECTOR, 6MJ-6MP
4	2	0301470	ELBOW, 6MJ-8MB90
5	2	0301620	ELBOW, 6MJ-6MB90
6	1	0301731	HOLDING VALVE
7	1	0301782	MALE RUN TEE, 6MJ-4MP-6MJ
8	2	0301998	HOSE ASSEMBLY, 24"
9	2	0302065	CAP, 6MJ
10	2	0302510	ADAPTER, 6MJ-6MBL
11	2	0302575	BULKHEAD RUN TEE, 6MJ
12	2	0303017	CONNECTOR, 8MB-6FB
13	1	0303093	CONTROL VALVE, VDP11DDDC110
14	2	0303170	HOSE ASSEMBLY, 75"
15	2	0303187	HOSE ASSEMBLY, 141"
16	1	0303501	EXTEND CYLINDER
17	1	0303967	HOSE ASSEMBLY, 7"
18	1	0303968	HOSE ASSEMBLY, 10"
19	2	0400078	SCREW, 1/4"-20 X 2" HEX HD CAP
20	2	0400367	NUT, 1/4"-20 HEX NYLOK
21	2	0400451	WASHER, 1/4" FLAT
22	1	0703001	BRACKET, CHECK VALVE MOUNTING
23	1	HC0159	LIFT CYLINDER

# Section VI - PARTS (cont'd)

## SDU/2 TILT & FOLD HYDRAULICS



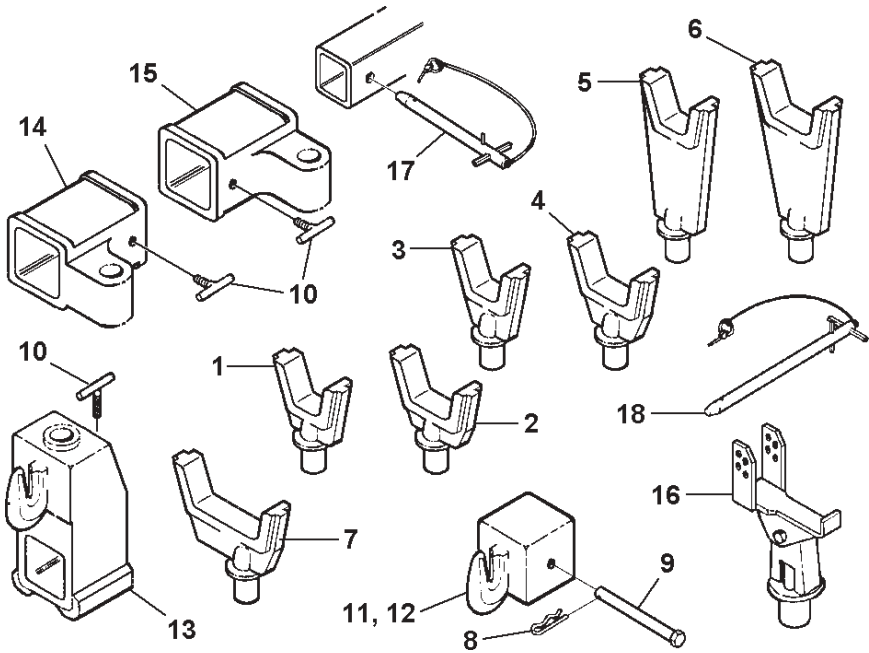
## Section VI - PARTS (cont'd)

### SDU/2 TILT & FOLD HYDRAULICS

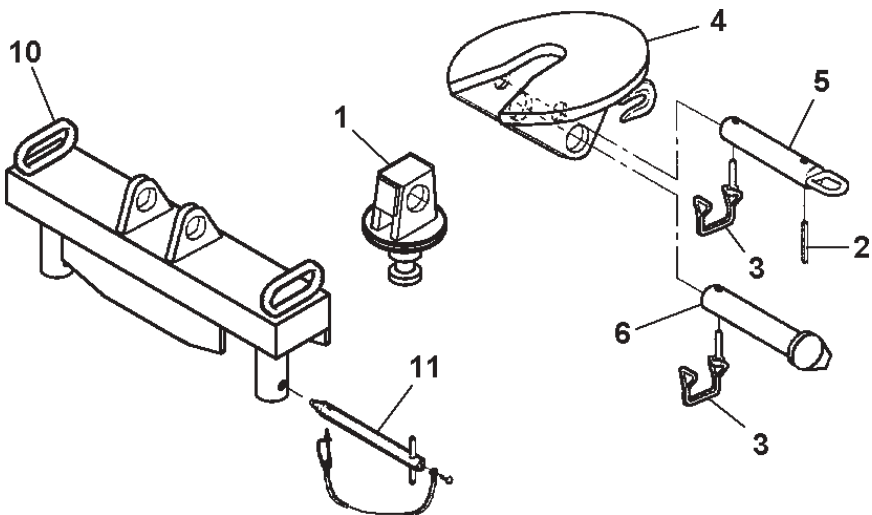
REF. NO.	NO. REQ'D	PART NUMBER	DESCRIPTION
1	2	0300044	CONNECTOR, 6MJ-8MB
2	1	0300365	CLAMP, CHECK VALVE RETAINING, 7"
3	3	0301388	ELBOW, 8MJ-8MB90
4	2	0301425	CONNECTOR, 6MJ-6MP
5	2	0301619	BRANCH TEE, 6MJ-6MJ-6MB
6	2	0301620	ELBOW, 6MJ-6MB90
7	1	0301730	DOUBLE HOLDING VALVE
8	1	0301731	HOLDING VALVE
9	1	0301782	MALE RUN TEE, 6MJ-4MP-6MJ
10	2	0301837	INLINE ORIFICE
11	2	0301997	HOSE ASSEMBLY, 18"
12	1	0301998	HOSE ASSEMBLY, 24"
13	2	0302510	ADAPTER, 6MJ-6MBL
14	5	0302808	HOSE ASSEMBLY, 18"
15	2	0302813	HOSE ASSEMBLY, 108"
16	2	0302886	HOSE ASSEMBLY, 45"
17	2	0303017	CONNECTOR, 8MB-6FB
18	1	0303093	CONTROL VALVE, VDP11DDDC110
19	2	0303902	TILT CYLINDER
20	1	0306508	FOLD CYLINDER
21	6	0400078	SCREW, 1/4"-20 X 2" HEX HD CAP
22	6	0400367	NUT, 1/4"-20 HEX NYLOK
23	2	0400451	WASHER, 1/4" FLAT
24	2	0703001	BRACKET, CHECK VALVE MOUNTING

# Section VI - PARTS (cont'd)

## SDU/2 LIFT ADAPTERS



## KING PIN & FIFTH WHEEL ADAPTERS





## Section VI - PARTS (cont'd)

### SDU LIFT ADAPTERS

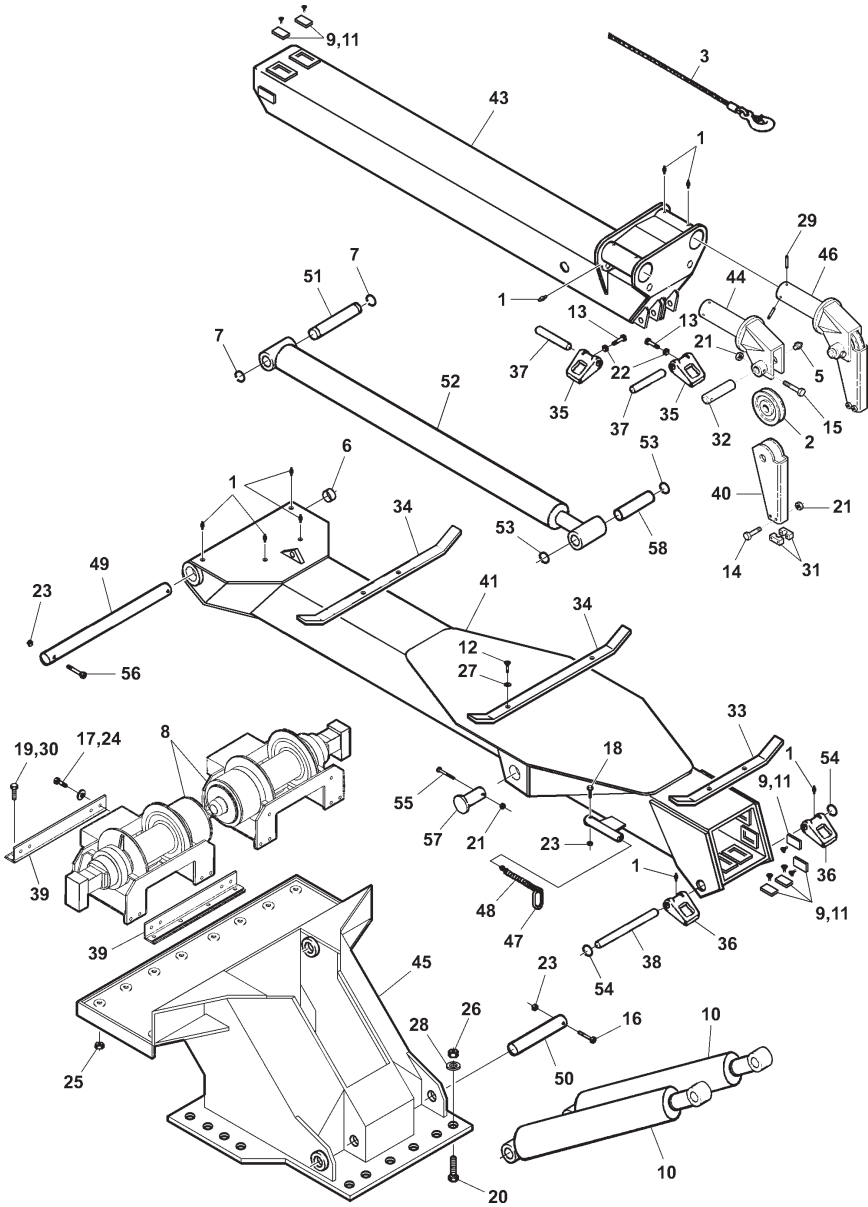
REF. NO.	NO. REQ'D	PART NUMBER	DESCRIPTION
1	2	0200018	FORK, SHORT 3" OPENING
2	2	0200019	FORK, SHORT 4-1/2" OPENING
3	2	0200020	FORK, MEDIUM 3" OPENING
4	2	0200021	FORK, MEDIUM 4-1/2" OPENING
5	2	0200022	FORK, LONG 3" OPENING
6	2	0200023	FORK, LONG 4-1/2" OPENING
7	2	0200024	FORK, OFFSET REAR AXLE 6" OPENING
8	4	0306564	TEE HANDLE, ALUMINUM 5/8" X 1-1/4"
9	2	0400585	HAIR PIN COTTER, 1-1/4"
10	2	0711002	BOLT, MODIFIED 5/8"-11 X 6" w/HOLE
11	1	0801186	CHAIN HOOK ADAPTER, RT
12	1	0801187	CHAIN HOOK ADAPTER, LT
13	2	0801459	RISER BRACKET
14	1	0803591	OFFSET FORK ADAPTER, LT
15	1	0803592	OFFSET FORK ADAPTER, RT
16	2	0802810	SPRING LIFT BRACKET
17	2	0900900	RETAINING PIN ASSEMBLY
18	2	0902321	RETAINER PIN, SPRING LIFT BRACKET

### KING PIN & FIFTH WHEEL ADAPTERS

REF. NO.	NO. REQ'D	PART NUMBER	DESCRIPTION
1	1	0803605	KING PIN ADAPTER WELDMENT
--	--	0902782	FIFTH WHEEL ADAPTER (COMPLETE)
2	1	0400555	ROLL PIN, 3/8" X 1-1/2"
3	2	HD1259	PIN, SNAPPER
4	1	VA0660	5TH WHEEL PIVOT PLATE WELDMENT
5	1	VA0661	PULL PIN WELDMENT
6	1	VA0662	PIVOT PIN WELDMENT
--	--	124002211	PINTLE HOOK KIT (COMPLETE)
7	1	0302198	PINTLE HOOK (Not Shown)
8	4	0400176	SCREW, 1/2"-13 X 1" HEX HD CAP
9	4	0400491	LOCKWASHER, 1/2" HELICAL
10	1	0803604	5TH WHEEL, KING PIN ADAPTER & PINTLE HOOK BRACKET
11	2	0902378	RETAINING PIN ASSEMBLY

# Section VI - PARTS (cont'd)

## 6807 RECOVERY BOOM ASSEMBLY



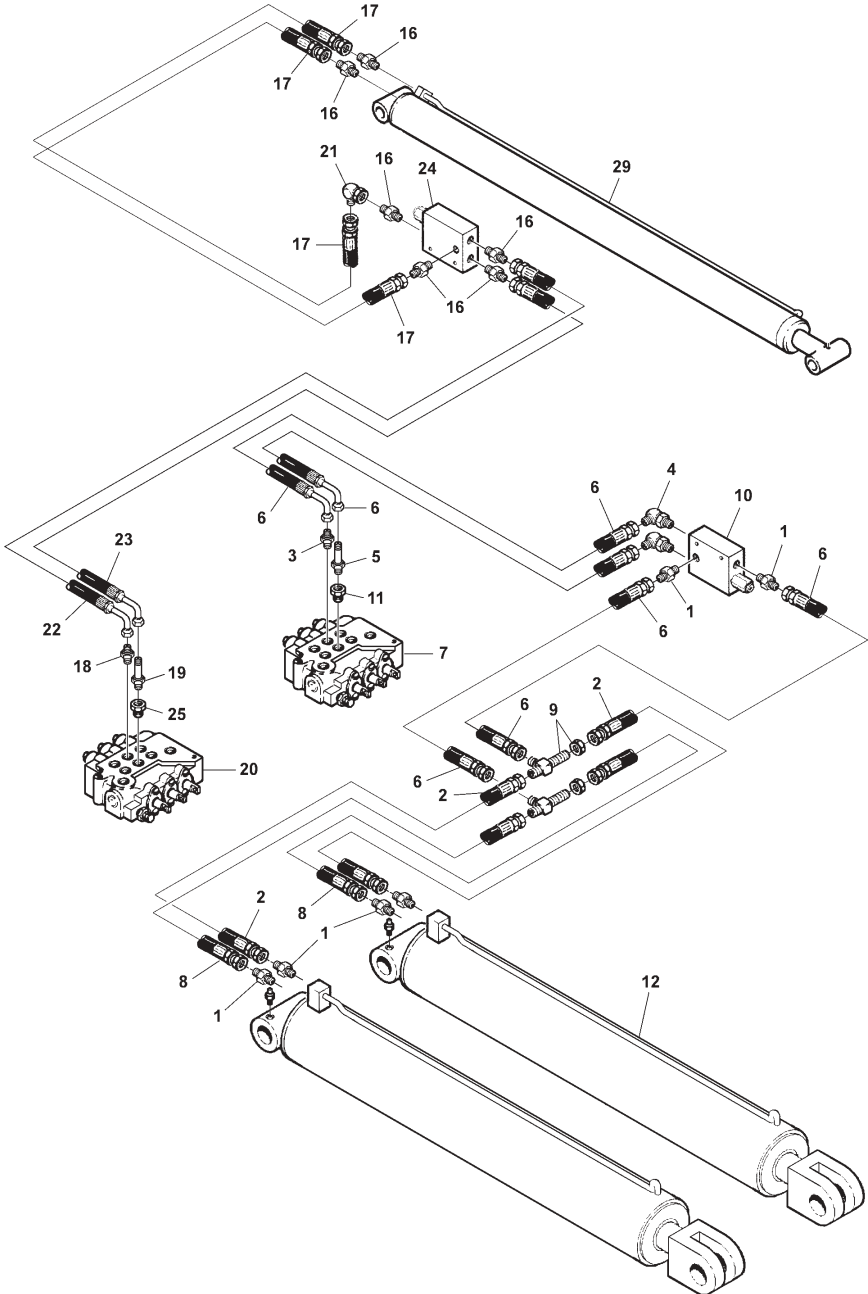
## Section VI - PARTS (cont'd)

### 6807 RECOVERY BOOM HYDRAULICS

REF. NO.	NO. REQ'D	PART NUMBER	DESCRIPTION
			LIFT HYDRAULICS
1	4	0300041	CONNECTOR, 8MJ-8MB
2	2	0300365	CLAMP, CHECK VAVLE RETAINING, 7"
3	2	0300787	HOSE ASSEMBLY, 53"
4	1	0301376	CONNECTOR, 8MJ-10MB
5	2	0301388	ELBOW, 8MJ-8MP90
6	1	0301445	EXTENDED CONNECTOR, 8MJ-8MB
7	4	0301893	HOSE ASSEMBLY, 84"
8	1	0302296	CONTROL VALVE, VDP12CDD118
9	2	0302568	TUBING, HYDRAULIC
10	2	0302574	BULKHEAD RUN TEE
11	2	0302797	ELBOW, 8MJ-4MP90
12	2	0302930	CONNECTOR, 8MJ-6MP
13	4	0302955	HOSE ASSEMBLY, 48-1/4"
14	1	0303165	HOLDING VALVE
15	1	0303176	ADAPTER, 10MB-8FB
16	1	0306881	MALE BRANCH TEE
17	2	0306950	LIFT CYLINDER
18	4	0400078	SCREW, 1/4"-20 X 2" RD HD SLOTTED
19	4	0400367	NUT, 1/4"-20 HEX
20	4	0400451	WASHER, 1/4" FLAT
21	1	0703001	BRACKET, CHECK VALVE MOUNTING
			EXTEND HYDRAULICS
22	2	0300041	CONNECTOR, 8MJ-8MB
23	2	0300659	HOSE ASSEMBLY, 45"
24	1	0301376	CONNECTOR, 8MJ-10MB
25	2	0301388	ELBOW, 8MJ-8MP90
26	1	0301445	EXTENDED CONNECTOR, 8MJ-8MB
27	1	0302296	CONTROL VALVE, VDP12CDD118
28	1	0302488	ELBOW, 8MJ-8FJX90
29	1	0302950	HOSE ASSEMBLY, 100"
30	1	0302951	HOSE ASSEMBLY, 100"
31	1	0303165	HOLDING VALVE
32	1	0303176	ADAPTER, 10MB-8FB
33	1	0306881	MALE BRANCH TEE
34	2	0400078	SCREW, 1/4"-20 X 2" RD HD SLOTTED
35	2	0400367	NUT, 1/4"-20 HEX
36	2	0400451	WASHER, 1/4" FLAT
37	1	HC0163	CYLINDER, EXTEND

# Section VI - PARTS (cont'd)

## 8807 RECOVERY BOOM HYDRAULICS



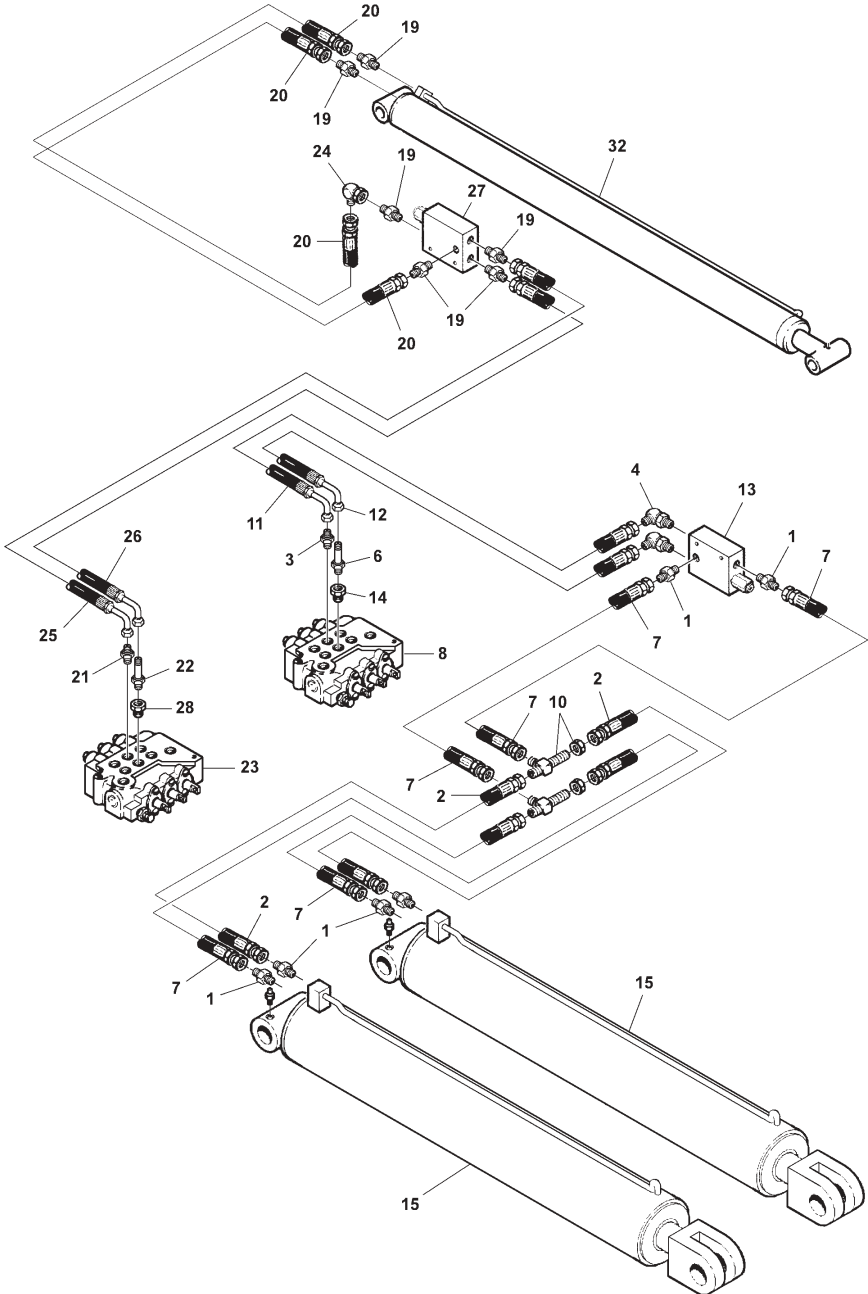
## Section VI - PARTS (cont'd)

### 8807 RECOVERY BOOM HYDRAULICS

REF. NO.	NO. REQ'D	PART NUMBER	DESCRIPTION
			LIFT HYDRAULICS
1	6	0300041	CONNECTOR, 8MJ-8MB
2	2	0300659	HOSE ASSEMBLY, 45"
3	1	0301376	CONNECTOR, 8MJ-10MB
4	2	0301388	ELBOW, 8MJ-8MP90
5	1	0301445	EXTENDED CONNECTOR, 8MJ-8MB
6	4	0301893	HOSE ASSEMBLY, 84"
7	1	0302296	CONTROL VALVE, VDP12CDD118
8	2	0302304	HOSE ASSEMBLY, 42"
9	2	0302574	BULKHEAD RUN TEE
10	1	0303165	HOLDING VALVE
11	1	0303176	ADAPTER, 10MB-8FB
12	2	0307130	LIFT CYLINDER
13	4	0400078	SCREW, 1/4"-20 X 2" RD HD SLOTTED
14	4	0400367	NUT, 1/4"-20 HEX
15	4	0400451	WASHER, 1/4" FLAT
			EXTEND HYDRAULICS
16	5	0300041	CONNECTOR, 8MJ-8MB
17	2	0300659	HOSE ASSEMBLY, 45"
18	1	0301376	CONNECTOR, 8MJ-10MB
19	1	0301445	EXTENDED CONNECTOR, 8MJ-8MB
20	1	0302296	CONTROL VALVE, VDP12CDD118
21	1	0302488	ELBOW, 8MJ-8FJX90
22	1	0302950	HOSE ASSEMBLY, 100"
23	1	0302951	HOSE ASSEMBLY, 100"
24	1	0303165	HOLDING VALVE
25	1	0303176	ADAPTER, 10MB-8FB
26	2	0400078	SCREW, 1/4"-20 X 2" RD HD SLOTTED
27	2	0400367	NUT, 1/4"-20 HEX
28	2	0400451	WASHER, 1/4" FLAT
29	1	HC0163	CYLINDER, EXTEND

# Section VI - PARTS (cont'd)

## 9907 RECOVERY BOOM HYDRAULICS



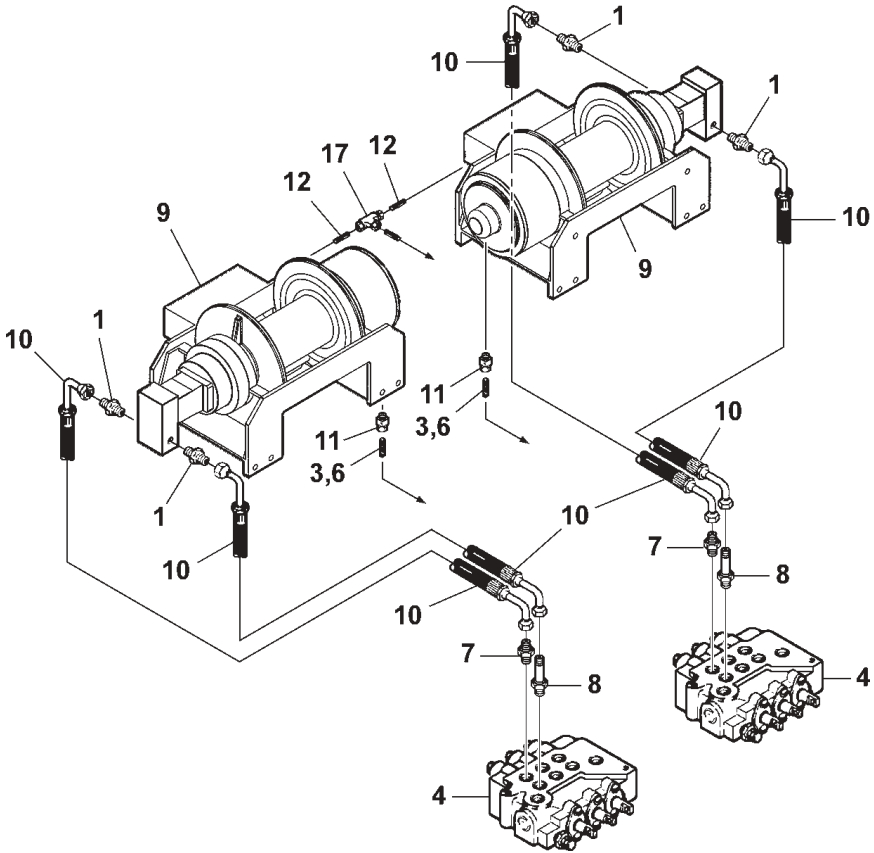
## Section VI - PARTS (cont'd)

### 9907 RECOVERY BOOM HYDRAULICS

REF. NO.	NO. REQ'D	PART NUMBER	DESCRIPTION
			LIFT HYDRAULICS
1	6	0300041	CONNECTOR, 8MJ-8MB
2	2	0300659	HOSE ASSEMBLY, 45"
3	1	0301376	CONNECTOR, 8MJ-10MB
4	2	0301388	ELBOW, 8MJ-8MP90
5	2	0301410	HOSE ASSEMBLY, 23"
6	1	0301445	EXTENDED CONNECTOR, 8MJ-8MB
7	4	0301893	HOSE ASSEMBLY, 84"
8	1	0302296	CONTROL VALVE, VDP12CDD118
9	2	0302304	HOSE ASSEMBLY, 42"
10	2	0302575	BULKHEAD RUN TEE
11	1	0303040	HOSE ASSEMBLY, 115"
12	1	0303041	HOSE ASSEMBLY, 115"
13	1	0303165	HOLDING VALVE
14	1	0303176	ADAPTER, 10MB-8FB
15	2	HC0129	LIFT CYLINDER
16	4	0400078	SCREW, 1/4"-20 X 2" RD HD SLOTTED
17	4	0400367	NUT, 1/4"-20 HEX
18	4	0400451	WASHER, 1/4" FLAT
			EXTEND HYDRAULICS
19	6	0300041	CONNECTOR, 8MJ-8MB
20	2	0300659	HOSE ASSEMBLY, 45"
21	1	0301376	CONNECTOR, 8MJ-10MB
22	1	0301445	EXTENDED CONNECTOR, 8MJ-8MB
23	1	0302296	CONTROL VALVE, VDP12CDD118
24	1	0302488	ELBOW, 8MJ-8FJX90
25	1	0302950	HOSE ASSEMBLY, 100"
26	1	0302951	HOSE ASSEMBLY, 100"
27	1	0303165	HOLDING VALVE
28	1	0303176	ADAPTER, 10MB-8FB
29	2	0400078	SCREW, 1/4"-20 X 2" RD HD SLOTTED
30	2	0400367	NUT, 1/4"-20 HEX
31	2	0400451	WASHER, 1/4" FLAT
32	1	HC0151	CYLINDER, EXTEND

# Section VI - PARTS (cont'd)

## 6807 WINCH HYDRAULICS & AIR FREE SPOOL





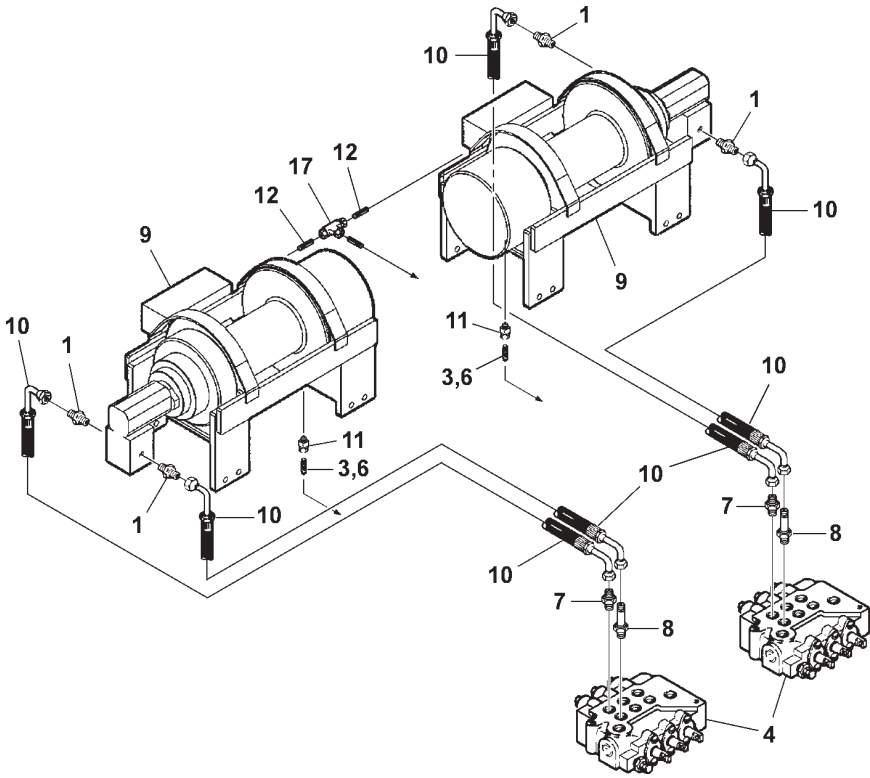
## Section VI - PARTS (cont'd)

### 6807 WINCH HYDRAULICS & AIR FREE SPOOL

REF. NO.	NO. REQ'D	PART NUMBER	DESCRIPTION
1	4	0300041	CONNECTOR, 8MJ-8MB
2	4	0300897	RUBBER GROMMET (NOT SHOWN)
3	35 FT.	0301577	AIR HOSE, 1/4" O.D.
4	2	0302296	CONTROL VALVE, VDP12CDD118
5	35	0302434	CABLE TIE, 4" 18 LB. (NOT SHOWN)
6	35 FT.	0302495	CONVOLUTED LOOM, 1/4"
7	2	0302827	CONNECTOR, 10MJ-10MB
8	2	0302828	EXTENDED CONNECTOR, 10MJ-10MB
9	2	0303693	WINCH, DP 35K
10	4	0306933	HOSE ASSEMBLY, 135"
11	2	9010520	FITT, BRASS ELB 1/4T-1/4MP
--	--	0904183	KIT, AIR TENSIONER
12	25 FT.	0301577	AIR HOSE, 1/4" O.D.
13	25	0302434	CABLE TIE, 4" 18 LB. (NOT SHOWN)
14	25 FT.	0302495	CONVOLUTED LOOM, 1/4"
15	2	0400062	SCREW, 1/4"-20 X 3/4" THRD CUT HEX (N.S.)
16	2	9010520	FITT, BRASS ELB 1/4T-1/4MP (NOT SHOWN)
17	1	9011071	FITT, BRASS TEE 1/4T-1/
18	1	HA0131	REGULATOR (NOT SHOWN)
19	1	HA0132	GAUGE, 0-160 PSI (NOT SHOWN)

# Section VI - PARTS (cont'd)

## 8807 WINCH HYDRAULICS & AIR FREE SPOOL



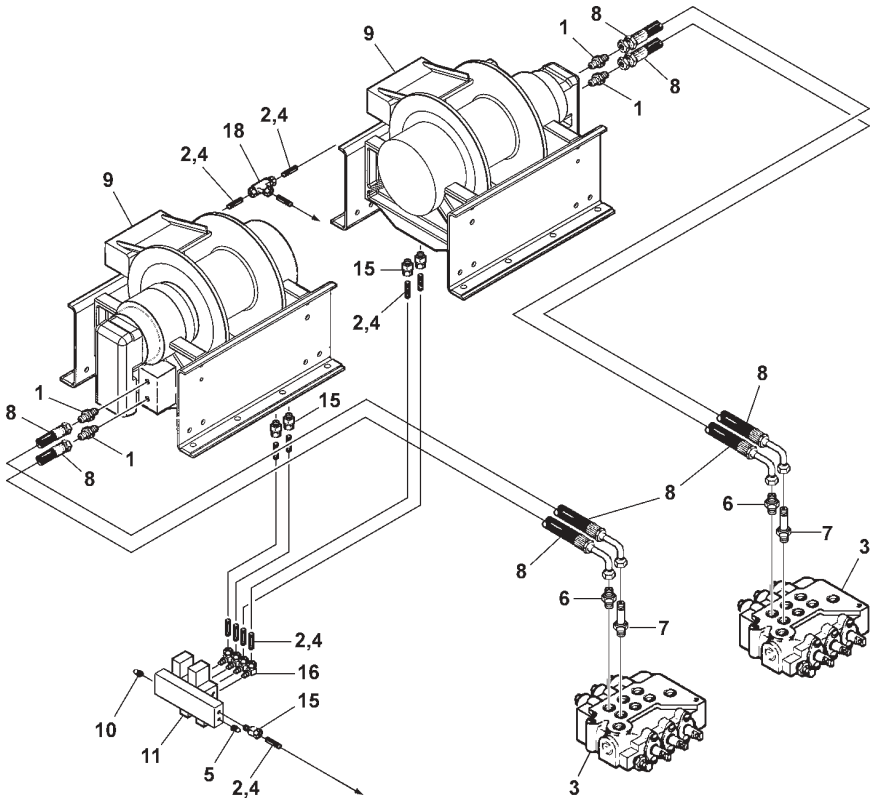
## Section VI - PARTS (cont'd)

### 8807 WINCH HYDRAULICS & AIR FREE SPOOL

REF. NO.	NO. REQ'D	PART NUMBER	DESCRIPTION
1	4	0300041	CONNECTOR, 8MJ-8MB
2	4	0300897	RUBBER GROMMET (NOT SHOWN)
3	35 FT.	0301577	AIR HOSE, 1/4" O.D.
4	2	0302296	CONTROL VALVE, VDP12CDD118
5	35	0302434	CABLE TIE, 4" 18 LB. (NOT SHOWN)
6	35 FT.	0302495	CONVOLUTED LOOM, 1/4"
7	2	0302827	CONNECTOR, 10MJ-10MB
8	2	0302828	EXTENDED CONNECTOR, 10MJ-10MB
9	2	0303504	WINCH, DP S50-50K
10	4	0306933	HOSE ASSEMBLY, 135"
11	2	9010520	FITT, BRASS ELB 1/4T-1/4MP
--	--	0904183	KIT, AIR TENSIONER
12	25 FT.	0301577	AIR HOSE, 1/4" O.D.
13	25	0302434	CABLE TIE, 4" 18 LB. (NOT SHOWN)
14	25 FT.	0302495	CONVOLUTED LOOM, 1/4"
15	2	0400062	SCREW, 1/4"-20 X 3/4" THRD CUT HEX (N.S.)
16	2	9010520	FITT, BRASS ELB 1/4T-1/4MP (NOT SHOWN)
17	1	9011071	FITT, BRASS TEE 1/4T-1/
18	1	HA0131	REGULATOR (NOT SHOWN)
19	1	HA0132	GAUGE, 0-160 PSI (NOT SHOWN)

# Section VI - PARTS (cont'd)

## 9907 WINCH HYDRAULICS & AIR FREE SPOOL



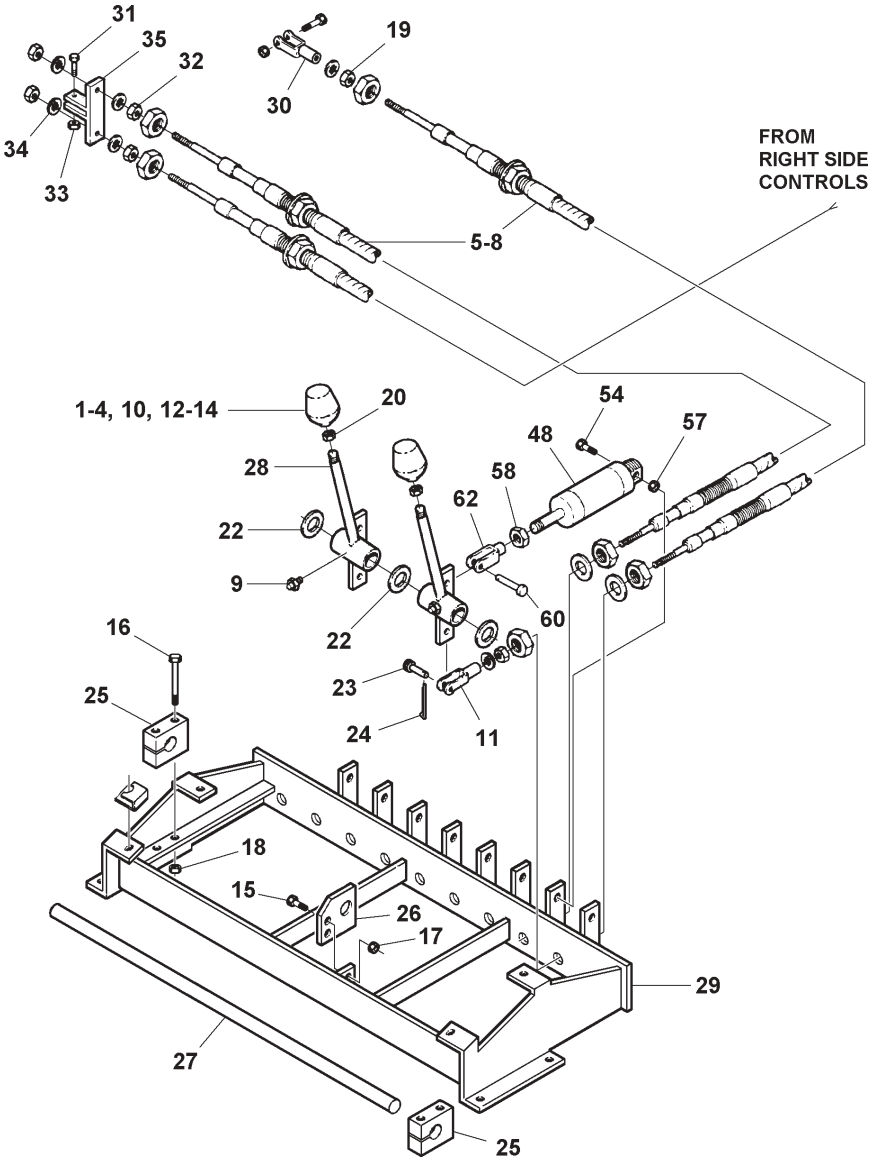
## Section VI - PARTS (cont'd)

### PUMP, VALVE & FILTER HYDRAULICS

REF. NO.	NO. REQ'D	PART NUMBER	DESCRIPTION
1	1	0300052	ELBOW, 8MJ-10MB90
2	2	0300056	BARB, 16C4-16MP
3	18 FT.	0300058	SUCTION HOSE, 1"
4	4	0300071	HOSE CLAMP, 1"
5	4	0300364	HOSE CLAMP, 1" - 2-1/4"
6	1	0300434	HOSE BARB, 2" 32C4-32MP
7	1	0300446	PIPE PLUG, 3/4" MALE
8	15 ft.	0300558	SUCTION HOSE, 2"
9	1	0300660	HOSE ASSEMBLY, 120"
10	1	0300666	BARB, 24C4-24MP
11	1	0300671	SUCTION HOSE, 1-1/2"
12	2	0300692	STREET ELBOW, 1" 90°
13	1	0301373	PIPE BUSHING
14	2	0301545	ELBOW, 12MJ-12MB90
15	1	0301547	ELBOW, 8MJ-12MB90
16	1	0301695	HOSE ASSEMBLY, 91"
17	1	0301836	HYDRAULIC PUMP
18	2	0301894	SPIN-ON FILTER ASSEMBLY
19	1	0301904	ELBOW, 8MJ-12FL90
20	1	0301905	O-RING FLANGE KIT, 12FH
21	2	0301961	BALL VALVE, BRONZE
22	2	0301965	HOSE ASSEMBLY, 131"
23	2	0301995	ADAPTER, 8FJ-6MJ
24	1	0302052	RUN TEE, 8MJ-8FJX-8MJ
25	4	0302108	REDUCER BUSHING, 20MP-16FP
26	2	0302169	O-RING CONNECTOR, 16MJ-12MB
27	2	0302170	BENT TUBE SWIVEL, 16C2-16FJX90
28	3	0302205	GAUGE, FLUSH MOUNT, 6000 PSI
29	1	0302242	FLANGE FITTING, 24FL-24HOSE90
30	2	0302296	CONTROL VALVE, VDP12CDD118
31	2	0302367	PIPE NIPPLE, 2" x 4"
32	3	0302577	CONNECTOR, 6MJ-4FP
33	1	0302757	CONNECTOR, 8MJ-16MB
34	2	0302826	TEE, 12MJ-12FJX-12MJ
35	2	0302829	ADAPTER, 12FJ-6MJ
36	2	0302901	HOSE ASSEMBLY, 120"
37	1	0302931	ELBOW, FLANGE 24-32FL90 w/ FLANGE KIT
38	2	0302932	ELBOW, 12MJ-20FL90 w/ FLANGE KIT
39	2	0303093	CONTROL VALVE, VDP11DDDC110
40	1	0303182	HOSE ASSEMBLY, 41"
41	4	0400177	SCREW, 1/2"-13 X 1-1/4" HEX HD CAP
42	4	0400491	LOCKWASHER, 1/2" HELICAL

# Section VI - PARTS (cont'd)

## LEFT CONTROL ASSEMBLY



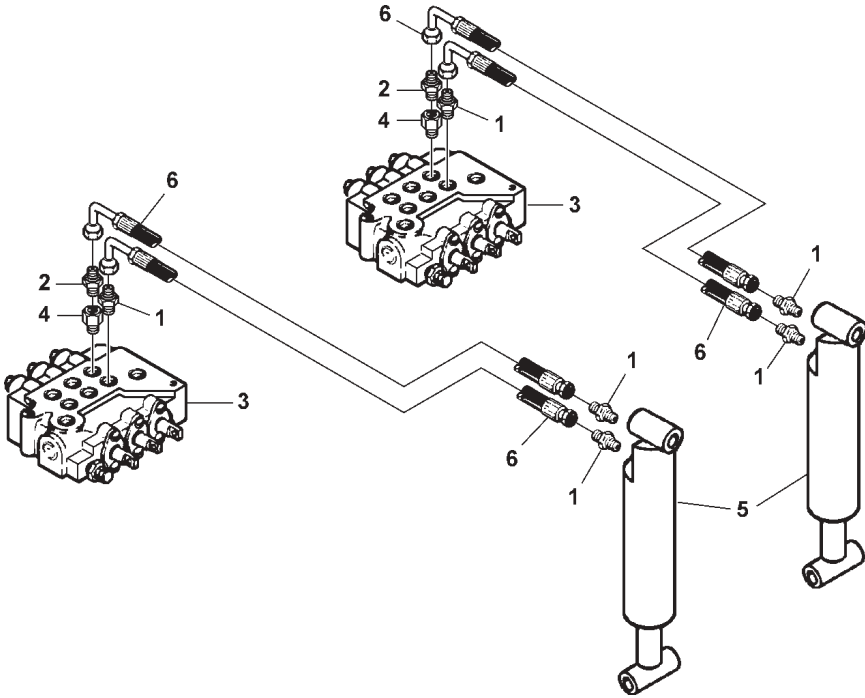
## Section VI - PARTS (cont'd)

### RIGHT CONTROL ASSEMBLY

REF. NO.	NO. REQ'D	PART NUMBER	DESCRIPTION
1	2	0300834	KNOB, IN-OUT
2	1	0300835	KNOB, BOOM UP-DOWN
3	2	0300836	KNOB, JACK UP-DOWN
4	1	0300837	KNOB, BOOM IN-OUT
5	3	0301884	CONTROL CABLE, 96"
6	1	0301969	CONTROL CABLE, 84"
7	1	0302457	CONTROL CABLE, 104"
8	6	0302726	GREASE FITTING, 1/4"-28 X 45°
9	6	0303008	ADJUSTABLE CLEVIS
10	1	0303427	CONTROL CABLE, 114"
11	4	0400107	SCREW, 5/16"-18 X 2-1/2" HEX HD CAP
12	4	0400382	NUT, 5/16"-18 HEX NYLOK
13	6	0400383	NUT, 5/16"-24 HEX
14	6	0400393	NUT, 3/8"-16 HEX JAM
15	7	0400512	WASHER, 3/4" FLAT (SPECIAL)
16	6	0400532	CLEVIS PIN, 5/16" X 1"
17	6	0400541	COTTER PIN, 1/16" X 3/4"
18	2	0711235	SHAFT CLAMP, CONTROL BOX
19	1	0711247	PIN
20	6	0803294	CONTROL HANDLE WELDMENT
21	1	0804061	CONTROL FRAME WELDMENT

# Section VI - PARTS (cont'd)

## SPADE HYDRAULICS



REF. NO.	NO. REQ'D	PART NUMBER	DESCRIPTION
1	6	0300044	CONNECTOR, 6MJ-8MB
2	2	0301522	CONNECTOR, 6MJ-6MB
3	2	0302296	CONTROL VALVE, VDP12CDD118
4	2	0303017	CONNECTOR, 8MB-6FB
5	2	0303691	SPADE CYLINDER
6	4	0303748	HOSE ASSEMBLY, 136"



## Section VI - PARTS (cont'd)

### HYDRAULIC CYLINDERS

REF. NO.	NO. REQ'D	PART NUMBER	DESCRIPTION
1 --	1 --	HC0159 0304522	CYLINDER, SDU2 UNDERLIFT LIFT SEAL KIT, UNDERLIFT LIFT CYLINDER
2 --	1 --	0303501 0304590	CYLINDER, SDU2 UNDERLIFT EXTEND SEAL KIT, UNDERLIFT EXTEND CYLINDER
3 --	1 --	0303902 0304629	CYLINDER, SDU2 UNDERLIFT TILT SEAL KIT, UNDERLIFT TILT CYLINDER
4 --	1 --	0306508 0304609	CYLINDER, SDU2 UNDERLIFT FOLD SEAL KIT, UNDERLIFT FOLD CYLINDER
5 --	2 --	0306950 0304673	CYLINDER, 6807 BOOM LIFT SEAL KIT, 6807 BOOM LIFT CYLINDER
6 --	1 --	HC0163 0304521	CYLINDER, 6807 BOOM EXTEND SEAL KIT, 6807 BOOM EXTEND CYLINDER
7 --	2 --	0307130 --	CYLINDER, 8807 BOOM LIFT SEAL KIT, 8808 BOOM LIFT CYLINDER
8 --	1 --	HC0163 0304521	CYLINDER, 8807 BOOM EXTEND SEAL KIT, 8808 BOOM EXTEND CYLINDER
9 --	2 --	HC0129 HC0716	CYLINDER, 9907 BOOM LIFT SEAL KIT, 9907 BOOM LIFT CYLINDER
10 --	1 --	HC0151 HC0727	CYLINDER, 9907 BOOM EXTEND SEAL KIT, 9907BOOM EXTEND CYLINDER
11 --	2 --	HC0124 HC0433	CYLINDER, REAR SPADE SEAL KIT, REAR SPADE CYLINDER

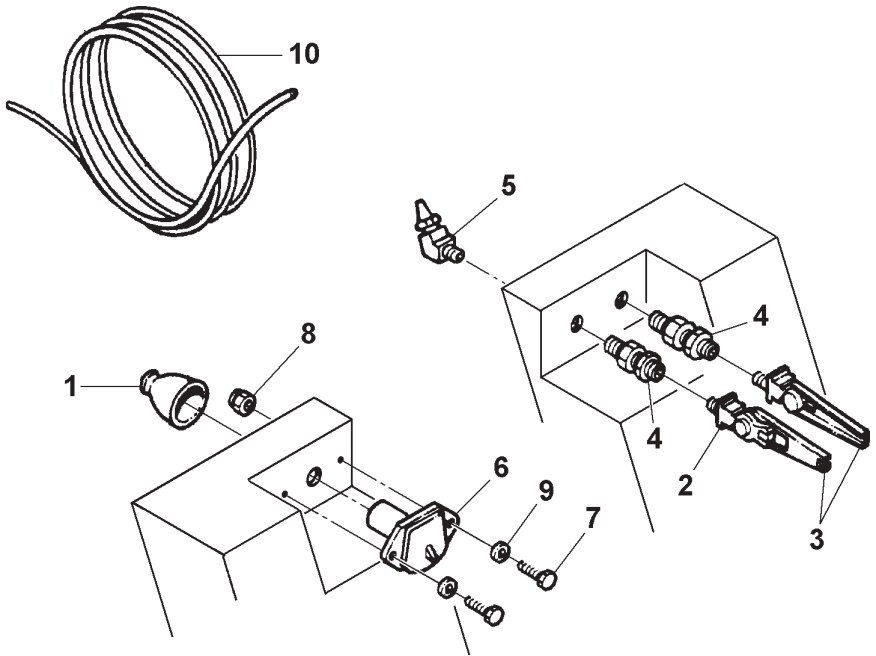
## Section VI - PARTS (cont'd)

### MODULAR LIGHT KIT

REF. NO.	NO. REQ'D	PART NUMBER	DESCRIPTION
1	1	0300076	LICENSE PLATE BRACKET
2	10	0300117	RUBBER GROMMET
3	1	0300273	LICENSE PLATE ILLUMINATOR
4	1	0300442	3-LIGHT BAR
5	9 FT.	0300844	3/4" X 1/8" CLOSED CELL SPONGE
6	2	0302201	BACKUP LIGHT
7	12	0302544	DOME LIGHT
8	2	0302611	LIGHT, AMBER OVAL
9	2	0306778	LIGHT, TAIL (LEFT)
10	2	0306779	LIGHT, TAIL (RIGHT)
11	40	0400045	SCREW, #10-32 X 1/2" THRD CUT RD SS
12	16	0402003	SCREW, #8-32 X 1-1/2" PH HD MACH SS

# Section VI - PARTS (cont'd)

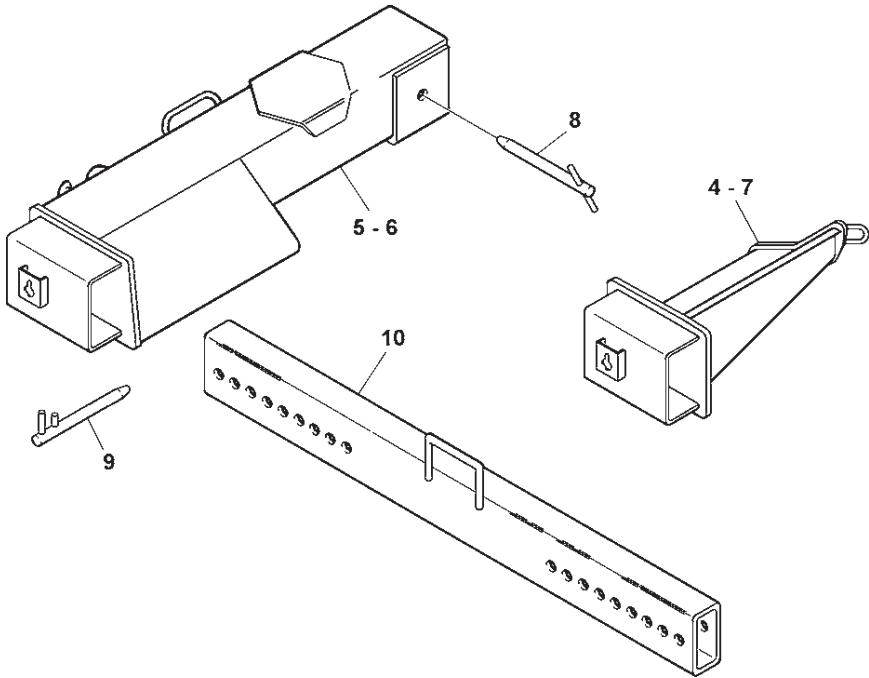
## GLAD HAND ASSEMBLY



REF. NO.	NO. REQ'D	PART NUMBER	DESCRIPTION
1	1	0301909	RECEPTACLE BOOT
2	2	0301944	GLAD HAND COUPLING
3	2	0301945	GLAD HAND BOOT
4	2	0301946	BULKHEAD CONNECTOR
5	1	0301947	45° ADAPTER, 1/4" NPM X 3/8" SYN. HOSE
6	1	0301948	HD 7-WAY TRAILER CONNECTOR
7	2	0400070	SCREW, 1/4"-20 X 1" HEX HD CAP
8	2	0400367	NUT, 1/4"-20 HEX NYLOK
9	6	0400451	WASHER, 1/4" FLAT
10	1	0703795	HOSE, 3/8" X 4 FT. SYNTHETIC

# Section VI - PARTS (cont'd)

## TRUCK WHEEL LIFT



REF. NO.	NO. REQ'D	PART NUMBER	DESCRIPTION
1	2	0301932	5/16" X 12' H.T. CHAIN ASSEMBLY (N.S.)
2	2	0300311	RATCHET WITH HOOK (N.S.)
3	2	0303680	TIE DOWN STRAP, ADJUSTABLE (N.S.)
4	1	0802839	TIRE SUPPORT, RIGHT
5	1	0802841	OUTER CROSSTUBE, LEFT
6	1	0802842	OUTER CROSSTUBE, RIGHT
7	1	0802877	TIRE SUPPORT, LEFT
8	2	0902947	CROSSTUBE RETAINER PIN
9	4	0903089	RETAINER PIN
10	2	0903480	ADJUSTMENT TUBE
11	2	CH0100	5/16" HOOK WITH PIN (NOT SHOWN)



***CHALLENGER***<sup>®</sup>

Miller Industries Towing Equipment Inc.

8503 Hilltop Drive • Ooltewah, Tennessee 37363 • (423) 238-4171

[www.millerind.com](http://www.millerind.com)