

# CENTURY<sup>®</sup>

## 1150 Rotator Series



- *Dual 50,000 lb. Planetary 2-Speed Winches*
- *360° Continuous Boom Rotation*
- *3-Stage Recovery Boom*
- *Wide Variety of Outrigger and Underlift Options*
- *Optional Deck and Turret Winches*

*Some optional equipment shown.*



TM

[millerind.com](http://millerind.com)



# 1150 Rotator

## Standard Body Features

- 180" Aluminum Modular Body
- Compartments Over the Wheel Well
- Double Panel Doors
- Door Checks
- Double Action Latches with Keys & Power Door Locks
- LED Federal #108 Lighting
- LED Toolbox Lighting
- Rubber Fenderettes
- Mud Flaps
- Chain Rack
- Fork Holders & Attachment Storage
- Rubber Body Isolators
- Rigid Torsional Resistant Mounting Frame (1150R)
- Tailboard Mounted D-Rings
- Two Rear Outrigger Spade Attachments with D-Rings
- Rear Air & Electrical Hook-Ups

## Standard Features (All 1150 Models)

- Power Elevation
- 360° Continuous Boom Rotation
- Proportional 2 Stage Power Boom Extension with Counter Balance Valve
- Hydraulic Reservoir with an Oil Level Sight Gauge, Tank Drain, & Access Panel
- Nylatron Boom Slide Pads
- Holding Valves for Boom Elevation & Extension
- Dual 2-Speed Winches
- Cable Tensioners
- Winch Air Free Spool
- House Lock Window (Driver Side)
- Boom Angle Indicator
- Hydraulic 3-Stage Front Outriggers
- Hydraulic Rear Outriggers with Removable Pads
- Air Activated House Lock, Secures Boom for Transport in Rear or Forward Position
- House Lock Indicator
- Hydraulic Pump
- 360° Sheave Head
- Dual Control Stations
- Hydraulic Pressure Gauges (Driver Side)
- 2 D-Rings Mounted on 1st, 2nd, and 3rd Stage
- Safety Chain Rollers
- Pylon
- Large Outrigger Pad
- Quick Connect Air

## 1150

- Dual 50,000 Planetary Winches
- 360° Continuous Boom Rotation
- Optional Knee Boom Underlift (4-stage rear legs, 4-stage outrigger)
- Optional Dual H-Beam Outriggers (HHU Underlift)

## 1150R

- 60" of Front to Rear Turret Travel
- Raptor Remote Package Standard
- Tailboard Underlift Controls
- Dual H-Beam Outriggers (HHU Underlift)

## 1150RXP



- (2) 35,000 lb. 2-Speed Planetary Winches
- Air Free Spool
- Air Tensioner
- Directional Sheave Head
- Recovery D-Ring
- Optional Knee Boom Underlift (4-Stage Rear Legs)

## AUXILIARY WINCH OPTIONS



- Dual 22,000 lb. Turret Mtd. Winches (1150/1150R)
- Single 35,000 lb. Drag Winch (1150, 1150 RXP)
- Single 50,000 lb. Drag Winch (1150, 1150RXP, & 1150R when equipped with 4-stage rear outriggers)
- Dual 35,000 lb. Drag Winches (1150)



# 1150 Rotator

## KNEE-BOOM OPTION



Not Available on 1150R or Dual-H Beam

- 55,000 lb. Retracted Lifting Capacity
- 83 1/2" Retracted Length
- 173 3/4" Extended Length
- Underlift Tilt: +16° / -23°

## RAPTOR™ PACKAGE



Raptor™ Control Station

The patented Raptor™ Control\* Package is standard on the Century 1150R and optional on all other rotator models.

The operator can easily maneuver through operations at the unit control station or on the wireless remote.

Joystick controllers operate boom and winch functions and a display screen offers a variety of information including load sensing, free spool, and 2-speed operations.

\* USPN 9440577

## BOOM

Rating S.A.E. (Retracted) . . .	100,000 lbs
Rating S.A.E. (Extended) . . .	25,000 lbs
Extension . . . . .	248"
Rotation . . . . .	360°
Max Angle . . . . .	66°
Max Height . . . . .	495"

## DUAL H-BEAM OUTRIGGER & HHU

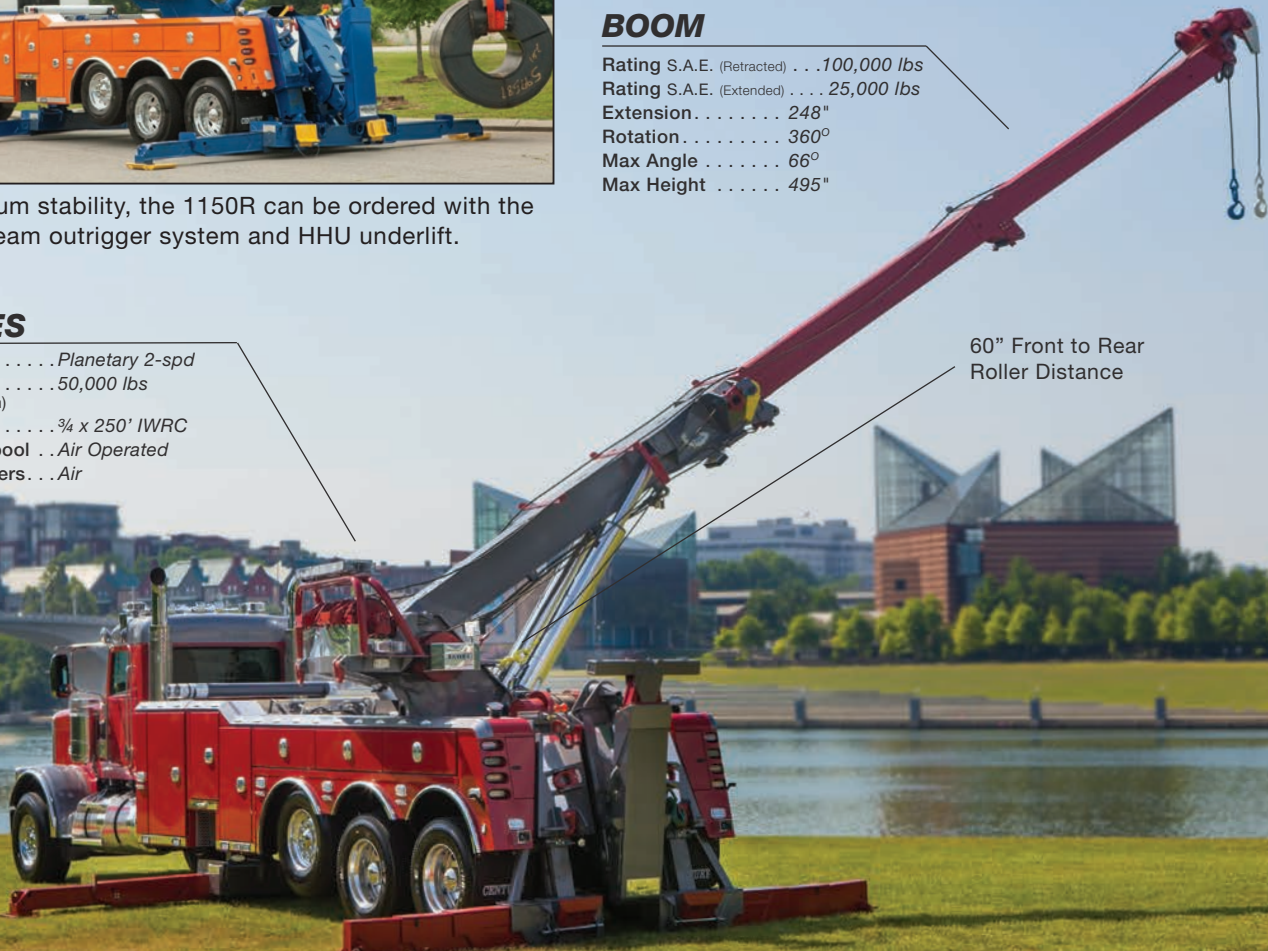


For maximum stability, the 1150R can be ordered with the dual "H" beam outrigger system and HHU underlift.

## WINCHES

Type . . . . .	Planetary 2-spd
Capacity . . . . .	50,000 lbs (1st layer of drum)
Wire Rope . . . . .	3/4" x 250' IWRC
Winch Free Spool . . .	Air Operated
Cable Tensioners . . .	Air

60" Front to Rear  
Roller Distance

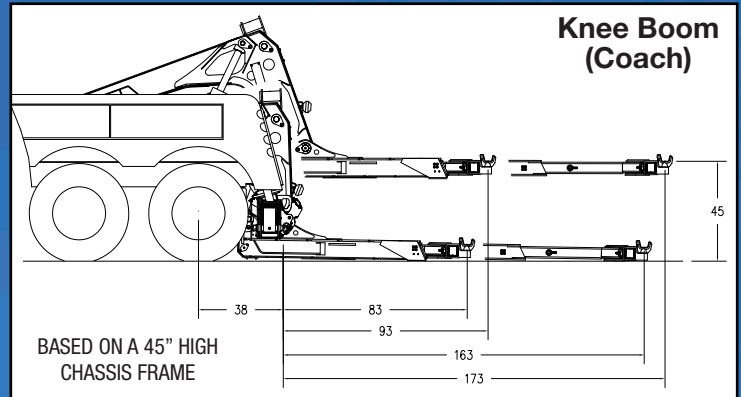
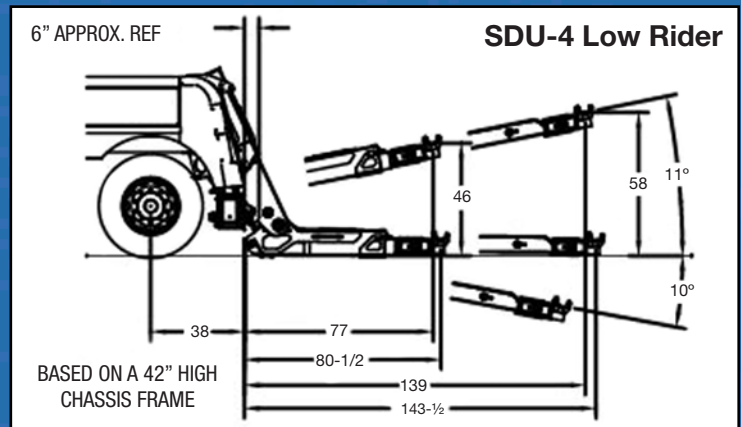


## Standard Underlift Features

- SDU-4 Low Rider
- Power Elevation
- Power Extension
- Power Tilt
- Hydraulic Fold
- 3-Stage Design
- 2 Piece Pivot Pin
- Upper/Lower Thrust Washer
- Low Profile Heavy-Duty Crossbar
- 70° Pivoting Crossbar
- Rotator D-Ring Package
- Low Profile Fork Holders
- 9 Pairs of Cast Steel Forks
- 1 Pair of Spring Lift Adapters
- Safety Chains in Tailboard
- Rear 4 Stage Outriggers - 220" stance
- Front Mounted 3 Stage H-Beam Outriggers - 262" stance (Not Available RXP)

## Optional Features

- SDU-4 Coach Low Rider
- Front Outrigger Side Pull Attachment
- Chain Package
- Endless Loop Sling Package
- Alloy Foundry Hooks
- Alloy Shackles
- Alloy Snatch Blocks
- Spreader Bar
- Dual Rear Cameras & Monitor
- Air Shift PTO
- 24", 30", 36" 48" Saddle Tunnel Box
- Convenience Group (Rails)
- Pintle Hook Attachment
- 5th Wheel Plate (Req. Pintle Hook Attachment)
- Trailer Ball Adapter (Req. Pintle Hook Attachment)
- Heavy-Duty Tire Lift
- XHD Tire Lift (25k Capacity)
- Offset Fork Holder Extensions
- Fork Riser Brackets
- Chain Hook Slide Adapter
- Additional Lift Forks
- Chain Rack Carousel
- Stainless Steel Fenderettes
- Dual H-Beam Outriggers - 262" stance (1150, 1150R)
- Aluminum Dress-Up Kits
- Winch Bucket Mounted Aluminum Tubular Pylon
- Manual Override Control for PTO
- 3 or 7 Drawer Toolbox w/ Tote Case
- Water Tank Kit
- Whelen LED Light Bars
- Flasher Kit
- Boom Scene Lights
- LED Work & Hook-Up Lighting
- Wide Load Light Bar
- LED Side Lights
- LED Body Strip Lights
- Additional Lighting Options
- Installation



## Underlift Specifications

Underlift Specifications	Capacity Fully Extended	Capacity Fully Retracted	Underlift Tilt
Low Rider	17,000 lbs. @ 143 1/2"	55,000 lbs. @ 54"	10°+ 10°-
SDU-4 Coach Low Rider	18,000 lbs. @ 165 1/2"	55,000 lbs. @ 66"	10°+ 10°-
Knee Boom (Std)	18,000 lbs. @ 157"	55,000 lbs. @ 67"	16°+ 23°-
Knee Boom (Coach)	18,000 lbs. @ 173 3/4"	55,000 lbs. @ 83 1/2"	16°+ 23°-
HHU	15,000 lbs. @ 130"	45,000 lbs. @ 51"	20°+

\*Tire lift increases reach 12" to 16" to C.L. of tire lift arm.

## Recommended Minimum\* Chassis Specifications

	Front Axle (lbs)	Rear Axle (lbs)	Clear C.A. / C.B.	After Frame from Center of Rear Axle	R.B.M. (in./lbs.)
1150	20,000	46,000	180"	40"	4,000,000
1150R	20,000	52,000	180"	40"	4,000,000
1150RXP	20,000	46,000	204"	40"	4,000,000

\*All recommendations are minimums, heavier specifications may be required depending on chassis & equipment weight, always consult your local distributor or the factory for additional information.

## Optional Controls (1150 / 1150RXP)

- MMGO (Load Sensing)
- Backlit Controls
- Radio Proportional Controls with Single Mounted Controls (includes backlit controls)
- Raptor® Package (standard on 1150R)
- Right Hand Manual Controls
- Tailboard Underlift Controls (standard on 1150R)

All ratings are based on structural factors only, not vehicle capacities or capabilities. Specifications shown are approximations and may vary depending on chassis selected. Miller Industries Towing Equipment Inc. reserves the right to change or modify product and/or specifications without notice obligation. Some Equipment shown is optional.





# RAPTOR™ CONTROLS

## SAFETY

- IMPROVED VISIBILITY
- VIEW SCALE/WEIGHT INFO FROM REMOTE DISPLAY

## CONVENIENCE

- EASE OF USE
- JOYSTICK SENSITIVITY
- WIRELESS REMOTE OPTIONS



- Raptor™ Control Visibility vs. Standard Control Station

- Minimum 20° Visibility Improvement

- Raptor™ TD3200 Wireless Remote

- Raptor™ TD3100 Wireless Remote