

CHALLENGER®



OWNER'S MANUAL

9909 & 8808 ROTATORS

INSTALLATION, OPERATION, MAINTENANCE & PARTS

**NOTE: MANUAL including SPECIFICATIONS, subject to change without notice
All ratings specified are based on structural factors only,
not vehicle capacities or capabilities.**

CHALLENGER®

Miller Industries Towing Equipment Inc.
8503 Hilltop Drive
Ooltewah, Tennessee 37363

FORM NO. 0501158
12 / 01

Phone (423) 238-4171 • FAX (423) 238-5371

PRICE \$25.00

LIMITED WARRANTY

MILLER INDUSTRIES TOWING EQUIPMENT INC., hereinafter referred to as MILLER, warrants to the original purchaser that each new MILLER wrecker or other MILLER products will be free from defects in material and workmanship for a period of twelve (12) months from date placed in service, but in no event shall such warranty period exceed twenty-four (24) months from date of manufacture by MILLER. The purchaser must promptly notify MILLER in writing of any failure in material or workmanship. In no event shall MILLER accept such notification later than twenty-four (24) months from date of delivery or twelve (12) months from date placed in service, whichever is earlier.

MILLER's obligation under this warranty, statutory or otherwise, is limited to the repair or replacement at the MILLER factory, or at a point designated by MILLER, of such part or parts as shall appear upon inspection by MILLER to be defective in material or workmanship. New or remanufactured parts will be used for any replacement at MILLER's option. This warranty is not transferable. This warranty does not obligate MILLER to bear the cost of labor or transportation charges in connection with the repair or replacement of any parts found to be defective, nor shall it apply to a product upon which repairs or alterations have been made unless authorized by MILLER.

EXCEPT AS EXPRESSLY SET FORTH IN THIS WARRANTY, MILLER MAKES NO OTHER WARRANTY, EXPRESS OR IMPLIED, AND HEREBY DISCLAIMS ALL OTHER WARRANTIES INCLUDING, BUT NOT LIMITED TO, THE IMPLIED WARRANTIES OF MERCHANTABILITY AND FITNESS FOR A PARTICULAR PURPOSE. MILLER shall in no event be liable for claimed downtime, claimed loss of profits or goodwill, or any other special, incidental, indirect, or consequential damages concerning or relating to any product or parts, whether based on negligence, strict liability, breach of contract, breach of warranty, misrepresentation or any other legal theory, regardless of whether the loss resulted from any general or particular requirement which MILLER knew or had reason to know about at the time of sale.

MILLER MAKES NO WARRANTY, EXPRESS OR IMPLIED, AS TO THE FINISHED PRODUCTS MANUFACTURED OR SUPPLIED BY ANOTHER MANUFACTURER AND SUPPLIED BY MILLER TO PURCHASER, including, but not limited to, any vehicle to which a MILLER product may be affixed or any accessories or wire rope, and MILLER EXPRESSLY DISCLAIMS ANY IMPLIED WARRANTIES OF MERCHANTABILITY OR FITNESS FOR A PARTICULAR PURPOSE AS TO SUCH EQUIPMENT OR PRODUCTS. This language shall in no way affect or diminish the rights of the purchaser to rely on such warranties as are extended by such manufacturers or suppliers. MILLER shall, to the extent permitted under applicable law, pass on to the purchaser such manufacturer's or seller's warranty.

MILLER, whose policy is one of continuous improvement, reserves the right to improve its products through changes in design or materials as it may deem desirable without being obligated to incorporate such changes in products previously sold. This warranty is not intended to cover or include the following items, which are set forth by way of example and not limitation:

- A. Normal deterioration of trim, paint, lettering, and appearance items due to wear or exposure to weather, road conditions, road treatments, etc.
- B. Any damage or defect due to accident, misuse, abuse, improper or unauthorized repairs, failure to provide reasonable and necessary maintenance, or uses for which the equipment was not designed or intended.
- C. Alterations or modifications that affect performance, operation or reliability.
- D. Normal maintenance parts including, but not limited to, wear pads, bushings, wire rope, mud flaps, fenderettes, light bulbs, hydraulic oil, filters, and tow sling belts.

IT IS EXPRESSLY UNDERSTOOD THAT MILLER MAKES NO IMPLIED WARRANTY THAT MILLER PRODUCTS SHALL BE FIT FOR THE PURPOSE OF LIFTING OR MOVING PEOPLE OR FOR ANY OTHER IMPROPER USE.



Miller Industries Towing Equipment Inc.
8503 Hilltop Drive
Ooltewah, Tennessee 37363

Telephone (423) 238-4171

SERIAL NUMBER

Section VI - PARTS

This Section is provided by the manufacturer for the purpose of ordering any component part of the **Challenger Rotator** and **SDU2 Underlift** that may be required when part replacement is necessary.

Be certain to use only original equipment replacement parts for warranty purposes as well as for keeping your **Challenger Rotator** and **SDU2 Underlift** in its original state and optimum operating capacities.

When ordering replacement or spare parts be sure to provide the following information to the manufacturer's **Parts Department**.

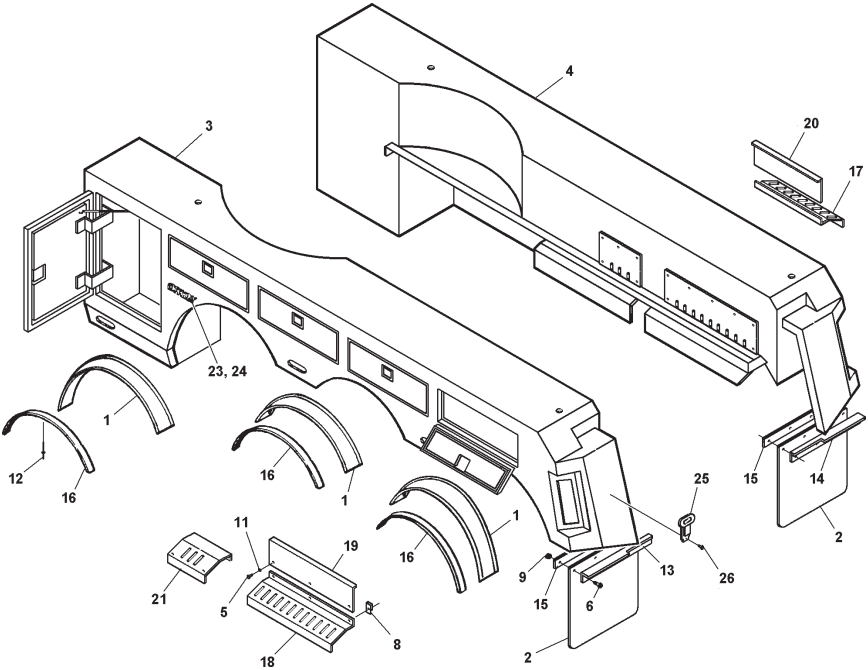
1. **Manual Number & Date of Publication**
2. **Manual Page Number**
3. **Page Title**
4. **Reference Number of Part Desired**
5. **Part Number**
6. **Part Description**
7. **Quantity of Part Desired**

Providing this information will help ensure that the correct parts will be delivered to you in an expedient manner. Should additional information be required for repair or replacement of certain components, contact your Wrecker Manufacturer Authorized Representative.

The Manufacturer reserves the right, without notice or obligation, to improve or modify their products, which may change the specifications, models and feature availability.

Section VI - PARTS (cont'd)

BODY ASSEMBLY



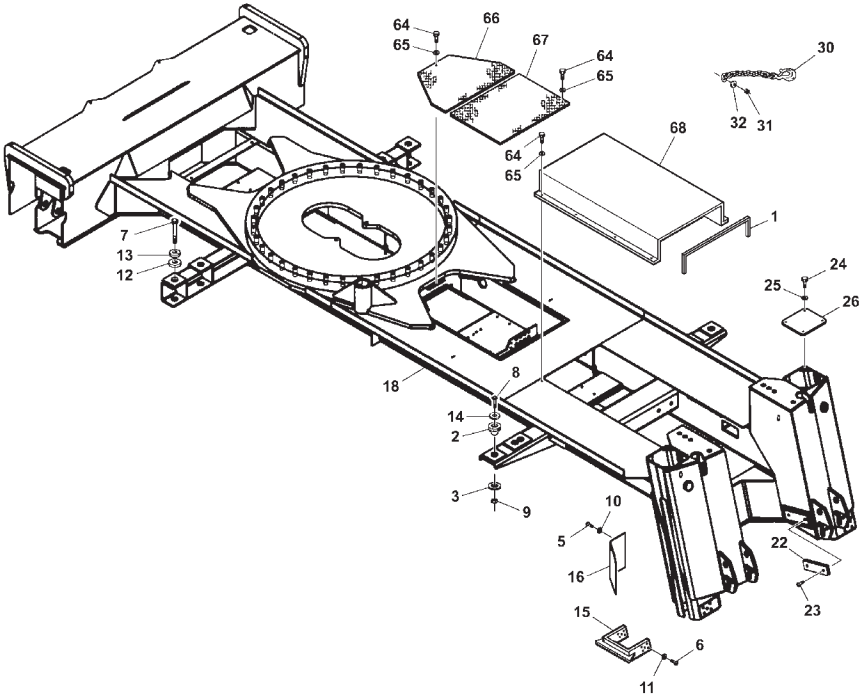
Section VI - PARTS (cont'd)

BODY ASSEMBLY

REF. NO.	NO. REQ'D	PART NUMBER	DESCRIPTION
1	35 FT.	0300345	FENDER, RUBBER
2	1	0303728	TOOL COMPARTMENT, LEFT 180" C.B.
3	1	0303729	TOOL COMPARTMENT, RIGHT 180" C.B.
4	6	0400066	SCREW, 1/4"-20 X 3/4" HEX HD CAP
5	8	0400122	SCREW, 3/8"-16 X 1-1/4" HEX HD CAP
6	76	0400303	SCREW, 7/8"-9 X 2-1/2" HEX HD CAP
7	6	0400369	CLIP, 1/4" "J" TINNERMAN
8	8	0400392	NUT, 3/8"-16 HEX NYLOK
9	76	0400436	NUT, 7/8"-9 HEX NYLOK
10	6	0400451	WASHER, 1/4" FLAT
11	108	0400566	RIVET, 1/4"
12	1	0705090	ANGLE, MUDFLAP MOUNTING LEFT
13	1	0705091	ANGLE, MUDFLAP MOUNTING RIGHT
14	2	0705092	BAR, MUDFLAP
15	6	0706609	RETAINING STRIP, RUBBER FENDER
16	1	0712761	PANEL, CONTROL
17	1	0712155	PANEL, CONTROL, 12 SLOT
18	1	0712156	PANEL, GAUGE
19	1	0712157	PANEL, WINCH FREE SPOOL
20	1	0712159	PANEL, CONTROL
21	2	0801175	FORK STORAGE BRACKET
22	2	VA0588	CHALLENGER MUDFLAP
--	--	0902286	CHALLENGER NAMEPLATE KIT
23	6	0400035	SCREW, #10-24 X 1/2" OVAL HD SELF TAP
24	2	DE0186	CHALLENGER NAMEPLATE
--	--	0902113	BOARDING STEP KIT
25	2	0300097	FOLDING STEP
26	4	0400101	SCREW, 5/16"-18 X 1" RD HD SLOTTED
27	4	0400382	NUT, 5/16"-18 HEX NYLOK
--	--	0903069	BACKUP ALARM KIT (Not Shown)
28	1	0303061	BACK UP ALARM
29	2	0400057	SCREW, 1/4"-20 X 1-1/4" HEX HD CAP
30	2	0400367	NUT, 1/4"-20 HEX NYLOK
--	--	0903999	DOOR BUMPER KIT (Not Shown)
31	16	0301934	DOOR STOP
32	16	0400016	SCREW, #8-32 X 1" FL PHL HD MACH

Section VI - PARTS (cont'd)

SUBFRAME ASSEMBLY



Section VI - PARTS (cont'd)

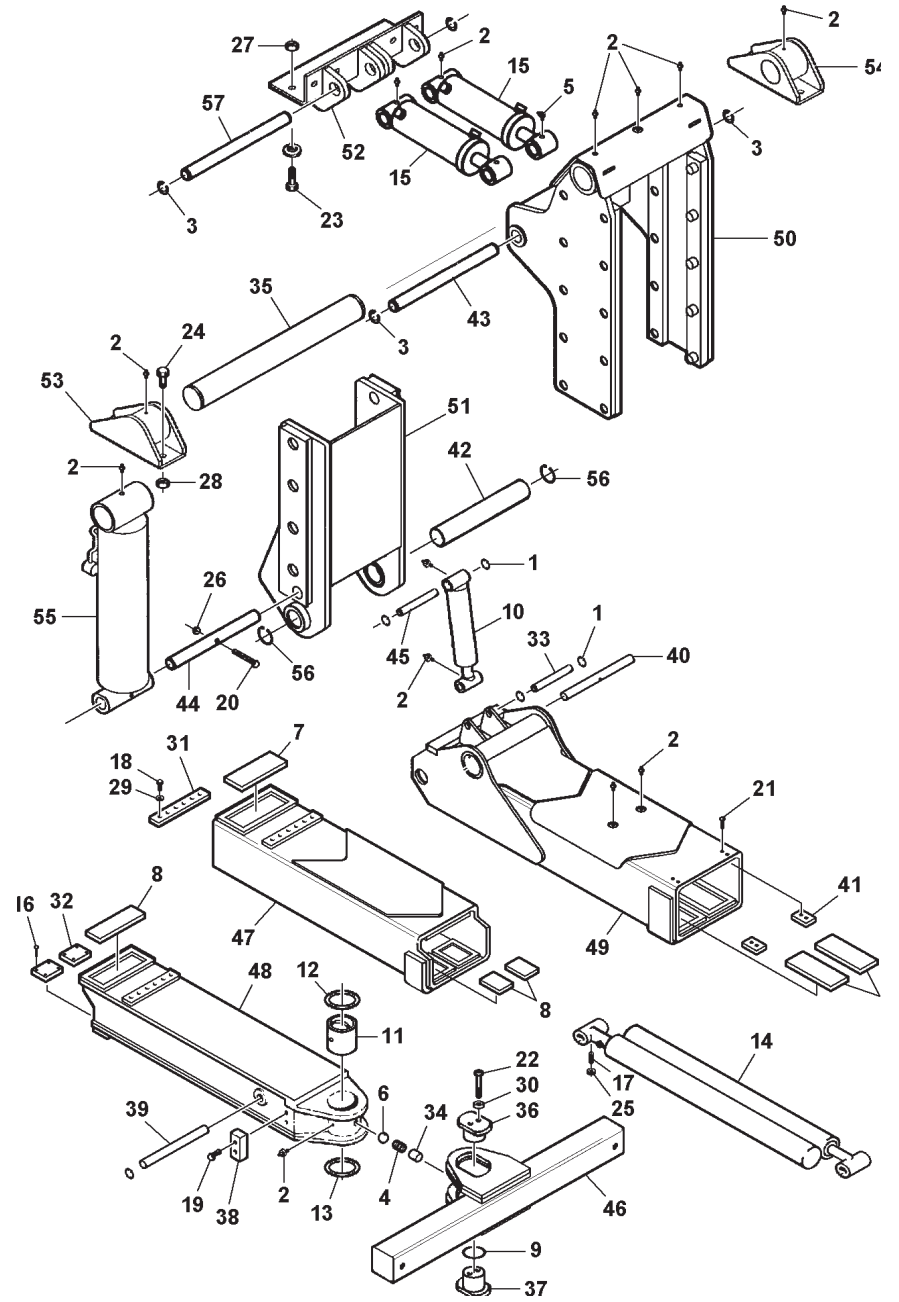
SUBFRAME ASSEMBLY

REF. NO.	NO. REQ'D	PART NUMBER	DESCRIPTION
1	3 FT.	0301851	TRIM-LOK, 1/8"
2	8	0302540	CENTER BONDED MOUNT
3	16	0302541	SPECIAL WASHER
4	7 FT.	0303056	"D" GASKET (NOT SHOWN)
5	4	0400066	SCREW, 1/4"-20 X 3/4" HEX HD CAP
6	20	0400218	SCREW, 1/2"-20 X 1-1/4" HEX HD CAP
7	4	0400276	SCREW, 5/8"-11 X 4-1/2" HEX HD CAP
8	8	0400281	SCREW, 3/4"-10 X 3-1/2" HEX HD CAP
9	8	0400430	NUT, 3/4"-10 HEX NYLOK
10	4	0400452	LOCKWASHER, 1/4" HELICAL
11	20	0400491	LOCKWASHER, 1/2" HELICAL
12	8	0400506	WASHER, 5/8" FLAT
13	4	0400508	LOCKWASHER, 5/8" HELICAL
14	8	0400510	WASHER, 3/4" FLAT
15	2	0712204	REINFORCEMENT, OUTER TUBE
16	1	0714342	COVER, LT CHAIN BOX
17	1	0714343	COVER, RT CHAIN BOX (Not Shown)
18	1	0805880	SUBFRAME WELDMENT
--	--	0902553	"D" RING KIT (Not Shown)
19	2	0708452	"D" RING, TOWING
20	2	9046388	ROLL PIN, 3/8" X 2-1/2"
21	2	GA0215	PIN, "D" RING
--	--	0904049	BOOM/TAILGATE BUMPER KIT
22	2	0303481	SLIDE PAD, BUMPER
23	4	0400223	SCREW, 3/8"-16 X 3/4" FL HD SKT
--	--	0904739	JACK COVER KIT
24	12	0400070	SCREW, 1/4"-20 X 3/4" HEX HD CAP
25	12	0400452	LOCKWASHER, 1/4" HELICAL
26	2	0714344	COVER, SPADE TUBE
27	2	0714365	MOUNTING ANGLE (Not Shown)
28	1	0714366	LT COVER, FRONT OUTRIGGER (Not Shown)
29	1	0714366	LT COVER, FRONT OUTRIGGER (Not Shown)
--	--	0906642	SAFETY CHAIN ASSEMBLY
30	2	0303445	SAFETY CHAIN - SYSTEM 10
31	2	0400421	NUT, 5/8"-11 HEX NYLOK
32	2	0400506	WASHER, 5/8" FLAT

REF. NO.	NO. REQ'D	PART NUMBER	DESCRIPTION
--	--	0906643	HOUSE LOCK KIT (Not Shown)
33	1	0300341	KNOB, BLACK
34	1	0302230	ADJUSTABLE CLEVIS, AC-210
35	1	0302231	ADJUSTABLE CLEVIS, AC-218
36	1	0302641	SPRING, PLUNGER PIN
37	1	0303215	CONTROL CABLE, 74"
38	8	0400066	SCREW, 1/4"-20 X 3/4" HEX HD CAP
39	1	0400070	SCREW, 1/4"-20 X 1" HEX HD CAP
40	1	0400095	SCREW, 5/16"-18 X 1/2" SHOULDER
41	2	0400118	SCREW, 5/16"-18 X 3/4" HEX HD CAP
42	6	0400122	SCREW, 3/8"-16 X 1-1/4" HEX HD CAP
43	1	0400133	SCREW, 3/8"-16 X 3" HEX HD CAP
44	2	0400365	NUT, 1/4"-28 HEX
45	5	0400367	NUT, 1/4"-20 HEX NYLOK
46	2	0400382	NUT, 5/16"-18 HEX NYLOK
47	2	0400388	NUT, 3/8"-24 HEX NYLOK
48	7	0400392	NUT, 3/8"-16 HEX NYLOK
49	1	0400393	NUT, 3/8"-16 HEX JAM
50	8	0400452	LOCKWASHER, 1/4" HELICAL
51	5	0400480	WASHER, 3/8" FLAT
52	1	0400492	WASHER, 1/2" FLAT
53	1	0705698	CONNECTOR, ALLTHREAD
54	1	0709331	RETAINING PIN, HOUSE LOCK
55	1	0709380	BELL CRANK, HOUSE LOCK
56	1	0709655	PLATE, CONTROL CABLE MOUNTING
57	1	0711970	BRACKET, HOUSE LOCK CONTROL
58	2	0712230	BOSS, TURNABLE LOCK
59	1	0712741	COVER PLATE, HOUSE LOCK
60	1	0715717	SPRING, SPACER
61	1	0802859	CONTROL HANDLE, WELDMENT
62	1	0803056	COVER, HOUSE LOCK WELDMENT
63	1	HD0900	BEARING, ROD END 1/4"-28
--	--	0906980	ACCESS COVER KIT
64	17	0400066	SCREW, 1/4"-20 X 3/4" HEX HD CAP
65	17	0400452	LOCKWASHER, 1/4" HELICAL
66	1	0716815	PLATE, VALVE COVER
67	1	0716816	PLATE, VALVE COVER (REAR)
68	1	0804114	CYLINDER COVER WELDMENT

Section VI - PARTS (cont'd)

SDU/2 ASSEMBLY



Section VI - PARTS (cont'd)

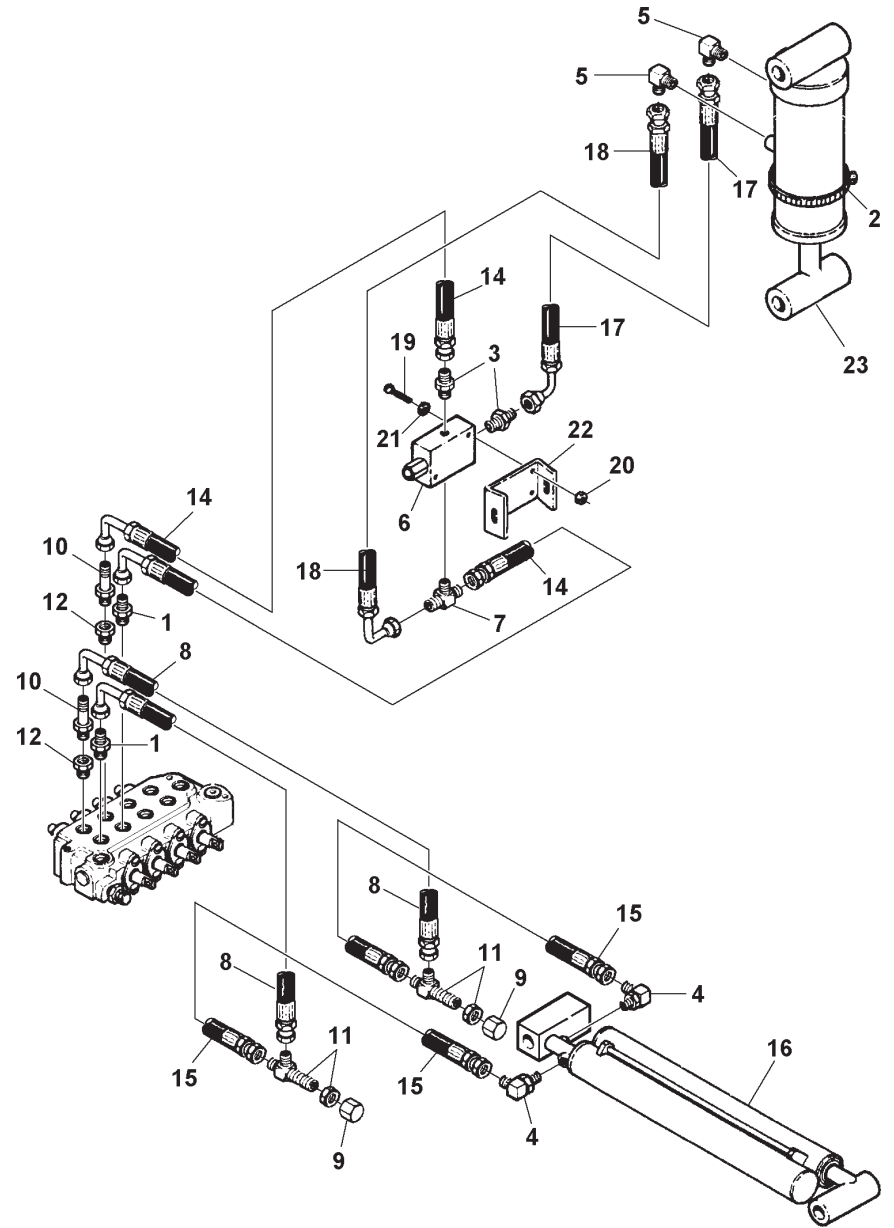
SDU/2 ASSEMBLY

REF. NO.	NO. REQ'D	PART NUMBER	DESCRIPTION
1	4	0300110	SNAP RING, 1"
2	15	0300113	GREASE FITTING
3	4	0300329	SNAP RING, 2" EXTERNAL
4	1	0301197	COMPRESSION SPRING
5	2	0301397	GREASE FITTING, 90°
6	1	0301398	STEEL BALL, 1-3/16"
7	3	0301817	SLIDE PAD
8	3	0301818	SLIDE PAD
9	1	0301822	O-RING, PIVOT PIN
10	2	0302538	SPRING BUSHING, 3.5" OD X 3" ID X 2.5"
11	1	0303088	BUSHING, PIVOT PIN
12	2	0303097	THRUST WASHER, 1/8"
13	2	0303098	THRUST WASHER, 1/16"
14	1	0303501	EXTEND CYLINDER
15	2	0303902	TILT CYLINDER
16	1	0306508	FOLD CYLINDER
17	8	0400044	DRIVE SCREW, #10 X 1/2" RD HD
18	2	0400139	SCREW, 3/8"-16 X 1-1/2" HEX SKT SET
19	6	0400151	SCREW, 3/8"-24 X 3/4" HEX HD CAP
20	4	0400196	SCREW, 1/2"-13 X 1-1/4" SKT HD CAP
21	1	0400219	SCREW, 1/2"-13 X 4-1/2" HEX HD CAP
22	4	0400228	SCREW, 3/8"-24 X 5/8" BUTTON HD SKT
23	2	0400271	SCREW, 5/8"-11 X 4-1/2" SKT HD CAP
24	8	0400288	SCREW, 3/4"-10 X 2-1/2" HEX HD CAP GR8
25	8	0400306	SCREW, 7/8"-9 X 3" HEX HD CAP GR8
26	2	0400392	NUT, 3/8"-16 NYLOK HEX
27	1	0400408	NUT, 1/2"-13 NYLOK HEX
28	8	0400430	NUT, 3/4"-10 NYLOK HEX
29	8	0400437	NUT, 7/8"-9 NYLOK HEX
30	6	0400481	LOCKWASHER, 3/8" EXTERNAL TOOTH
31	2	0400508	LOCKWASHER, 5/8" HELICAL
32	1	0703233	STOP PLATE
33	2	0703277	SLIDER PAD
34	2	0707034	STOP PLATE
35	1	0707179	PIN
36	1	0708470	SPACER, DETENT BALL

REF. NO.	NO. REQ'D	PART NUMBER	DESCRIPTION
37	1	0709242	PIN, MAIN PIVOT
38	1	0710051	PIVOT PIN, TOP HALF
39	1	0710052	PIVOT PIN, BOTTOM HALF
40	2	0710450	RETRACT BAR
41	1	0712174	SHAFT, EXTEND CYLINDER INNER BOOM
42	1	0712195	SHAFT, EXTEND CYLINDER OUTER BOOM
43	1	0714209	PIVOT PIN
44	1	0714218	PIN, TILT CYLINDER ROD END
45	1	0714219	PIN, LIFT CYLINDER ROD END
46	1	0714240	PIN, FOLD CYLINDER
47	1	0802914	CROSSBAR WELDMENT
48	1	0803441	2ND STAGE BOOM WELDMENT
49	1	0803442	INNER BOOM WELDMENT
50	1	0804029	OUTER BOOM WELDMENT
51	1	0804030	OUTER MAST WELDMENT
52	1	0804032	INNER MAST WELDMENT
53	1	0804034	TILT CYLINDER MOUNTING BRACKET
54	1	0804303	LEFT PIVOT SUPPORT WELDMENT
55	1	0804304	RIGHT PIVOT SUPPORT WELDMENT
56	1	HC0159	LIFT CYLINDER
57	2	HD0152	SNAP RING, 3" EXTERNAL
58	1	UK0126	PIN, TILT CYLINDER BASE END
--	--	0904785	HOSE TENSION KIT (Not Shown)
59	2	0400082	EYEBOLT, 1/4"-20 X 1-1/8"
60	4	0400191	SCREW, 1/2"-13 X 3-3/4" HEX HD CAP
61	2	0400366	NUT, 1/4"-20 HEX
62	1	0400367	NUT, 1/4"-20 NYLOK HEX
63	4	0400413	NUT, 1/2"-20 NYLOK HEX
64	2	0400451	WASHER, 1/4" FLAT
65	2	0700188	BRACKET, BULKHEAD
66	4	0703484	PULLEY, HOSE TENSIONER
67	2	0703487	BRACKET, HOSE TENSIONER PULLEY
68	8	0703488	WASHER, HOSE TENSIONER PULLEY
69	4	0714388	ANGLE, NYLON SHEAVE
70	2	AWS-1011-A	CLAW SPRING

Section VI - PARTS (cont'd)

SDU/2 LIFT & EXTEND HYDRAULICS



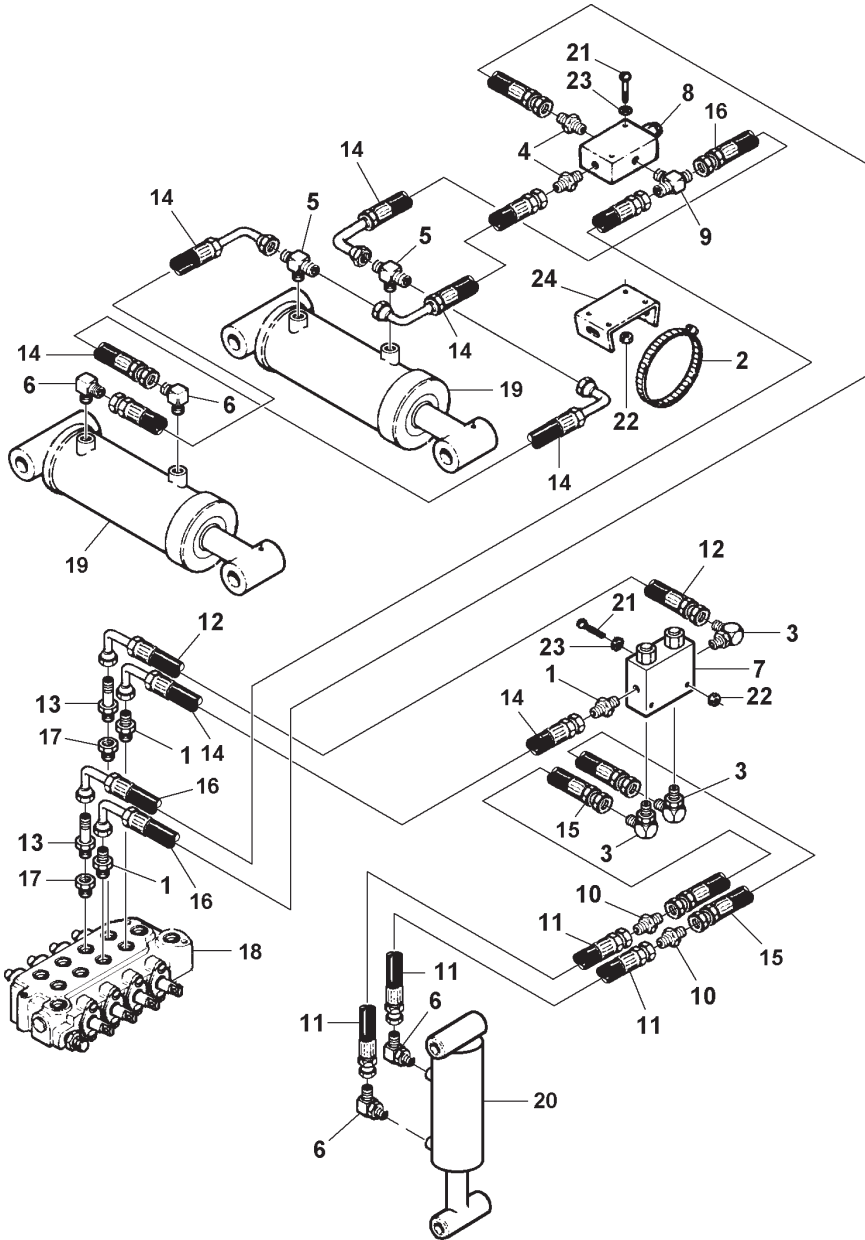
Section VI - PARTS (cont'd)

SDU/2 LIFT & EXTEND HYDRAULICS

REF. NO.	NO. REQ'D	PART NUMBER	DESCRIPTION
1	2	0300044	CONNECTOR, 6MJ-8MB
2	1	0300644	HOSE CLAMP, 8"
3	2	0301425	CONNECTOR, 6MJ-6MP
4	2	0301470	ELBOW, 6MJ-8MB90
5	2	0301620	ELBOW, 6MJ-6MB90
6	1	0301731	HOLDING VALVE
7	1	0301782	MALE RUN TEE, 6MJ-4MP-6MJ
8	2	0301998	HOSE ASSEMBLY, 24"
9	2	0302065	CAP, 6MJ
10	2	0302510	ADAPTER, 6MJ-6MBL
11	2	0302575	BULKHEAD RUN TEE, 6MJ
12	2	0303017	CONNECTOR, 8MB-6FB
13	1	0303093	CONTROL VALVE, VDP11DDDC110
14	2	0303170	HOSE ASSEMBLY, 75"
15	2	0303187	HOSE ASSEMBLY, 141"
16	1	0303501	EXTEND CYLINDER
17	1	0303967	HOSE ASSEMBLY, 7"
18	1	0303968	HOSE ASSEMBLY, 10"
19	2	0400078	SCREW, 1/4"-20 X 2" HEX HD CAP
20	2	0400367	NUT, 1/4"-20 HEX NYLOK
21	2	0400451	WASHER, 1/4" FLAT
22	1	0703001	BRACKET, CHECK VALVE MOUNTING
23	1	HC0159	LIFT CYLINDER

Section VI - PARTS (cont'd)

SDU/2 TILT & FOLD HYDRAULICS



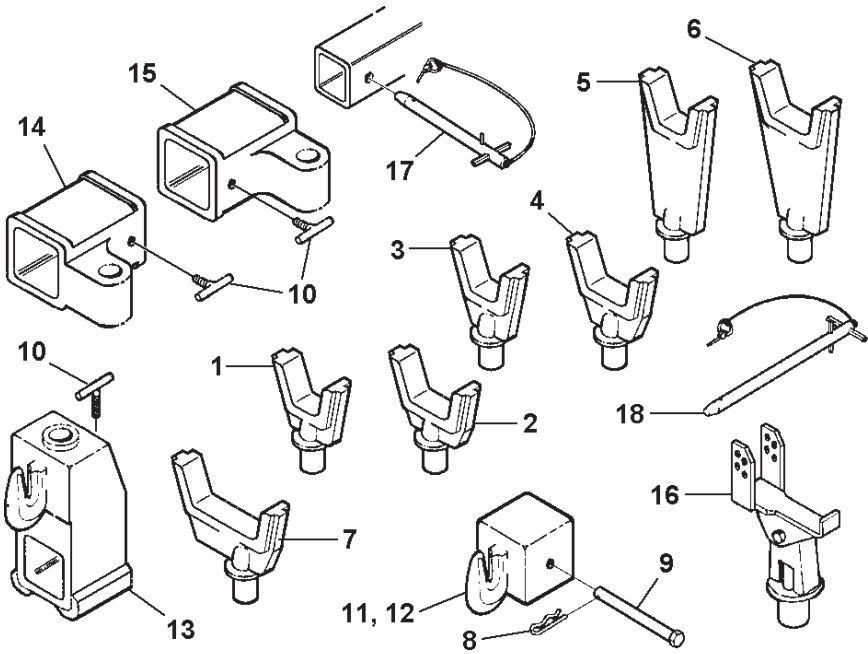
Section VI - PARTS (cont'd)

SDU/2 TILT & FOLD HYDRAULICS

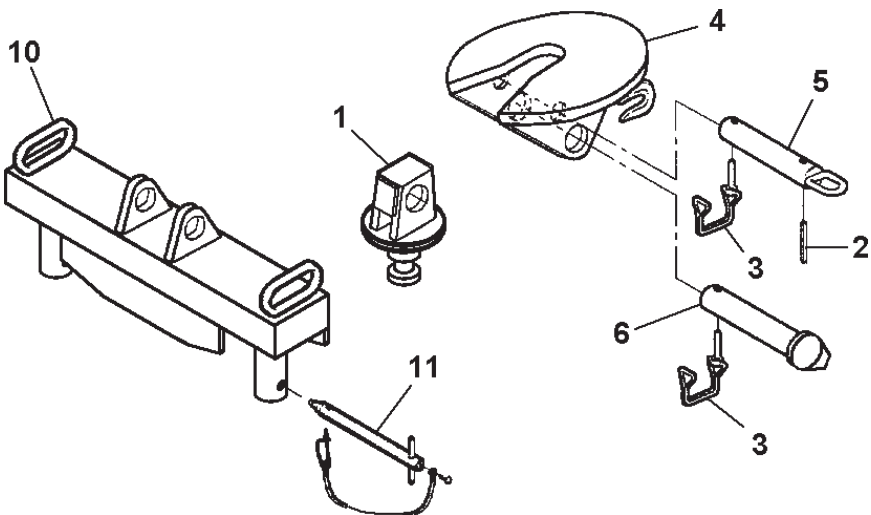
REF. NO.	NO. REQ'D	PART NUMBER	DESCRIPTION
1	2	0300044	CONNECTOR, 6MJ-8MB
2	1	0300365	CLAMP, CHECK VALVE RETAINING, 7"
3	3	0301388	ELBOW, 8MJ-8MB90
4	2	0301425	CONNECTOR, 6MJ-6MP
5	2	0301619	BRANCH TEE, 6MJ-6MJ-6MB
6	2	0301620	ELBOW, 6MJ-6MB90
7	1	0301730	DOUBLE HOLDING VALVE
8	1	0301731	HOLDING VALVE
9	1	0301782	MALE RUN TEE, 6MJ-4MP-6MJ
10	2	0301837	INLINE ORIFICE
11	2	0301997	HOSE ASSEMBLY, 18"
12	1	0301998	HOSE ASSEMBLY, 24"
13	2	0302510	ADAPTER, 6MJ-6MBL
14	5	0302808	HOSE ASSEMBLY, 18"
15	2	0302813	HOSE ASSEMBLY, 108"
16	2	0302886	HOSE ASSEMBLY, 45"
17	2	0303017	CONNECTOR, 8MB-6FB
18	1	0303093	CONTROL VALVE, VDP11DDDC110
19	2	0303902	TILT CYLINDER
20	1	0306508	FOLD CYLINDER
21	6	0400078	SCREW, 1/4"-20 X 2" HEX HD CAP
22	6	0400367	NUT, 1/4"-20 HEX NYLOK
23	2	0400451	WASHER, 1/4" FLAT
24	2	0703001	BRACKET, CHECK VALVE MOUNTING

Section VI - PARTS (cont'd)

SDU/2 LIFT ADAPTERS



KING PIN & FIFTH WHEEL ADAPTERS



Section VI - PARTS (cont'd)

SDU LIFT ADAPTERS

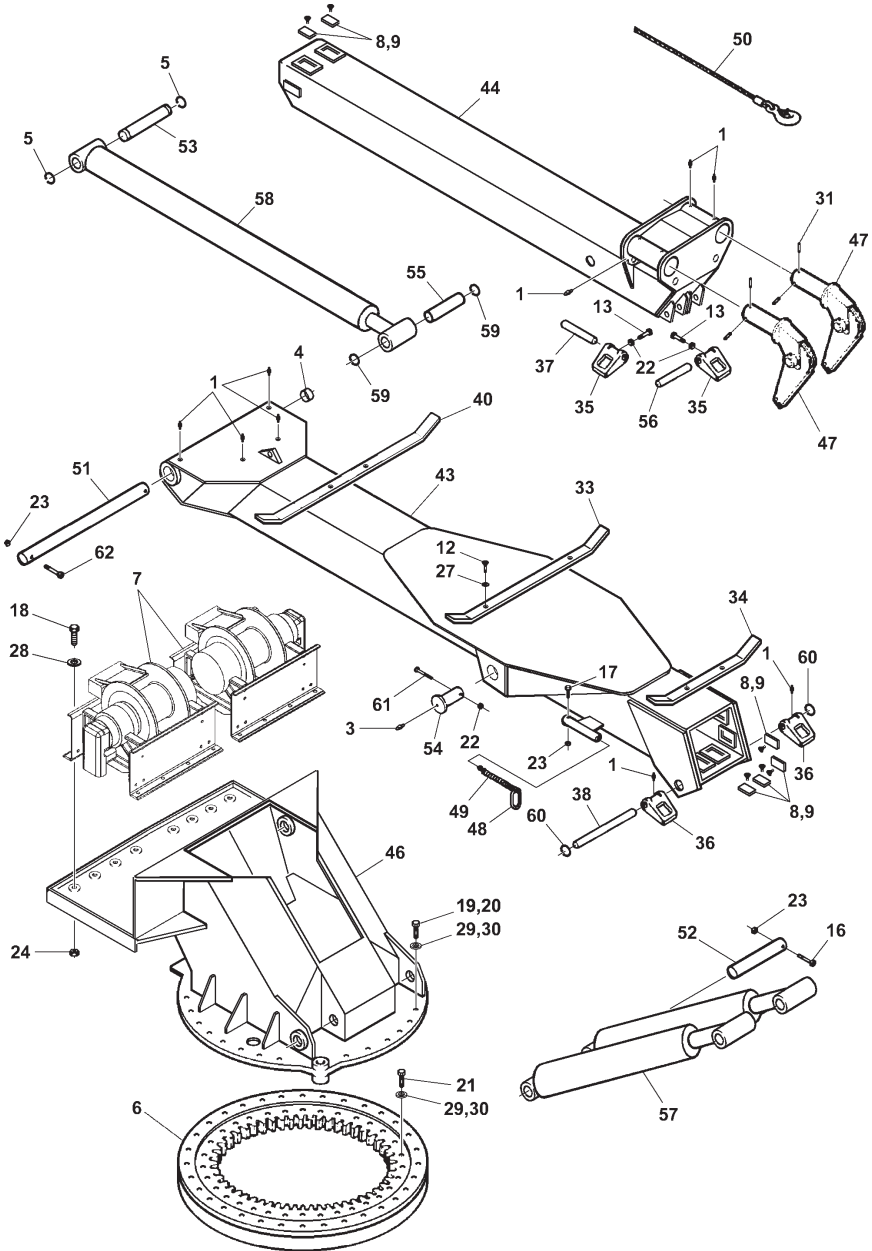
REF. NO.	NO. REQ'D	PART NUMBER	DESCRIPTION
1	2	0200018	FORK, SHORT 3" OPENING
2	2	0200019	FORK, SHORT 4-1/2" OPENING
3	2	0200020	FORK, MEDIUM 3" OPENING
4	2	0200021	FORK, MEDIUM 4-1/2" OPENING
5	2	0200022	FORK, LONG 3" OPENING
6	2	0200023	FORK, LONG 4-1/2" OPENING
7	2	0200024	FORK, OFFSET REAR AXLE 6" OPENING
8	4	0306564	TEE HANDLE, ALUMINUM 5/8" X 1-1/4"
9	2	0400585	HAIR PIN COTTER, 1-1/4"
10	2	0711002	BOLT, MODIFIED 5/8"-11 X 6" w/HOLE
11	1	0801186	CHAIN HOOK ADAPTER, RT
12	1	0801187	CHAIN HOOK ADAPTER, LT
13	2	0801459	RISER BRACKET
14	1	0803591	OFFSET FORK ADAPTER, LT
15	1	0803592	OFFSET FORK ADAPTER, RT
16	2	0802810	SPRING LIFT BRACKET
17	2	0900900	RETAINING PIN ASSEMBLY
18	2	0902321	RETAINER PIN, SPRING LIFT BRACKET

KING PIN & FIFTH WHEEL ADAPTERS

REF. NO.	NO. REQ'D	PART NUMBER	DESCRIPTION
1	1	0803605	KING PIN ADAPTER WELDMENT
--	--	0902782	FIFTH WHEEL ADAPTER (COMPLETE)
2	1	0400555	ROLL PIN, 3/8" X 1-1/2"
3	2	HD1259	PIN, SNAPPER
4	1	VA0660	5TH WHEEL PIVOT PLATE WELDMENT
5	1	VA0661	PULL PIN WELDMENT
6	1	VA0662	PIVOT PIN WELDMENT
--	--	124002211	PINTLE HOOK KIT (COMPLETE)
7	1	0302198	PINTLE HOOK (Not Shown)
8	4	0400176	SCREW, 1/2"-13 X 1" HEX HD CAP
9	4	0400491	LOCKWASHER, 1/2" HELICAL
10	1	0803604	5TH WHEEL, KING PIN ADAPTER & PINTLE HOOK BRACKET
11	2	0902378	RETAINING PIN ASSEMBLY

Section VI - PARTS (cont'd)

9909 RECOVERY BOOM ASSEMBLY



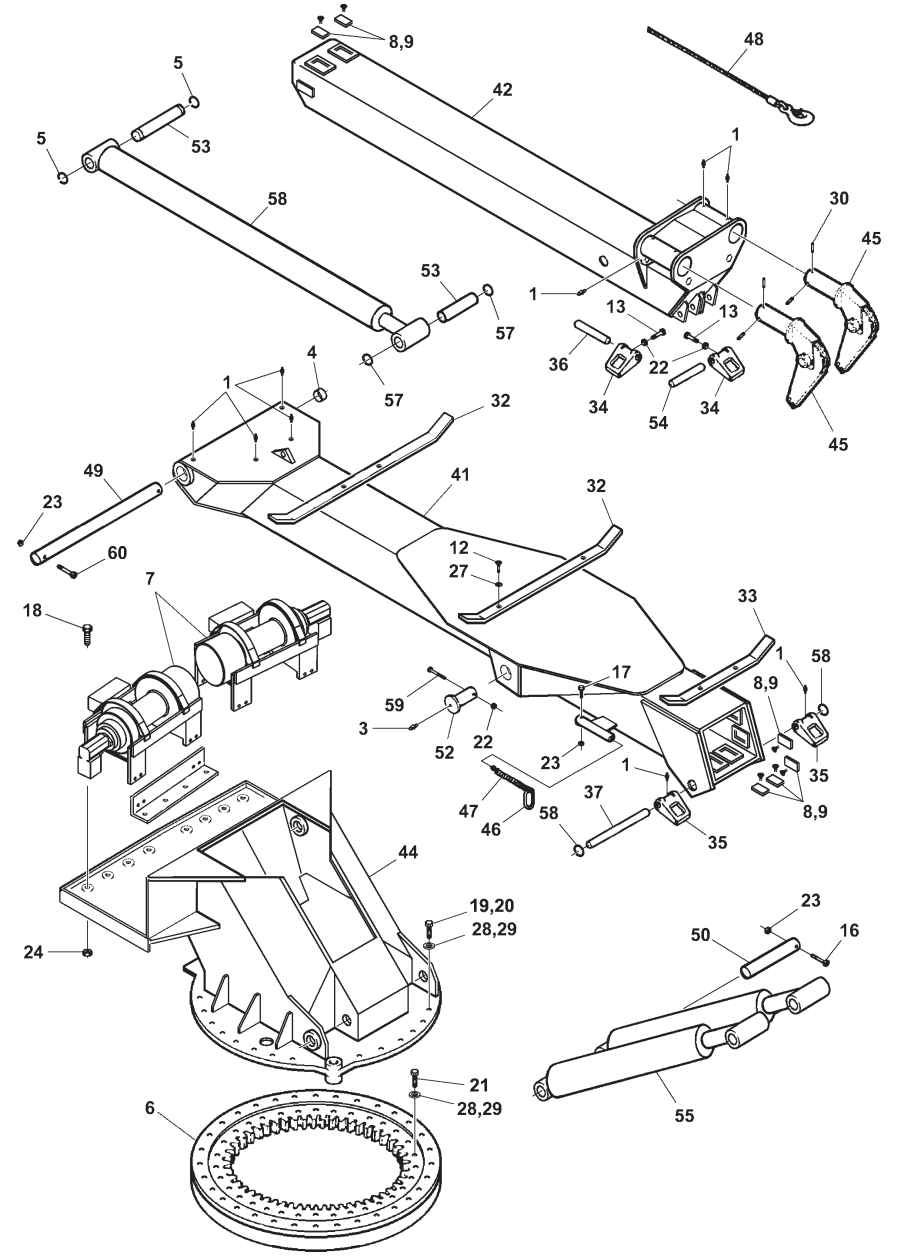
Section VI - PARTS (cont'd)
9909 RECOVERY BOOM ASSEMBLY

REF. NO.	NO. REQ'D	PART NUMBER	DESCRIPTION
1	10	0300113	GREASE FITTING
2	4	0301334	CATERPILLAR GROMMET, 1/2"
3	2	0301895	GREASE FITTING
4	2	0302538	SPG BUSHING, 3.5" OD X 3" ID X 2.5"
5	2	0302776	SNAP RING, EXTERNAL 2"
6	1	0303026	SLEW RING
7	2	0303507	WINCH, DP 60K-2 SPEED
8	9	0306535	WEAR PAD
9	8	0400059	SCREW, 1/4"-20 X 5/8" HEX HD CAP
10	12	0400066	SCREW, 1/4"-20 X 3/4" HEX HD CAP
11	2	0400120	SCREW, 3/8"-16 X 1/2" ALLEN HD SET
12	6	0400121	SCREW, 3/8"-16 X 3/4" HEX HD CAP
13	4	0400130	SCREW, 3/8"-16 X 3-1/2" HEX HD CAP
14	2	0400221	SCREW, 3/8"-16 X 1" SKT HD SET
15	4	0400248	SCREW, 5/8"-11 X 1" HEX HD CAP
16	2	0400255	SCREW, 5/8"-11 X 5-1/2" HEX HD CAP
17	2	0400265	SCREW, 5/8"-11 X 4" HEX HD CAP
18	16	0400307	SCREW, 7/8"-9 X 4" HEX HD CAP GR8
19	1	0400318	SCREW, 1"-8 X 3" SKT HD CAP
20	35	0400336	SCREW, 1"-8 X 3" HEX HD CAP GR8
21	36	0400338	SCREW, 1"-8 X 6-1/2" HEX HD CAP GR8
22	8	0400392	NUT, 3/8"-16 HEX NYLOK
23	5	0400421	NUT, 5/8"-11 HEX NYLOK
24	16	0400437	NUT, 7/8"-9 HEX NYLOK GR8
25	8	0400451	WASHER, 1/4" FLAT
26	12	0400452	LOCKWASHER, 1/4" HELICAL
27	8	0400482	LOCKWASHER, 3/8" HELICAL
28	16	0400513	WASHER, 7/8" FLAT
29	42	0400522	WASHER, 1-1/16 X 2 X 1/8" HARDENED
30	30	0400523	WASHER, 1-1/16 X 2-1/2 X 1/8" HARDENED
31	6	0400557	ROLL PIN, 1/2" X 1-1/4"
32	1	0705907	PLATE, ACCESS COVER
33	1	0706042	CABLE WING, LONG

REF. NO.	NO. REQ'D	PART NUMBER	DESCRIPTION
34	1	0706043	CABLE WING, MEDIUM
35	2	0708452	"D" RING, TOWING
36	2	0708555	"D" RING, TOWING
37	2	0708561	PIN, "D" RING PIVOT (DR0422)
38	1	0708562	PIN, "D" RING
39	4	0713202	ANGLE, MOUNTING
40	1	0715588	CABLE WING, EXTRA LONG
41	9	0715672	PLATE, WEAR PAD SUPPORT
42	2	0801788	CABLE TIE BACK WELDMENT
43	1	0802733	OUTER BOOM WELDMENT
44	1	0802738	INNER BOOM WELDMENT
45	2	0803721	LOCK WELDMENT
46	1	0805825	WRECKER FRAME WELDMENT 9909
47	2	0906537	BOOM SWIVEL ASSEMBLY
48	2	9048800	WELDLESS CHAIN LINK, 5/8"
49	2	945030007	CABLE TIE BACK SPRING
50	2	CH0197	WIRE ROPE, 6 X 26 IWRC, 7/8" X 250 FT.
51	1	DR0220	PIN, BOOM PIVOT
52	2	DR0221	PIN, LIFT CYLINDER
53	1	DR0237	PIN, EXTEND CYLINDER, BASE END
54	2	DR0242	PIN, LIFT CYLINDER
55	1	DR0244	PIN, EXTEND CYLINDER, ROD END
56	2	DR0422	PIN, "D" RING PIVOT
57	2	HC0129	BOOM LIFT CYLINDER
58	1	HC0151	BOOM EXTEND CYLINDER, ALTERED
59	2	HD0151	SNAP RING, 2" INTERNAL
60	2	HD0167	SNAP RING, 1-3/8" EXTERNAL
61	2	HD0243	SCREW, 3/8"-16 X 3-1/2" HEX HD CAP GR8
62	1	HD0252	SCREW, 5/8"-11 X 5" HEX HD CAP
--	--	0904612	BOOM ANGLE KIT (Not Shown)
63	1	0303887	INCLINOMETER KIT
64	4	0400045	SCREW, #10-32 X 1/2" THRD CUT RD HD

Section VI - PARTS (cont'd)

8808 RECOVERY BOOM ASSEMBLY



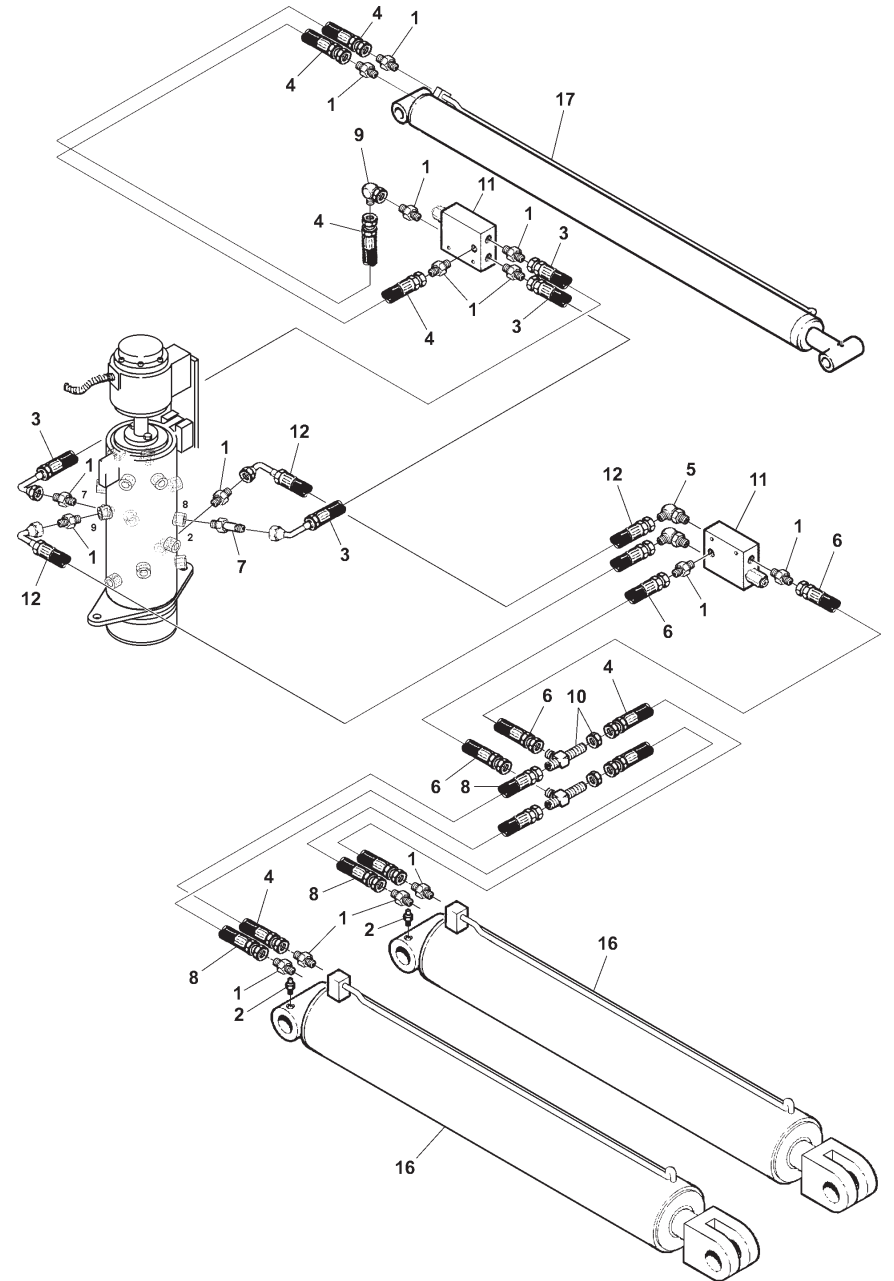
Section VI - PARTS (cont'd)

8808 RECOVERY BOOM ASSEMBLY

REF. NO.	NO. REQ'D	PART NUMBER	DESCRIPTION
1	10	0300113	GREASE FITTING
2	4	0301334	CATERPILLAR GROMMET, 1/2"
3	2	0301895	GREASE FITTING
4	2	0302538	SPG BUSHING, 3.5" OD X 3" ID X 2.5"
5	2	0302776	SNAP RING, EXTERNAL 2"
6	1	0303026	SLEW RING
7	2	0303504	WINCH, DP 50K SINGLE SPEED
8	9	0306535	WEAR PAD
9	8	0400059	SCREW, 1/4"-20 X 5/8" HEX HD CAP
10	12	0400066	SCREW, 1/4"-20 X 3/4" HEX HD CAP
11	2	0400120	SCREW, 3/8"-16 X 1/2" ALLEN HD SET
12	6	0400121	SCREW, 3/8"-16 X 3/4" HEX HD CAP
13	4	0400130	SCREW, 3/8"-16 X 3-1/2" HEX HD CAP
14	2	0400221	SCREW, 3/8"-16 X 1" SKT HD SET
15	4	0400248	SCREW, 5/8"-11 X 1" HEX HD CAP
16	2	0400255	SCREW, 5/8"-11 X 5-1/2" HEX HD CAP
17	2	0400265	SCREW, 5/8"-11 X 4" HEX HD CAP
18	16	0400298	SCREW, 3/4"-10 X 5" HEX HD CAP GR5
19	1	0400318	SCREW, 1"-8 X 3" SKT HD CAP
20	35	0400336	SCREW, 1"-8 X 3" HEX HD CAP GR8
21	36	0400338	SCREW, 1"-8 X 6-1/2" HEX HD CAP GR8
22	8	0400392	NUT, 3/8"-16 HEX NYLOK
23	5	0400421	NUT, 5/8"-11 HEX NYLOK
24	16	0400431	NUT, 3/4"-10 HEX NYLOK GR8
25	8	0400451	WASHER, 1/4" FLAT
26	12	0400452	LOCKWASHER, 1/4" HELICAL
27	8	0400482	LOCKWASHER, 3/8" HELICAL
28	42	0400522	WASHER, 1-1/16 X 2 X 1/8" HARDENED
29	30	0400523	WASHER, 1-1/16 X 2-1/2 X 1/8" HARDENED
30	6	0400557	ROLL PIN, 1/2" X 1-1/4"
31	1	0705907	PLATE, ACCESS COVER
32	2	0706042	CABLE WING, LONG

REF. NO.	NO. REQ'D	PART NUMBER	DESCRIPTION
33	1	0705103	SUPPORT PLATE
34	2	0708452	"D" RING, TOWING
35	2	0708555	"D" RING, TOWING
36	2	0708561	PIN, "D" RING PIVOT (DR0422)
37	1	0708562	PIN, "D" RING
38	4	0711998	ANGLE, WINCH MOUNTING
39	9	0715672	PLATE, WEAR PAD SUPPORT
40	2	0801788	CABLE TIE BACK WELDMENT
41	1	0802616	OUTER BOOM WELDMENT
42	1	0804277	INNER BOOM WELDMENT
43	2	0803721	LOCK WELDMENT
44	1	0805826	WRECKER FRAME WELDMENT 8808
45	2	0906537	BOOM SWIVEL ASSEMBLY
46	2	9048800	WELDLESS CHAIN LINK, 5/8"
47	2	945030007	CABLE TIE BACK SPRING
48	2	0301215	WIRE ROPE, 6 X 37 XIPS, 3/4" X 250 FT.
49	1	DR0220	PIN, BOOM PIVOT
50	2	DR0221	PIN, LIFT CYLINDER
51	1	DR0237	PIN, EXTEND CYLINDER, BASE END
52	2	DR0242	PIN, LIFT CYLINDER
53	1	WK0249	PIN, EXTEND CYLINDER, ROD END
54	2	DR0422	PIN, "D" RING PIVOT
55	2	HC0158	BOOM LIFT CYLINDER
56	1	HC0163	BOOM EXTEND CYLINDER
57	2	HD0151	SNAP RING, 2" INTERNAL
58	2	HD0167	SNAP RING, 1-3/8" EXTERNAL
59	2	HD0243	SCREW, 3/8"-16 X 3-1/2" HEX HD CAP GR8
60	1	HD0252	SCREW, 5/8"-11 X 5" HEX HD CAP
--	--	0904612	BOOM ANGLE KIT (Not Shown)
61	1	0303887	INCLINOMETER KIT
62	4	0400045	SCREW, #10-32 X 1/2" THRD CUT RD HD

Section VI - PARTS (cont'd) RECOVERY BOOM HYDRAULICS



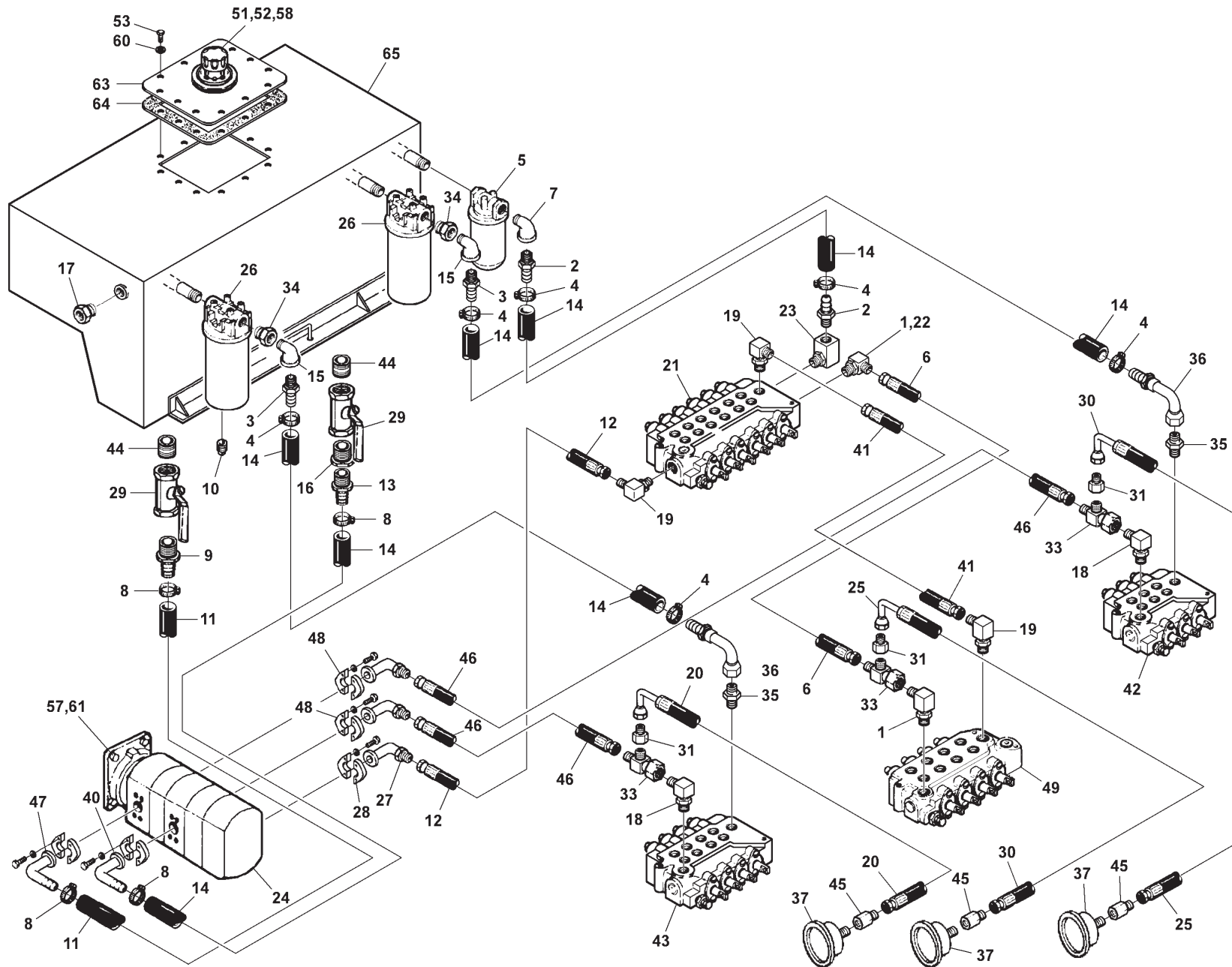
Section VI - PARTS (cont'd)
RECOVERY BOOM HYDRAULICS

Section VI - PARTS (cont'd)
PUMP, VALVE & FILTER HYDRAULICS

REF. NO.	NO. REQ'D	PART NUMBER	DESCRIPTION
1	15	0300041	CONNECTOR, 8MJ-8MB
2	2	0300113	GREASE FITTING
3	2	0300657	HOSE ASSEMBLY, 46"
4	4	0300659	HOSE ASSEMBLY, 45"
5	2	0301388	ELL, 8MJ-8MB90
6	2	0301410	HOSE ASSEMBLY, 23"
7	1	0301445	EXTENDED CONNECTOR, 8MJ-8MBL
8	2	0302304	HOSE ASSEMBLY, 42"
9	1	0302488	ELB, 8MJ-8FJX90
10	2	0302575	BULKHEAD RUN TEE
11	2	0303165	HOLDING VALVE
12	2	0303182	HOSE ASSEMBLY, 41"
13	4	0400078	SCREW, 1/4"-20 X 2" HEX HD CAP (NotShown)
14	4	0400367	NUT, 1/4"-20 NYLOK HEX (NotShown)
15	4	0400451	WASHER, 1/4" FLAT (NotShown)
16	2	HC0129	9909 BOOM LIFT CYLINDER
	2	HC0158	8808 BOOM LIFT CYLINDER
17	1	HC0151	9909 EXTEND CYLINDER
	1	HC0163	8808 EXTEND CYLINDER

Section VI - PARTS (cont'd)

PUMP, VALVE & FILTER HYDRAULICS



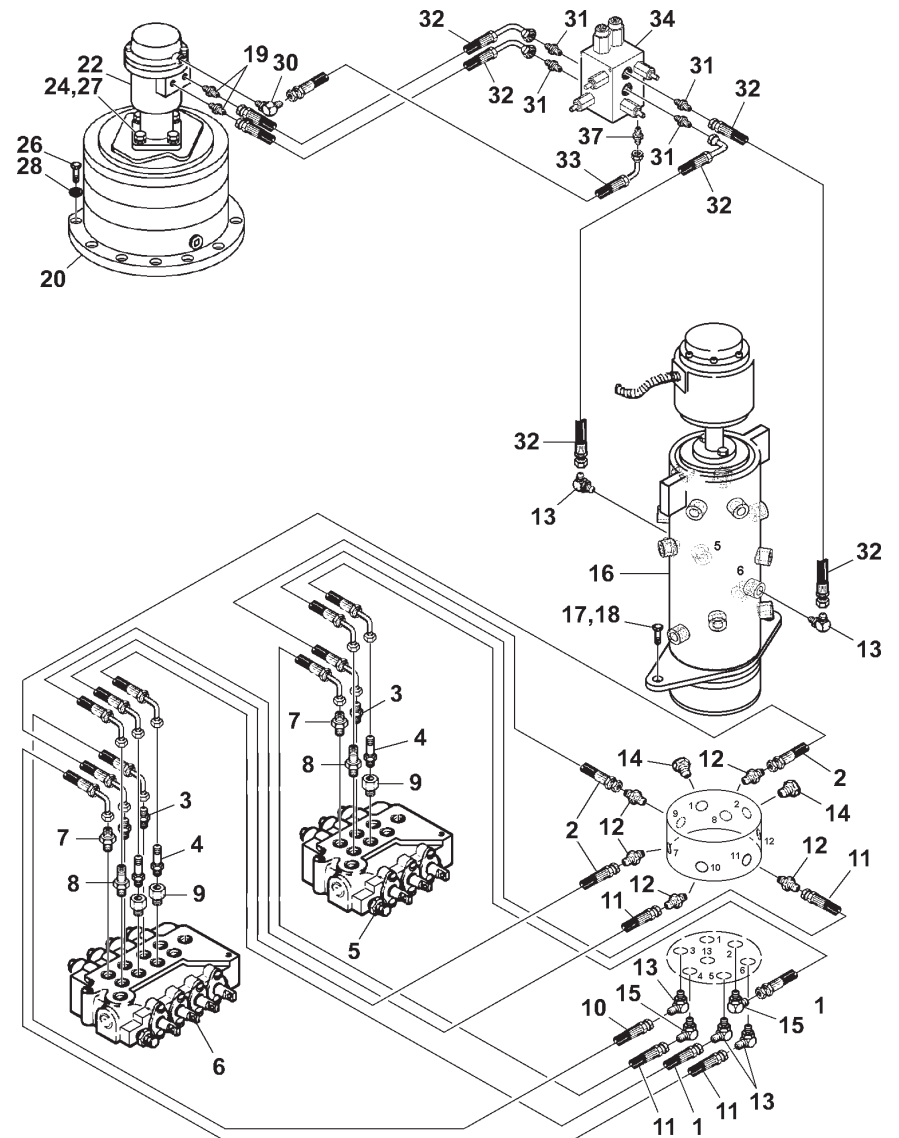
Section VI - PARTS (cont'd)

PUMP, VALVE & FILTER HYDRAULICS

REF. NO.	NO. REQ'D	PART NUMBER	DESCRIPTION
1	2	0300052	ELBOW, 8MJ-10MB90
2	2	0300055	HOSE BARB, 12C4-12MP
3	2	0300056	BARB, 16C4-16MP
4	6	0300071	CLAMP, HOSE, 1"
5	1	0300136	RETURN LINE FILTER ASSEMBLY
6	1	0300212	HOSE ASSEMBLY, 115"
7	1	0300288	STREET ELBOW, 90°, 3/4"
8	4	0300364	CLAMP, HOSE, 1" - 2-1/4"
9	1	0300434	HOSE BARB, 2"
10	1	0300446	PIPE PLUG, 3/4" NPT MALE
11	15 FT.	0300558	SUCTION HOSE, 2"
12	1	0300660	HOSE ASSEMBLY, 120"
13	1	0300666	BARB, 24C4-24MP
14	15 FT.	0300671	SUCTION HOSE, 1-1/2"
15	2	0300692	STREET ELBOW, 90°, 1"
16	1	0301373	PIPE BUSHING, 2" NPT-1-1/2" NPT
17	1	0301541	SIGHT GAGE, TYPE S-1
18	2	0301545	ELBOW, 12MJ-12MB90
19	3	0301547	ELBOW, 8MJ-12MB90
20	1	0301695	HOSE ASSEMBLY, 91"
21	1	0301762	CONTROL VALVE, VDP12DDDDDD10
22	1	0301763	H.P.C.O. ADAPTER
23	1	0301792	ELBOW, 16MB-12FR90
24	1	0301836	HYDRAULIC PUMP, OPPOSITE ENGINE
25	1	0301880	HOSE ASSEMBLY, 107"
26	2	0301894	SPIN-ON FILTER ASSEMBLY
27	1	0301904	ELBOW, 8MJ-12FL90
28	1	0301905	"O" RING FLANGE KIT, 12FH
29	2	0301961	BALL VALVE, BRONZE
30	1	0301965	HOSE ASSEMBLY, 106"
31	3	0301995	ADAPTER, 8FJ-6MJ
32	2	0302010	STREET ELL, 2" 45 DEG.
33	3	0302052	TEE, 8MJ-8FJX-8MJ

REF. NO.	NO. REQ'D	PART NUMBER	DESCRIPTION
34	2	0302108	REDUCER BUSHING, 20MP-16FP
35	2	0302169	"O"-RING CONNECTOR, 16MJ-12MB
36	2	0302170	BENT TUBE, SWIVEL 16C2-16FJX90
37	3	0302205	GAUGE, FLUSH MOUNT, 6000 PSI
38	4	0302227	CENTER BONDED MOUNT (Not Shown)
39	4	0302228	SPECIAL WASHER (Not Shown)
40	1	0302242	FLANGE FITTING, 24FL-24HOSE90
41	1	0302277	HOSE ASSEMBLY, 106"
42	1	0302296	CONTROL VALVE, VDP12CDD118
43	1	0302334	CONTROL VALVE, VDP12CDD10
44	2	0302367	PIPE NIPPLE, 2" X 4"
45	3	0302577	CONNECTOR, 6MJ-4FP
46	2	0302901	HOSE ASSEMBLY, 120"
47	1	0302931	ELBOW, FLANGE 24-32FL90 W/ FLANGE KIT
48	2	0302932	ELBOW, 12MJ-20FL90 W/ FLANGE KIT
49	1	0303093	CONTROL VALVE
50	12	0303290	CLAMP, 2-1/2" INSULATED (Not Shown)
51	1	0305006	FILLER CAP
52	6	0400036	SCREW, #10-32 X 1" RD HD MACH
53	12	0400122	SCREW, 3/8"-16 X 1-1/4" HEX HD CAP
54	6	0400135	SCREW, 3/8"-16 X 4-1/2" HEX HD CAP (N.S.)
55	3	0400140	SCREW, 3/8"-16 X 4" HEX HD CAP (N.S.)
56	2	0400150	SCREW, 3/8"-16 X 2-1/2" HEX HD CAP (N.S.)
57	4	0400177	SCREW, 1/2"-13 X 1-1/4" HEX HD CAP
58	6	0400357	NUT, #10-32 NYLOK HEX
59	13	0400392	NUT, 3/8"-16 NYLOK HEX (Not Shown)
60	12	0400482	LOCKWASHER, 3/8" HELICAL
61	4	0400491	LOCKWASHER, 1/2" HELICAL
62	6	0704045	SPACER, CONTROL VALVE (Not Shown)
63	1	0705910	COVER PLATE
64	1	0706114	GASKET, CLEANOUT & FILLER COVER
65	1	0802799	RESERVOIR WELDMENT

Section VI - PARTS (cont'd) WRECKER HYDRAULICS



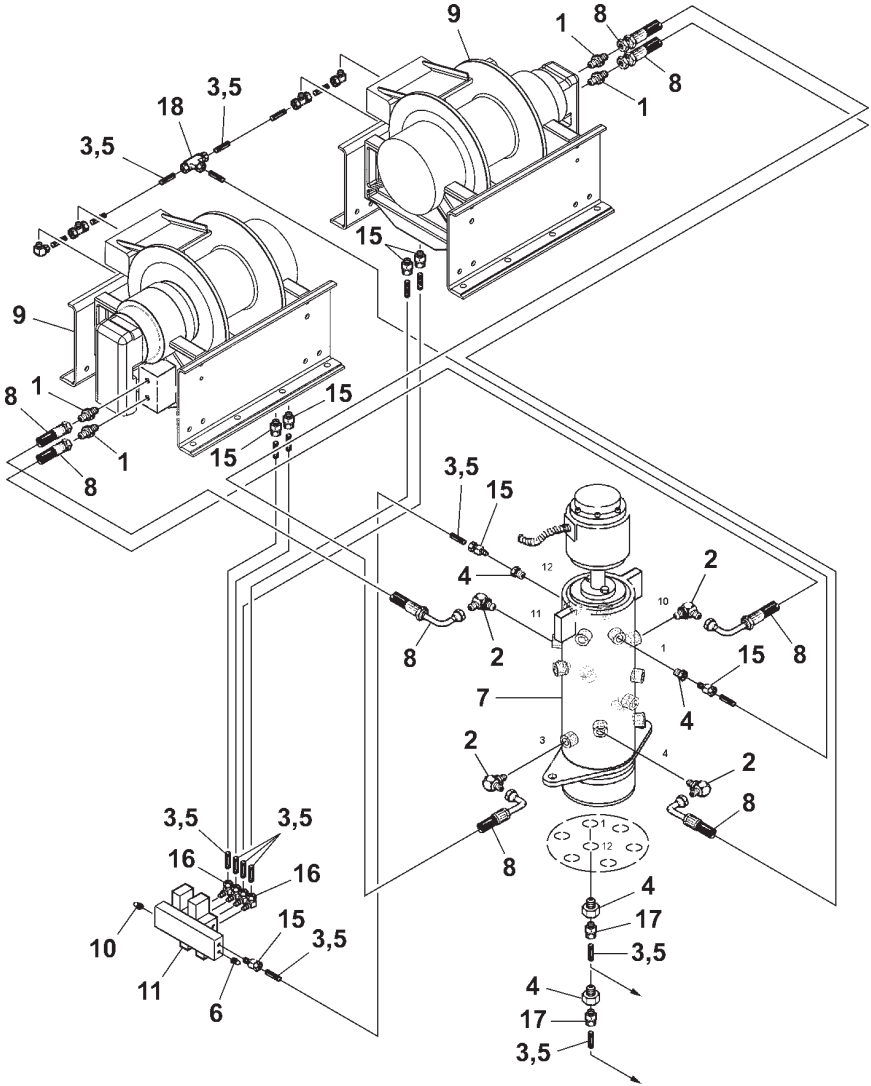
Section VI - PARTS (cont'd)

WRECKER HYDRAULICS

REF. NO.	NO. REQ'D	PART NUMBER	DESCRIPTION
1	2	0300787	HOSE ASSEMBLY, 53"
2	3	0301370	HOSE ASSEMBLY, 65"
3	3	0301376	CONNECTOR, 8MJ-10MB
4	3	0301445	EXTENDED CONNECTOR, 8MJ-8MBL
5	1	0302296	CONTROL VALVE, VDP12CDD118
6	1	0302334	CONTROL VALVE, VDP12CDCD10
7	2	0302827	CONNECTOR, 10MJ-10MB
8	2	0302828	CONNECTOR, 10MJ-10MBL
9	3	0303176	CONNECTOR, 10MB-8FB
10	1	0303182	HOSE ASSEMBLY, 41"
11	4	0303183	HOSE ASSEMBLY, 50"
--	--	0903031	ROTARY SWIVEL ASSEMBLY
12	5	0300041	CONNECTOR, 8MJ-8MB
13	4	0301388	ELL, 8MJ-8MB90
14	4	0302031	PLUG, 8MB HEX SKT
15	2	0302508	ELBOW, 8MJ-8MB90LL
16	2	0303028	HYDRAULIC SWIVEL
17	2	0400272	SCREW, 5/8"-11 X 2-3/4" HEX HD CAP
18	2	0400421	NUT, 5/8"-11 NYLOK HEX
--	--	0904469	PLANETARY GEAR REDUCER & HYDRAULIC MOTOR ASSEMBLY
19	2	0301376	CONNECTOR, 8MJ-10MB
20	1	0303030	PLANETARY GEAR BOX
21	1	0303031	PINION GEAR (Not Shown)
22	1	0306703	HYDRAULIC MOTOR
23	1	0306943	GEARBOX BRAKE (Not Shown)
24	4	0400176	SCREW, 1/2"-13 X 1" HEX HD CAP
25	2	0400192	SCREW, 1/2"-20 X 1-3/4" SKT HD CAP (N.S.)
26	16	0400254	SCREW, 5/8"-11 X 2-1/2" HEX HD CAP
27	6	0400491	LOCKWASHER, 1/2" HELICAL
28	16	0400508	LOCKWASHER, 5/8" HELICAL
29	1	0709366	PINION RETAINER (Not Shown)
30	1	IC209	ADAPTER, 6MJ-4MB90
--	--	0904741	SWING VALVE KIT
31	4	0301376	CONNECTOR, 8MJ-10MB
32	4	0301471	HOSE ASSEMBLY, 30"
33	1	0303994	HOSE ASSEMBLY, 22"
34	1	0306924	SWING CONTROL VALVE
35	2	0400367	NUT, 1/4"-20 NYLOK HEX
36	2	0400615	SCREW, 1/4"-20 X 4-1/2" HEX HD CAP
37	1	HC1291	FITTING, 4MJ-4MB STR THR

Section VI - PARTS (cont'd)

9909 WINCH HYDRAULICS & AIR FREE SPOOL



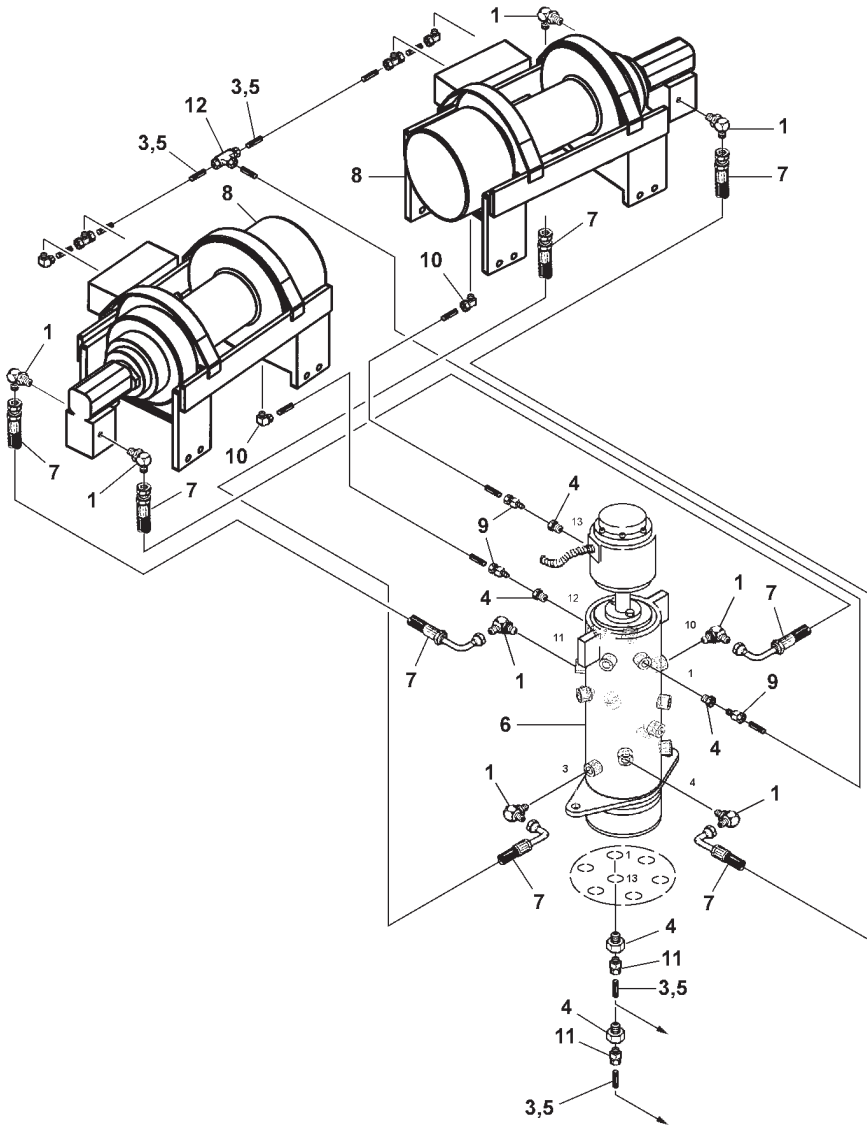
Section VI - PARTS (cont'd)

9909 WINCH HYDRAULICS & AIR FREE SPOOL

REF. NO.	NO. REQ'D	PART NUMBER	DESCRIPTION
1	4	0300041	CONNECTOR, 8MJ-8MB
2	4	0301388	ELBOW, 8MJ-8MB90
3	20 FT.	0301577	AIR HOSE, 1/4" O.D.
4	4	0302320	REDUCER, 8MB-4FP
5	20 FT.	0302495	CONVOLUTED LOOM, 1/4"
6	1	0302677	BREATHER VENT, 2MP
7	1	0303028	HYDRAULIC SWIVEL
8	4	0303189	HOSE ASSEMBLY, 105"
9	2	0303507	WINCH, DP 60K-2 SPEED
10	2	0306977	FITTING BRASS PLUG 1/8
11	1	0306980	AIR SOLENOID STK
12	2	0400367	NUT, 1/4"-20 HEX NYLOK
13	2	0400458	LOCKWASHER, 1/4" STAR
14	2	0402024	SCREW, 1/4"-20 X 1-1/4" SKT HD
15	7	9010024	FITT, BRASS CONN 1/4T-1
16	4	9010030	FITT, BRASS ELB 1/4T-1/
17	2	9011053	FITT, BRASS CONN 1/4T-1
18	1	9011071	FITT, BRASS TEE 1/4T-1/

Section VI - PARTS (cont'd)

8808 WINCH HYDRAULICS & AIR FREE SPOOL

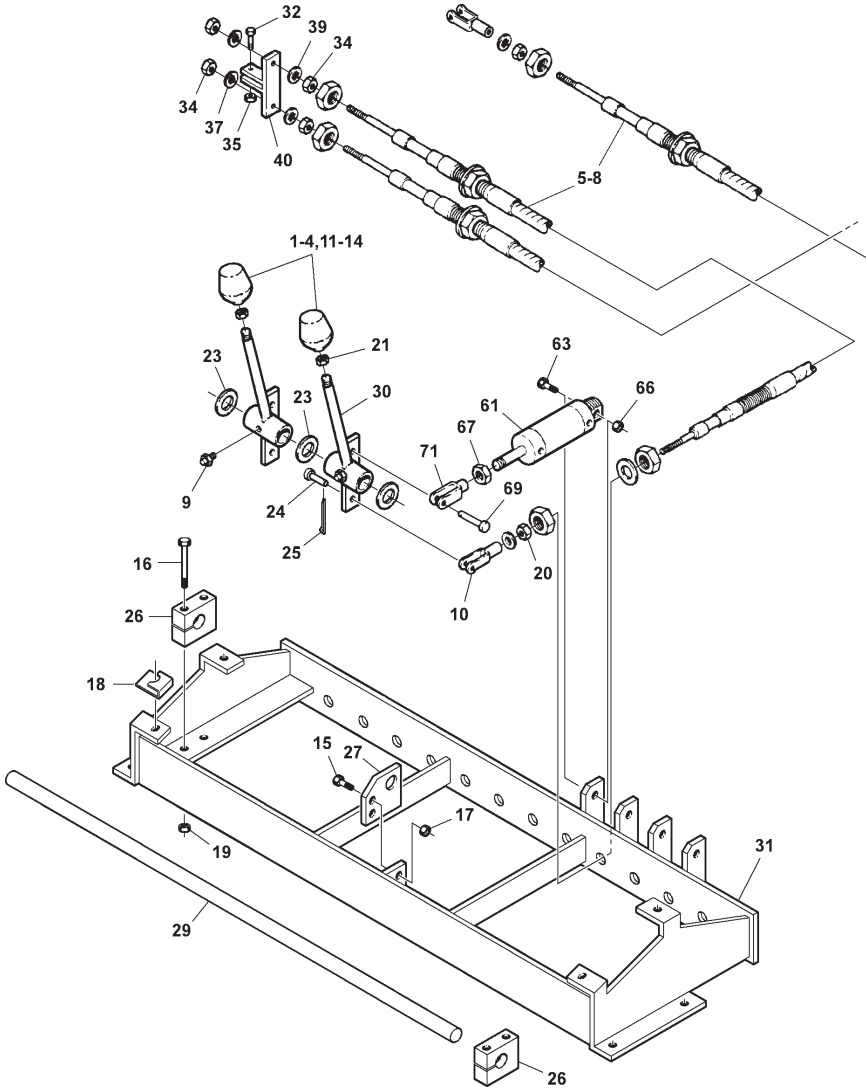


Section VI - PARTS (cont'd)
8808 WINCH HYDRAULICS
& AIR FREE SPOOL

REF. NO.	NO. REQ'D	PART NUMBER	DESCRIPTION
1	8	0301388	ELBOW, 8MJ-8MB90
2	4	0300897	RUBBER GROMMET
3	60 FT.	0301577	AIR HOSE, 1/4" O.D.
4	4	0302320	REDUCER, 8MB-4FP
5	60 FT.	0302495	CONVOLUTED LOOM, 1/4"
6	1	0303028	HYDRAULIC SWIVEL
7	4	0303189	HOSE ASSEMBLY, 105"
8	2	0303504	WINCH, DP 50K SINGLE SPEED
9	2	9010024	FITT, BRASS CONN 1/4T-1
10	2	9010030	FITT, BRASS ELB 1/4T-1/
11	2	9010520	FITT, BRASS ELB 1/4T-1/4MP
12	2	9011053	FITT, BRASS CONN 1/4T-1
13	1	9011071	FITT, BRASS TEE 1/4T-1/

Section VI - PARTS (cont'd)

LEFT CONTROL ASSEMBLY



Section VI - PARTS (cont'd)

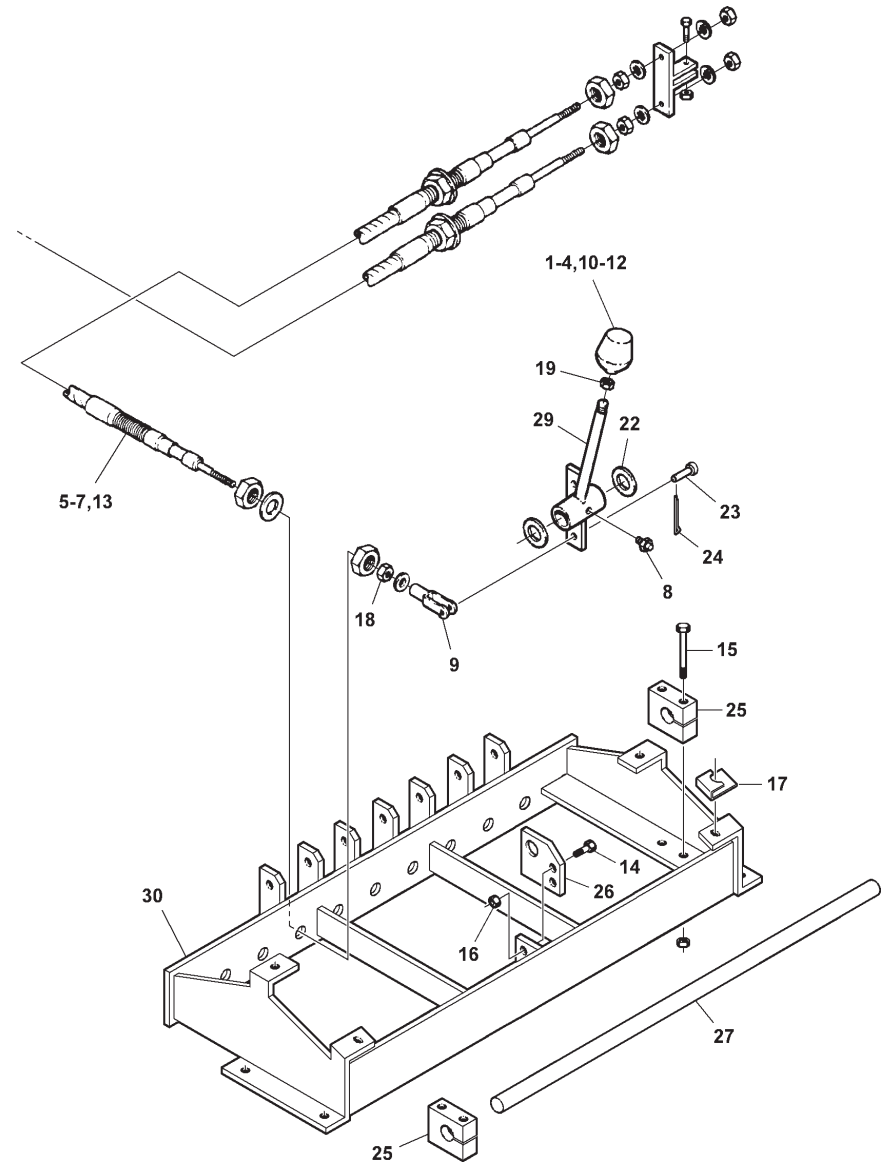
LEFT CONTROL ASSEMBLY

REF. NO.	NO. REQ'D	PART NUMBER	DESCRIPTION
1	2	0300834	CONTROL KNOB, IN-OUT
2	1	0300835	CONTROL KNOB, BOOM UP-DOWN
3	2	0300836	CONTROL KNOB, JACK UP-DOWN
4	1	0300837	CONTROL KNOB, BOOM IN-OUT
5	2	0301884	CONTROL CABLE, 96"
6	5	0301969	CONTROL CABLE, 84"
7	3	0302455	CONTROL CABLE, 79"
8	1	0302457	CONTROL CABLE, 104"
9	11	0302726	GREASE FITTING, 1/4"-28 X 45°
10	11	0303008	ADJUSTABLE CLEVIS
11	1	0303379	CONTROL KNOB, SWING CW-CCW
12	1	0303380	CONTROL KNOB, UNDERLIFT IN-OUT
13	1	0303381	CONTROL KNOB, UNDERLIFT UP-DOWN
14	1	0303382	CONTROL KNOB, FOLD UP-DOWN
15	2	0400066	SCREW, 1/4"-20 X 3/4" HEX HD CAP
16	4	0400107	SCREW, 5/16"-18 X 2-1/2" HEX HD CAP
17	2	0400367	NUT, 1/4"-20 HEX NYLOK
18	4	0400379	NUT, 5/16"-18 "J" TINNERMAN
19	13	0400382	NUT, 5/16"-18 HEX NYLOK
20	11	0400383	NUT, 5/16"-24 HEX NYLOK
21	11	0400393	NUT, 3/8"-16 HEX JAM
22	4	0400451	WASHER, 1/4" FLAT
23	11	0400512	WASHER, 3/4" FLAT (SPECIAL)
24	11	0400532	CLEVIS PIN, 5/16" X 1"
25	11	0400541	COTTER PIN, 1/16" X 3/4"
26	2	0711235	CLAMP, SHAFT CONTROL BOX
27	1	0711245	PLATE, SHAFT SUPPORT
28	1	0711574	TUBE, SPACER
29	1	0711984	PIN, CONTROL BOX
30	11	0803294	CONTROL HANDLE WELDMENT
31	1	0804066	CONTROL FRAME WELDMENT
--	--	0906749	LEFT & RIGHT CONTROL LINK KIT
32	7	0400112	SCREW, 5/16"-24 X 1-1/4" HEX HD CAP
33	10	0400122	SCREW, 3/8"-16 X 1-1/4" HEX HD CAP
34	28	0400383	NUT, 5/16"-24 HEX
35	7	0400384	NUT, 5/16"-24 HEX NYLOK
36	10	0400392	NUT, 3/8"-16 HEX NYLOK
37	28	0400466	LOCKWASHER, 5/16" INT. TOOTH
38	3	0711249	PLATE, CONTROL (NOT SHOWN)
39	2	0711251	PLATE, CONTROL (NOT SHOWN)
40	7	0801054	CONTROL CABLE CONNECTOR

SDU REMOTE CONTROL ASSEMBLY

REF. NO.	NO. REQ'D	PART NUMBER	DESCRIPTION
--	--	0903804	SDU REMOTE CONTROL ASSEMBLY
41	10	0300166	WIRE CONNECTOR, SPADE
42	1	0301574	ELBOW, 4TB-4MP90
43	15 FT.	0301577	AIR HOSE, 1/4" O.D.
44	2	0301610	CONNECTOR, 4TB-4MP
45	2	0301618	BRASS PLUG, 4MP
46	2	0302048	CABLE SEALING GRIP
47	2	0302340	HEX PIPE BUSHING
48	1	0302431	CONVOLUTED LOOM, 3/8" X 8"
49	35	0302434	CABLE TIE, 4" 18 LB.
50	1	0302677	BREATHER VENT, 2MP
51	12	0302678	ELBOW, 4TB-2MP
52	1	0302844	AIR SOLENOID VALVE (6)
53	1	0303226	CIRCUIT BREAKER, HI-AMP WATERPROOF
54	1	0303235	TERMINAL BLOCK
55	8 FT.	0303322	ELECTRICAL CABLE, 16/10 SO
56	1	0303363	AIR FILTER/REGULATOR
57	1	0303364	AIR LUBRICATOR
58	1	0303365	MOUNTING BRACKET
59	1	0303735	BREATHER VENT
60	1	0303781	POWER PAL, 8 POSITION
61	3	0306698	AIR CYLINDER
62	2	0400025	SCREW, #8-32 X 3/4" RD HD SLOTTED
63	3	0400057	SCREW, 1/4"-20 X 1-1/4" HEX HD CAP
64	2	0400078	SCREW, 1/4"-20 X 2" HEX HD CAP
65	2	0400351	HEX NUT & STAR WASHER, #8-32
66	5	0400367	NUT, 1/4"-20 HEX NYLOK
67	3	0400401	NUT, 7/16"-20 HEX JAM
68	2	0400451	WASHER, 1/4" FLAT
69	3	0400527	CLEVIS PIN, 5/16" X 5/8" COTTERLESS
70	1	0711277	SUPPORT, SOLENOID VALVE
71	3	0803181	CLEVIS WELDMENT
72	1	HA0132	GAUGE, 0-160 PSI

Section VI - PARTS (cont'd) RIGHT CONTROL ASSEMBLY



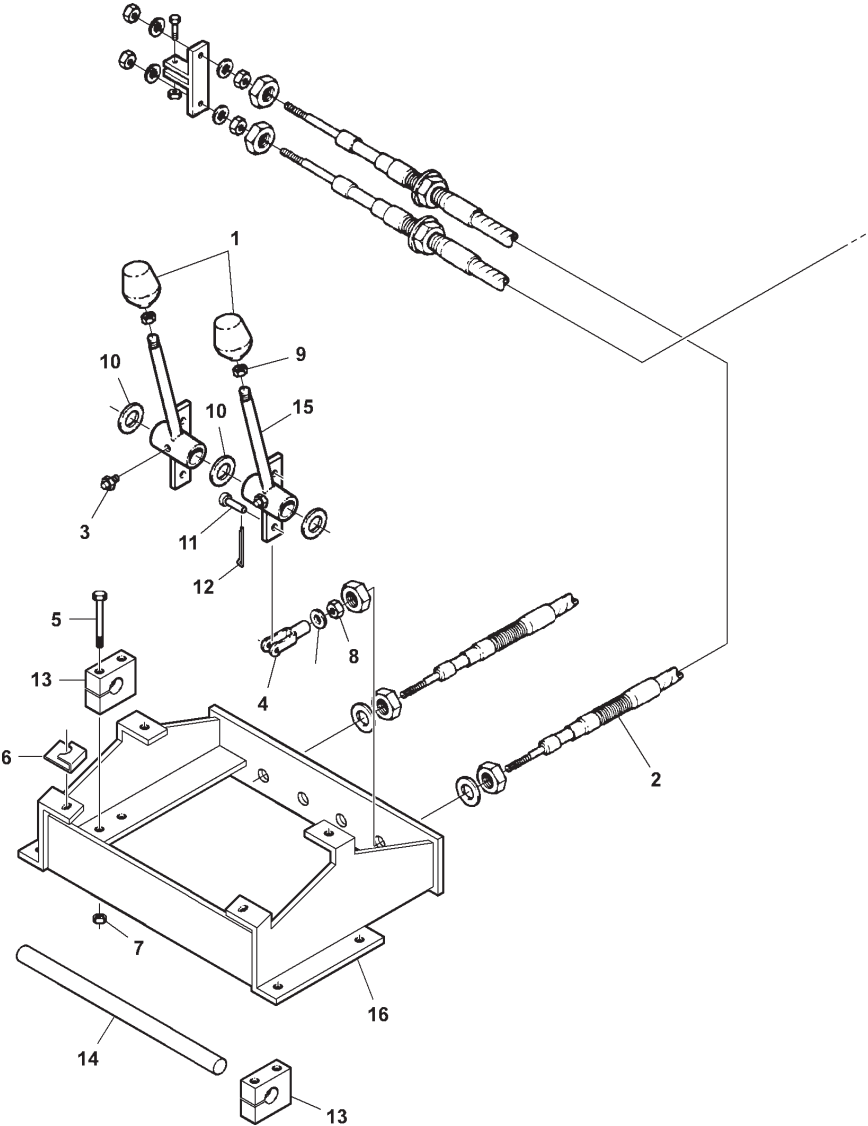
Section VI - PARTS (cont'd)

RIGHT CONTROL ASSEMBLY

REF. NO.	NO. REQ'D	PART NUMBER	DESCRIPTION
1	2	0300834	CONTROL KNOB, IN-OUT
2	1	0300835	CONTROL KNOB, BOOM UP-DOWN
3	2	0300836	CONTROL KNOB, JACK UP-DOWN
4	1	0300837	CONTROL KNOB, BOOM IN-OUT
5	3	0301884	CONTROL CABLE, 96"
6	1	0301969	CONTROL CABLE, 84"
7	1	0302457	CONTROL CABLE, 104"
8	7	0302726	GREASE FITTING, 1/4"-28 X 45°
9	7	0303008	ADJUSTABLE CLEVIS
10	1	0303379	CONTROL KNOB, SWING CW-CCW
11	1	0303380	CONTROL KNOB, UNDERLIFT IN-OUT
12	1	0303381	CONTROL KNOB, UNDERLIFT UP-DOWN
13	2	0303427	CONTROL CABLE, 114"
14	2	0400066	SCREW, 1/4"-20 X 3/4" HEX HD CAP
15	4	0400107	SCREW, 5/16"-18 X 2-1/2" HEX HD CAP
16	2	0400367	NUT, 1/4"-20 HEX NYLOK
17	4	0400379	NUT, 5/16"-18 "J" TINNEMAN
18	9	0400383	NUT, 5/16"-24 HEX
19	9	0400393	NUT, 3/8"-16 HEX JAM
20	4	0400451	WASHER, 1/4" FLAT
22	9	0400512	WASHER, 3/4" FLAT (SPECIAL)
23	7	0400532	CLEVIS PIN, 5/16" X 1"
24	7	0400541	COTTER PIN, 1/16" X 3/4"
25	2	0711235	CLAMP, SHAFT CONTROL BOX
26	1	0711245	PLATE, SHAFT SUPPORT
27	1	0711246	PIN, CONTROL BOX
28	2	0711574	TUBE, SPACER (Not Shown)
29	7	0803294	CONTROL HANDLE WELDMENT
30	1	0804060	CONTROL FRAME WELDMENT

Section VI - PARTS (cont'd)

CONTROL ASSEMBLY (2 REQ'D)



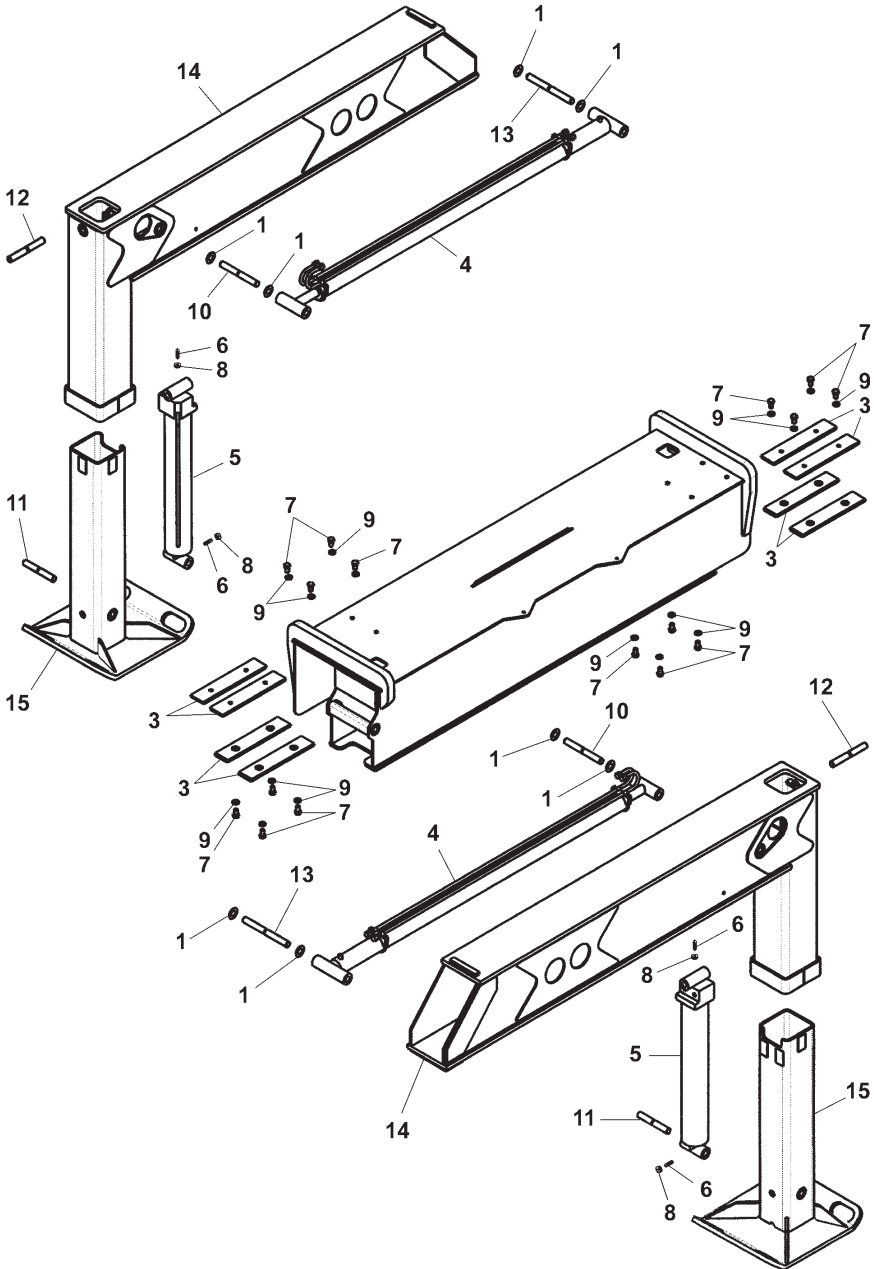
Section VI - PARTS (cont'd)

CONTROL ASSEMBLY (2 REQ'D)

REF. NO.	NO. REQ'D	PART NUMBER	DESCRIPTION
1	4	0300341	CONTROL KNOB
2	4	0302449	CONTROL CABLE, 148"
3	4	0302726	GREASE FITTING, 1/4"-28 X 45°
4	4	0303008	ADJUSTABLE CLEVIS
5	4	0400107	SCREW, 5/16"-18 X 2-1/2" HEX HD CAP
6	4	0400379	NUT, 5/16"-18 "J" TINNEMAN
7	4	0400382	NUT, 5/16"-18 HEX NYLOK
8	4	0400383	NUT, 5/16"-24 HEX
9	4	0400393	NUT, 3/8"-16 HEX JAM
10	6	0400512	WASHER, 3/4" FLAT (SPECIAL)
11	4	0400532	CLEVIS PIN, 5/16" X 1"
12	4	0400541	COTTER PIN, 1/16" X 3/4"
13	2	0711235	CLAMP, SHAFT CONTROL BOX
14	1	0712760	PIN, CONTROL BOX
15	4	0803294	CONTROL HANDLE WELDMENT
16	1	0804063	CONTROL FRAME WELDMENT

Section VI - PARTS (cont'd)

FRONT OUTRIGGER ASSEMBLY



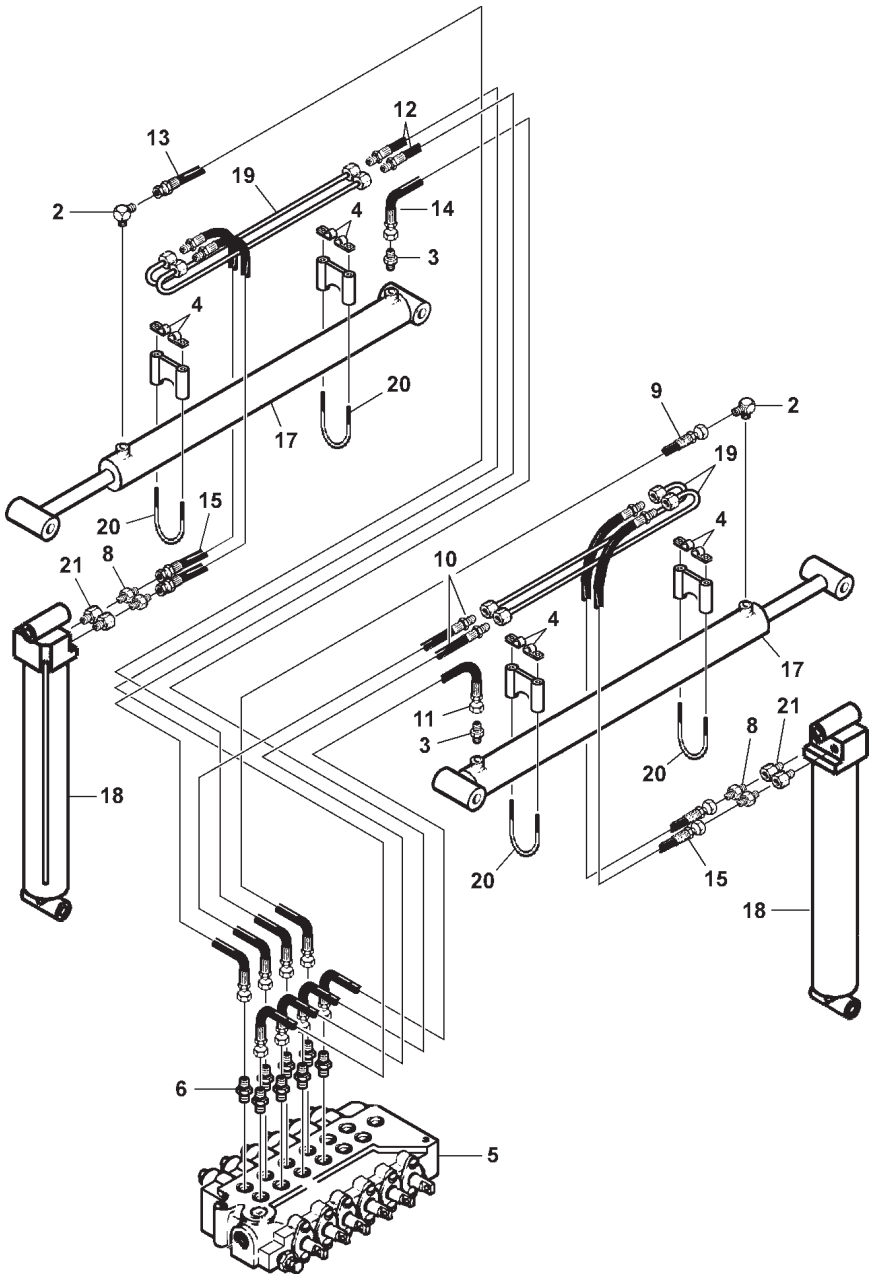
Section VI - PARTS (cont'd)

FRONT OUTRIGGER ASSEMBLY

REF. NO.	NO. REQ'D	PART NUMBER	DESCRIPTION
1	8	0300110	SNAP RING, 1"
2	4	0300113	GREASE FITTING
3	8	0301923	SLIDE PAD, BOOM BOTTOM
4	2	0303550	EXTEND CYLINDER
5	2	0303688	SPADE CYLINDER
6	4	0400139	SCREW, 3/8"-16 X 1-1/2" HEX SKT SET
7	16	0400248	SCREW, 5/8"-11 X 1" HEX HD CAP
8	4	0400392	NUT, 3/8"-16 NYLOK HEX
9	16	0400508	LOCKWASHER, 5/8" HELICAL
10	2	0703137	SHAFT, EXTEND CYLINDER OUTER BOOM
11	2	0703458	SHAFT, JACK CYLINDER ,LOWER
12	2	0706812	SHAFT, JACK CYLINDER, UPPER
13	2	0716813	SHAFT, EXTEND CYLINDER BASE
14	2	0805904	FRONT OUTRIGGER BEAM WELDMENT
15	2	0805905	FRONT OUTRIGGER VERT TUBE WELDMENT

Section VI - PARTS (cont'd)

FRONT OUTRIGGER HYDRAULICS



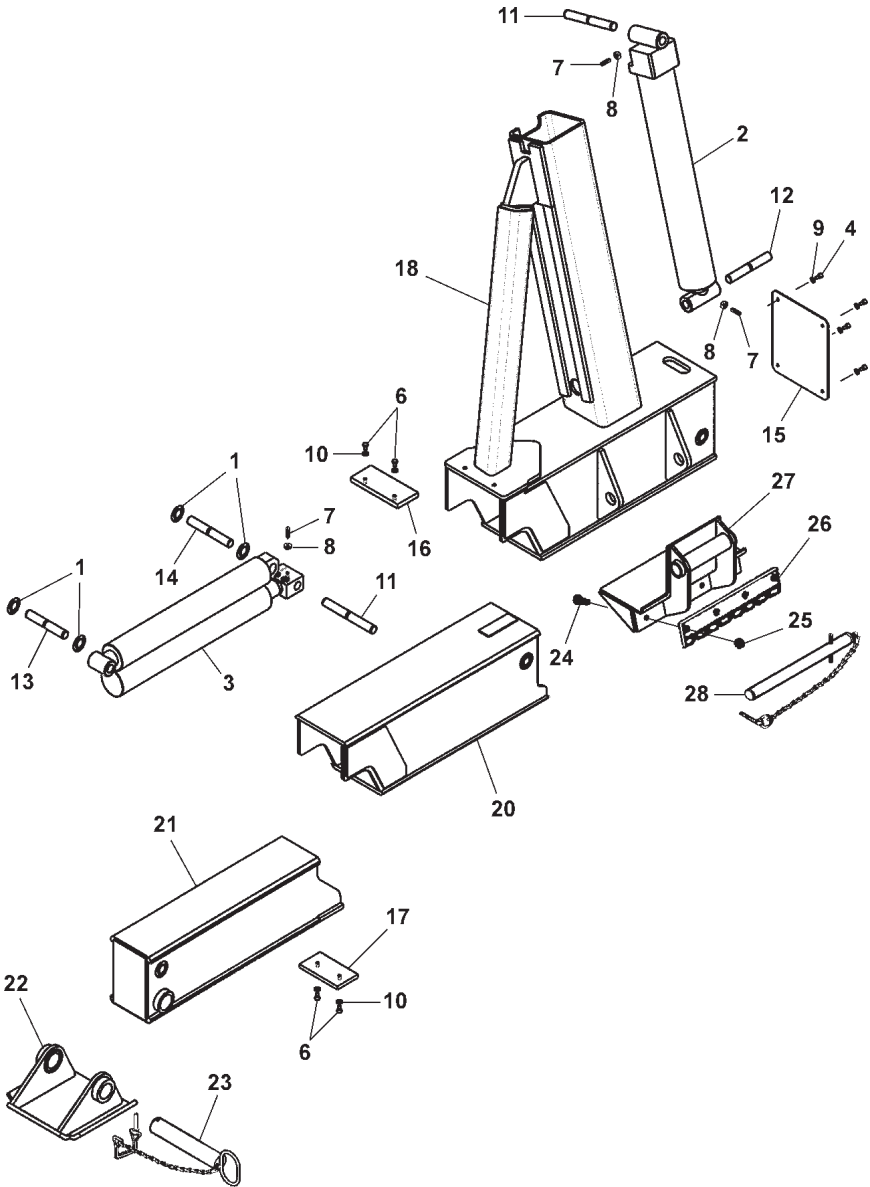
Section VI - PARTS (cont'd)

FRONT OUTRIGGER HYDRAULICS

REF. NO.	NO. REQ'D	PART NUMBER	DESCRIPTION
1	4	0300134	HOSE CLAMP, INSULATED 1" (Not Shown)
2	2	0300142	ELBOW, 6MJ-4MP90
3	2	0301424	CONNECTOR, 6MJ-4MP
4	8	0301487	HOSE CLAMP, 1/2"
5	1	0301762	CONTROL VALVE, VDP12DDDDDD10
6	8	0301778	CONNECTOR, 6MJ-10MB
7	10	0302433	CABLE TIE (Not Shown)
8	4	0302510	ADAPTER, 6MJ-6MBL
9	1	0302635	HOSE ASSEMBLY, 131"
10	2	0303184	HOSE ASSEMBLY, 73"
11	1	0303185	HOSE ASSEMBLY, 66"
12	2	0303186	HOSE ASSEMBLY, 82"
13	1	0303187	HOSE ASSEMBLY, 141"
14	1	0303188	HOSE ASSEMBLY, 75"
15	4	0303191	HOSE ASSEMBLY, 96"
16	32 FT.	0303193	BLACK SKUFF JACKET
17	2	0303550	EXTEND CYLINDER
18	2	0303688	SPADE CYLINDER
19	4	0307022	HYDRAULIC TUBING
20	4	0307023	SADDLE CLAMP, 2-1/2" PIPE
21	4	0307024	FITTING, 6FB-8MP

Section VI - PARTS (cont'd)

REAR OUTRIGGER ASSEMBLY



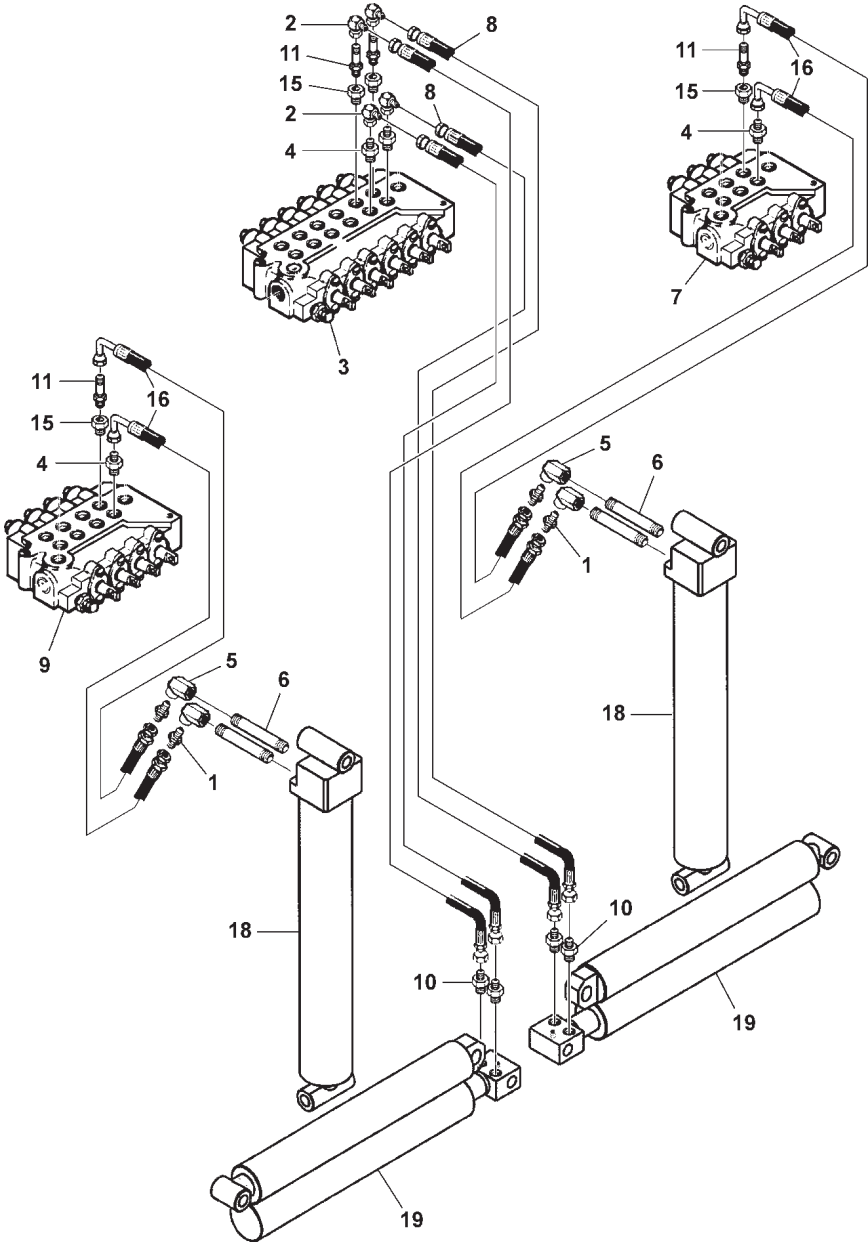
Section VI - PARTS (cont'd)

REAR OUTRIGGER ASSEMBLY

REF. NO.	NO. REQ'D	PART NUMBER	DESCRIPTION
1	12	0300110	SNAP RING, 1"5100-100
2	2	0303857	CYL-SPADE 4BORE,23STRK
3	2	0307001	HYD TWIN CYL ASSY REAR OUTR
4	8	0400066	SCREW, 1/4"-20 X 3/4" HEX HD CAP
5	2	0400118	SCREW, 5/16-18 X 3/4" HEX HD CAP
6	8	0400126	SCREW, 3/8"-16 X 1" HEX HD CAP
7	4	0400139	SCREW, 3/8"-16 X 1-1/2" HEX SKT SET
8	4	0400392	NUT, 3/8"-16 NYLOK HEX
9	8	0400452	LOCKWASHER, 1/4" HELICAL
10	8	0400482	LOCKWASHER, 3/8" HELICAL
11	4	0703457	SHAFT, JACK CYLINDER, UPPER
12	2	0703458	SHAFT, JACK CYLINDER, LOWER
13	2	0705499	SHAFT, UPPER SPADE
14	2	0707117	SHAFT UPPER SPADE
15	2	0716141	COVER, OUTER HORIZ OUTRIGGER
16	2	0716644	SPACER, TOP
17	2	0716645	SPACER, BOTTOM
18	1	0804417	OUTER OUTRIGGER WELDMNT, LH REAR
19	1	0804418	OUTER OUTRIGGER WELDMNT, RH REAR
20	2	0804419	2ND STAGE BOOM WELDMNT
21	2	0804420	3RD STAGE OUTRIGGER BOOM WELDMNT
22	2	0805892	PAD REAR OUTRIGGER PAD
23	2	0906963	PIN, REAR OUTRIGGER PAD ASSY
--	1	0400044	10X1/2 DRIVE SCREW RD
--	1	0705525	CHAIN-SASH 20" LONG
--	1	0805893	PIN WELDMNT REAR OUTRIGGER PAD
--	1	HD1259	PIN-SNAPPER
--	1	0907026	KIT-SPADE & BLADE-ROT. R. OUTR
24	8	0400181	SCREW, 1/2"-13 X 1-1/2" HEX HD CAP
25	8	0400408	NUT, 1/2"-13 NYLOK HEX
26	2	0711972	BLADE-REAR OUTRIG SPADE
27	2	0805918	SPADE WELD'T REAR OUTRIG SHORT
28	2	0900910	PIN ASSY, JACK PAD

Section VI - PARTS (cont'd)

REAR OUTRIGGER HYDRAULICS



Section VI - PARTS (cont'd)

REAR OUTRIGGER HYDRAULICS

REF. NO.	NO. REQ'D	PART NUMBER	DESCRIPTION
1	4	0300040	CONNECTOR, 8MJ-8MP
2	4	0301696	ELBOW, 6MJ-6FJX90
3	1	0301762	CONTROL VALVE, VDP12DDDDDD10
4	4	0301778	CONNECTOR, 10MB-6MJ
5	4	0301816	45 DEG FIT-JACK CYL
6	4	0302032	PIPE BLK NIPPLE 1/2
7	1	0302296	CONTROL VALVE, VDP12CDD118
8	4	0302372	HOSE ASSEMBLY, 240"
9	1	0302334	CONTROL VALVE, VDP12CDCD10
10	4	0302509	FITTING, ELB 45 DEG
11	4	0302510	ADAPTER, 6MJ-6MBL
12	2	0302835	CLAMPING UNIT
13	2	0302836	SOCKET-HD STACKING NUT
14	4	0302837	SPLIT BUSHING 1"
15	4	0303174	CONNECTOR, 10MB-6FB
16	4	0303175	HOSE ASSEMBLY, 102"
17	28 FT.	0303193	BLACK SCUFF JACKET SJ16
18	2	0303857	CYL-SPADE 4BORE,23STRK
19	2	0307001	HYD TWIN CYL ASSY REAR OUTR

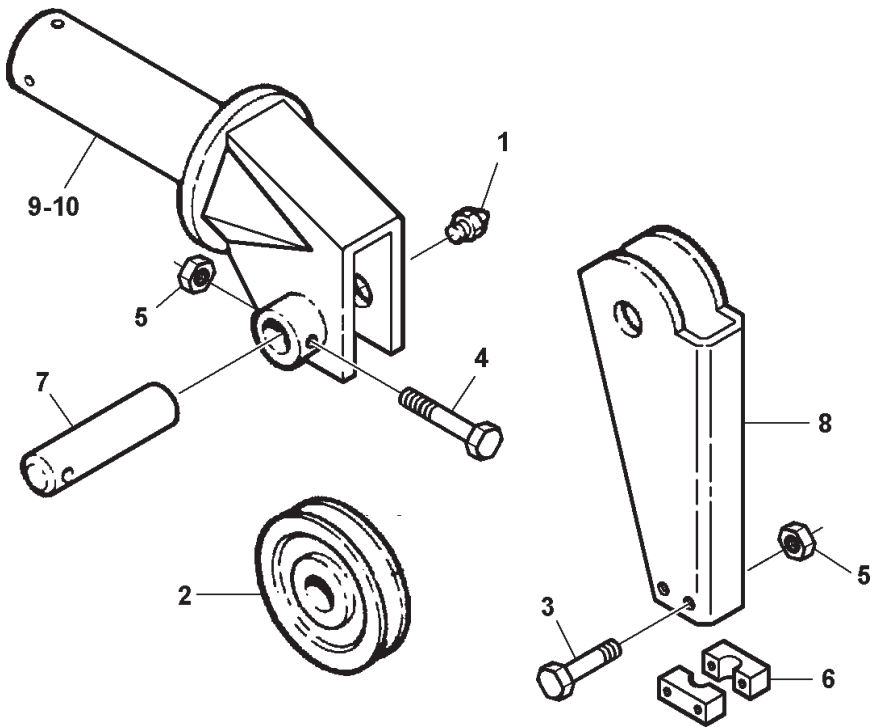
Section VI - PARTS (cont'd)

HYDRAULIC CYLINDERS

REF. NO.	NO. REQ'D	PART NUMBER	DESCRIPTION
1 --	1 --	HC0159 0304522	CYLINDER, UNDERLIFT LIFT SEAL KIT, UNDERLIFT LIFT CYLINDER
1 --	1 --	0303902 0304629	CYLINDER, UNDERLIFT TILT SEAL KIT, UNDERLIFT TILT CYLINDER
2 --	1 --	0303501 0304590	CYLINDER, UNDERLIFT EXTEND SEAL KIT, UNDERLIFT EXTEND CYLINDER
3 --	1 --	0306508 0304609	CYLINDER, UNDERLIFT FOLD SEAL KIT, UNDERLIFT FOLD CYLINDER
4 --	2 --	HC0129 HC0716	CYLINDER, 9909 BOOM LIFT SEAL KIT, 9909 BOOM LIFT CYLINDER
-- --	2 --	HC0158 0304605	CYLINDER, 8808 BOOM LIFT SEAL KIT, 8808 BOOM LIFT CYLINDER
5 --	1 --	HC0151 HC0727	CYLINDER, 9909 BOOM EXTEND SEAL KIT, 9909 BOOM EXTEND CYLINDER
-- --	1 --	HC0163 0304521	CYLINDER, 8808BOOM EXTEND SEAL KIT, 8808 BOOM EXTEND CYLINDER
6 --	2 --	0303688 0301353	CYLINDER, FRONT OUTRIGGER SPADE SEAL KIT, FRONT OUTRIGGER SPADE CYL.
7 --	2 --	0303550 0304594	CYLINDER, FRONT OUTRIGGER EXTEND SEAL KIT, FRONT OUTRIGGER EXTEND CYL.
8 --	2 --	0303857 0301353	CYLINDER, REAR OUTRIGGER VERTICAL SEAL KIT, REAR OUTRIGGER VERTICAL CYL.
9 --	2 --	0307001 0304674	CYLINDER, REAR OUTRIGGER EXTEND SEAL KIT, REAR OUTRIGGER EXTEND CYL.

Section VI - PARTS (cont'd)

BOOM SWIVEL ASSEMBLY



REF. NO.	NO. REQ'D	PART NUMBER	DESCRIPTION
--	2	0906537	BOOM SWIVEL ASSEMBLY (COMPLETE)
1	1	0300113	GREASE FITTING
2	1	0300311	SHEAVE, 10"
3	2	0400133	SCREW, 3/8"-16 X 3" HEX HD CAP
4	1	0400140	SCREW, 3/8"-16 X 4" HEX HD CAP
5	3	0400392	NUT, 3/8"-16 NYLOK HEX
6	2	0700511	CABLE GUIDE, BOTTOMS
7	1	0700563	HAFT, SHEAVE
8	1	0802027	CABLE GUIDE WELDMENT
9	1	0804451	SWIVEL WELDMENT

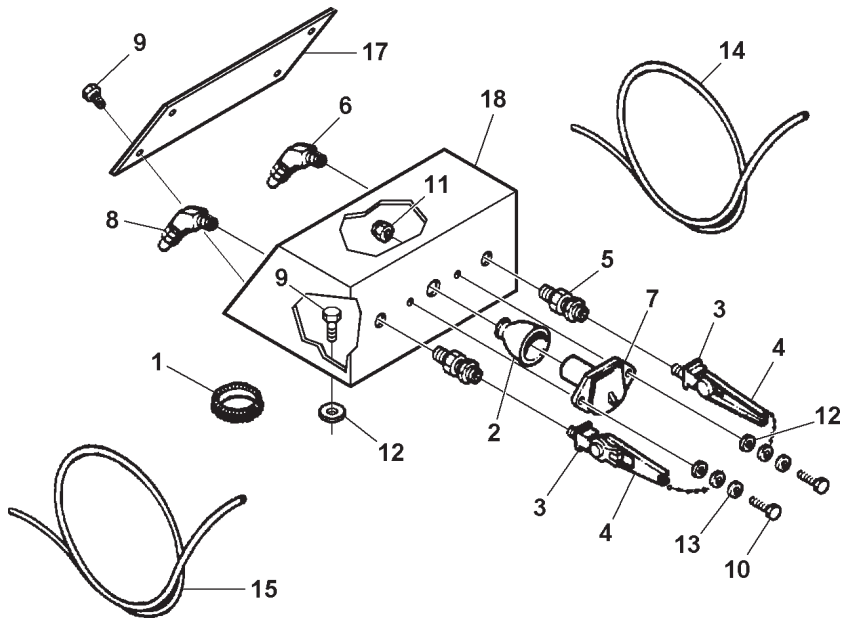
Section VI - PARTS (cont'd)

MODULAR LIGHT KIT

REF. NO.	NO. REQ'D	PART NUMBER	DESCRIPTION
1	1	0300076	LICENSE PLATE BRACKET
2	10	0300117	RUBBER GROMMET
3	1	0300273	LICENSE PLATE ILLUMINATOR
4	1	0300442	3-LIGHT BAR
5	9 FT.	0300844	3/4" X 1/8" CLOSED CELL SPONGE
6	2	0302201	BACKUP LIGHT
7	12	0302544	DOME LIGHT
8	2	0302611	LIGHT, AMBER OVAL
9	2	0306778	LIGHT, TAIL (LEFT)
10	2	0306779	LIGHT, TAIL (RIGHT)
11	40	0400045	SCREW, #10-32 X 1/2" THRD CUT RD SS
12	16	0402003	SCREW, #8-32 X 1-1/2" PH HD MACH SS

Section VI - PARTS (cont'd)

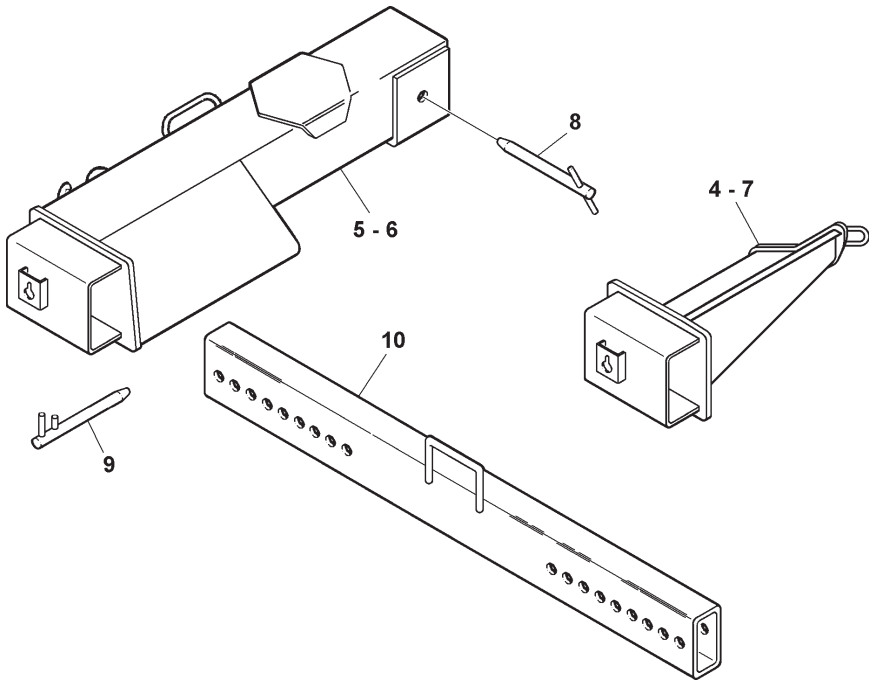
GLAD HAND ASSEMBLY



REF. NO.	NO. REQ'D	PART NUMBER	DESCRIPTION
1	1	0301862	CATERPILLER GROMMET
2	1	0301909	RECEPTACLE BOOT
3	2	0301944	GLAD HAND COUPLING
4	2	0301945	GLAD HAND PLUG
5	2	0301946	BULKHEAD CONNECTOR
6	1	0301947	ADAPTER, 1/4" NPM X 3/8" 45° SYN. HOSE
7	1	0301948	HD 7-WAY TRAILER CONNECTOR
8	1	0302534	ELBOW, 1/4" NPTM X 1/2" 45° SYN. HOSE
9	9	0400062	SCREW, 1/4"-20 X 3/4" HEX HD SELF-TAP
10	2	0400070	SCREW, 1/4"-20 X 1" HEX HEAD CAP
11	2	0400367	NUT, 1/4"-20 NYLOK HEX
12	6	0400451	FLATWASHER, 1/4"
13	2	0400463	FLATWASHER, 5/16"
14	1	0703795	HOSE, 3/8" X 4 FT. SYNTHETIC
15	1	0706925	HOSE, 1/2" X 4 FT. SYNTHETIC
16	1	0710003	SUPPORT, GLAD HAND BOX (Not Shown)
17	1	0710444	LID, GLAD HAND HOUSING
18	1	0802151	GLAD HAND HOUSING

Section VI - PARTS (cont'd)

TRUCK WHEEL LIFT



REF. NO.	NO. REQ'D	PART NUMBER	DESCRIPTION
1	2	0301932	5/16" X 12' H.T. CHAIN ASSEMBLY (N.S.)
2	2	0303150	RATCHET W/ HOOK (N.S.)
3	2	0303680	TIE-DOWN STRAP, ADJUSTABLE (N.S.)
4	1	0802839	TIRE SUPPORT RIGHT
5	1	0802841	OUTER CROSSTUBE LEFT
6	1	0802842	OUTER CROSSTUBE RIGHT
7	1	0802877	TIRE SUPPORT LEFT
8	2	0902947	CROSSTUBE RETAINER PIN
9	4	0903089	RETAINER PIN
10	2	0903480	ADJUSTMENT TUBE
11	2	CH0100	5/16" HOOK W/ PIN (N.S.)

CHALLENGER[®]

Miller Industries Towing Equipment Inc.

8503 Hilltop Drive • Ooltewah, Tennessee 37363 • (423) 238-4171

www.millerind.com